



US00D682634S

(12) **United States Design Patent**
Datavs

(10) **Patent No.:** **US D682,634 S**
(45) **Date of Patent:** **** May 21, 2013**

(54) **RECESSED CUTTING BOARD**
(71) Applicant: **William V. Datavs**, Lombard, IL (US)
(72) Inventor: **William V. Datavs**, Lombard, IL (US)
(**) Term: **14 Years**
(21) Appl. No.: **29/440,425**
(22) Filed: **Dec. 21, 2012**
(51) **LOC (9) Cl.** **07-04**
(52) **U.S. Cl.**
USPC **D7/698**
(58) **Field of Classification Search** D6/349,
D6/675; D7/354, 357-360, 368, 388, 392.1,
D7/396.1, 409, 412, 505, 549, 550.1, 552.1-552.2,
D7/553.1, 553.5, 553.8, 554.3-554.4, 555,
D7/586, 637, 673, 698-699; D19/37; D21/485;
D30/161; D32/57; 4/583; 33/563; 99/324,
99/357, 446-450; 119/165; 126/221; 269/13-16,
269/87.2, 289 R, 302.1, 575
See application file for complete search history.

D464,237 S 10/2002 Kaposi
6,478,292 B1 * 11/2002 Sellers 269/289 R
D473,112 S 4/2003 de Groote
6,702,273 B1 * 3/2004 Sellers 269/289 R
6,910,685 B2 * 6/2005 Sellers 269/289 R
D514,765 S * 2/2006 Dretzka D32/57
D549,531 S * 8/2007 Kishbaugh et al. D7/698
D562,589 S * 2/2008 Mellon D6/449
7,325,325 B2 * 2/2008 Gleeson 33/563
D571,608 S * 6/2008 Yeung D7/388
D581,120 S * 11/2008 Sofy et al. D32/57
D581,726 S * 12/2008 Shamoon D7/388
D583,199 S * 12/2008 Johnson et al. D7/698
7,621,233 B2 * 11/2009 Dukes et al. 119/165
D631,104 S * 1/2011 With D21/485
D667,681 S * 9/2012 Carsten D7/359
D675,259 S * 1/2013 Chang D19/37

FOREIGN PATENT DOCUMENTS

WO WO 2009079882 A1 * 7/2009

* cited by examiner

Primary Examiner — Ricky Pham
(74) *Attorney, Agent, or Firm* — Montgomery Patent & Design; Robert C. Montgomery

(56) **References Cited**

U.S. PATENT DOCUMENTS

1,819,660 A * 8/1931 Stone 99/446
D91,912 S * 4/1934 Stone D7/359
RE20,924 E * 11/1938 Nickle 126/221
D183,298 S * 8/1958 Browne D7/409
3,418,668 A * 12/1968 Anderson et al. 4/583
4,291,616 A * 9/1981 Taylor 99/446
D270,703 S * 9/1983 El-Hag et al. D7/357
D289,095 S * 3/1987 Chiodo et al. D30/161
D348,809 S * 7/1994 Ladwig D7/698
5,366,208 A 11/1994 Benjamin
D360,767 S * 8/1995 Fish et al. D6/349
5,527,022 A 6/1996 Gibson
5,860,641 A 1/1999 Heath
D435,149 S * 12/2000 Kleinberg D30/161

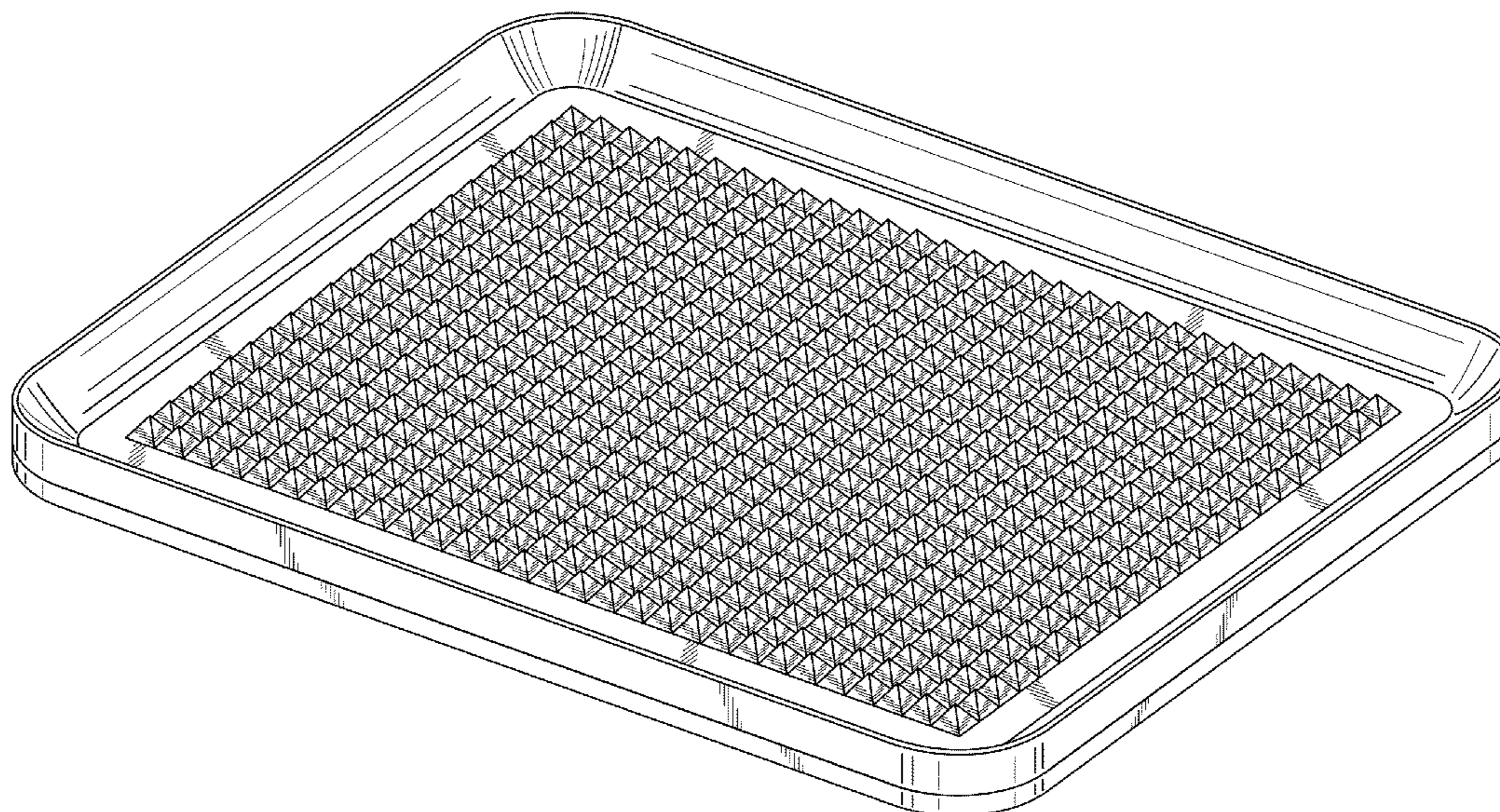
(57) **CLAIM**

The ornamental design for a recessed cutting board, as shown and described.

DESCRIPTION

FIG. 1 is a perspective view of a recessed cutting board, showing my new design;
FIG. 2 is a front view thereof, with a rear view being a mirror image;
FIG. 3 is a left view thereof, with a right view being a mirror image;
FIG. 4 is a top view thereof; and,
FIG. 5 is a bottom view thereof.

1 Claim, 5 Drawing Sheets



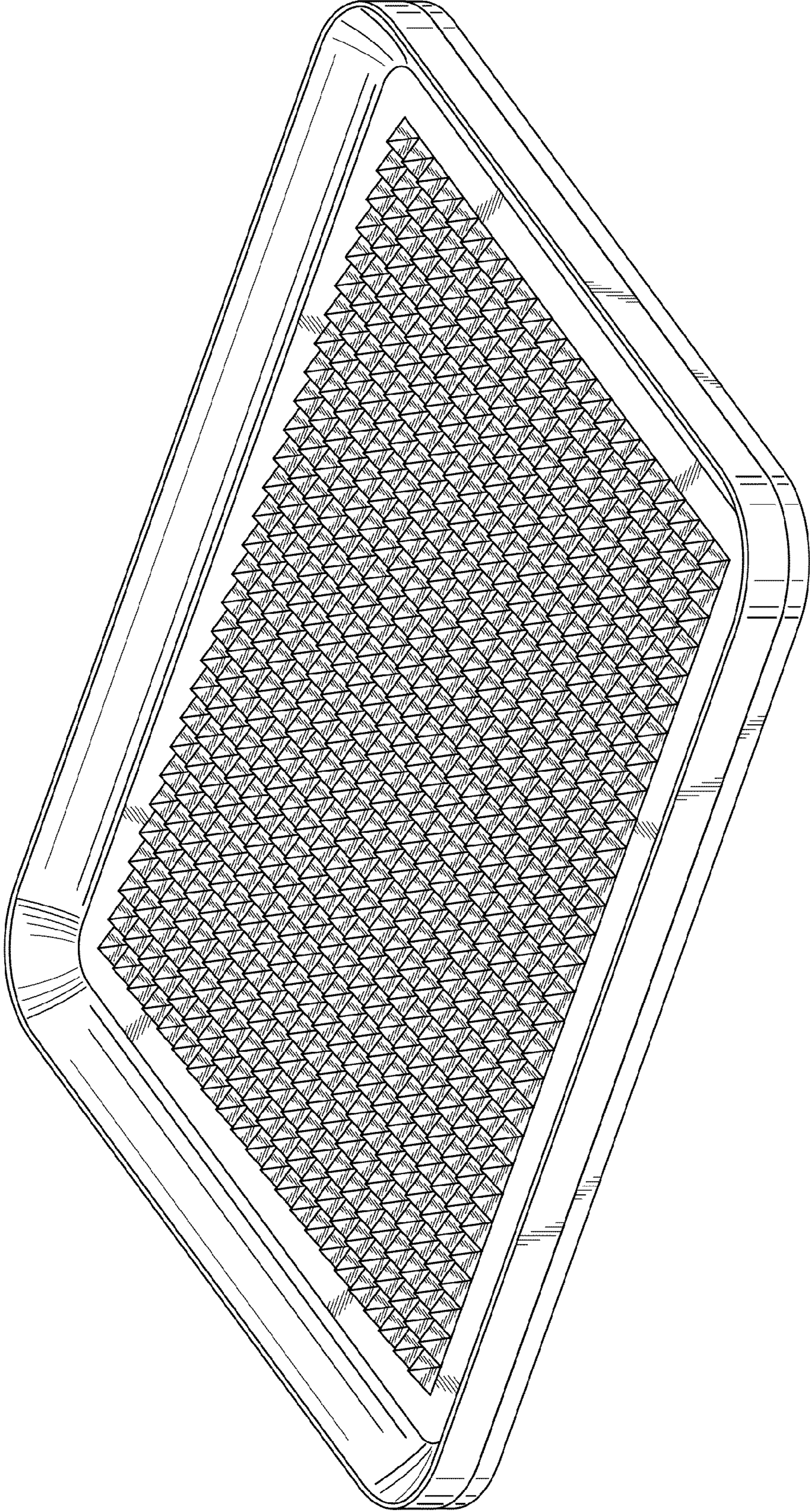


Fig. 1

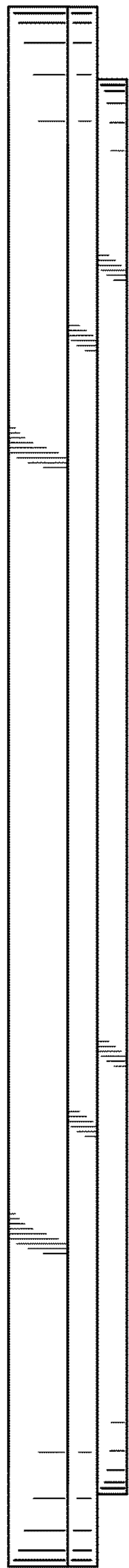


Fig. 2

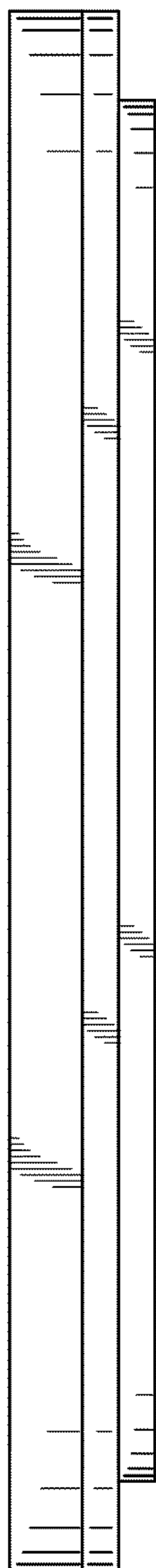


Fig. 3

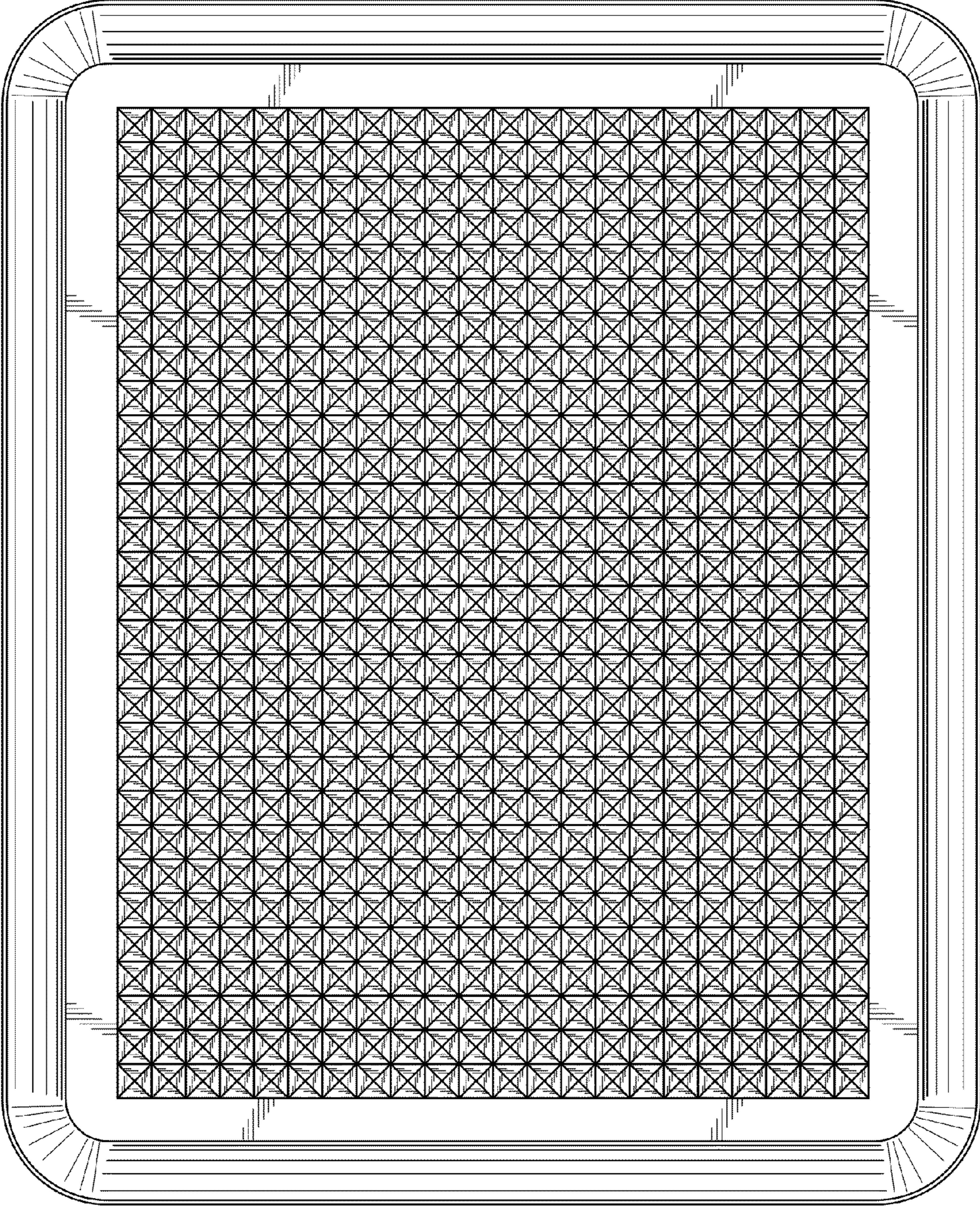


Fig. 4

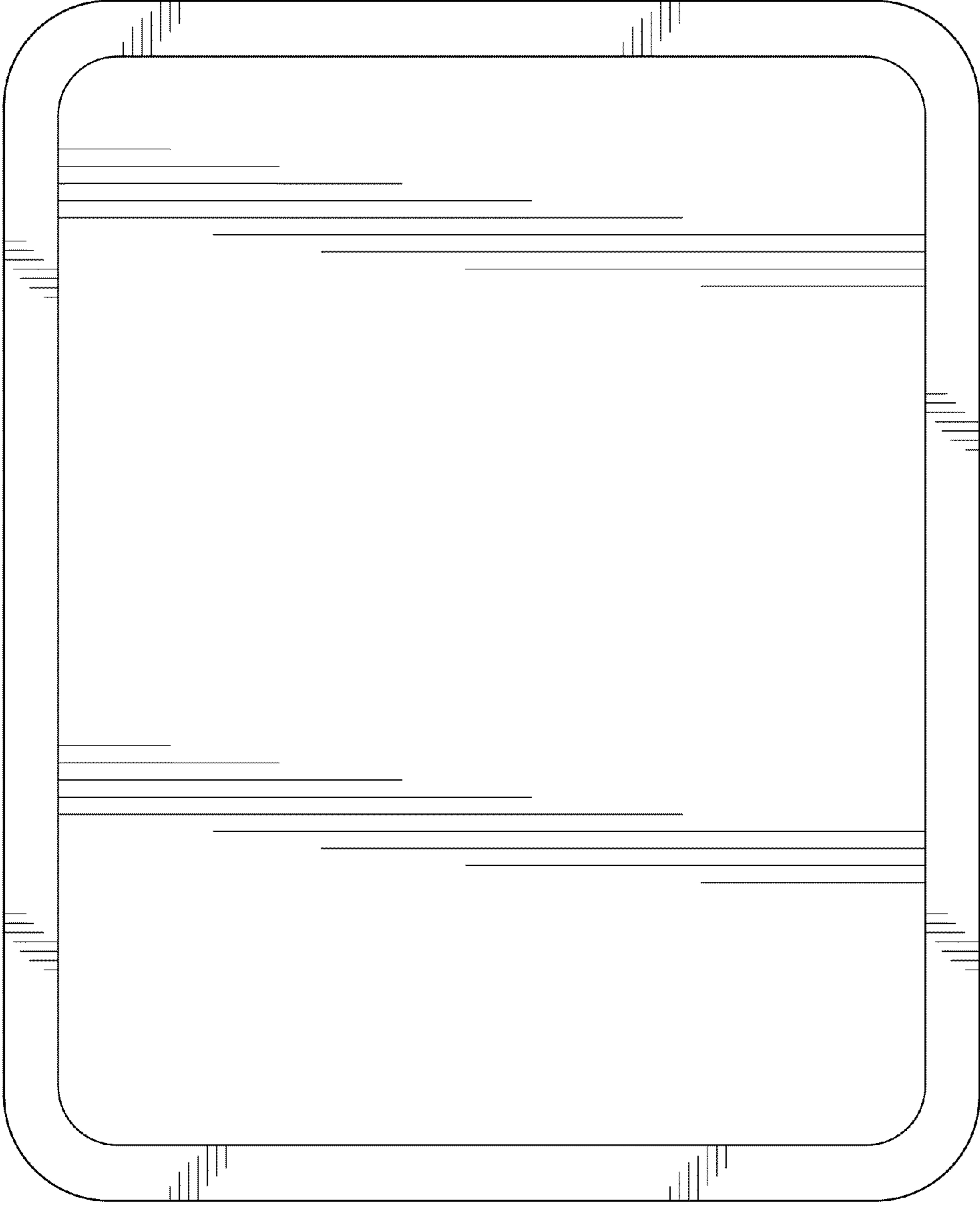


Fig. 5