



US00D682633S

(12) **United States Design Patent**
Evans

(10) **Patent No.:** **US D682,633 S**
(45) **Date of Patent:** **** May 21, 2013**

(54) **INDEX ADVANCED GREY CHOPPING BOARD SET**

(75) Inventor: **Damian Evans**, London (GB)

(73) Assignee: **Joseph Joseph Ltd.**, London (GB)

(**) Term: **14 Years**

(21) Appl. No.: **29/394,782**

(22) Filed: **Jun. 21, 2011**

Related U.S. Application Data

(63) Continuation of application No. 29/381,352, filed on Dec. 17, 2010, now Pat. No. Des. 665,635.

(30) **Foreign Application Priority Data**

Jun. 21, 2010 (EM) 0012209330001

(51) **LOC (9) Cl.** **07-04**

(52) **U.S. Cl.**
USPC **D7/698**; D7/699

(58) **Field of Classification Search** D7/354,
D7/359-360, 388, 392.1, 396.1, 409, 412,
D7/505, 546, 550.1, 552.1-552.2, 553.1,
D7/553.5, 553.8, 554.3-554.4, 555, 586,
D7/637, 673, 698-699; D10/96; 4/514;
83/42, 167, 454, 762-764, 870-875; 99/324,
99/357, 449-450; 269/13, 15-16, 289 R,
269/302.1, 575; 452/16

See application file for complete search history.

(56) **References Cited**

U.S. PATENT DOCUMENTS

1,462,717 A * 7/1923 Maus 269/13
2,398,192 A * 4/1946 Scheminger, Jr. 83/762
2,802,267 A * 8/1957 Lackrie 83/875

3,058,503 A * 10/1962 Perakis 83/764
3,452,795 A * 7/1969 Davies 83/762
3,583,026 A * 6/1971 Peoni 452/16
3,971,273 A * 7/1976 Peters et al. 83/42
4,085,642 A * 4/1978 Birmingham 83/764
D248,019 S * 5/1978 Scheid D10/96
D255,634 S * 7/1980 Zuck D7/673
4,807,505 A * 2/1989 Campbell et al. 83/454
4,964,323 A * 10/1990 Fortney 83/167
D315,275 S * 3/1991 Aziz et al. D7/673
D348,591 S * 7/1994 Willis D7/698
D362,374 S * 9/1995 Roach D7/673
D378,978 S * 4/1997 Frye et al. D7/673
5,680,803 A * 10/1997 Vizurraga et al. 83/762
5,724,877 A * 3/1998 Kensrue 83/870
6,237,459 B1 * 5/2001 Brown 83/762
7,059,231 B2 * 6/2006 Graham 83/764
7,721,362 B2 * 5/2010 Martin et al. 4/514
D616,700 S * 6/2010 Pourounidis et al. D7/388
D623,029 S * 9/2010 Russell et al. D7/698
D630,478 S * 1/2011 Bell D7/698
D665,635 S * 8/2012 Evans D7/698
2009/0049596 A1 * 2/2009 Ferris 4/514

* cited by examiner

Primary Examiner — Ricky Pham

(74) *Attorney, Agent, or Firm* — Millen, White, Zelano & Branigan, P.C.

(57) **CLAIM**

The ornamental design for an index advanced grey chopping board set, as shown and described.

DESCRIPTION

FIG. 1 is a perspective view of the index advanced grey chopping board set; and,

FIG. 2 is a front view thereof.

The broken lines shown in the drawings are for illustrative purposes only and form no part of the claimed design.

1 Claim, 2 Drawing Sheets

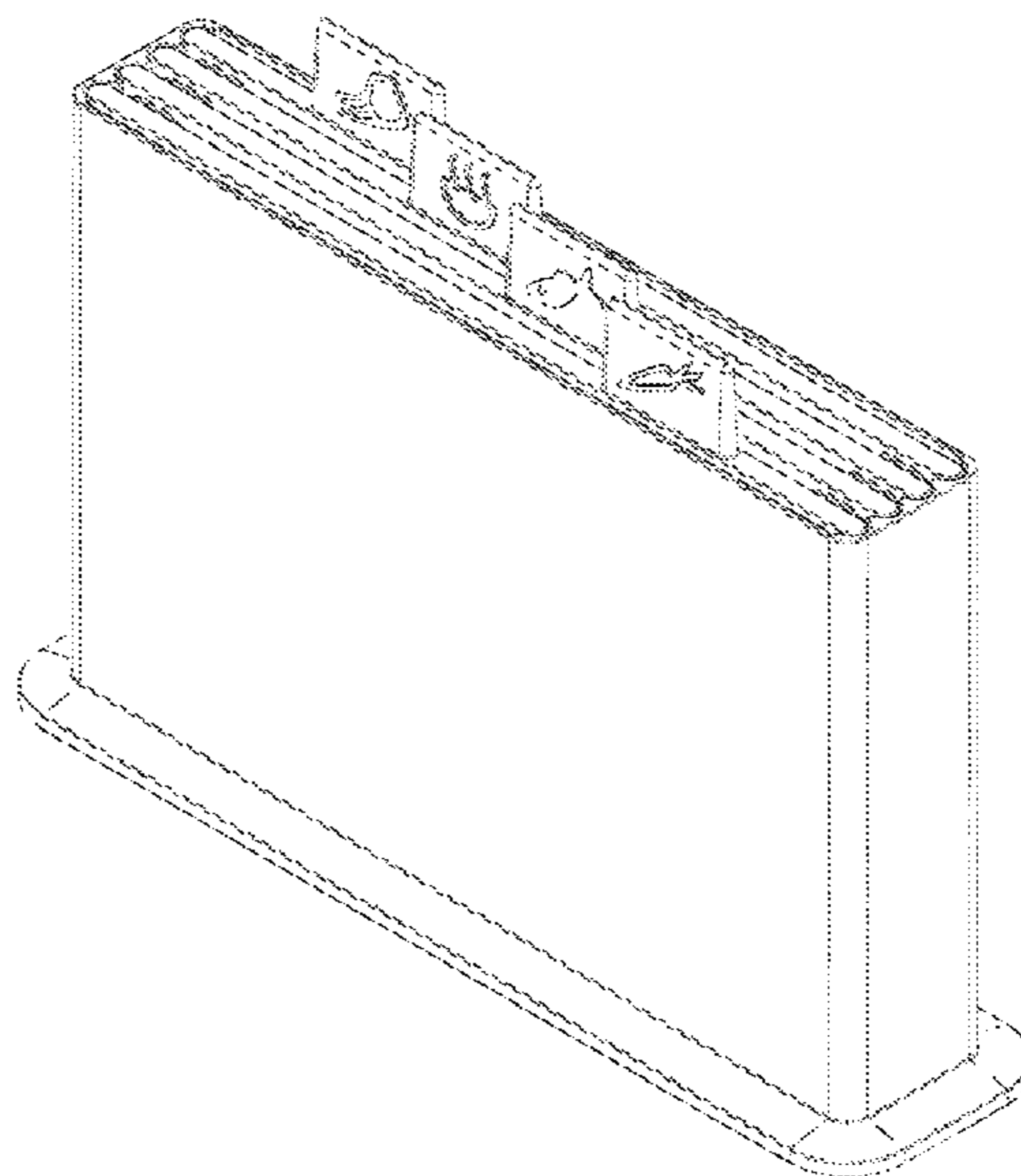


Figure 1

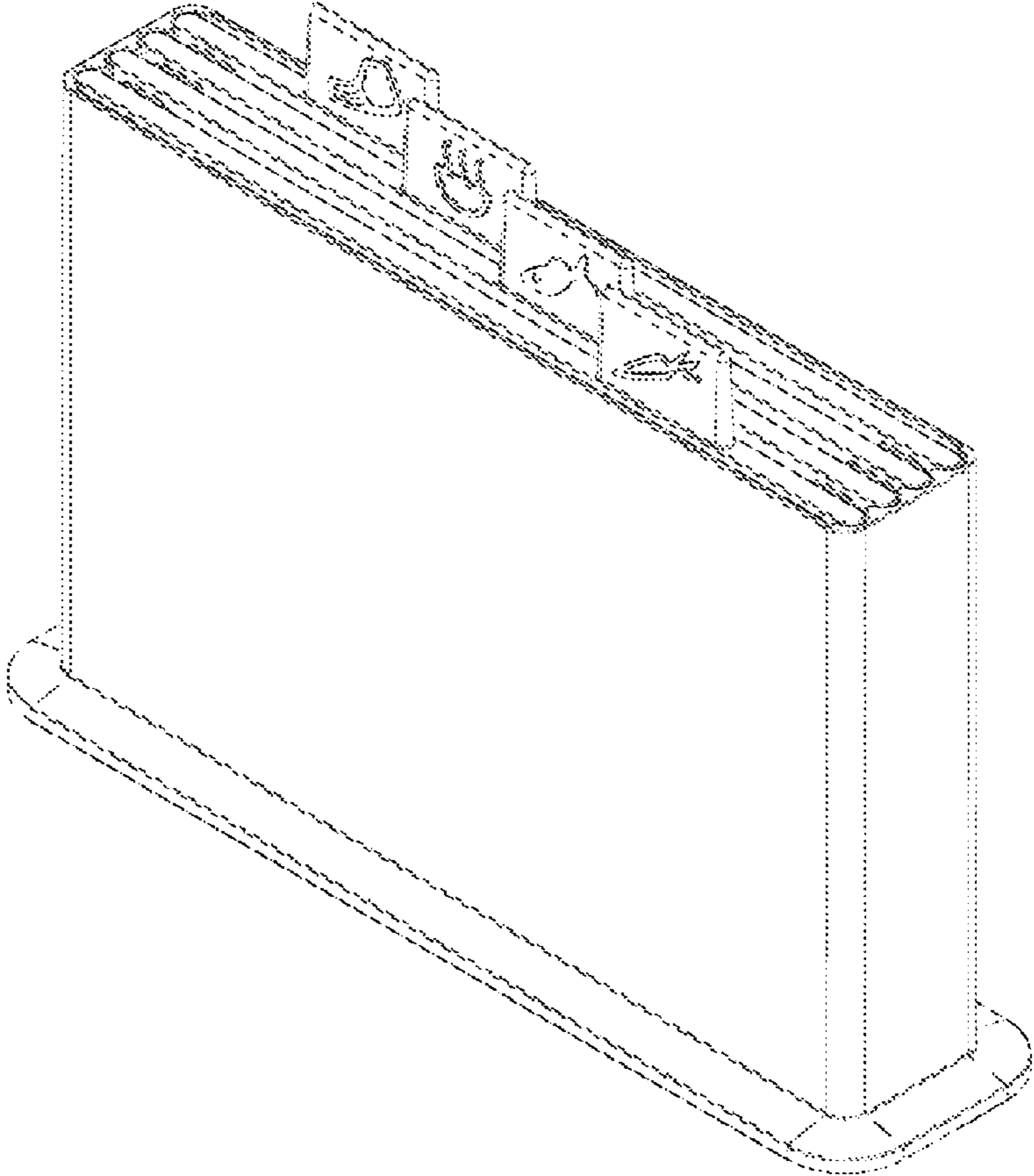


Figure 2

