



US00D682630S

(12) **United States Design Patent**
Balcerzak

(10) **Patent No.:** **US D682,630 S**

(45) **Date of Patent:** **** May 21, 2013**

(54) **SKEWER DEVICE**

(76) **Inventor:** **Stephen Balcerzak, Waterloo (CA)**

(**) **Term:** **14 Years**

(21) **Appl. No.:** **29/418,749**

(22) **Filed:** **Apr. 20, 2012**

(51) **LOC (9) Cl.** **07-06**

(52) **U.S. Cl.**
USPC **D7/683; D7/381**

(58) **Field of Classification Search** D7/642,
D7/368, 669, 691, 401.2, 412, 683, 684, 381;
30/164.8, 142, 1, 358, 164.5; D8/14, 15
See application file for complete search history.

(56) **References Cited**

U.S. PATENT DOCUMENTS

D189,441	S	*	12/1960	Bonnell	D7/683
3,078,787	A	*	2/1963	Arseneault	99/419
3,590,726	A		7/1971	Warner		
4,598,690	A		7/1986	Hsu		
4,724,753	A		2/1988	Neyman et al.		
D332,033	S	*	12/1992	Balibrea	D7/683
5,518,127	A		5/1996	Warmack et al.		
5,650,085	A		7/1997	Chen		
D411,084	S	*	6/1999	Roychowdhury	D7/684
D479,444	S	*	9/2003	Conigliaro	D7/683
D484,756	S	*	1/2004	Conigliaro	D7/683
6,877,232	B2	*	4/2005	Harmon et al.	30/322
D513,573	S	*	1/2006	Settele	D7/683
D524,124	S	*	7/2006	Tashjian	D7/683

D526,861	S	*	8/2006	Moore	D7/684
D592,916	S	*	5/2009	Mazzetta et al.	D7/683
D622,557	S	*	8/2010	Kerulis et al.	D7/683
D640,087	S	*	6/2011	Tanaka	D7/368

* cited by examiner

Primary Examiner — Ian Simmons

Assistant Examiner — Eleni H Aldridge

(74) *Attorney, Agent, or Firm* — Niro Haller & Niro

(57) **CLAIM**

The ornamental design for a skewer device, as shown and described.

DESCRIPTION

FIG. 1 is an isometric view of an embodiment of the skewer device;

FIG. 2 is another isometric view of the skewer device;

FIG. 3 is a left side view thereof, the right side being a mirror image of the left side;

FIG. 4 is a view of a first end thereof;

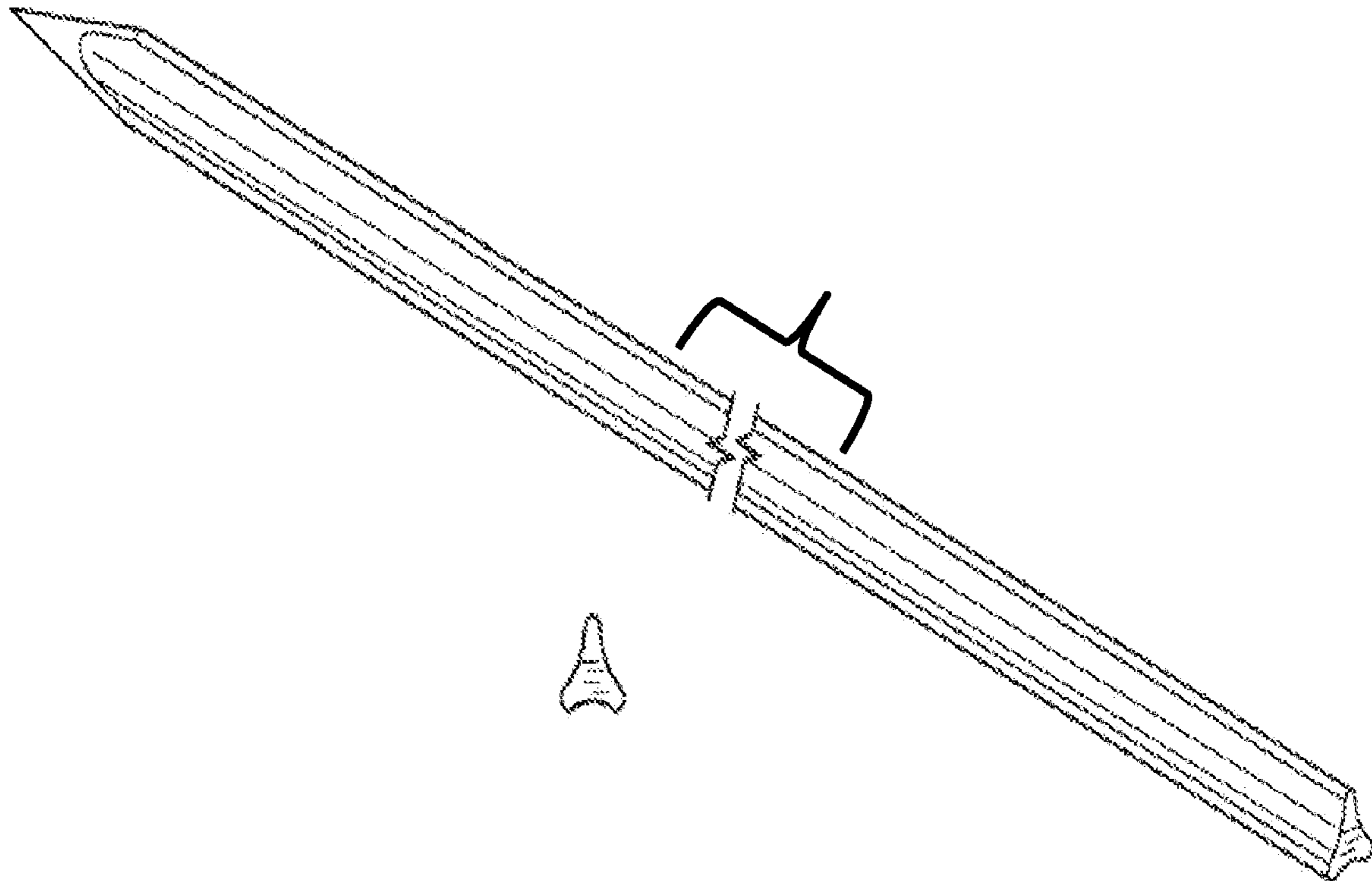
FIG. 5 is a view of a second end thereof;

FIG. 6 is a view of a first side thereof; and,

FIG. 7 is a view of a second side thereof.

The skewer device is shown in FIGS. 1-3, 6, and 7 with portions broken in the middle to indicate no indeterminate length. It is understood that the portions of the skewer device not shown forms no part of the claimed design, and patentability is based only on those portions of the article of the skewer device shown in solid lines.

1 Claim, 3 Drawing Sheets



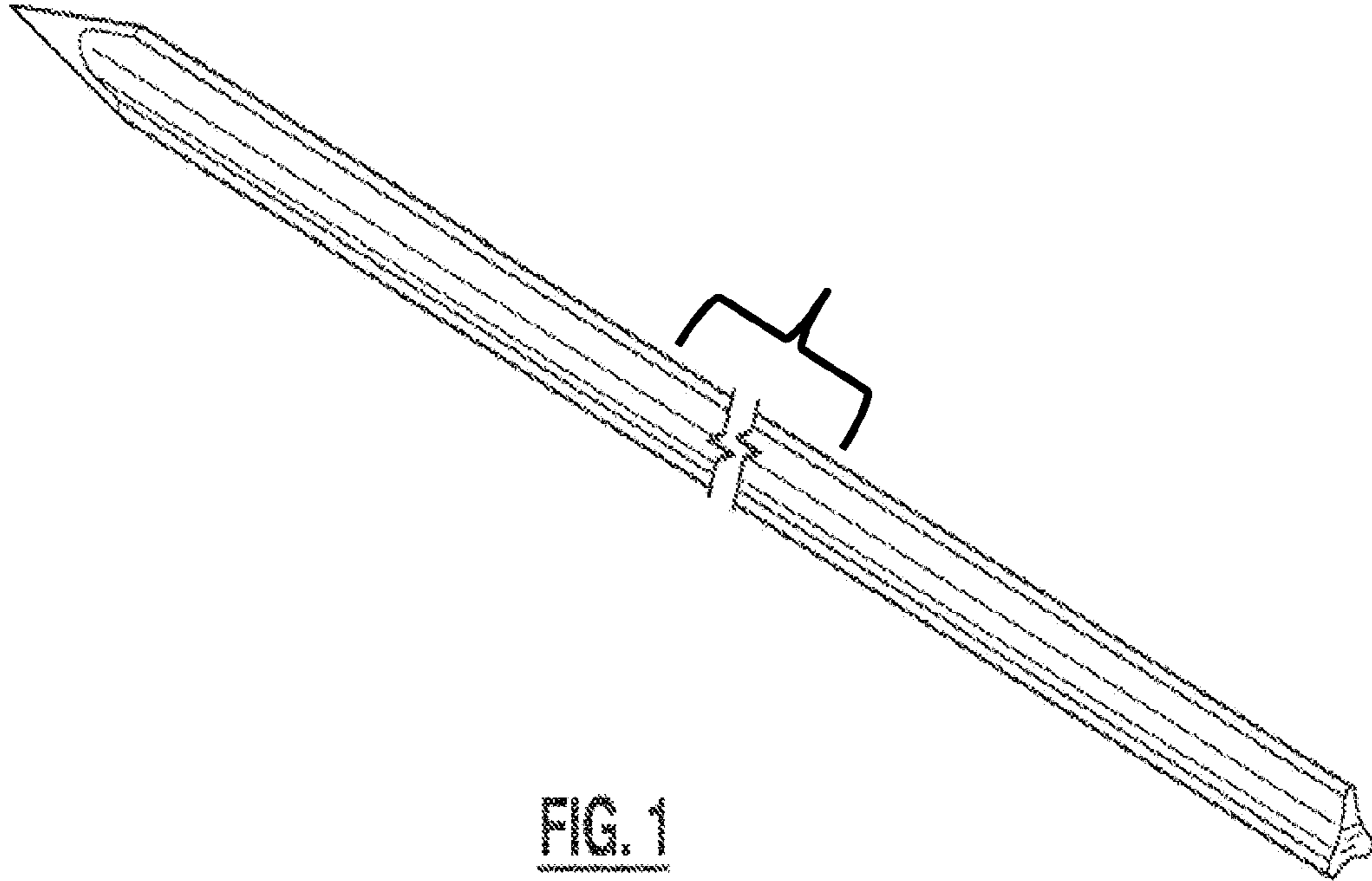


FIG. 1

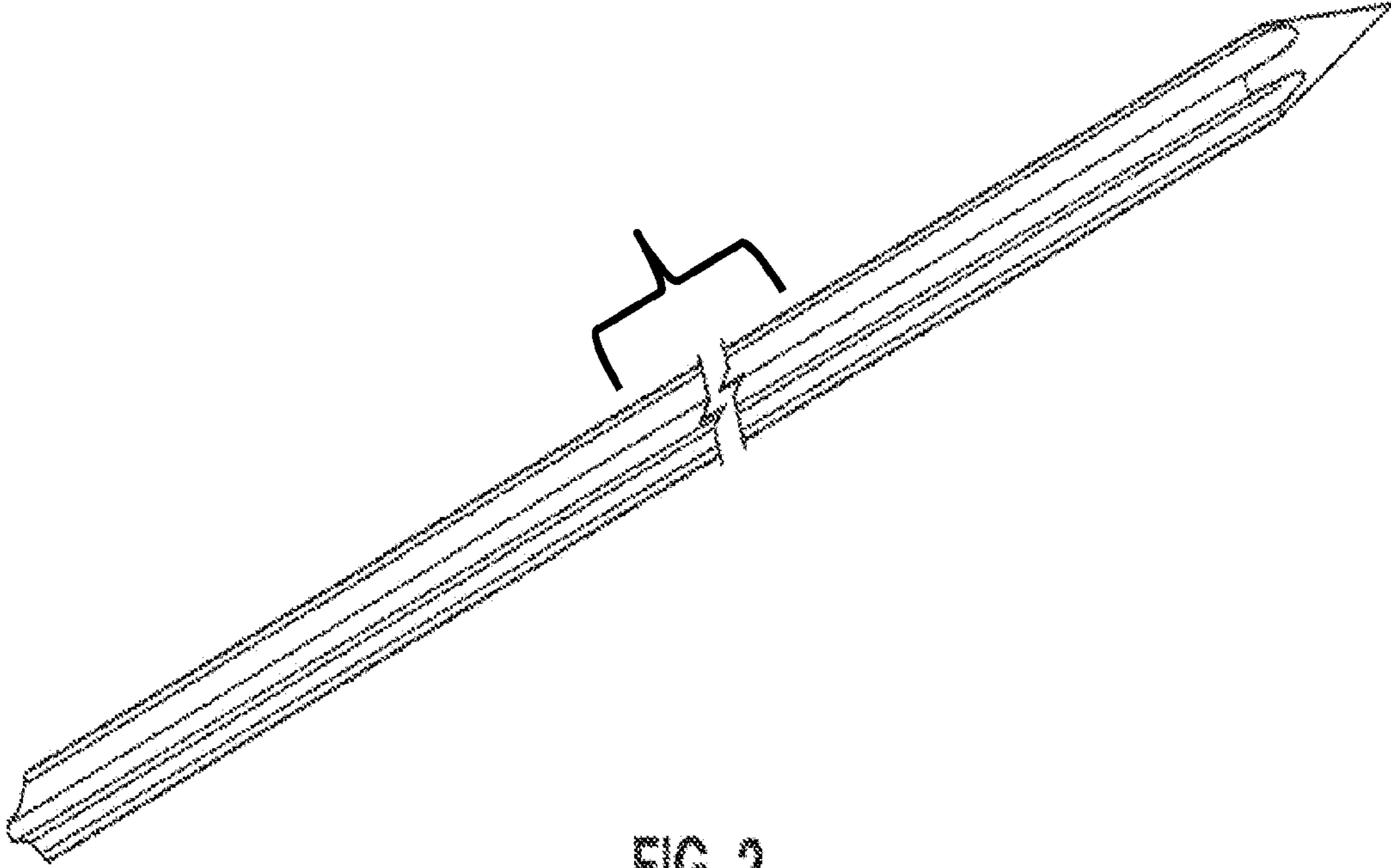


FIG. 2

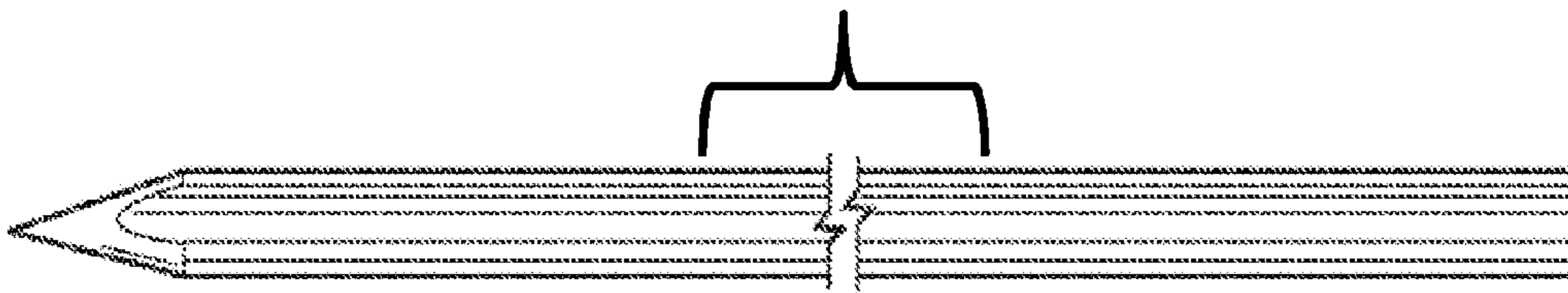


FIG. 3



FIG. 4

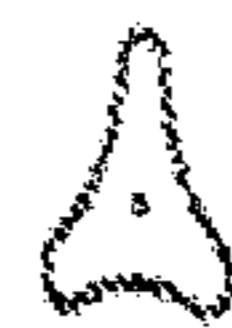


FIG. 5

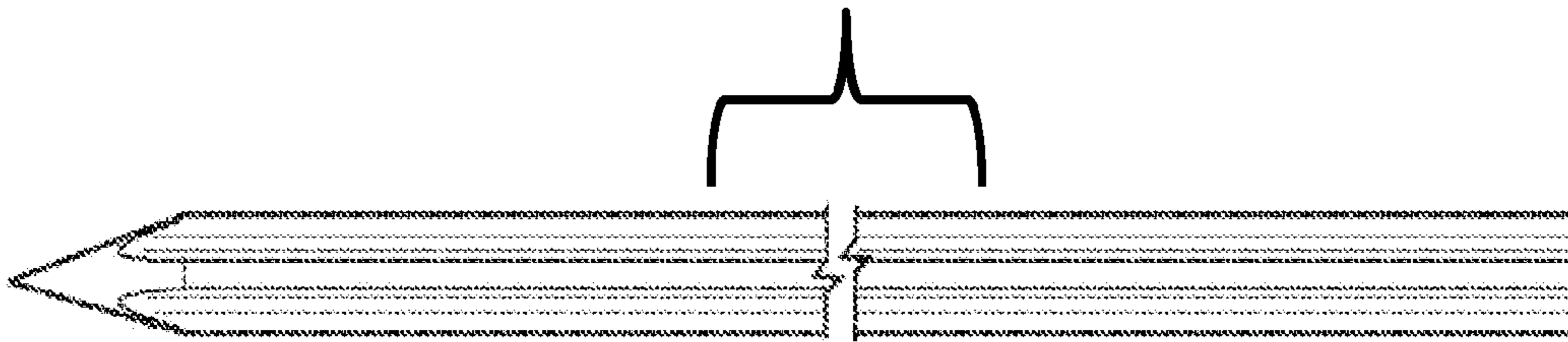


FIG. 6

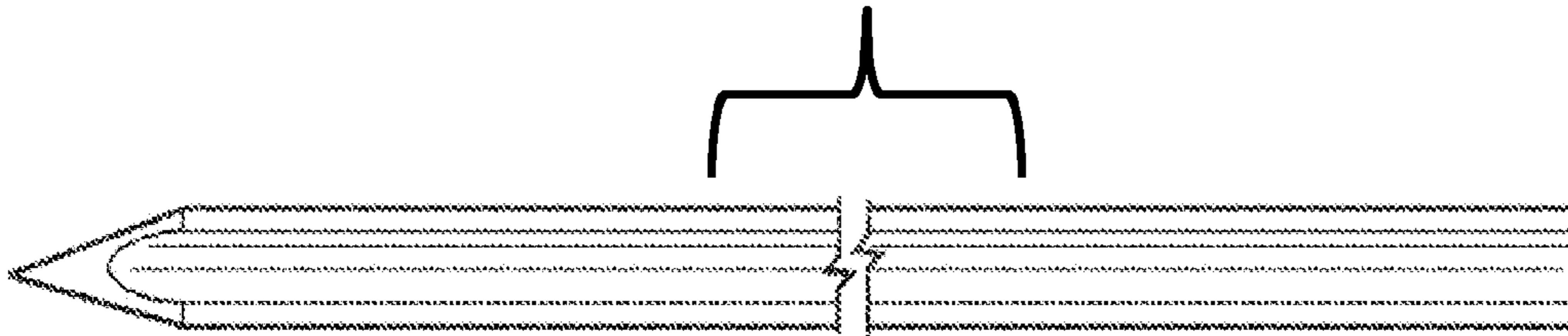


FIG. 7