



US00D682629S

(12) **United States Design Patent**
Bachmann et al.

(10) **Patent No.:** **US D682,629 S**

(45) **Date of Patent:** **** May 21, 2013**

(54) **JUICER**

(75) Inventors: **Christine Bachmann**, Frankfurt (DE);
Udo Bady, Steinbach (DE); **Oliver**
Grabes, Frankfurt (DE); **Rory**
McGarry, Frankfurt (DE); **Franziska**
Schmid, Frankfurt (DE); **Wolfgang**
Stegmann, Frankfurt (DE); **Phong Duy**
Vu, Schwalbach (DE); **Sven Wuttig**,
Griesheim (DE)

(73) Assignee: **BRAUN GmbH**, Kronberg (DE)

(**) Term: **14 Years**

(21) Appl. No.: **29/382,767**

(22) Filed: **Jan. 7, 2011**

(51) **LOC (9) Cl.** **07-04**

(52) **U.S. Cl.**
USPC **D7/665**

(58) **Field of Classification Search** D7/300,
D7/306, 310, 312, 368, 372-374, 386, 665;
99/495, 506-510; 100/111, 125, 133
See application file for complete search history.

(56) **References Cited**

U.S. PATENT DOCUMENTS

D164,220 S * 8/1951 Dale D7/373
D341,984 S * 12/1993 Nurmesniemi D7/300
5,479,851 A * 1/1996 McClean et al. 99/512

D501,370 S * 2/2005 Hensel et al. D7/665
D511,269 S * 11/2005 MacWilliam D7/372
D512,882 S * 12/2005 Hsu D7/665
D513,943 S * 1/2006 Hsu D7/665
D516,407 S * 3/2006 Grutzke et al. D8/311
D538,116 S * 3/2007 Siu D7/665
D577,538 S * 9/2008 Suh et al. D7/393
D604,094 S * 11/2009 De Pra' D7/372
D612,705 S * 3/2010 Baker et al. D8/311
D642,042 S * 7/2011 Kim et al. D8/311

* cited by examiner

Primary Examiner — Ian Simmons

Assistant Examiner — Dana L Meyrow

(74) *Attorney, Agent, or Firm* — Kim William Zerby; David
Kent Mattheis

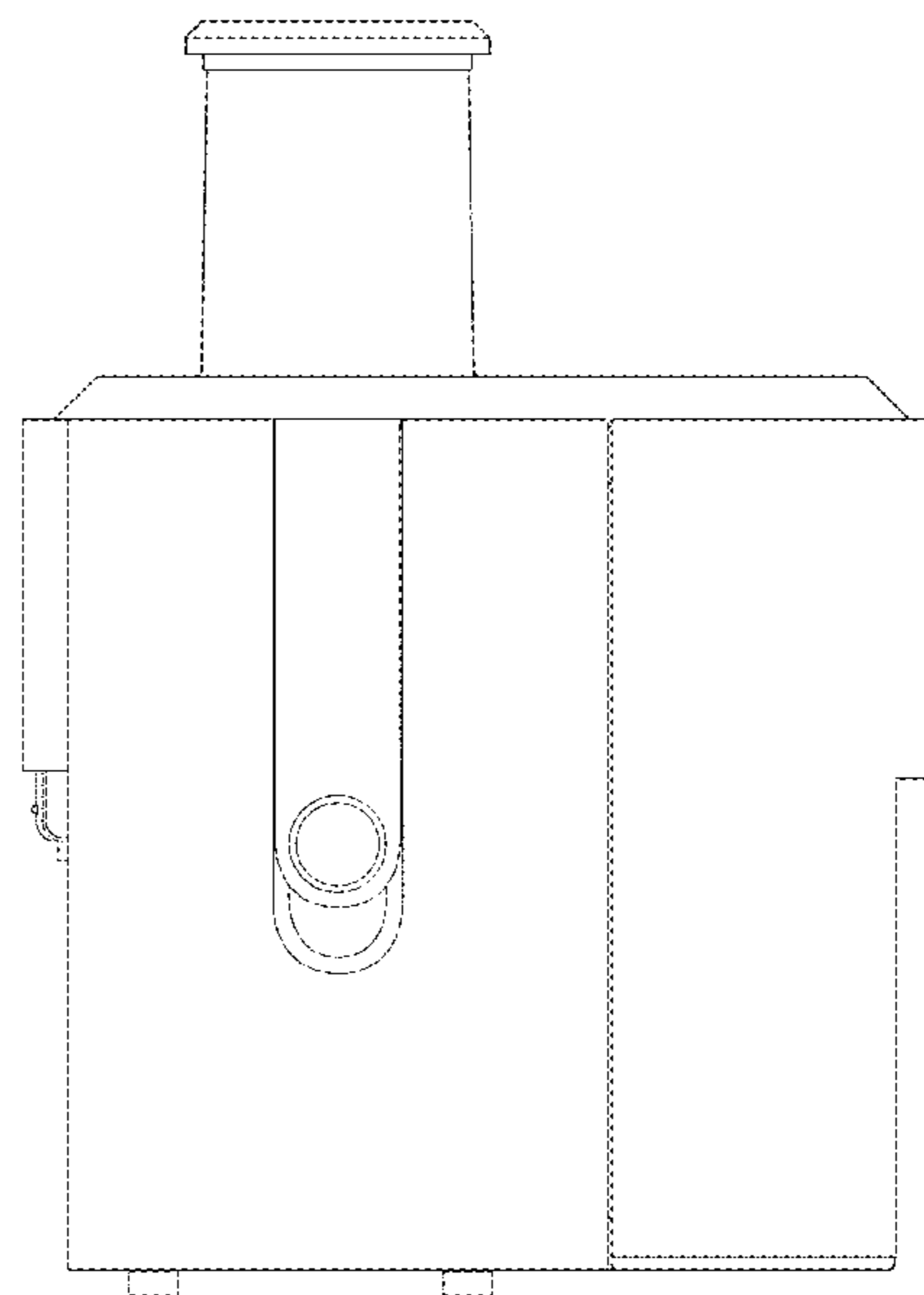
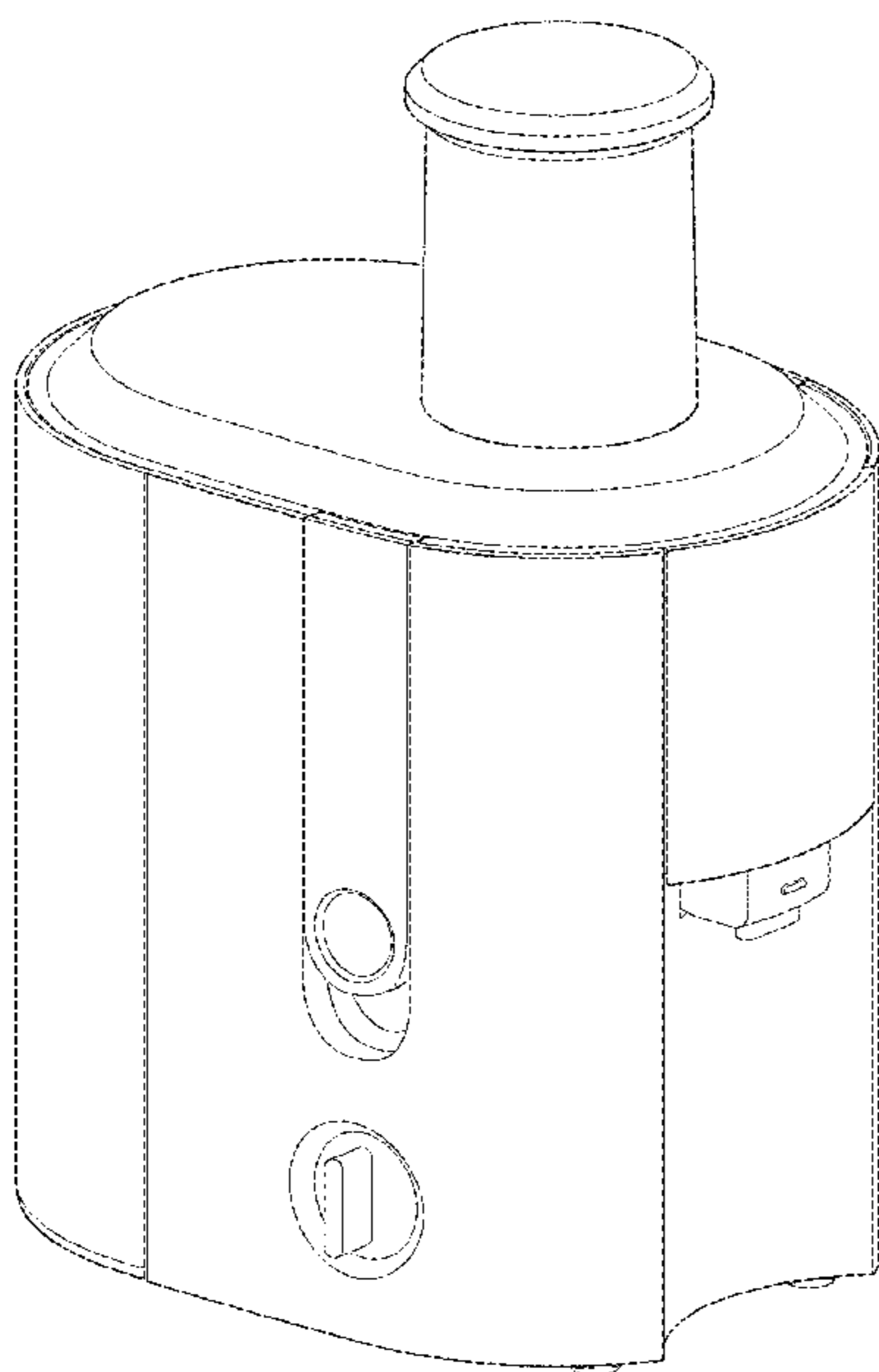
(57) **CLAIM**

The ornamental design for a juicer, as shown and described
above.

DESCRIPTION

FIG. 1 is a perspective view of a juicer;
FIG. 2 is a front view thereof;
FIG. 3 is a right side view thereof;
FIG. 4 is a rear view thereof;
FIG. 5 is a left side view thereof; and,
FIG. 6 is a top plan view thereof.
The broken lines in the drawings illustrate the portions of the
design that form no part of the claim.

1 Claim, 6 Drawing Sheets



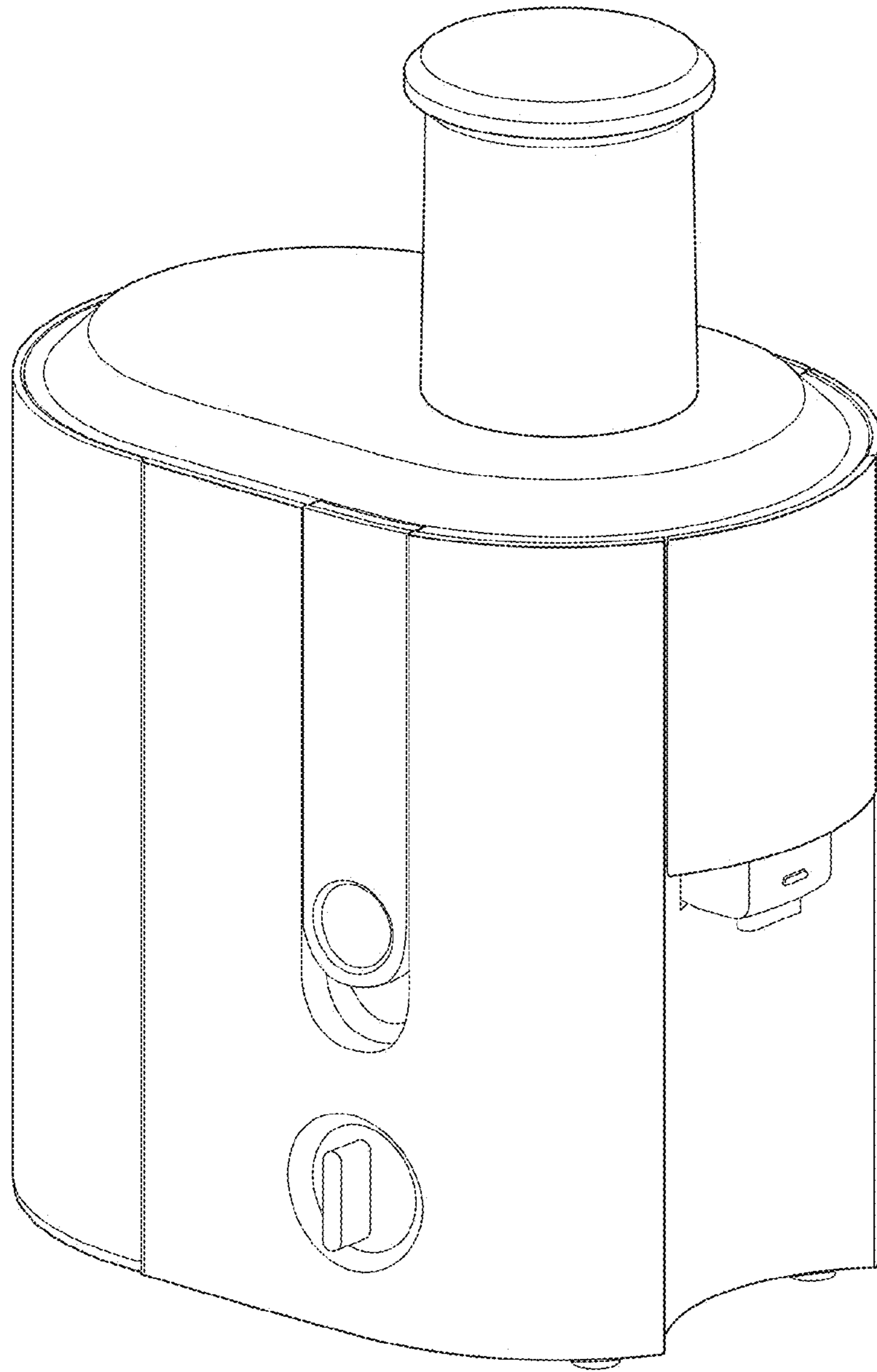


Fig. 1

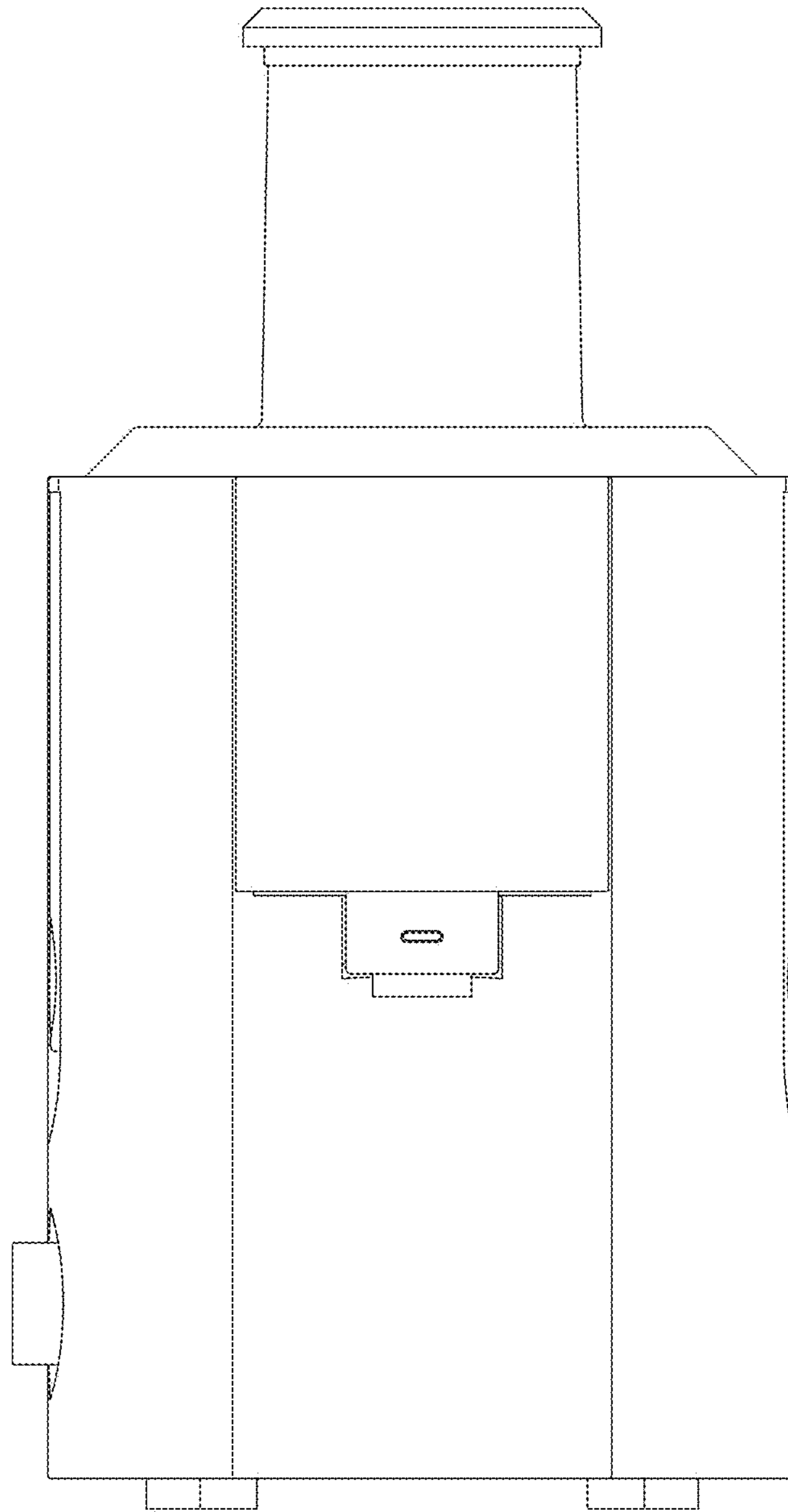


Fig. 2

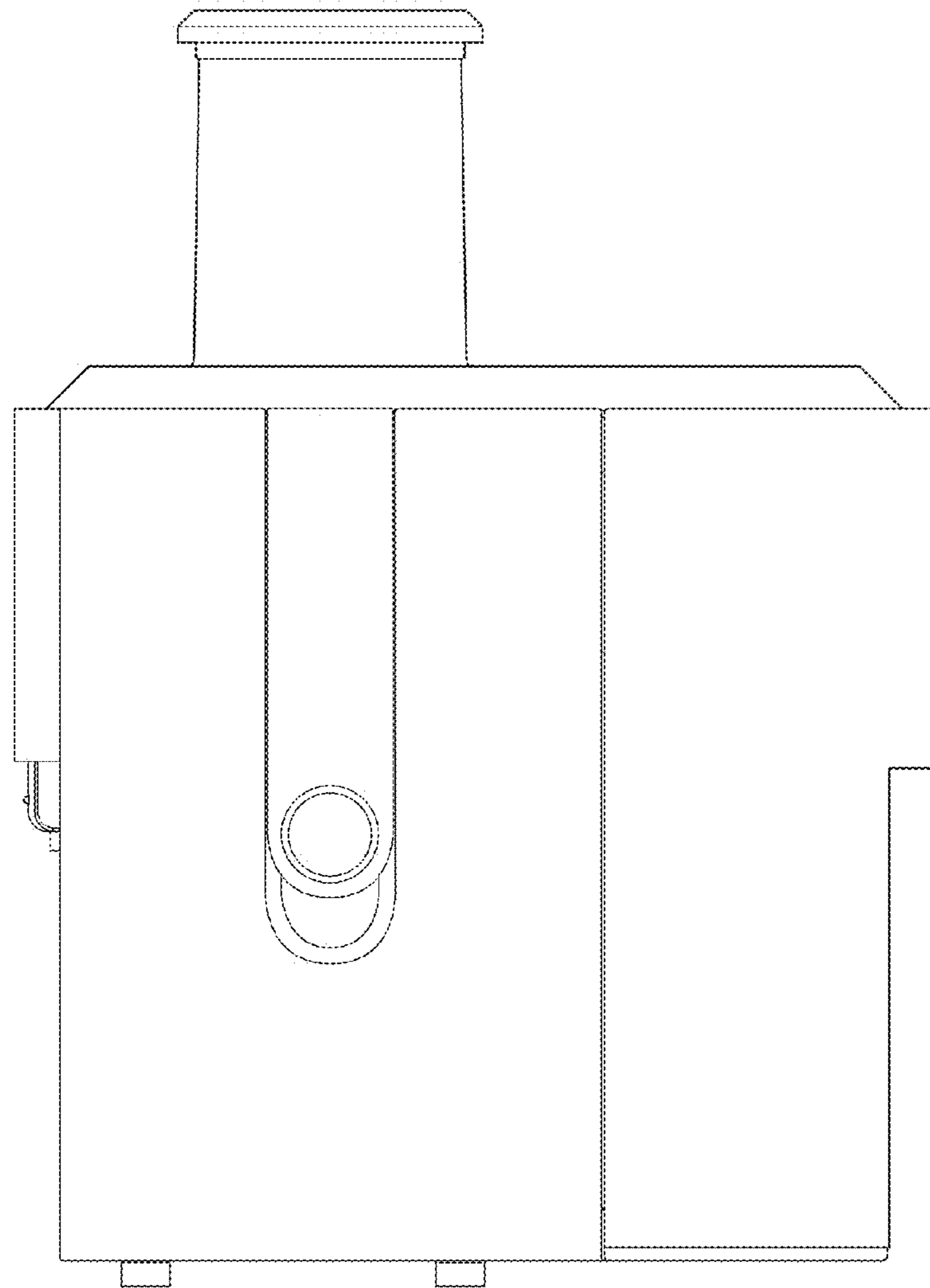


Fig. 3

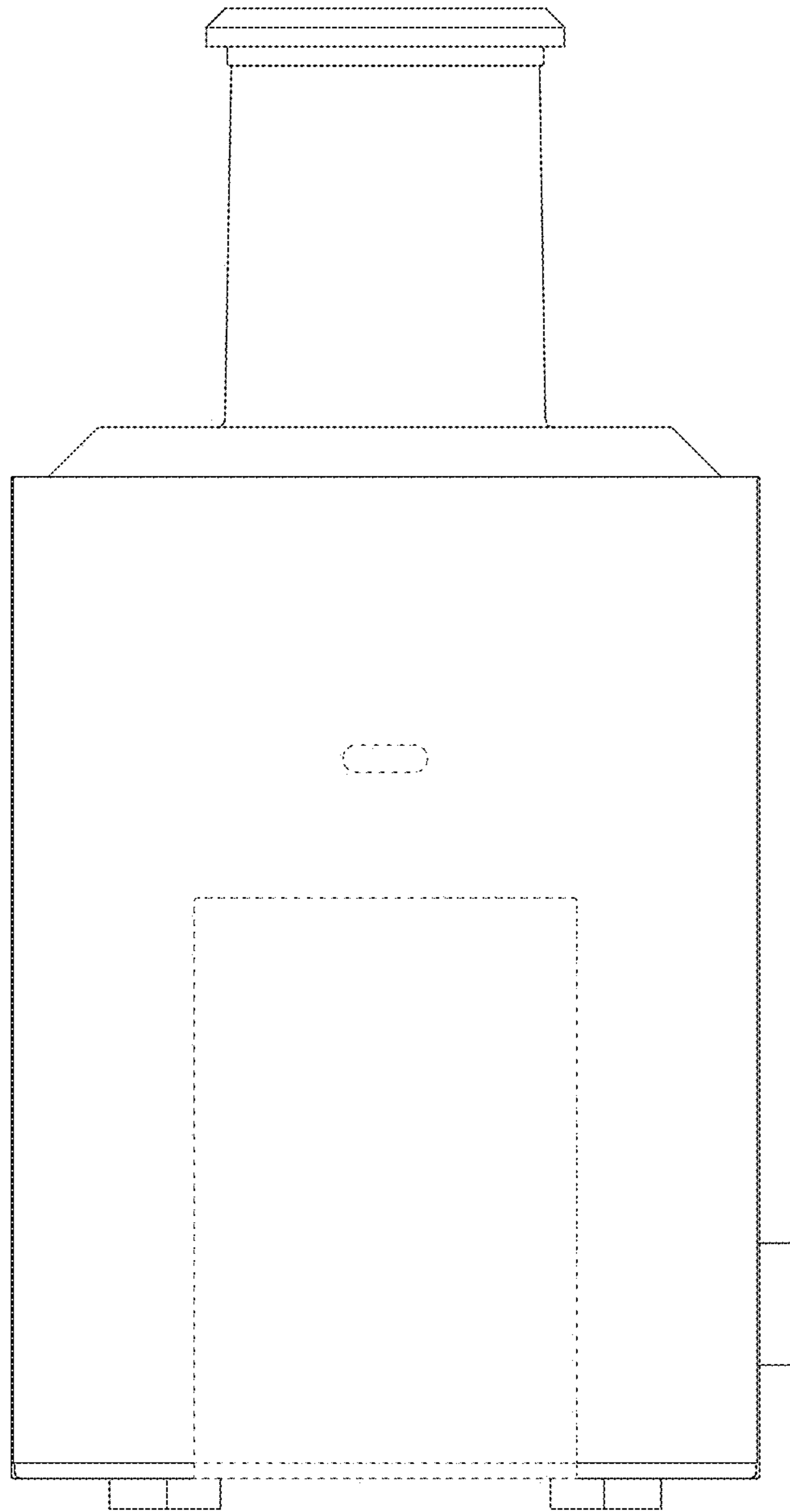


Fig. 4

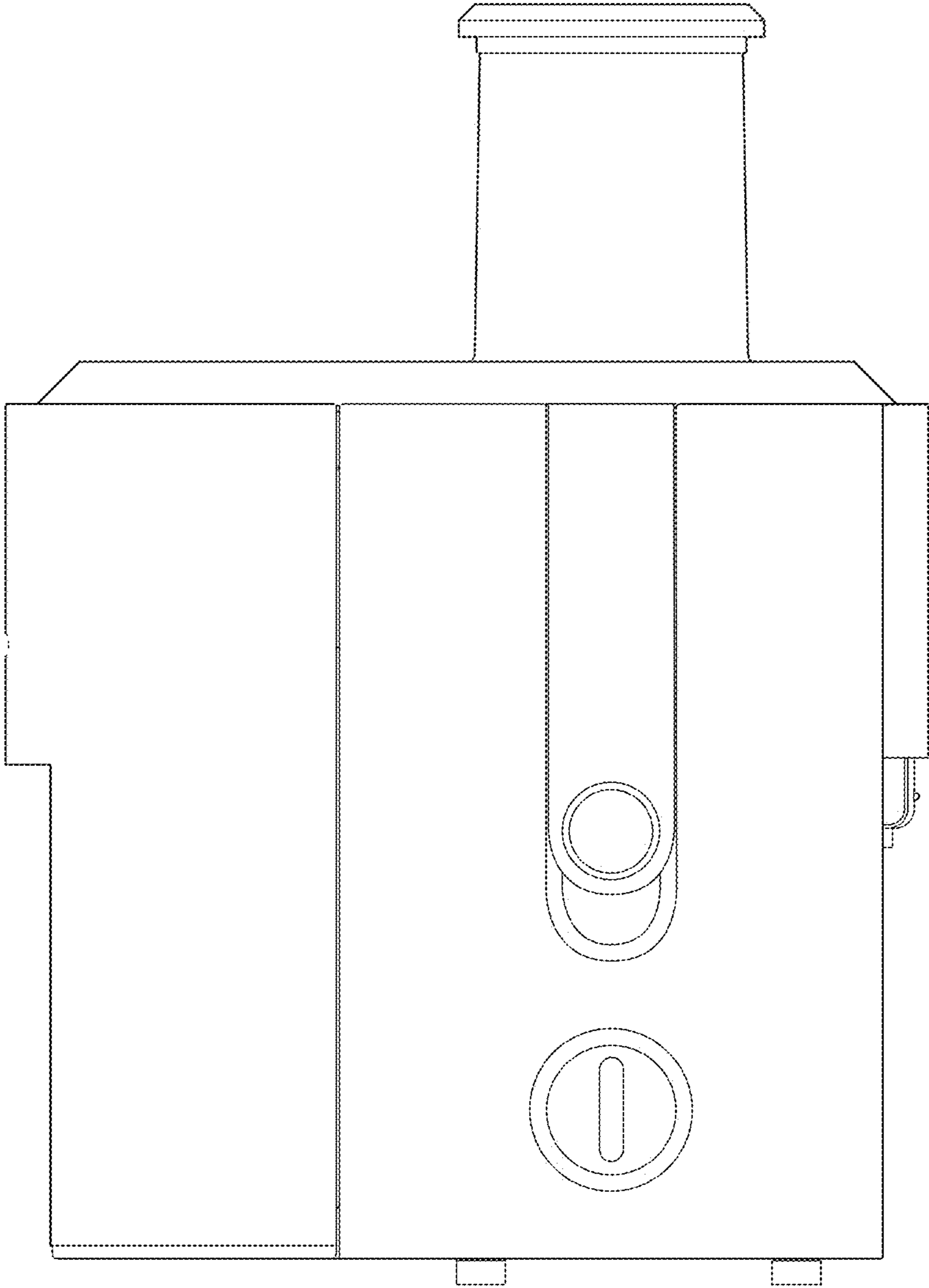


Fig. 5

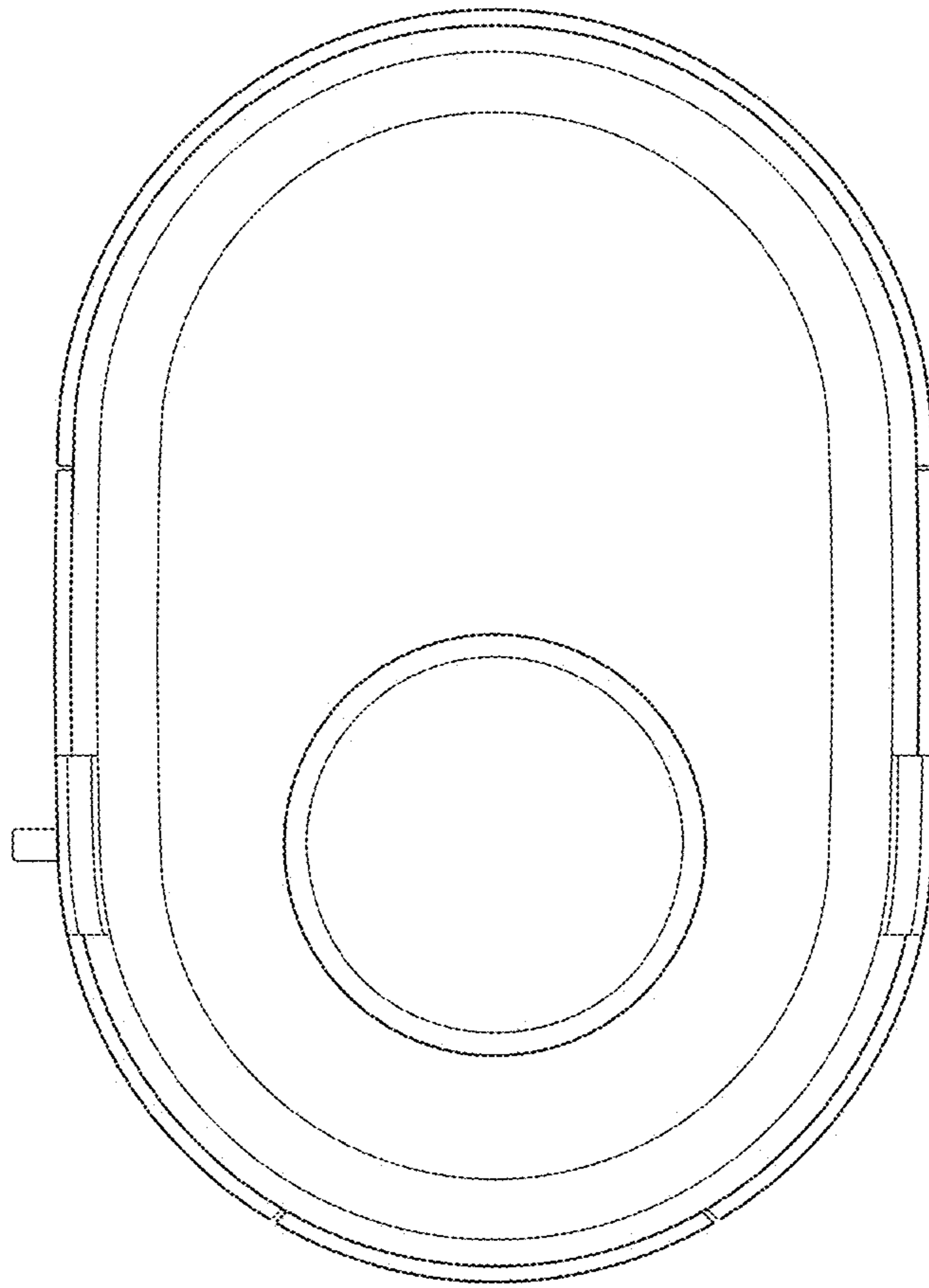


Fig. 6