

US00D682627S

(12) **United States Design Patent**
Cavanagh

(10) **Patent No.:** **US D682,627 S**

(45) **Date of Patent:** **** May 21, 2013**

(54) **UTENSIL HOLDER**

(76) Inventor: **Courtney Cavanagh**, Warwick, RI (US)

(**) Term: **14 Years**

(21) Appl. No.: **29/398,045**

(22) Filed: **Jul. 26, 2011**

(51) **LOC (9) Cl.** **07-06**

(52) **U.S. Cl.**
USPC **D7/637; D7/601; D9/712**

(58) **Field of Classification Search** D7/637-641;
D3/299, 905; D9/702, 711-713; D6/616;
383/29, 4, 127; 206/548, 553, 373, 459.5;
248/37.6, 37.3, 174; 229/938, 100, 106-108,
229/111-116, 164, 185.1, 186, 902; 220/23.8,
220/606

See application file for complete search history.

(56) **References Cited**

U.S. PATENT DOCUMENTS

943,389	A *	12/1909	Cockrell	229/4.5
1,747,010	A *	2/1930	Keller, Jr.	206/553
2,878,486	A *	3/1959	Bartlett et al.	4/144.4
3,749,233	A *	7/1973	McCormick, Jr.	206/373
D259,333	S *	5/1981	Charbonneau	D9/712
4,800,108	A *	1/1989	Swartz	206/548
D364,340	S *	11/1995	Weder et al.	D9/712
D369,540	S *	5/1996	Weder et al.	D9/629
5,797,636	A *	8/1998	Hamynen	294/1.3
D478,283	S *	8/2003	Shimakawa	D9/713
7,266,865	B1 *	9/2007	Rodin	248/37.3
7,342,207	B2 *	3/2008	Hasse et al.	219/730

D586,663	S *	2/2009	Tidqvist	D9/712
D596,043	S *	7/2009	Noble	D9/702
7,745,766	B2 *	6/2010	Hasse et al.	219/730
2003/0006273	A1 *	1/2003	Tsern et al.	229/115

OTHER PUBLICATIONS

Caloway Creations: Jute Silverware Holders, "We Heart It", <http://calowaycreations.blogspot.com/2011/04/jute-silverware-holders.html>—Caloway Creations: Jute Silverware Holders on we heart it/visual bookmark #8980951, pp. 1-3.

Craftiness is not optional, Utensil Stocking Tutorial, Dec. 8, 2010, <http://theadventuresofroryandjess.blogspot.com/2010/12/utensil-stocking-tutorial.html>, pp. 1-12.

* cited by examiner

Primary Examiner — Terry Wallace

(74) *Attorney, Agent, or Firm* — Barlow, Josephs & Holmes, Ltd.

(57) **CLAIM**

The ornamental design for a utensil holder, as shown.

DESCRIPTION

FIG. 1 is a front perspective view of a first embodiment of the utensil holder, showing my new design;

FIG. 2 is a top view of the design of FIG. 1;

FIG. 3 is a bottom view of the design of FIG. 1;

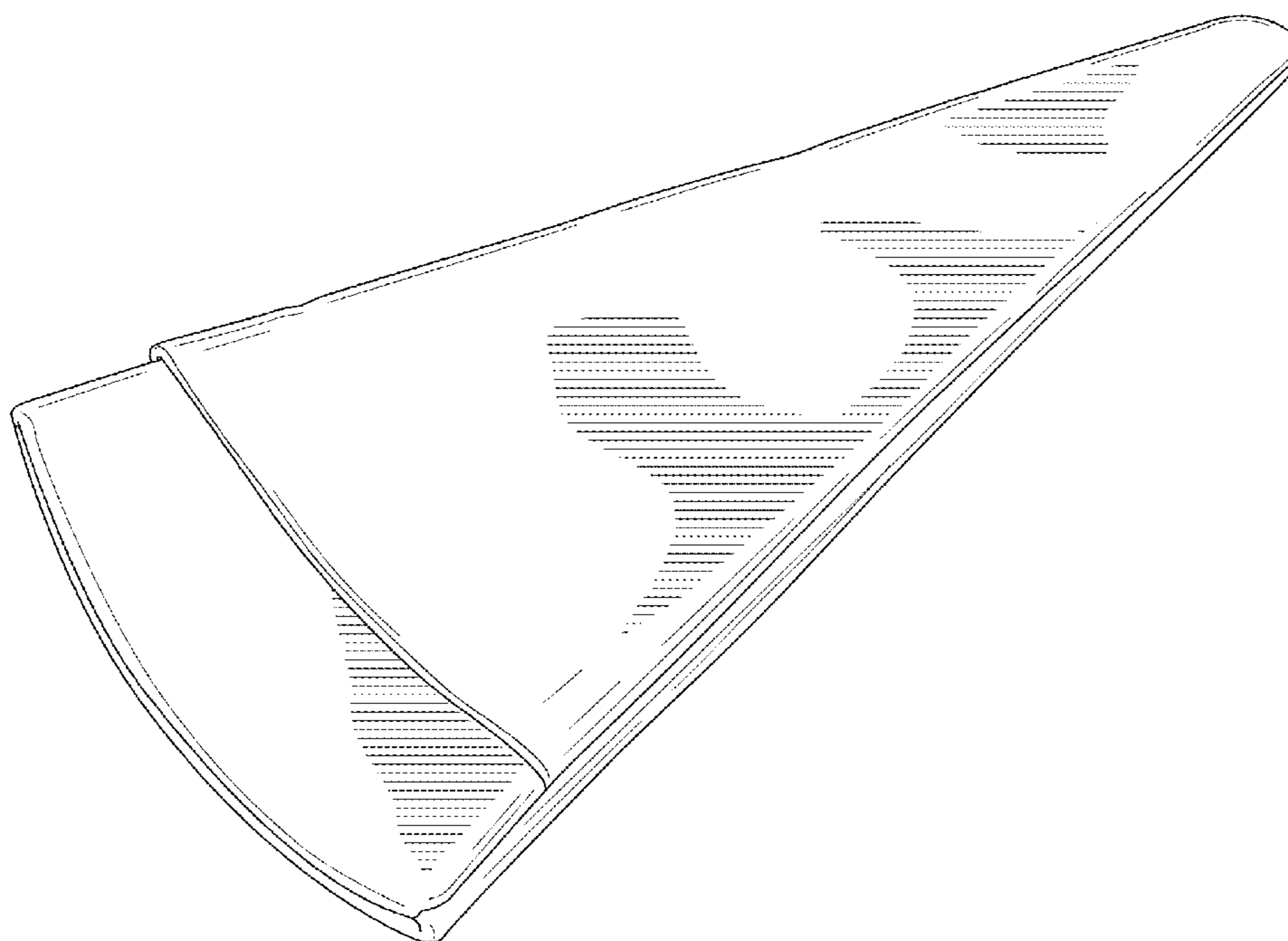
FIG. 4 is a right side view of the design of FIG. 1;

FIG. 5 is a left side view of the design of FIG. 1;

FIG. 6 is a front view of the design of FIG. 1; and,

FIG. 7 is a rear view of the design of FIG. 1.

1 Claim, 5 Drawing Sheets



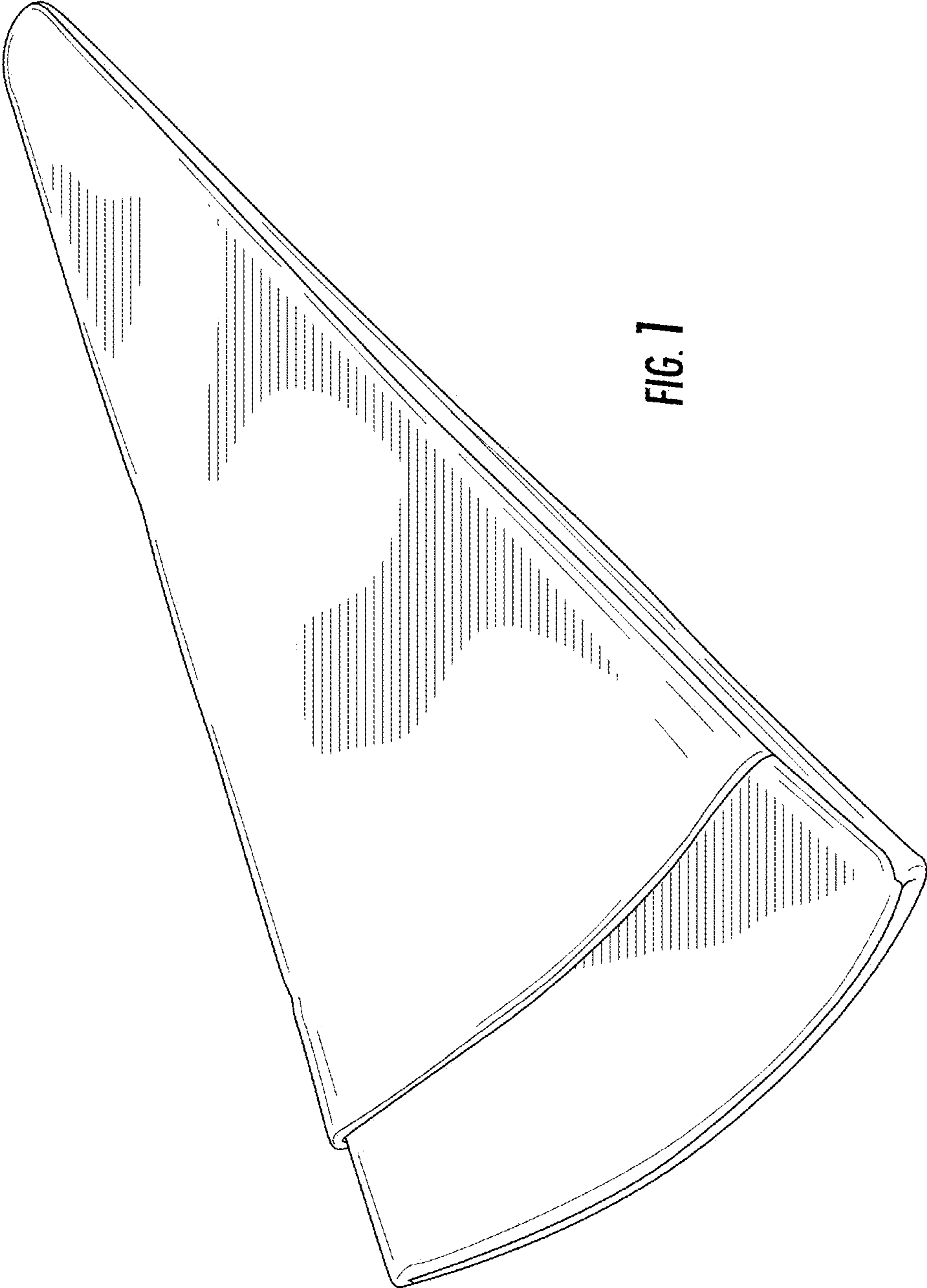


FIG. 1

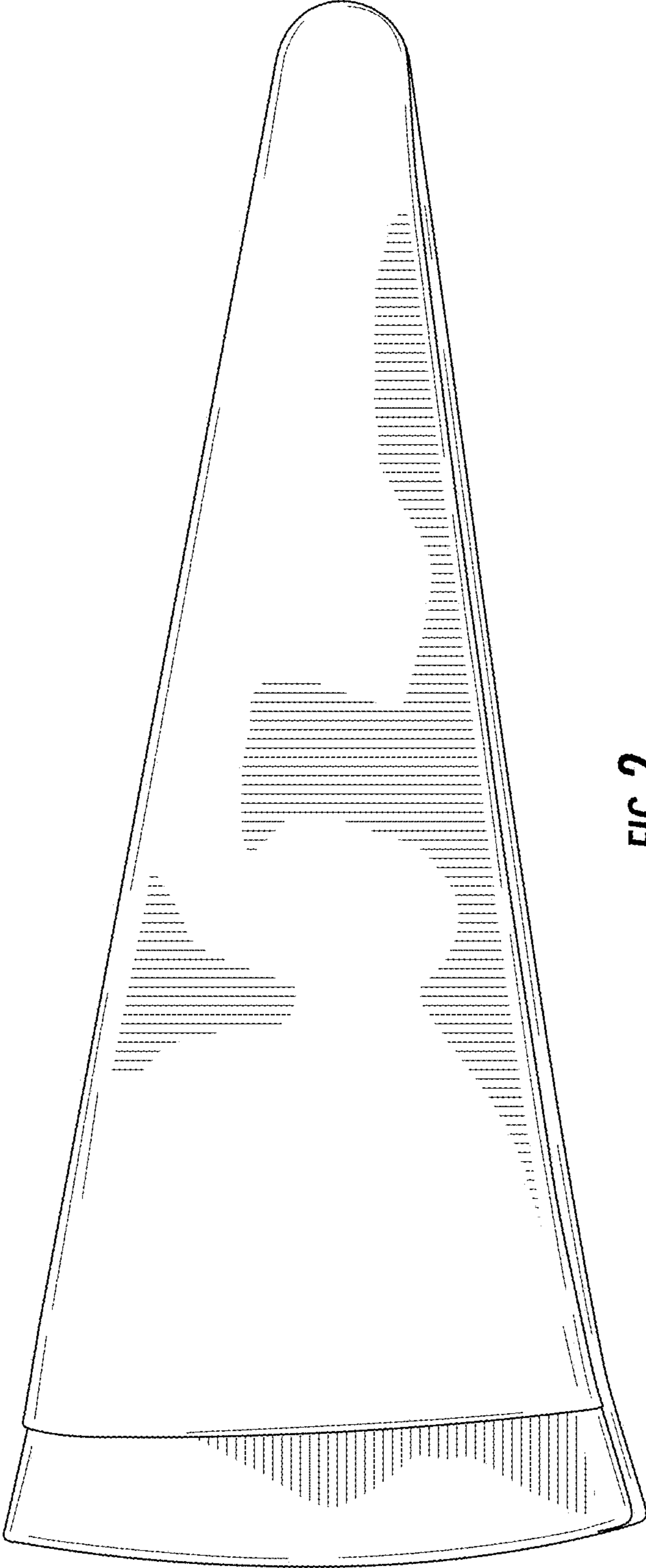


FIG. 2

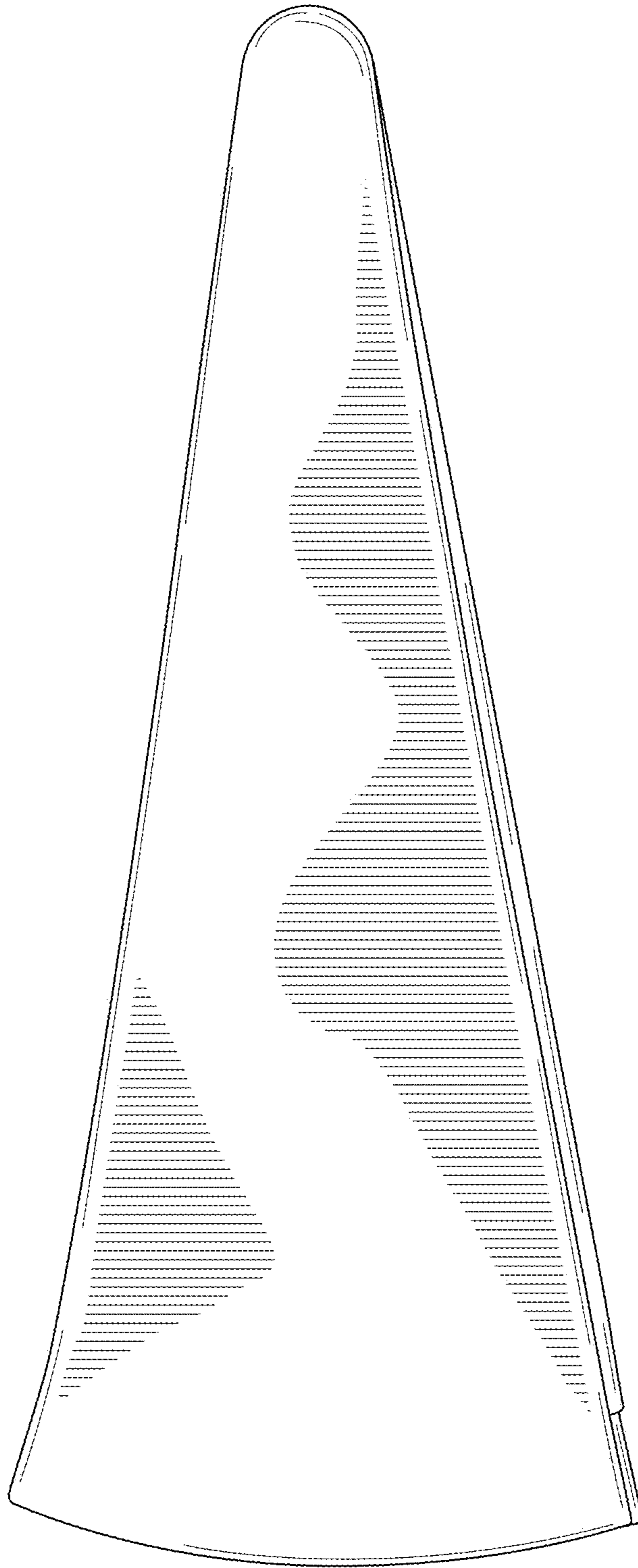


FIG. 3

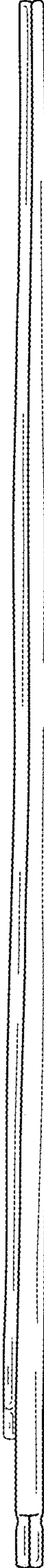


FIG. 4

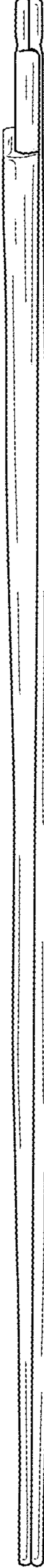


FIG. 5

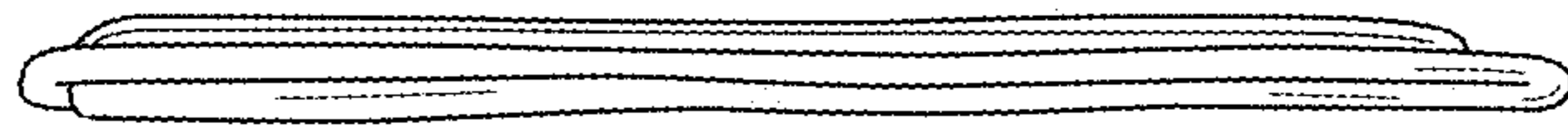


FIG. 6

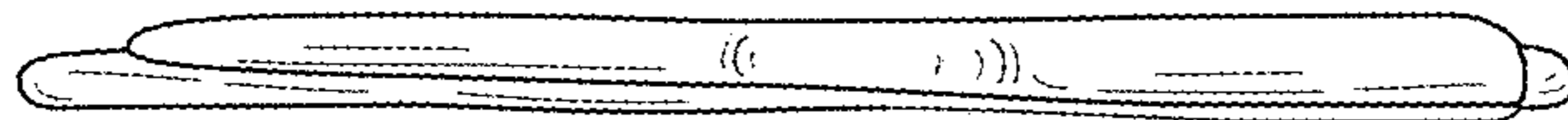


FIG. 7