



US00D682626S

(12) **United States Design Patent**
Lane

(10) **Patent No.:** **US D682,626 S**

(45) **Date of Patent:** **** May 21, 2013**

(54) **COMBINED FOOD JAR AND LID WITH
DOWNWARD CURVED SIDE LIFTING
HANDLES**

Primary Examiner — Terry Wallace

(74) *Attorney, Agent, or Firm* — Schiff Hardin LLP

(75) Inventor: **Marvin Lane**, Round Lake Beach, IL
(US)

(57) **CLAIM**

The ornamental design of the combined food jar and lid with downward curved side lifting handles, as shown and described.

(73) Assignee: **Thermos L.L.C.**, Schaumburg, IL (US)

(**) Term: **14 Years**

(21) Appl. No.: **29/422,437**

DESCRIPTION

(22) Filed: **May 21, 2012**

(51) **LOC (9) Cl.** **07-07**

(52) **U.S. Cl.**
USPC **D7/629**

(58) **Field of Classification Search** D7/601,
D7/602, 629, 538–542, 612–615; D9/502,
D9/541, 574, 575, 516; 220/780–806, 574–575,
220/675, 573.1, 660, 260, 288, 326, 236,
220/4.21, 4.24, 4.27, 669–673, 23.83, 23.4
See application file for complete search history.

FIG. 1 is a perspective view taken from the upper, front, right-hand side of the combined food jar and lid with downward curved side lifting handles of the present invention; FIG. 2 is a perspective view taken from the lower, back, left-hand side of the combined food jar and lid with downward curved side lifting handles of FIG. 1; FIG. 3 is a side elevational view of the left side of the combined food jar and lid with downward curved side lifting handles of FIG. 1; FIG. 4 is a front elevational view of the combined food jar and lid with downward curved side lifting handles of FIG. 1; FIG. 5 is a side elevational view of the right side of the combined food jar and lid with downward curved side lifting handles of FIG. 1; FIG. 6 is a rear elevational view of the combined food jar and lid with downward curved side lifting handles of FIG. 1; FIG. 7 is a top plan view of the combined food jar and lid with downward curved side lifting handles of FIG. 1; and, FIG. 8 is a bottom plan view of the combined food jar and lid with downward curved side lifting handles of FIG. 1.

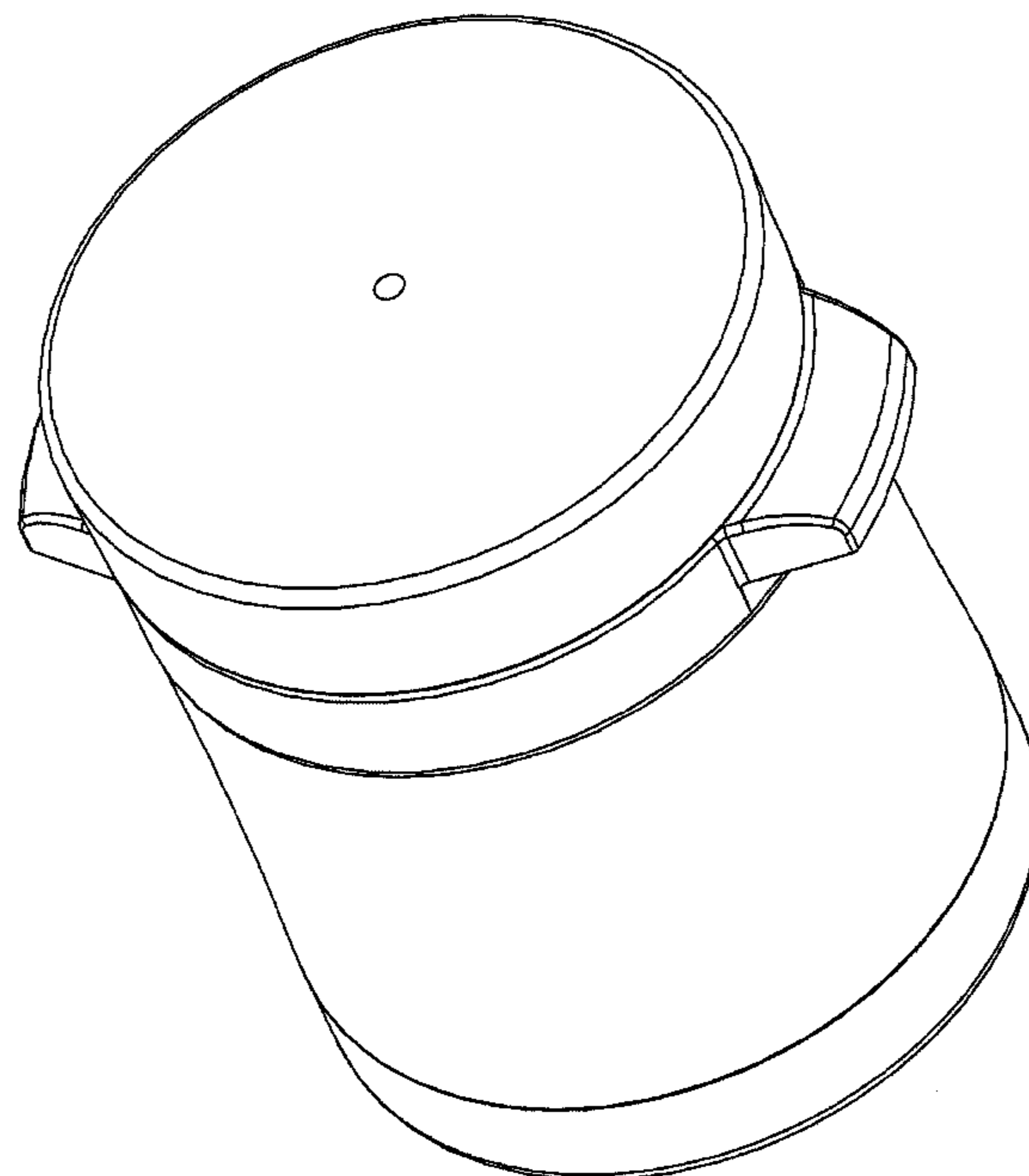
(56) **References Cited**

U.S. PATENT DOCUMENTS

4,399,926	A	*	8/1983	Eidels-Dubovoy	220/288
D405,654	S	*	2/1999	Moran	D7/629
D557,994	S	*	12/2007	Wahl	D7/629
D587,534	S	*	3/2009	Carreno	D7/629
D593,372	S	*	6/2009	Carreno	D7/629
D593,811	S	*	6/2009	Carreno	D7/629
D622,554	S	*	8/2010	Carreno	D7/629
D629,657	S	*	12/2010	Carreno	D7/629
D643,694	S	*	8/2011	Lu	D7/629

* cited by examiner

1 Claim, 8 Drawing Sheets



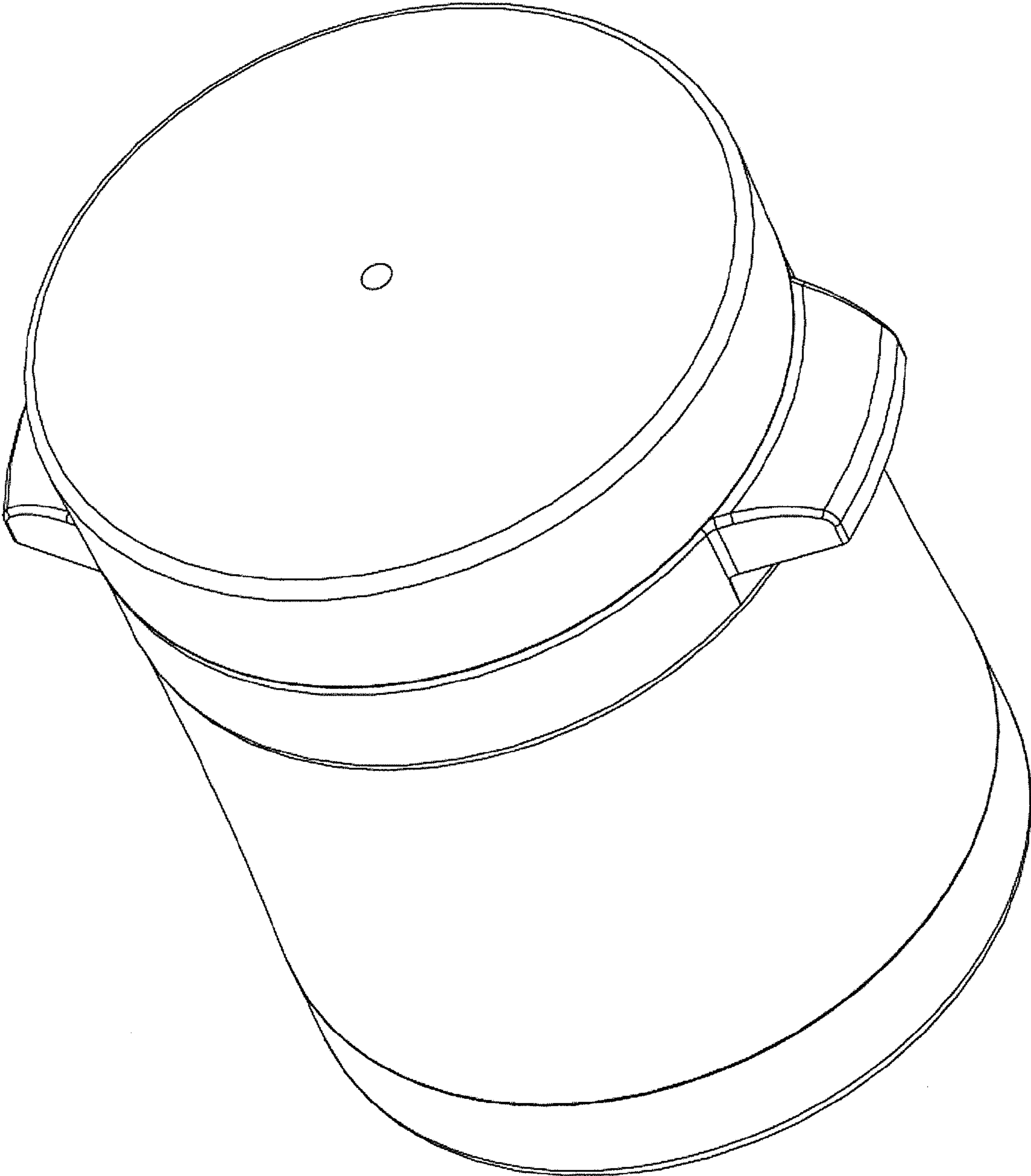


Figure 1

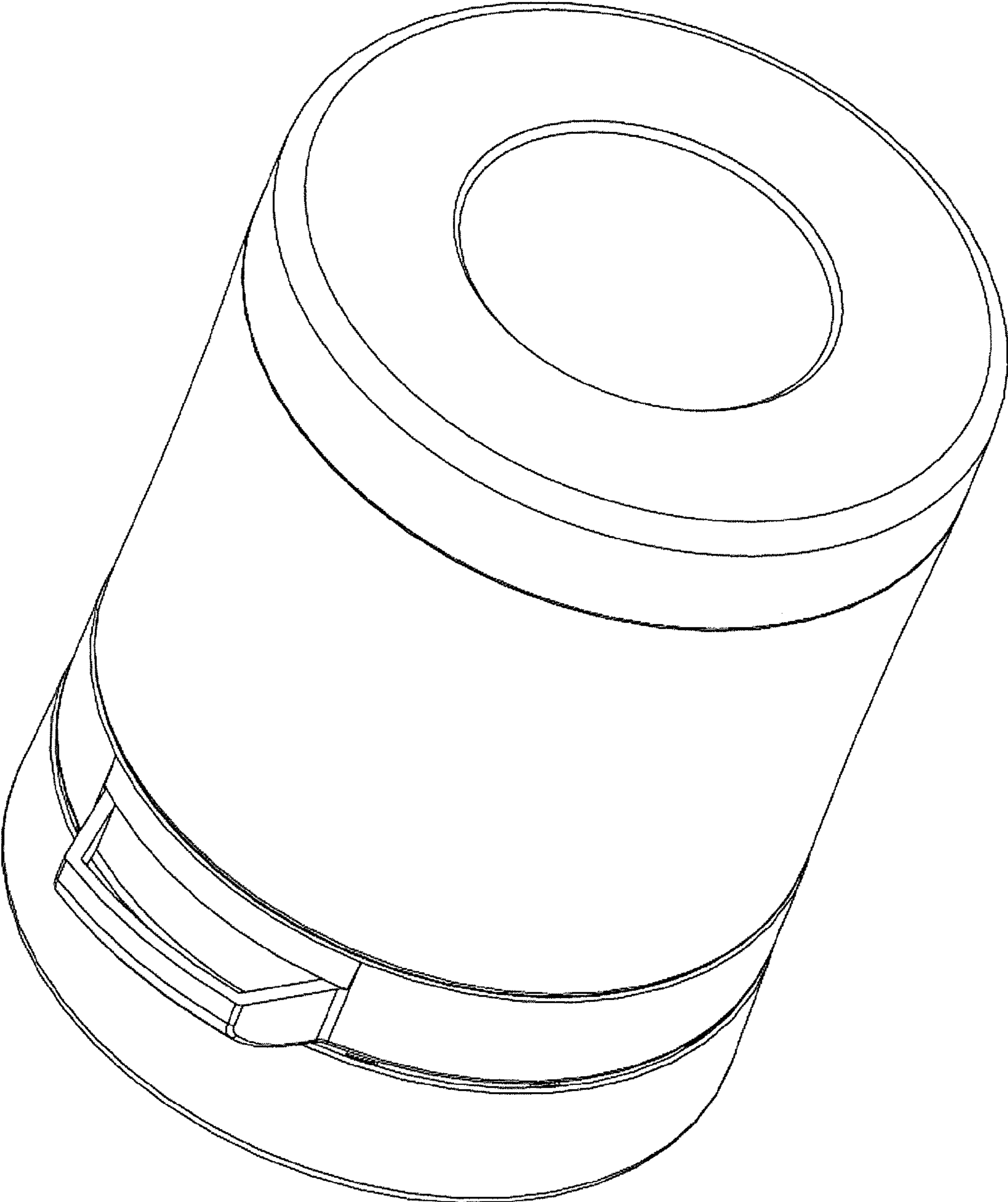


Figure 2

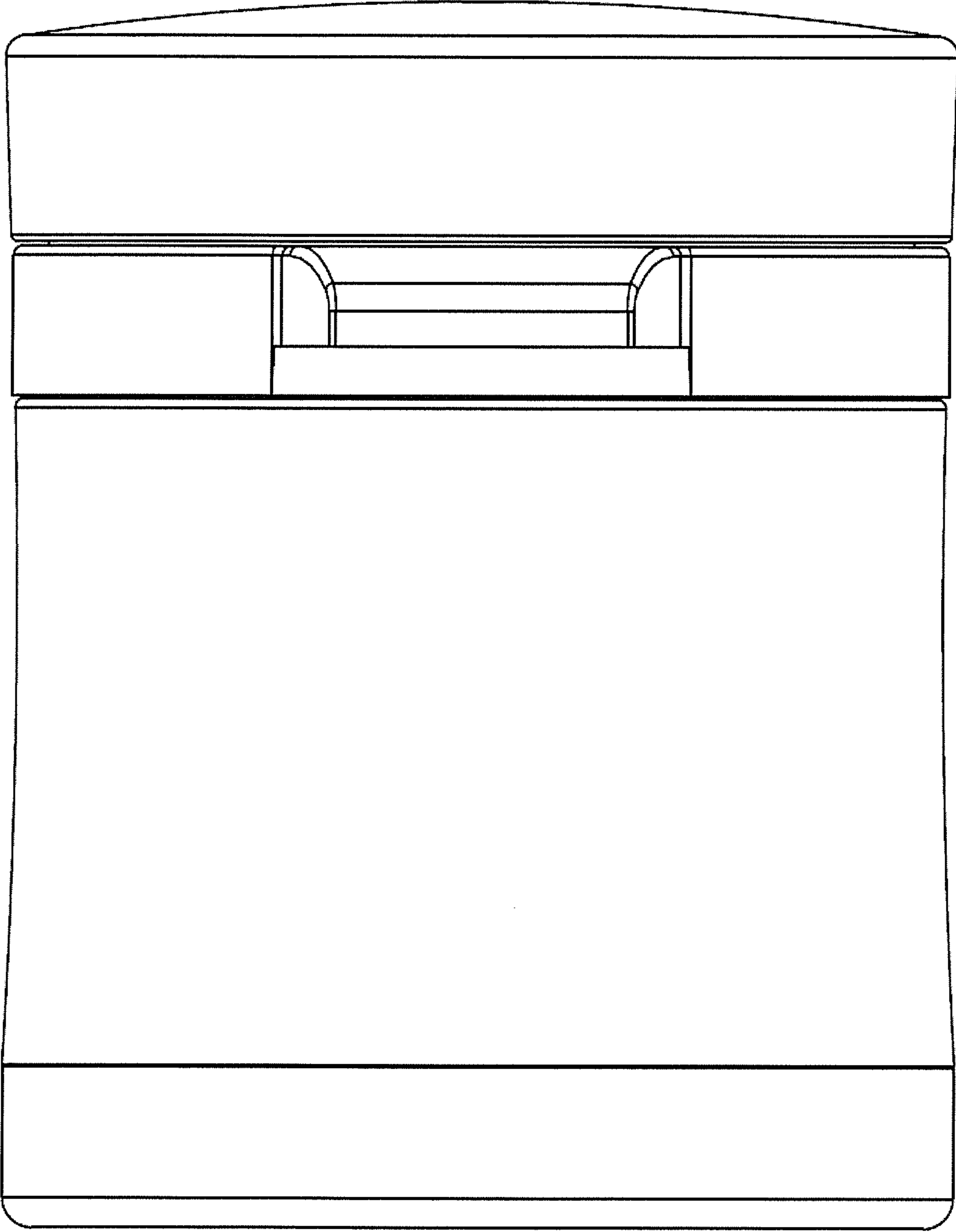


Figure 3

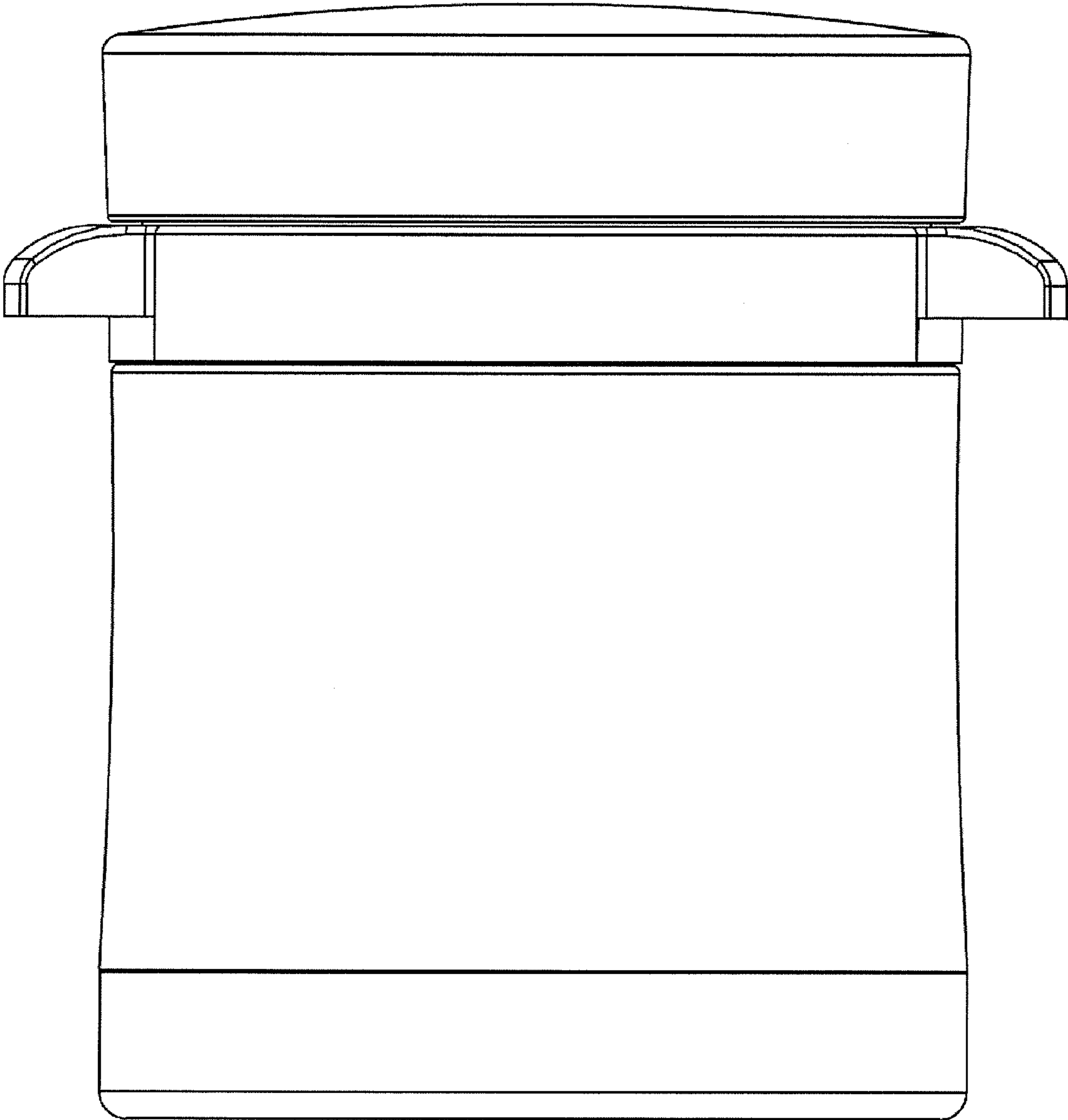


Figure 4

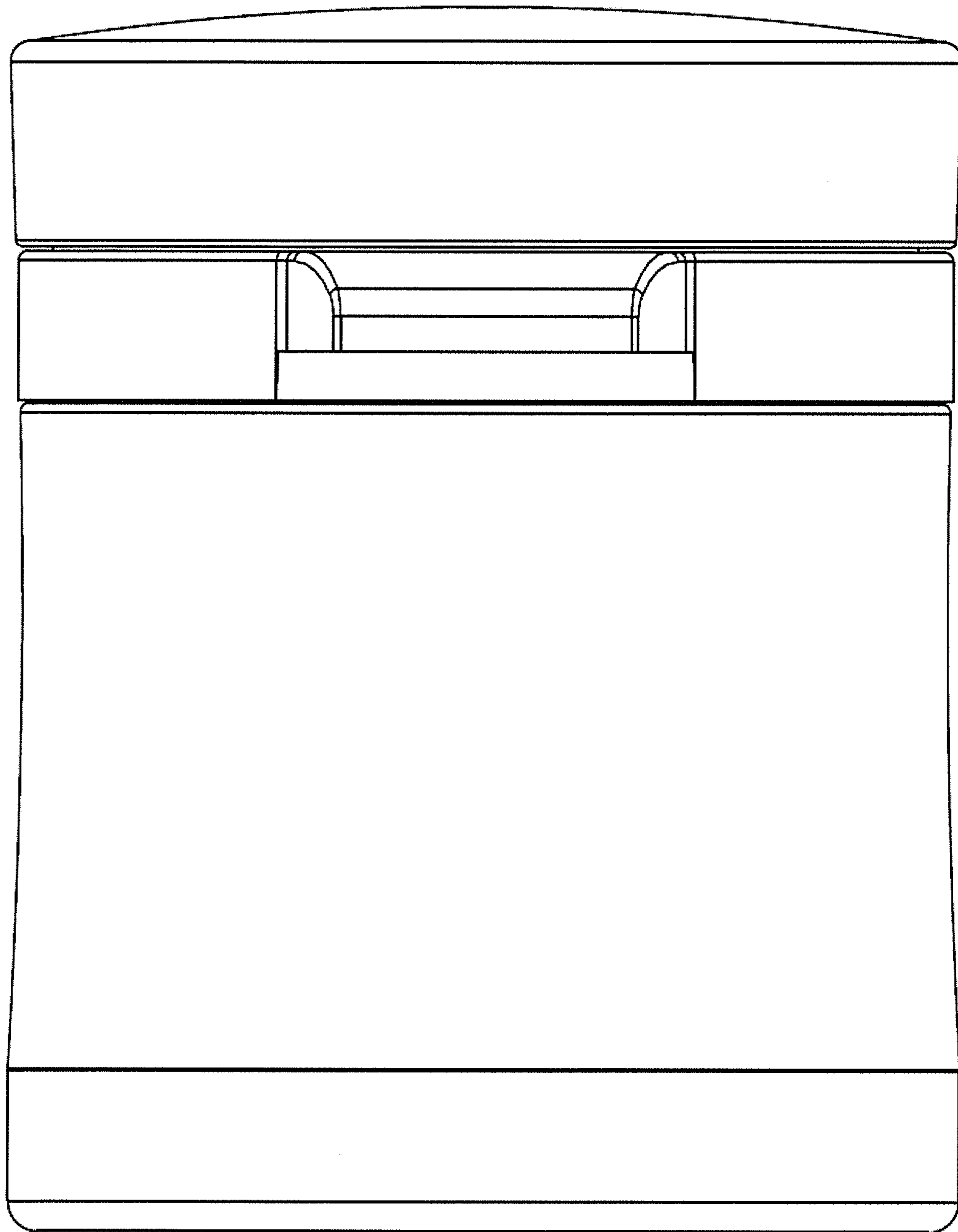


Figure 5

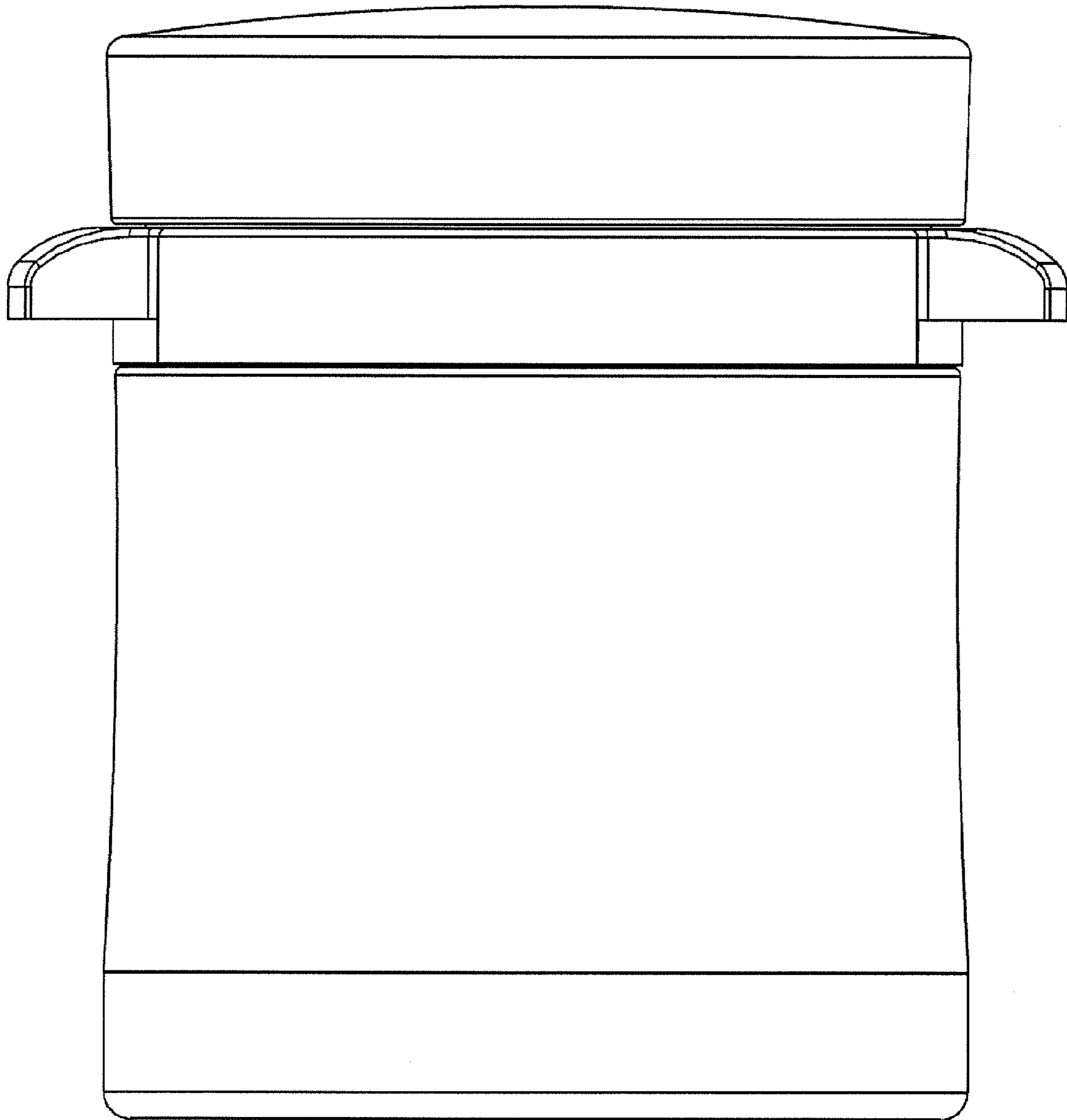


Figure 6

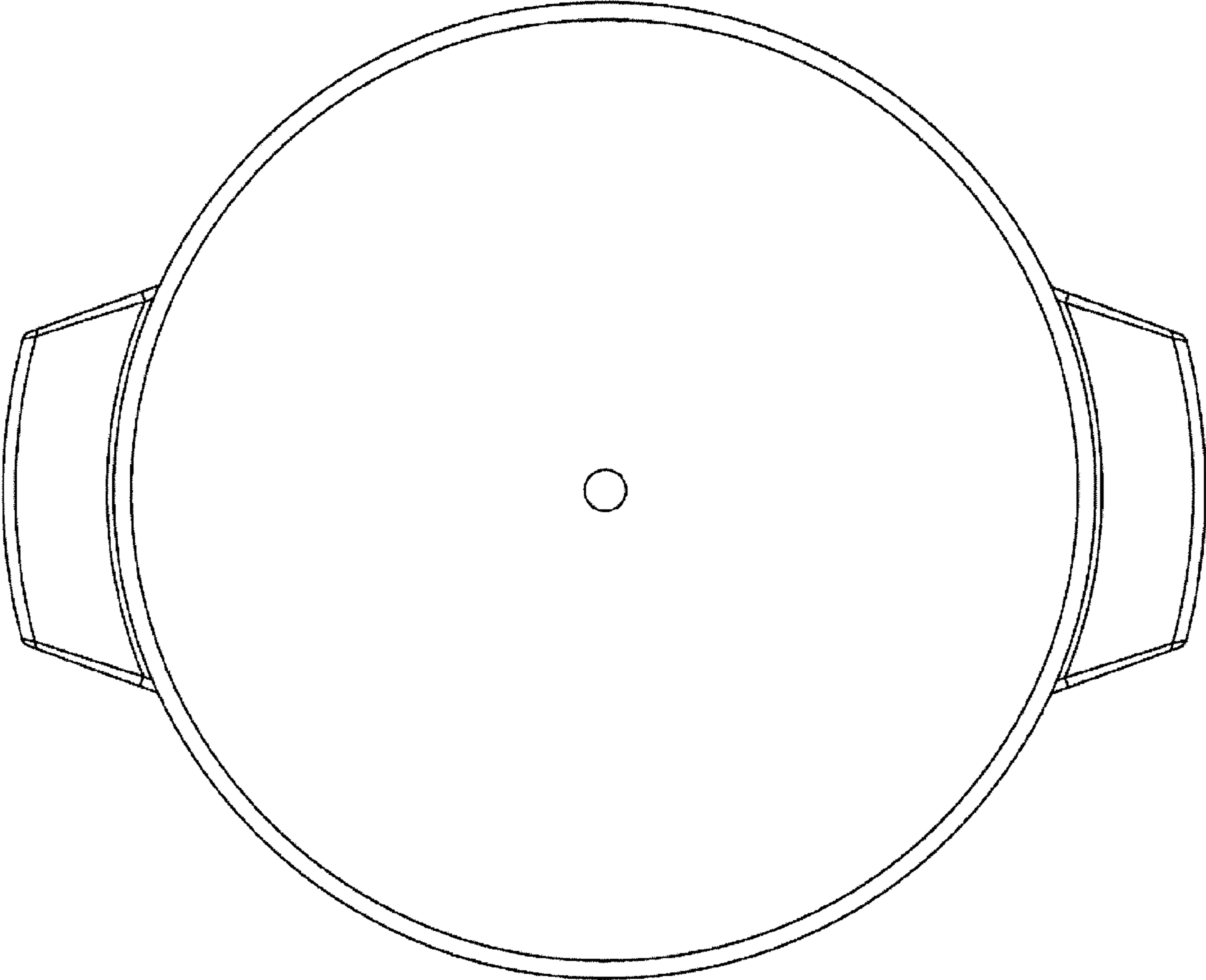


Figure 7

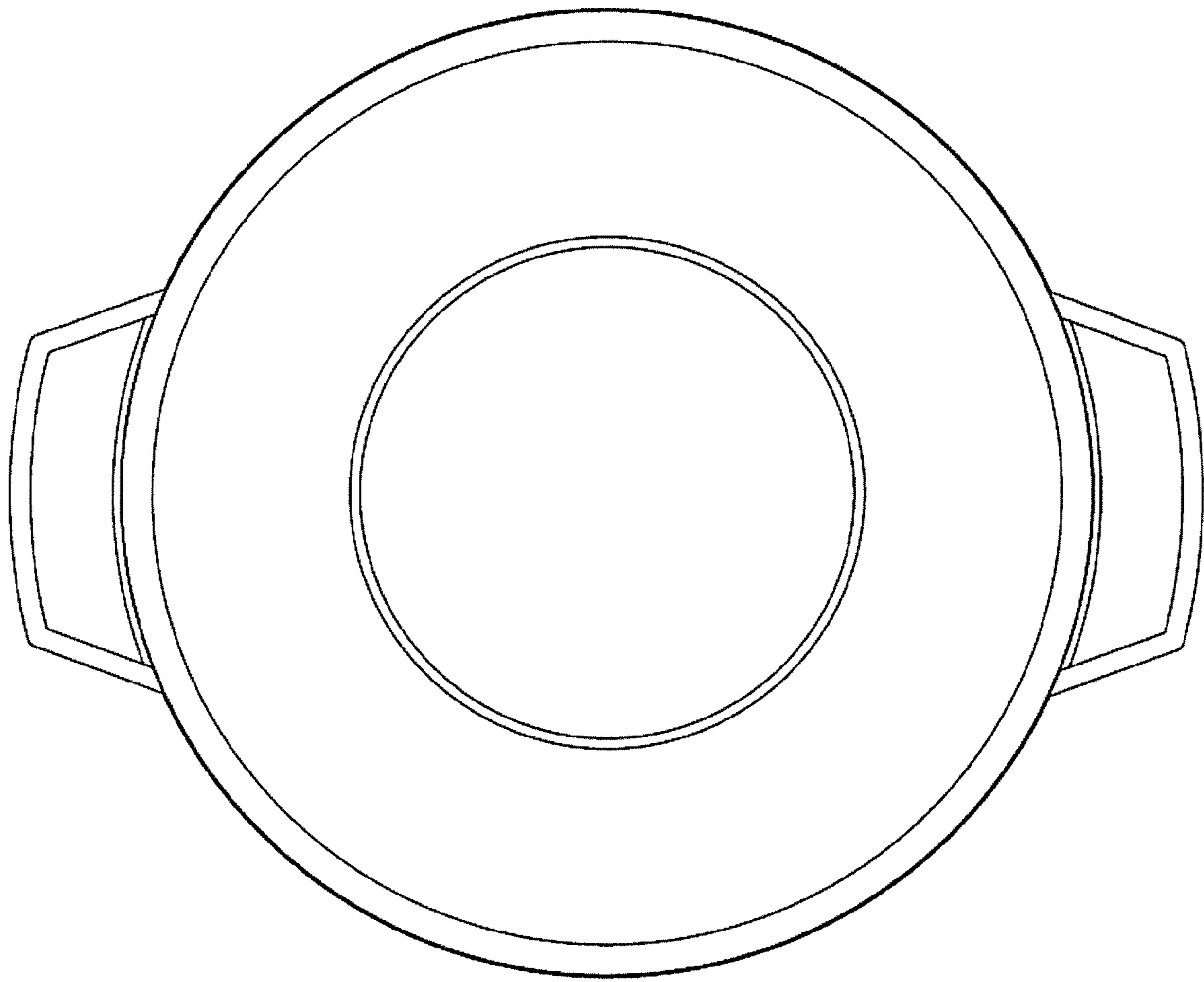


Figure 8