



US00D682625S

(12) **United States Design Patent**  
**Lane**

(10) **Patent No.:** **US D682,625 S**

(45) **Date of Patent:** **\*\* May 21, 2013**

(54) **COMBINED FOOD JAR AND LID WITH OVAL GRIPS**

D622,554 S \* 8/2010 Carreno ..... D7/629  
D629,657 S \* 12/2010 Carreno ..... D7/629  
D643,694 S \* 8/2011 Lu ..... D7/629

(75) Inventor: **Marvin Lane**, Round Lake Beach, IL (US)

\* cited by examiner

(73) Assignee: **Thermos L.L.C.**, Schaumburg, IL (US)

*Primary Examiner* — Terry Wallace

(74) *Attorney, Agent, or Firm* — Schiff Hardin LLP

(\*\*) Term: **14 Years**

(57) **CLAIM**

The ornamental design of the combined food jar and lid with oval grips, as shown and described.

(21) Appl. No.: **29/422,416**

**DESCRIPTION**

(22) Filed: **May 21, 2012**

(51) **LOC (9) Cl.** ..... **07-07**

(52) **U.S. Cl.**

USPC ..... **D7/629**

(58) **Field of Classification Search** ..... D7/601,  
D7/602, 629, 538–542, 612–615; D9/502,  
D9/541, 574, 575, 516; 220/780–806, 574–575,  
220/675, 573.1, 660, 260, 288, 326, 236,  
220/4.21, 4.24, 4.27, 669–673, 23.83, 23.4  
See application file for complete search history.

FIG. 1 is a perspective view taken from the upper, front, right-hand side of the combined food jar and lid with oval grips of the present invention;

FIG. 2 is a perspective view taken from the lower, back, left-hand side of the combined food jar and lid with oval grips of FIG. 1;

FIG. 3 is a side elevational view of the left side of the combined food jar and lid with oval grips of FIG. 1;

FIG. 4 is a front elevational view of the combined food jar and lid with oval grips of FIG. 1;

FIG. 5 is a side elevational view of the right side of the combined food jar and lid with oval grips of FIG. 1;

FIG. 6 is a rear elevational view of the combined food jar and lid with oval grips of FIG. 1;

FIG. 7 is a top plan view of the combined food jar and lid with oval grips of FIG. 1; and,

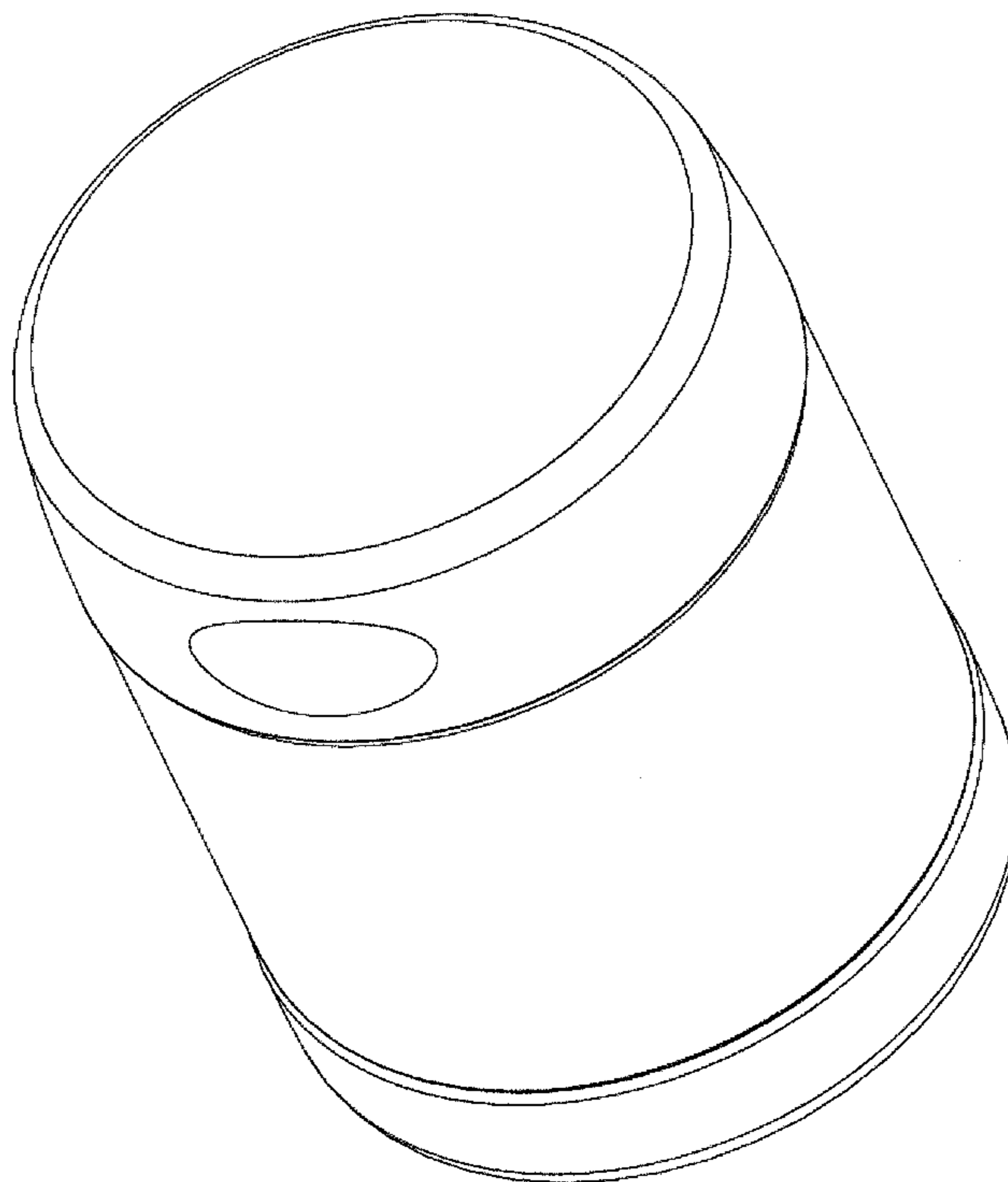
FIG. 8 is a bottom plan view of the combined food jar and lid with oval grips of FIG. 1.

(56) **References Cited**

U.S. PATENT DOCUMENTS

4,399,926 A \* 8/1983 Eidels-Dubovoy ..... 220/288  
D405,654 S \* 2/1999 Moran ..... D7/629  
D557,994 S \* 12/2007 Wahl ..... D7/629  
D587,534 S \* 3/2009 Carreno ..... D7/629  
D593,372 S \* 6/2009 Carreno ..... D7/629  
D593,811 S \* 6/2009 Carreno ..... D7/629

**1 Claim, 8 Drawing Sheets**



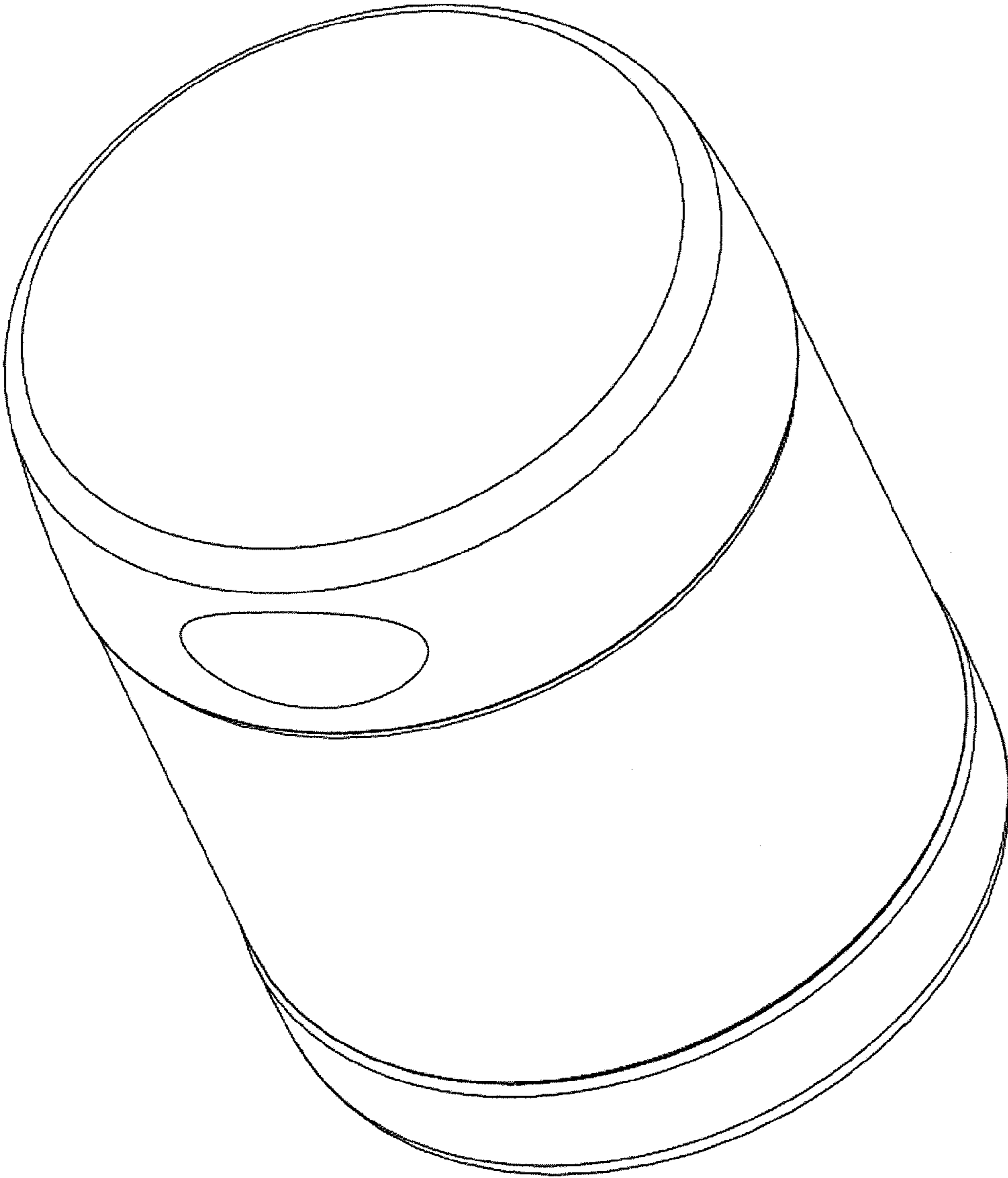


Figure 1

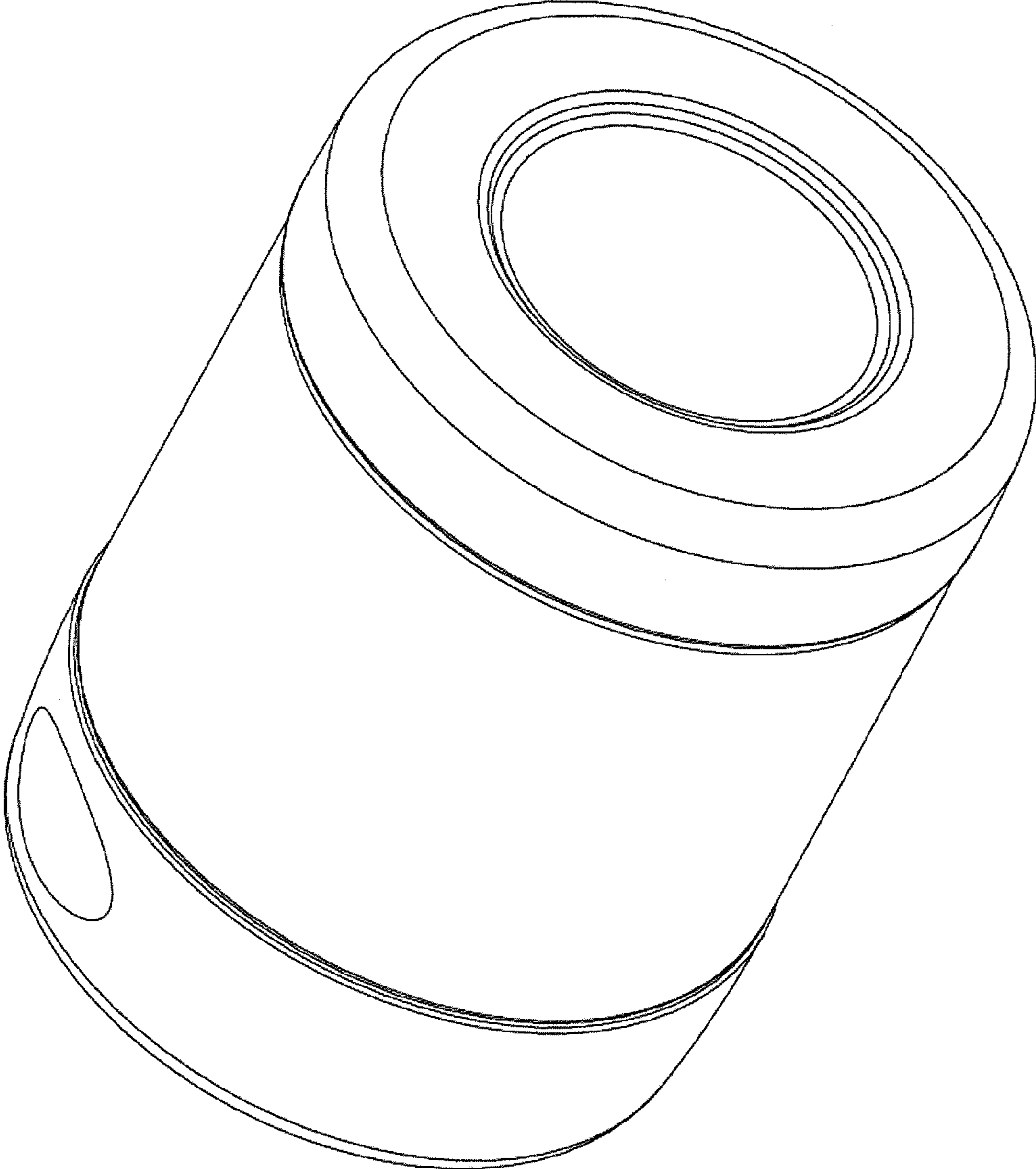


Figure 2

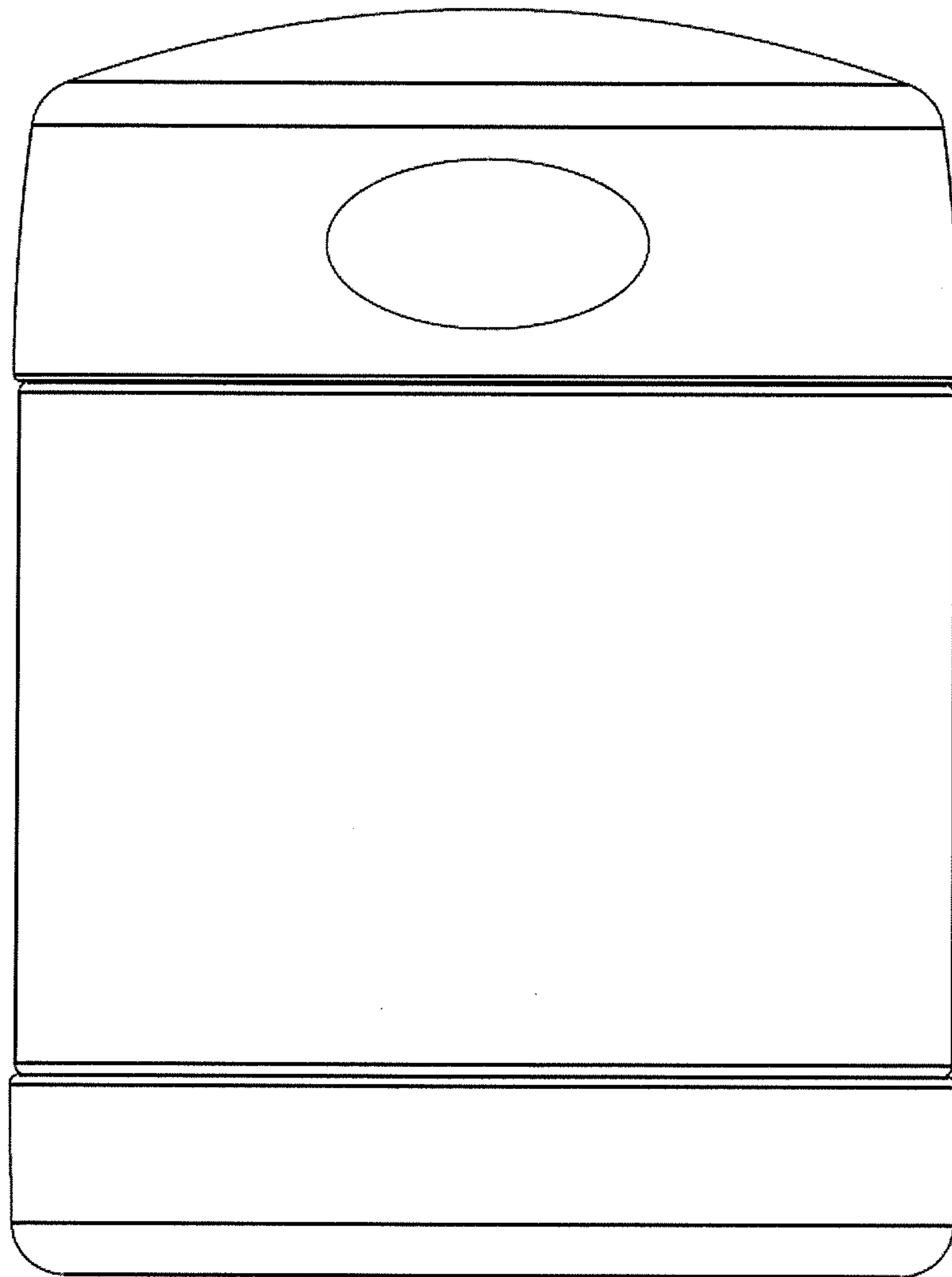


Figure 3

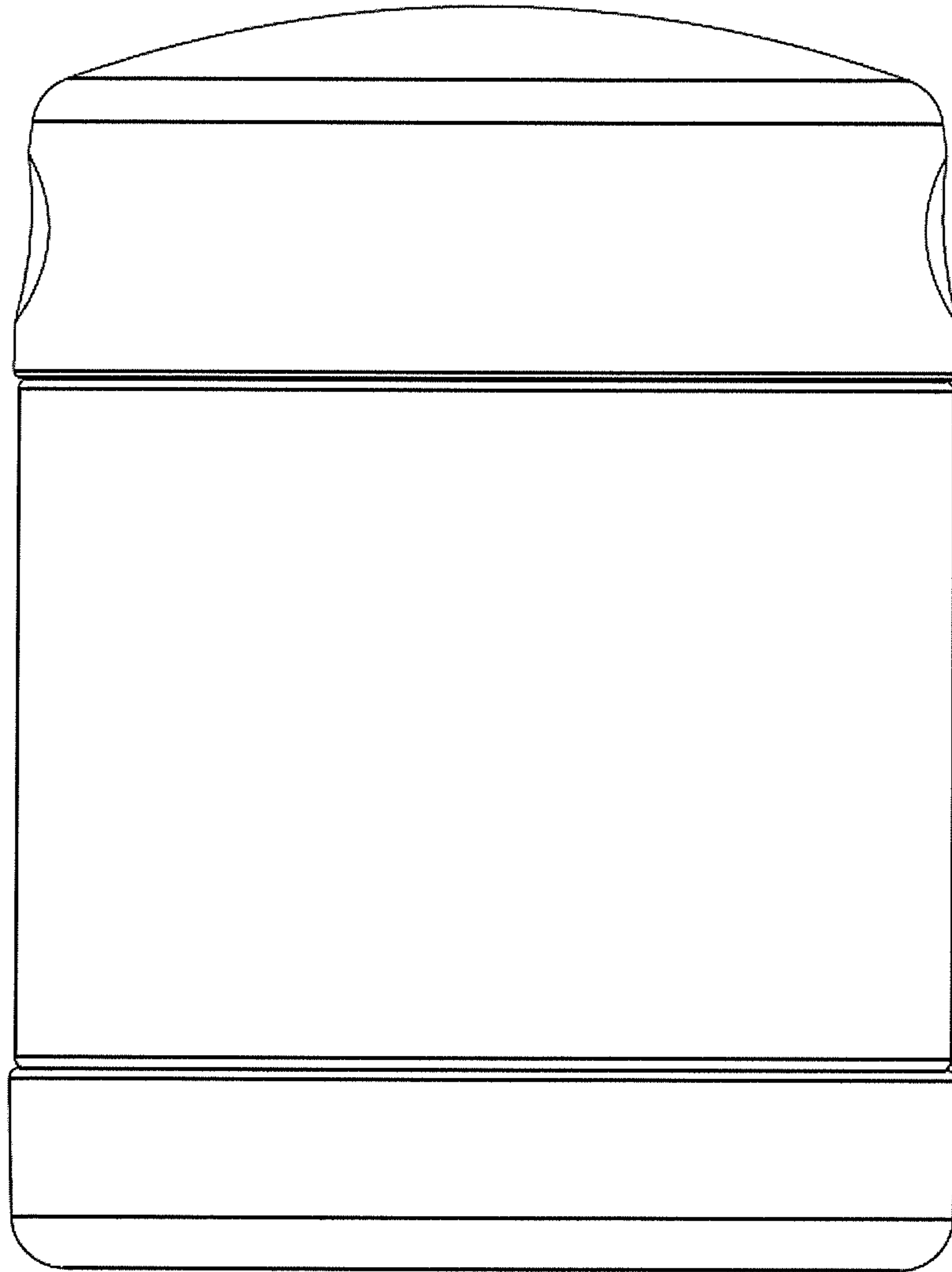


Figure 4

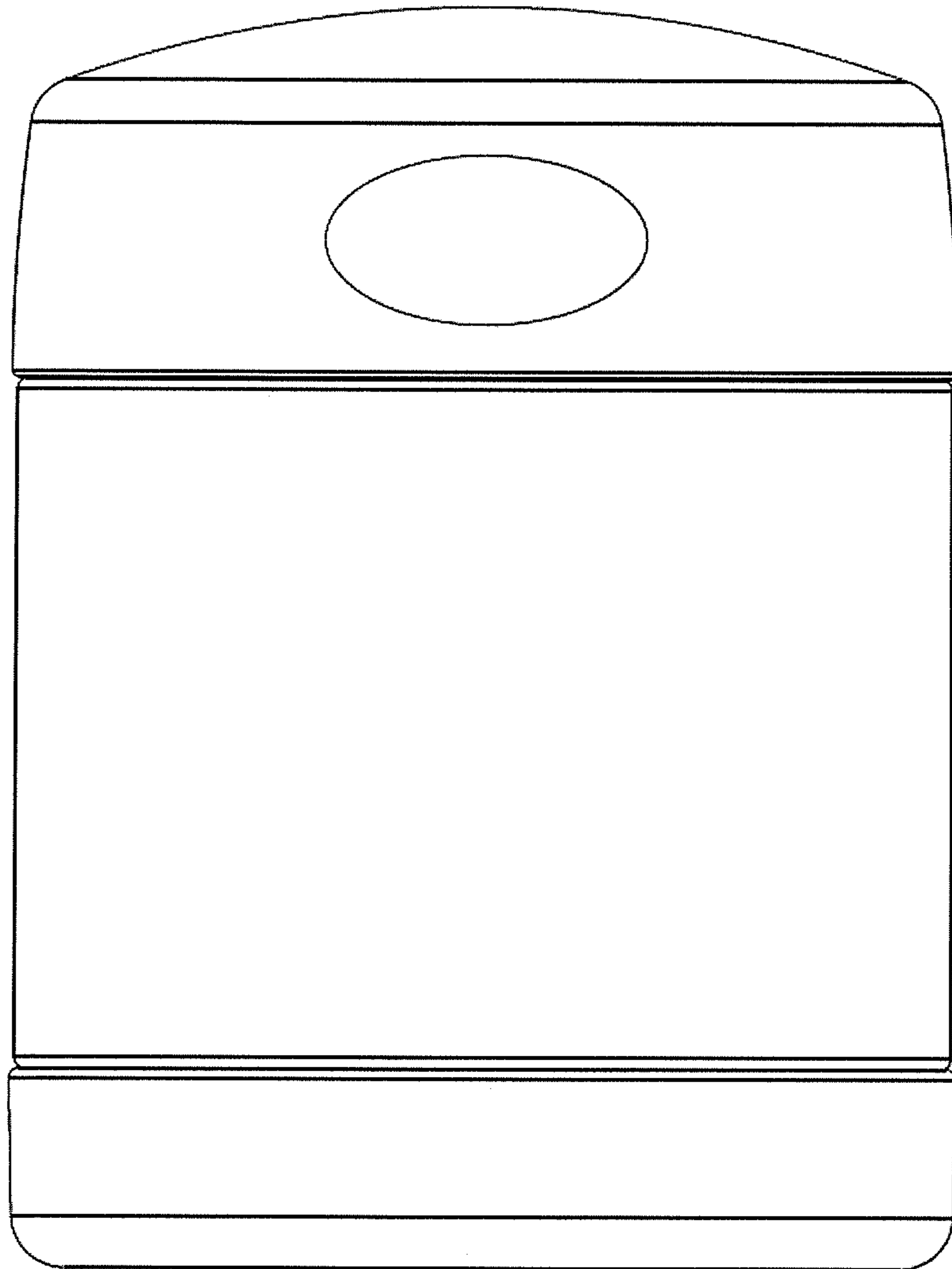


Figure 5

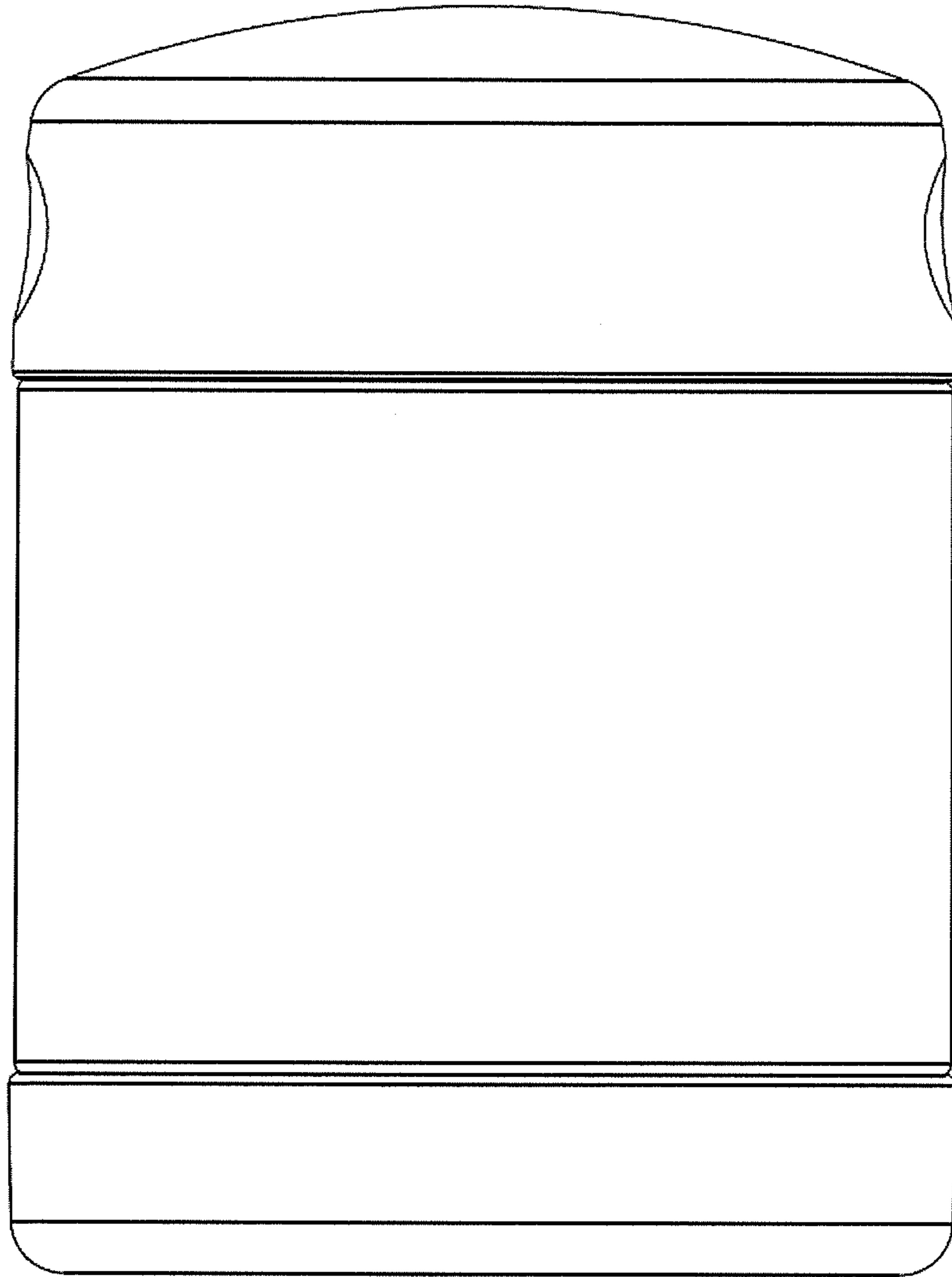


Figure 6

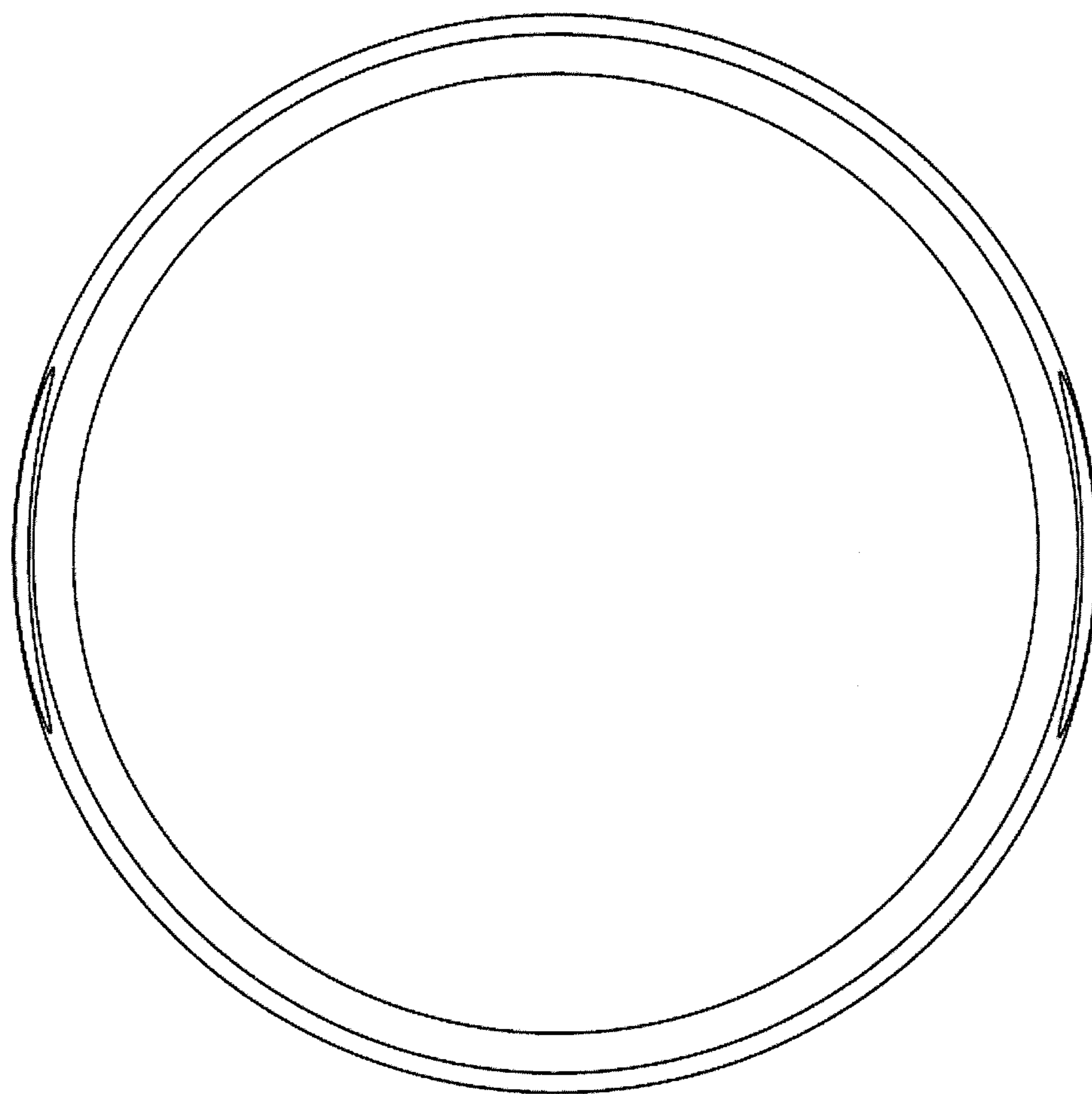


Figure 7



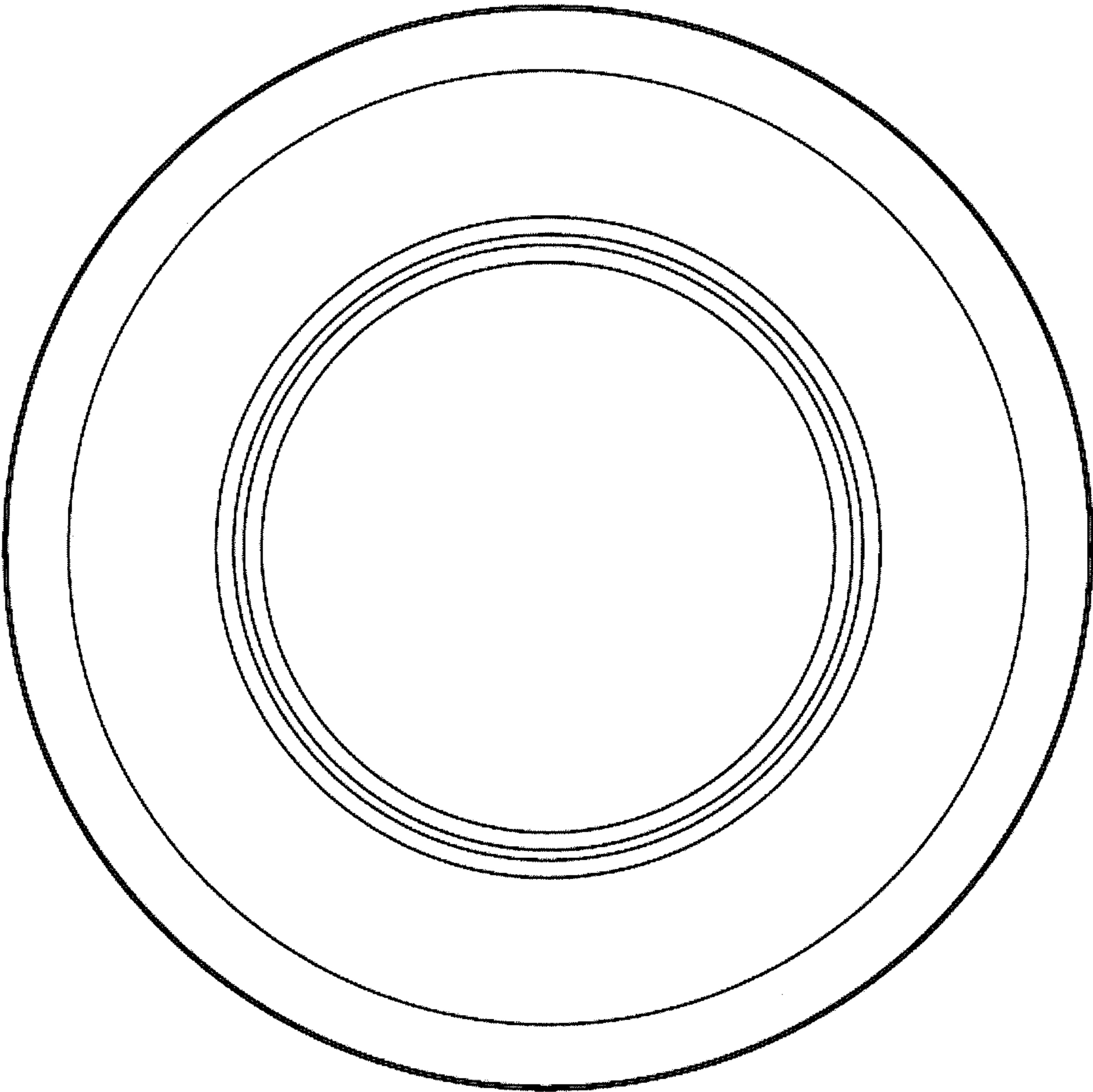


Figure 8