



US00D682624S

(12) **United States Design Patent**
Matthews et al.

(10) **Patent No.:** **US D682,624 S**

(45) **Date of Patent:** **** May 21, 2013**

(54) **DISPOSABLE LINER FOR A COOLER**

(76) Inventors: **Gina Matthews**, Westfield, NC (US);
Mark Matthews, Westfield, NC (US)

(**) Term: **14 Years**

(21) Appl. No.: **29/389,677**

(22) Filed: **Apr. 14, 2011**

(51) **LOC (9) Cl.** **07-04**

(52) **U.S. Cl.**
USPC **D7/605; D7/387**

(58) **Field of Classification Search** D7/601,
D7/602, 605, 607, 619.1, 672, 368, 354, 545,
D7/323, 387; D15/83, 89, 90; 220/495.01,
220/495.06, 495.03, 23.9; 383/10; D23/304
See application file for complete search history.

(56) **References Cited**

U.S. PATENT DOCUMENTS

1,965,138	A *	7/1934	Dunlap	47/11
2,131,855	A *	10/1938	Hummel	62/60
D235,195	S *	5/1975	Sauey, Jr. et al.	D3/294
4,047,633	A *	9/1977	Trombly	220/592.2
4,085,785	A *	4/1978	Hoot	220/592.24
D248,215	S *	6/1978	Cherry	D9/418
4,158,585	A *	6/1979	Wright	156/94
D268,622	S *	4/1983	Wolters et al.	D3/314
D275,500	S *	9/1984	Tyke	D19/76
4,801,182	A *	1/1989	Metcalf et al.	312/321.5
D334,506	S *	4/1993	Duncan	D7/605
5,715,962	A *	2/1998	McDonnell	220/4.03
5,983,832	A *	11/1999	Seo	119/170
6,026,978	A *	2/2000	Clegg et al.	220/592.1
6,056,345	A *	5/2000	Stevens	296/39.2
D432,866	S *	10/2000	Harrison	D7/545
D445,254	S *	7/2001	Jasper et al.	D3/318
6,964,421	B2 *	11/2005	Friel	280/47.31
D525,820	S *	8/2006	Oztiryaki	D7/354
7,162,890	B2 *	1/2007	Mogil et al.	62/457.7
D540,039	S *	4/2007	van Beuningen	D3/314

D553,444	S *	10/2007	de Groote et al.	D7/602
D569,169	S *	5/2008	Munson	D7/354
D574,179	S *	8/2008	DeLuca	D7/354
D590,567	S *	4/2009	Latham	D34/27
D601,382	S *	10/2009	Ishida	D7/538
D613,109	S *	4/2010	Sanchez et al.	D7/392
D639,000	S *	5/2011	Weber	D30/161

(Continued)

Primary Examiner — Jeffrey D Asch

(74) *Attorney, Agent, or Firm* — Moore & Van Allen, PLLC;
W. Kevin Ransom

(57) **CLAIM**

The ornamental design for a disposable liner for a cooler, as shown and described.

DESCRIPTION

FIG. 1 is a perspective view of a liner according to the present invention;

FIG. 2 is an elevational view of the front side of the liner of FIG. 1;

FIG. 3 is an elevational view of the rear side of the liner of FIG. 1;

FIG. 4 is an elevational view of the right side of the liner of FIG. 1;

FIG. 5 is an elevational view of the left side of the liner of FIG. 1;

FIG. 6 is a plan view of the top side of the liner of FIG. 1;

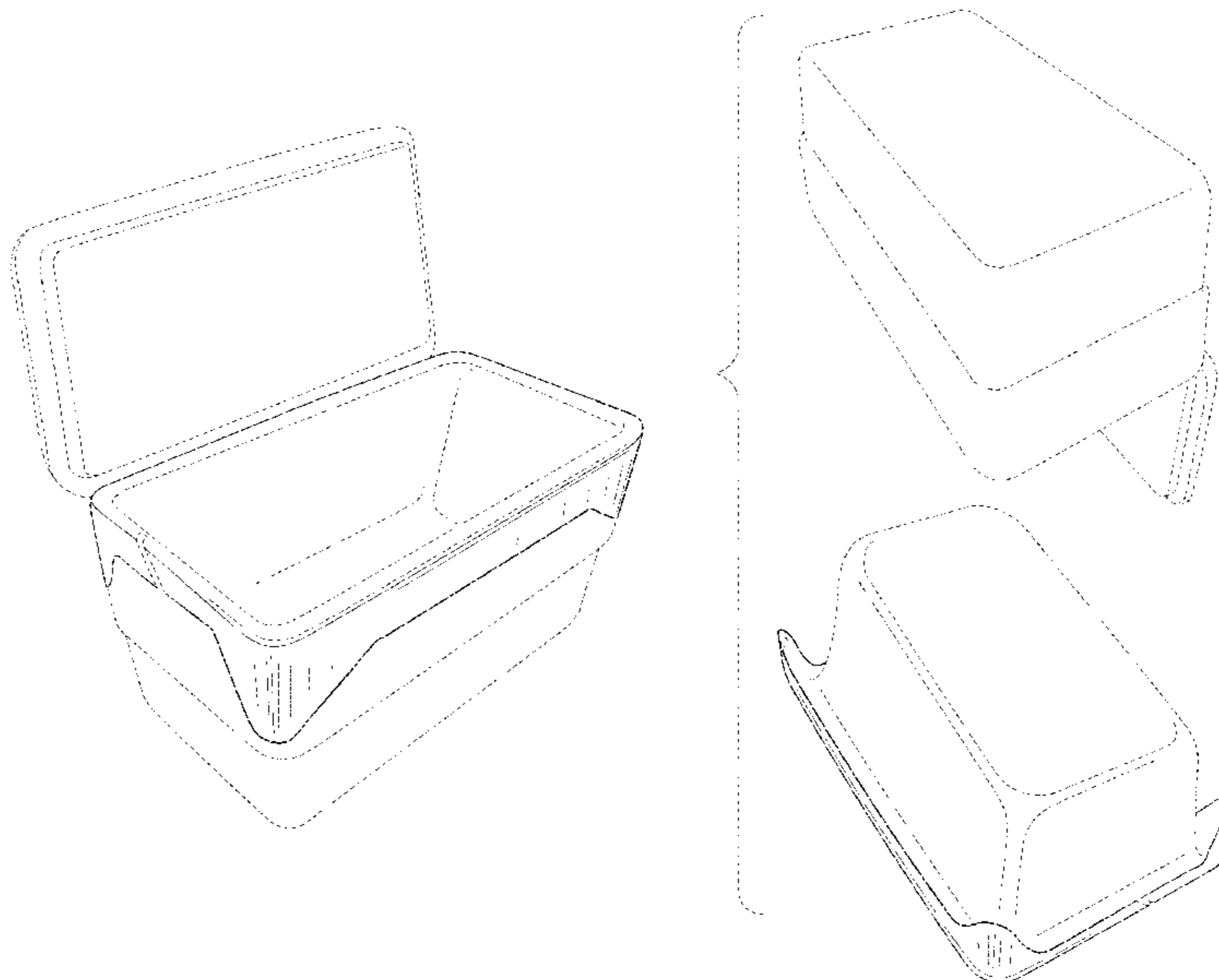
FIG. 7 is a plan view of the bottom side of the liner of FIG. 1;

FIG. 8 is an exploded, perspective view of the liner of FIG. 1 viewed from an upper perspective; and,

FIG. 9 is an exploded, perspective view of the liner of FIG. 1 viewed from a lower perspective.

The broken lines shown in the drawings are for the purpose of illustrating cooler and unclaimed portions of disposable liner for a cooler; the broken lines form no part of the claimed design.

1 Claim, 7 Drawing Sheets



US D682,624 S

Page 2

U.S. PATENT DOCUMENTS

2004/0083981	A1*	5/2004	Nye et al.	119/166	2010/0078441	A1*	4/2010	Barnett	220/592.2
2006/0113307	A1*	6/2006	Goulette	220/495.06	2011/0182532	A1*	7/2011	Baltus	383/109
2007/0295735	A1*	12/2007	Futernick	220/592.26	2012/0187019	A1*	7/2012	Tippet et al.	206/524.6
2008/0006638	A1*	1/2008	Yang et al.	220/495.11					

* cited by examiner

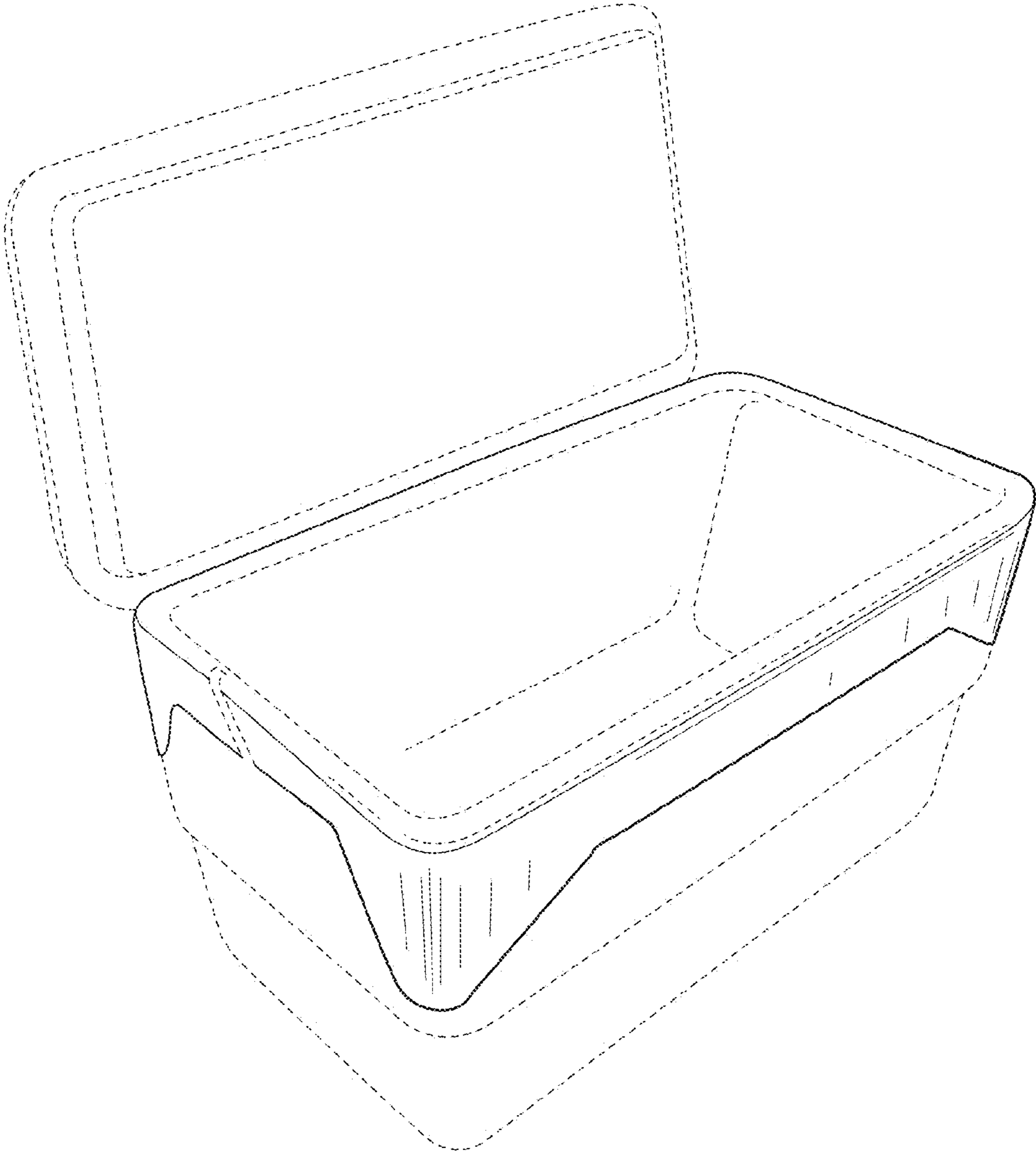


FIG. 1

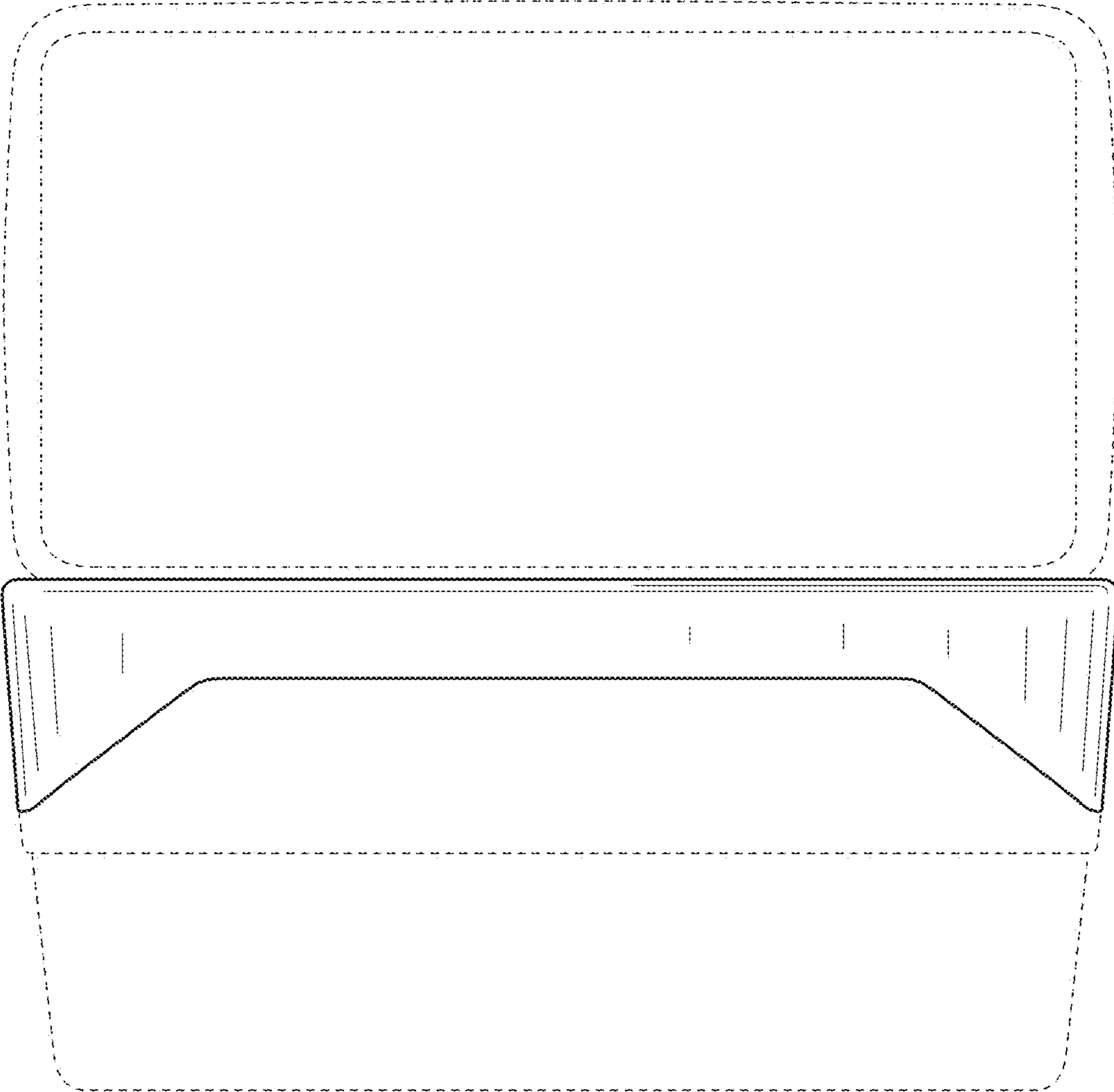


FIG. 2

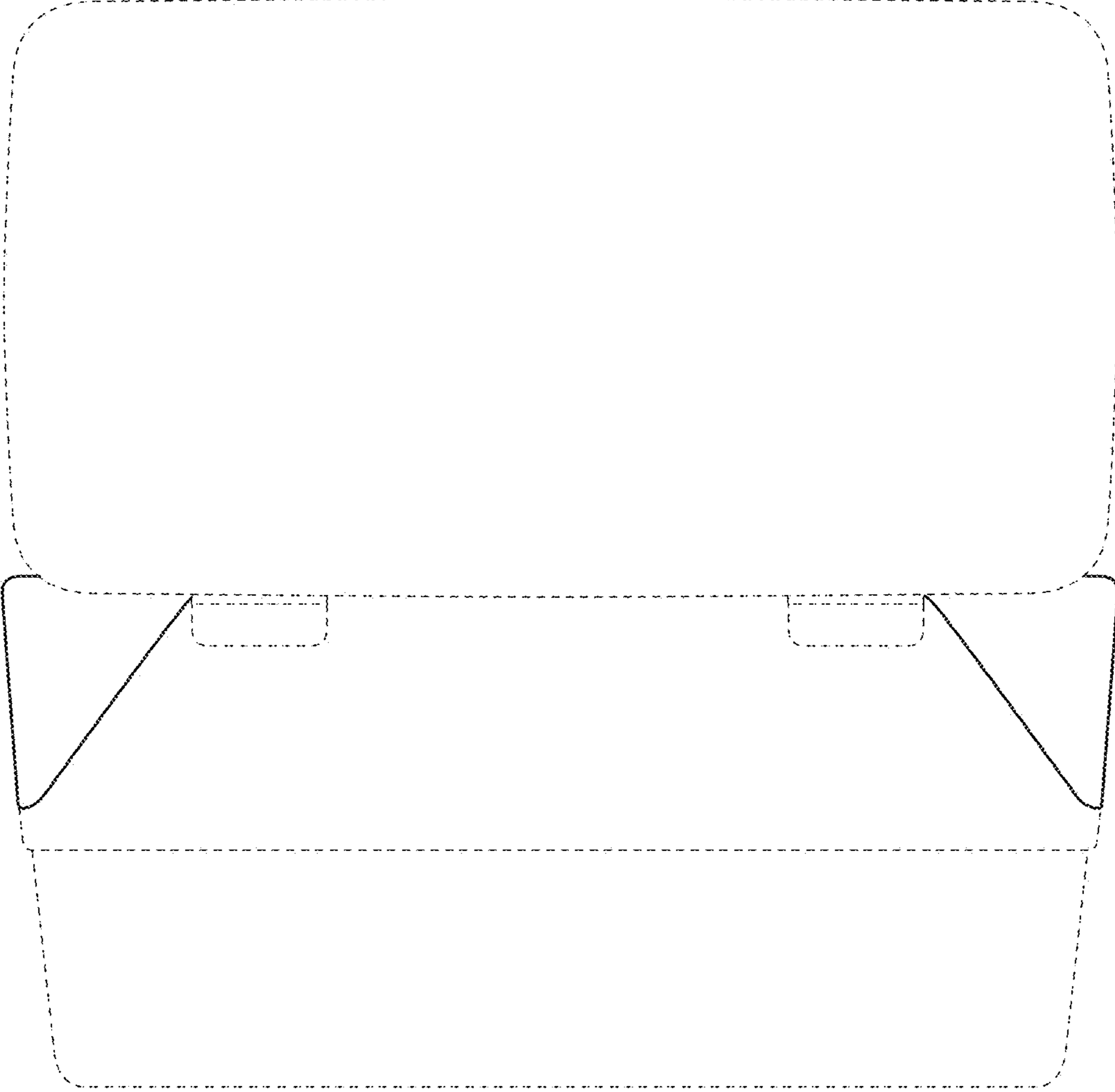


FIG. 3

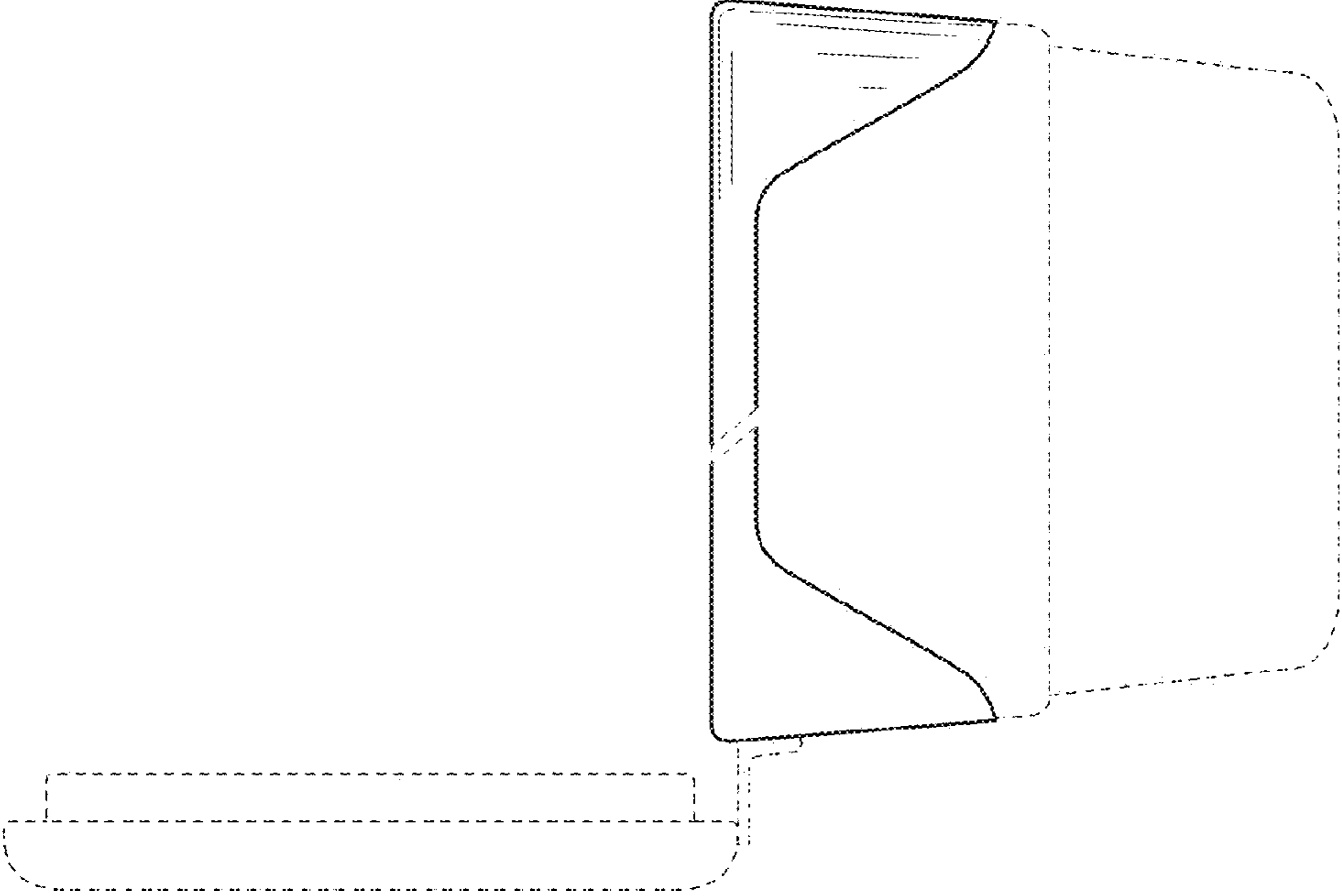


FIG. 4

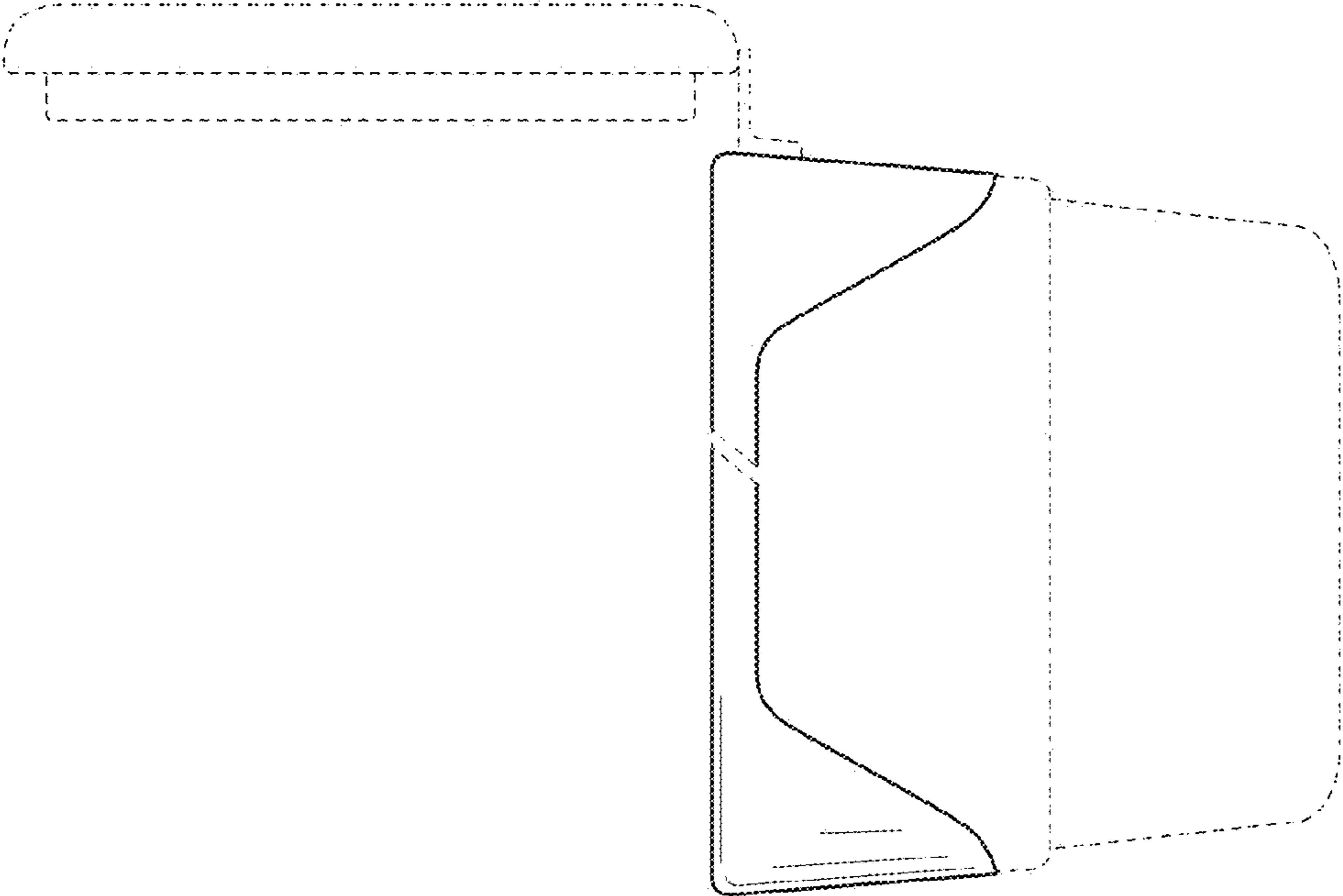


FIG. 5

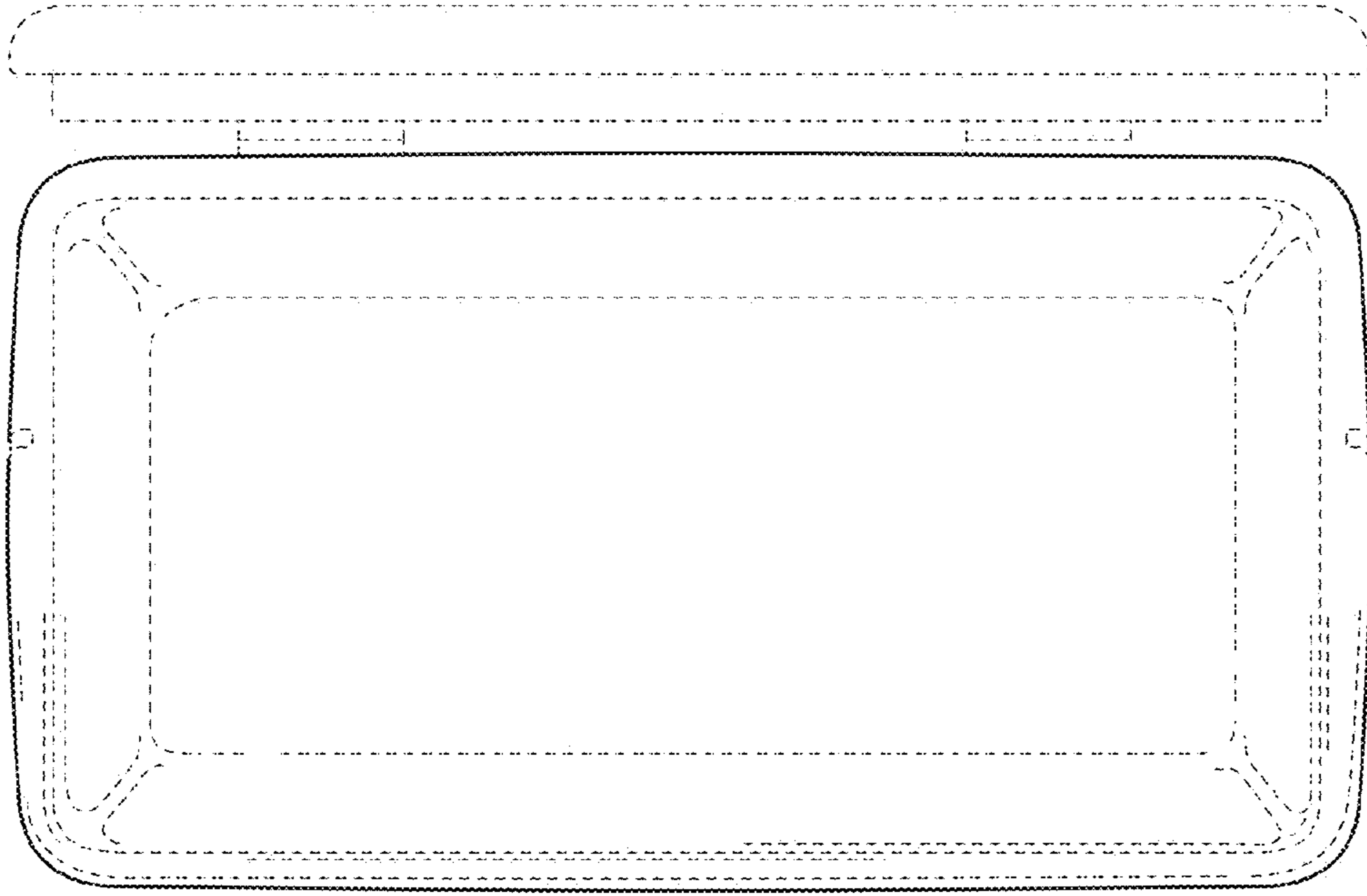


FIG. 6

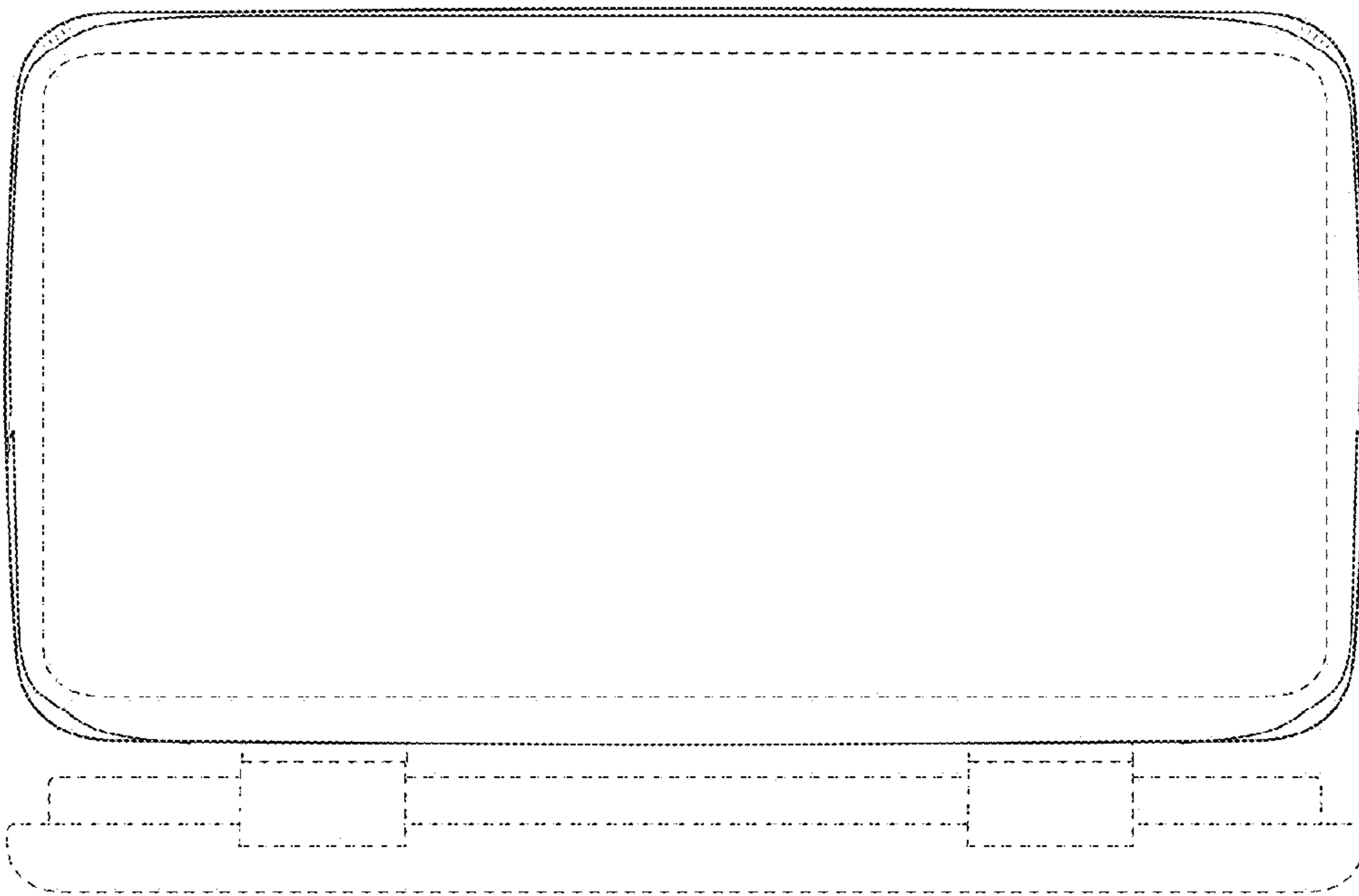


FIG. 7

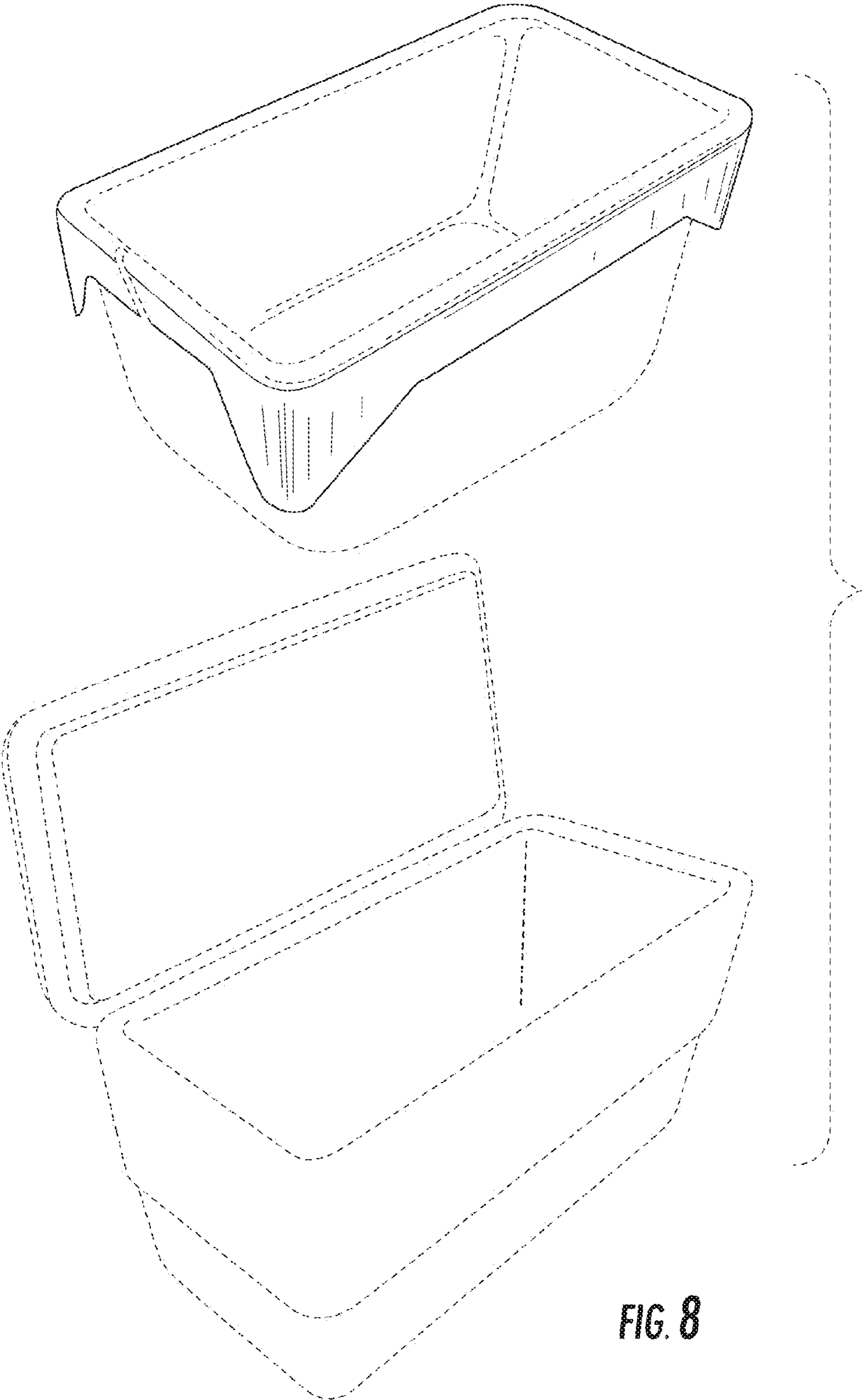


FIG. 8

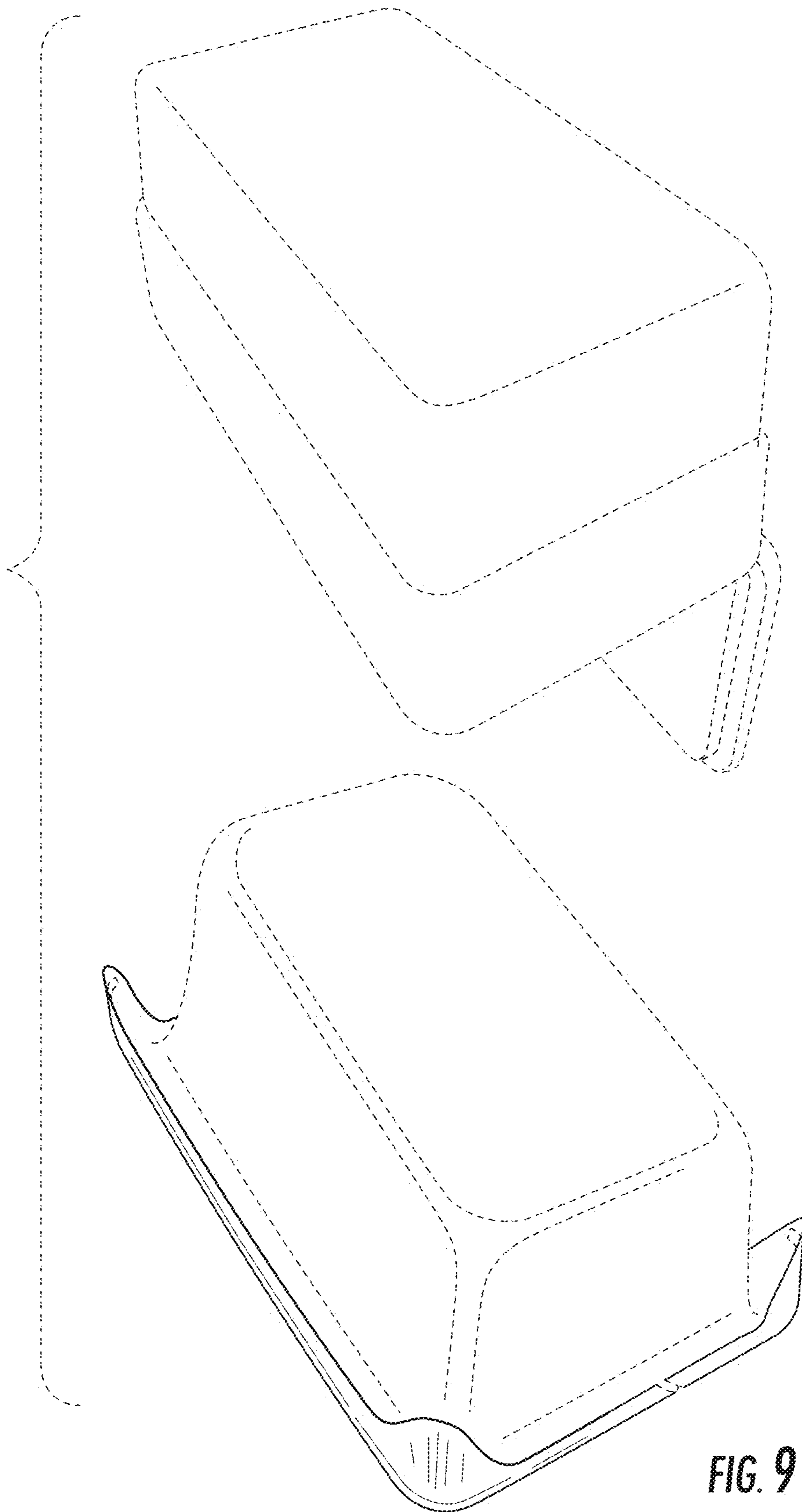


FIG. 9