



US00D682623S

(12) **United States Design Patent**
Rones

(10) **Patent No.:** **US D682,623 S**

(45) **Date of Patent:** **** May 21, 2013**

- (54) **CAPSULE HOLDER CABINET**
- (75) **Inventor:** **Sean Rones, San Diego, CA (US)**
- (73) **Assignee:** **Sean Rones, San Diego, CA (US)**
- (**) **Term:** **14 Years**
- (21) **Appl. No.:** **29/414,711**
- (22) **Filed:** **Mar. 2, 2012**
- (51) **LOC (9) Cl.** **07-06**
- (52) **U.S. Cl.**
USPC **D7/600.1**
- (58) **Field of Classification Search**
USPC D7/600, 600.1, 600.2, 600.3, 600.4,
D7/392, 397, 589, 590, 596, 597, 601, 602,
D7/609, 610, 612, 614, 615, 620-623, 628-632,
D7/637-641, 701-708, 708.1, 709, 710;
D3/201, 203.1-203.4, 203.8, 275, 276, 283,
D3/291, 295-298, 302, 304, 306, 307, 313,
D3/315, 319; D6/436, 449, 458, 462, 509,
D6/510, 512, 514, 521, 525, 573, 574; D19/75,
D19/77, 78, 83, 86, 92; 211/77, 78, 126.11,
211/126.15, 129.1, 131.1, 133.1, 133.2, 133.4,
211/133.5, 133.6; 312/323, 330.1, 334.27,
312/408; 220/4.01, 4.07, 4.22, 4.23, 523,
220/524, 525, 526, 544, 811, 812; 206/6.1;
D28/73, 78
See application file for complete search history.

(56) **References Cited**

U.S. PATENT DOCUMENTS

- 828,151 A * 8/1906 Upjohn 220/351
- 889,568 A * 6/1908 Albrecht 206/1.5

- D89,284 S * 2/1933 Mahnk D3/302
- D93,084 S * 8/1934 Baum D3/203.1
- 2,917,162 A * 12/1959 Horland 206/536
- D187,389 S * 3/1960 Becken D9/425
- 3,896,967 A * 7/1975 Doolittle 221/95
- 5,620,109 A * 4/1997 Madden 220/345.4
- D414,036 S * 9/1999 Conway D3/264
- D583,548 S * 12/2008 Oas D3/203.2
- 2010/0191677 A1 * 7/2010 Honig 705/500

* cited by examiner

Primary Examiner — Ian Simmons
Assistant Examiner — Shannon Weekley

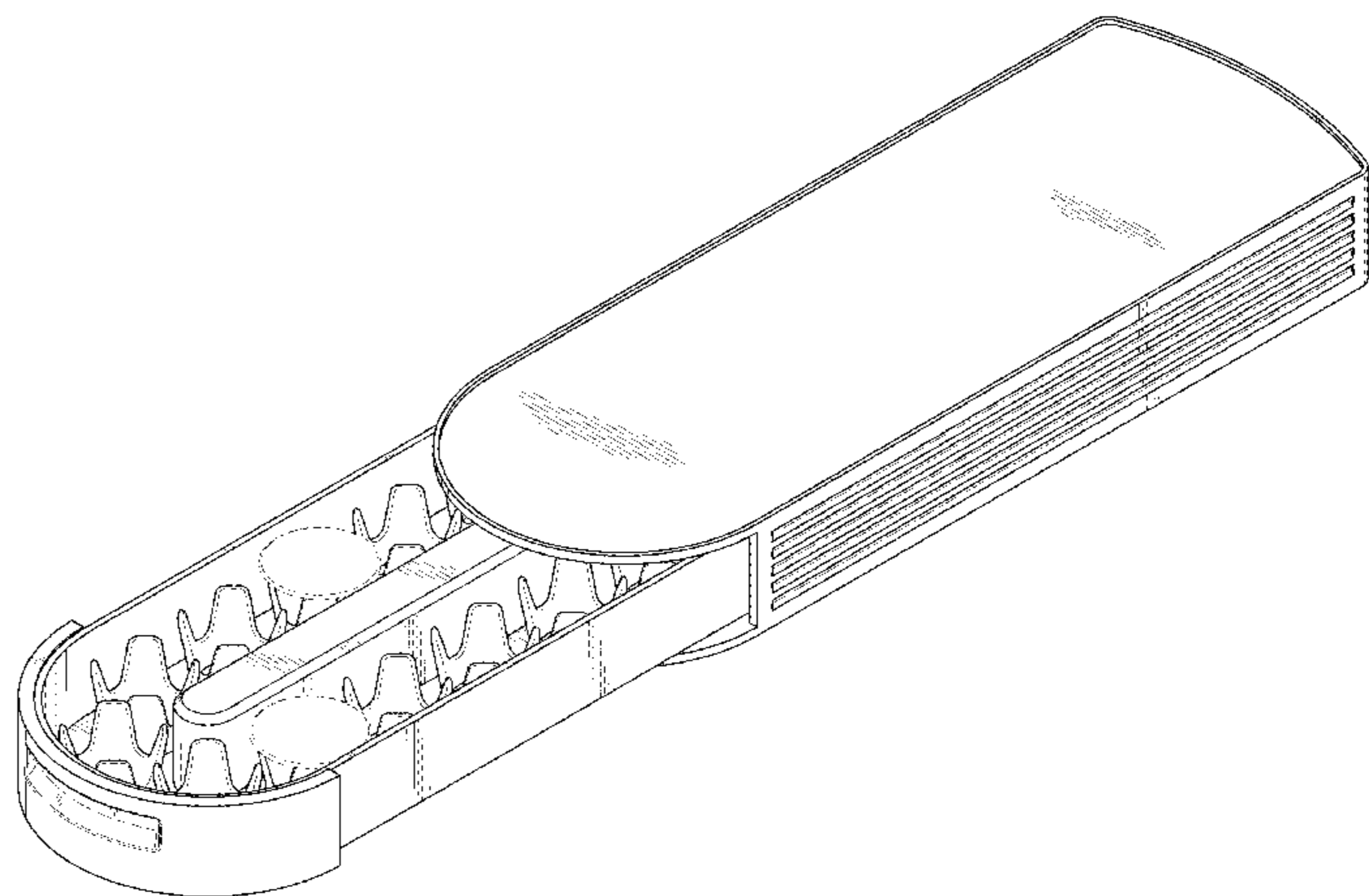
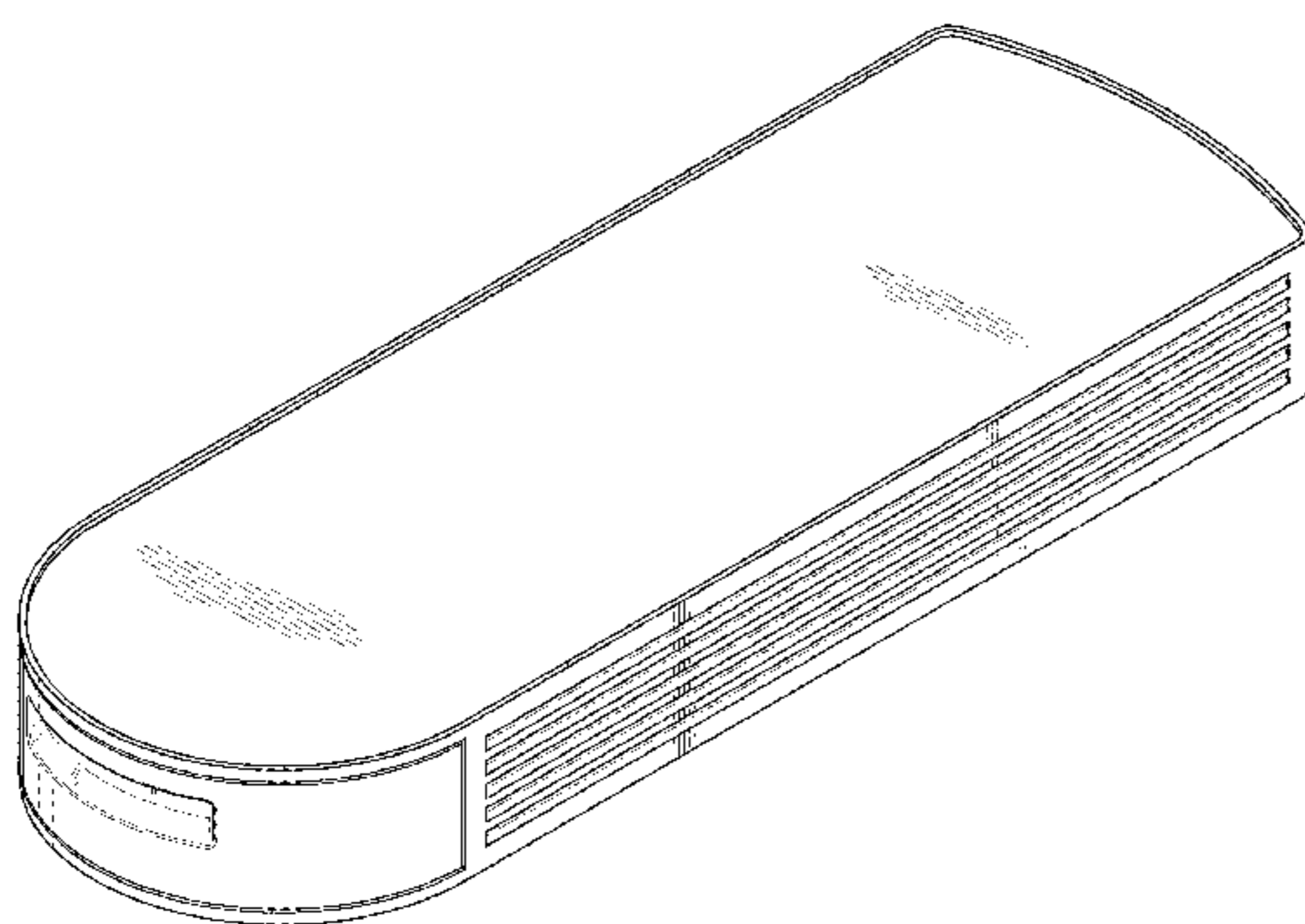
(57) **CLAIM**

The ornamental design for a capsule holder cabinet, as shown and described.

DESCRIPTION

FIG. 1 is a Front perspective of a capsule holder cabinet showing my new design;
 FIG. 2 is a Front view thereof;
 FIG. 3 is a Back view thereof;
 FIG. 4 is a Left Side view thereof;
 FIG. 5 is a Right Side view thereof;
 FIG. 6 is a Bottom view thereof.
 FIG. 7 is a Top view thereof.
 FIG. 8 is a Front view shown in the open position thereof; and,
 FIG. 9 is a Front view showing environment thereof.
 The broken lines shown in FIGS. 8 and 9 of the capsule holder cabinet, which are immediately adjacent to claimed surfaces, are directed to the environment and are for illustrative purposes only; the broken lines form no part of the claimed design.

1 Claim, 7 Drawing Sheets



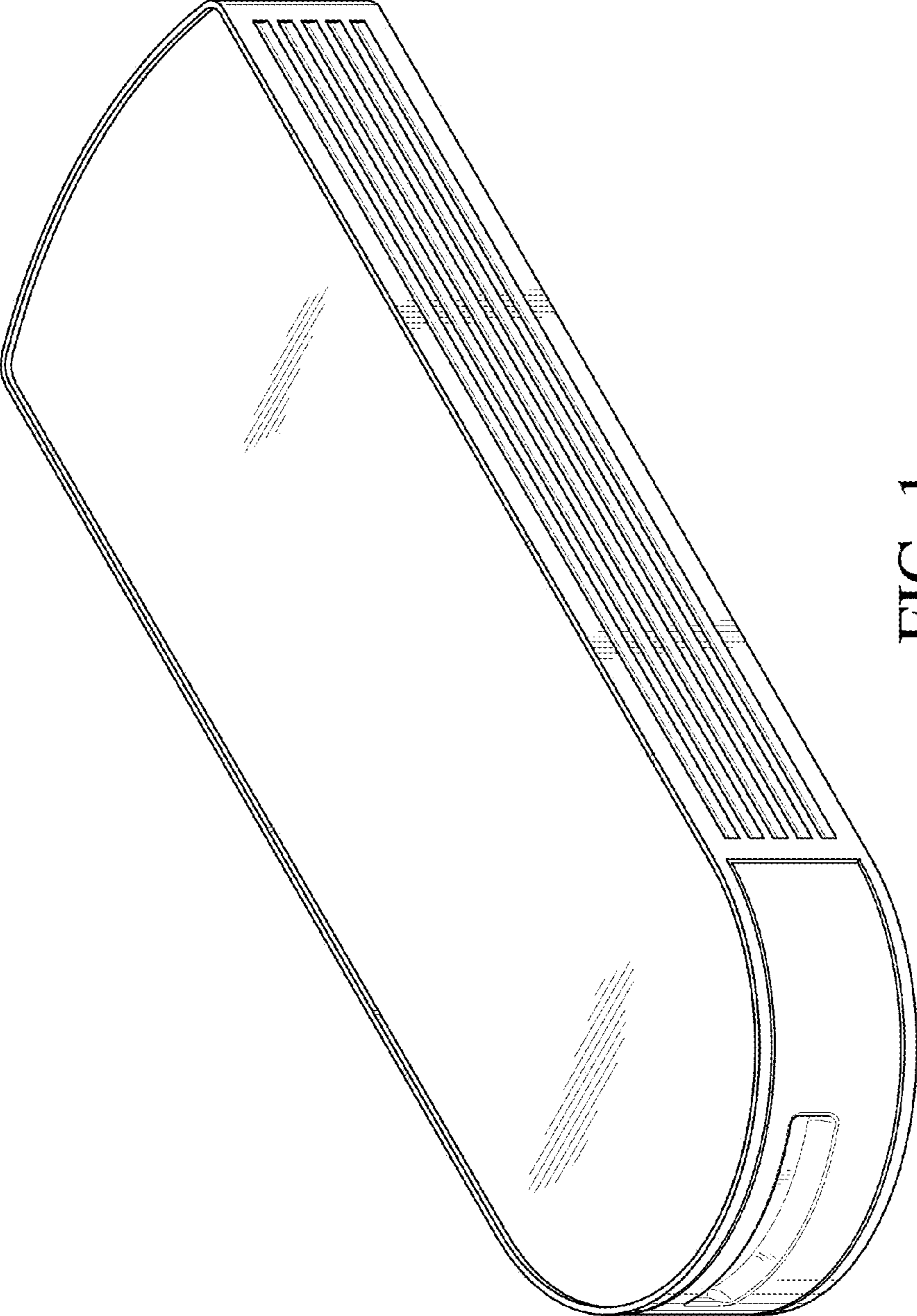


FIG. 1

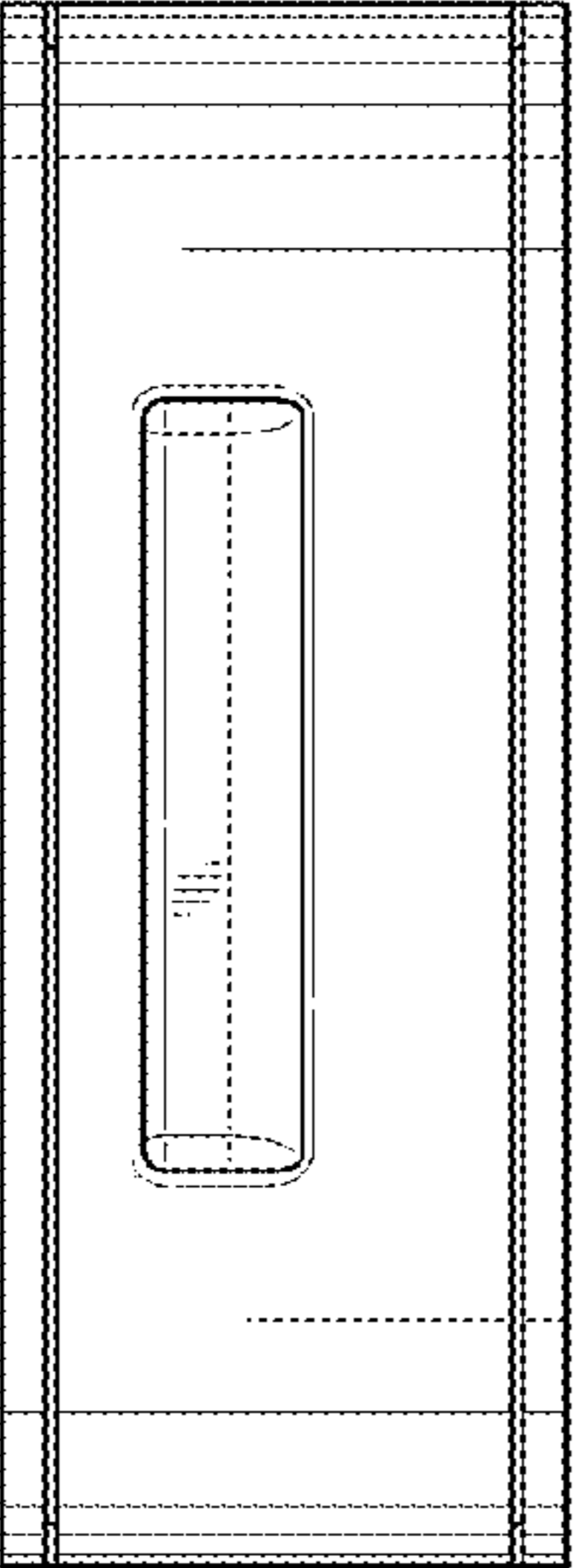


FIG. 2

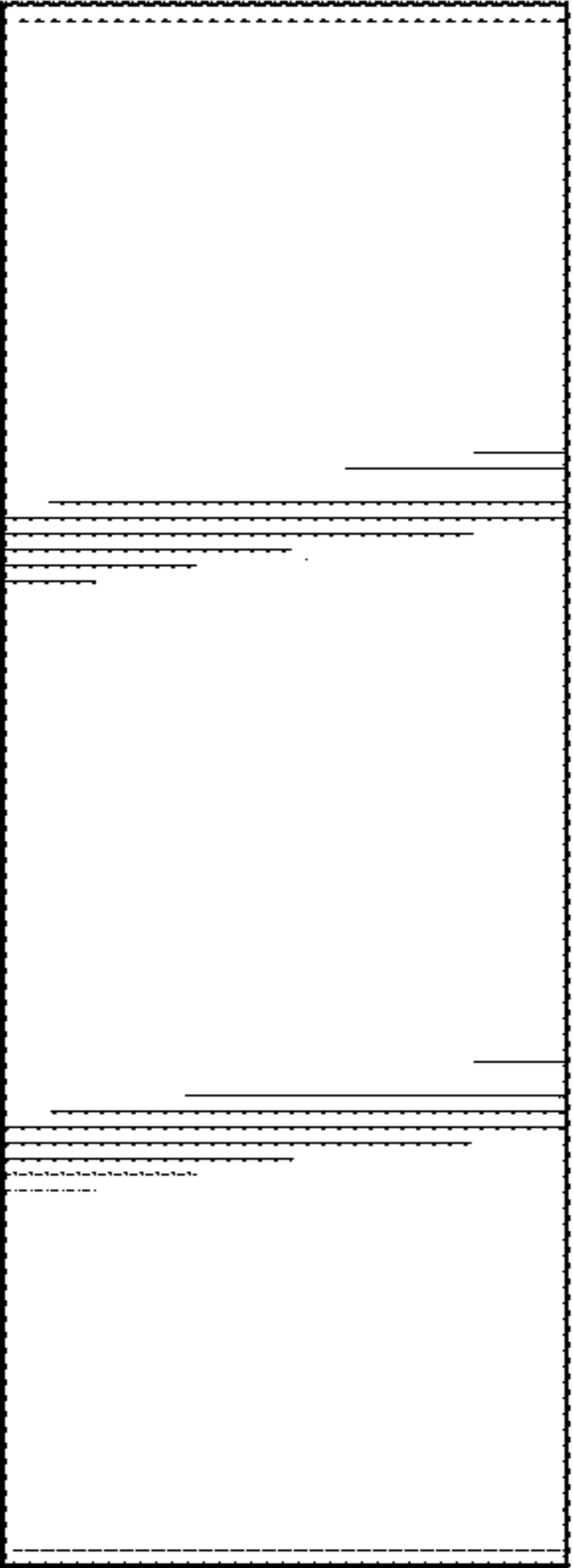


FIG. 3

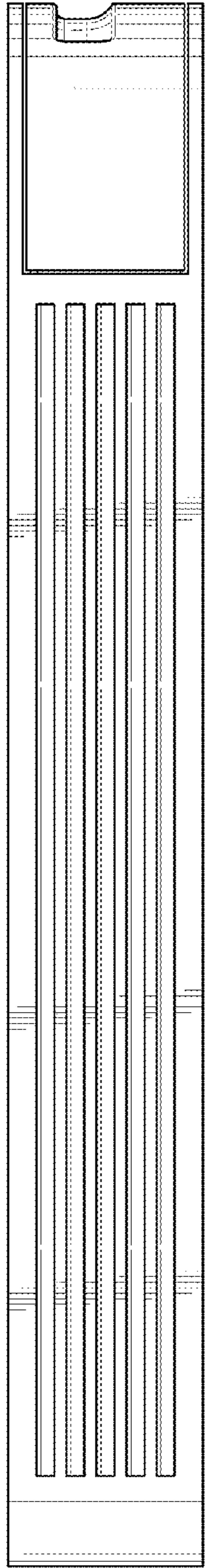


FIG. 4

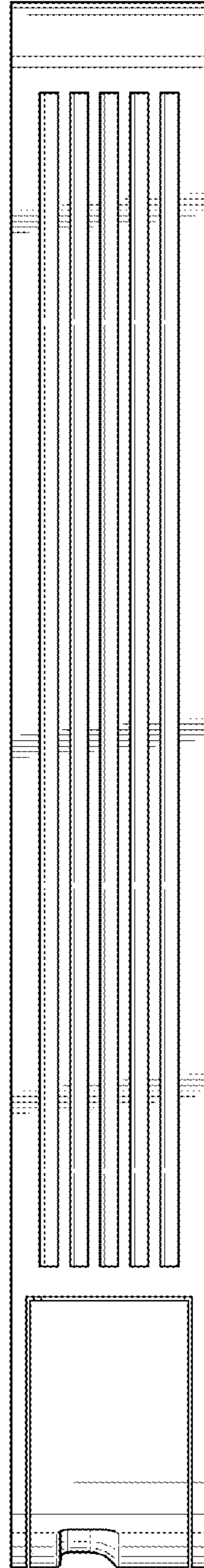


FIG. 5

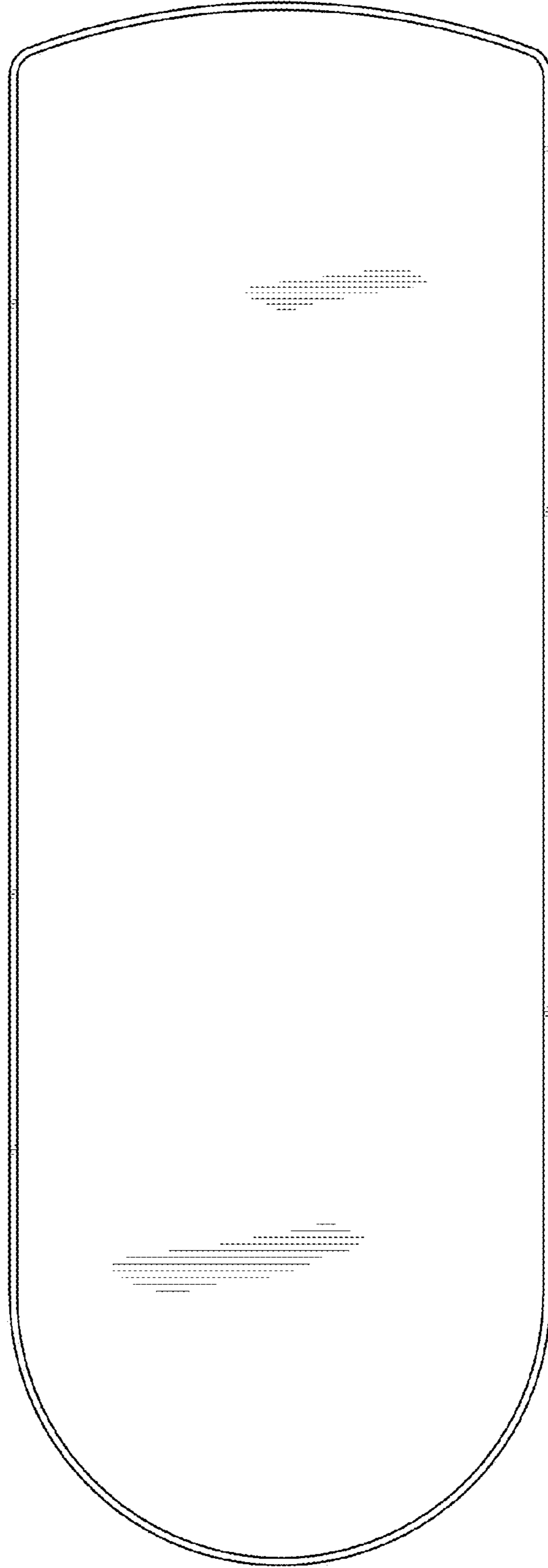


FIG. 6

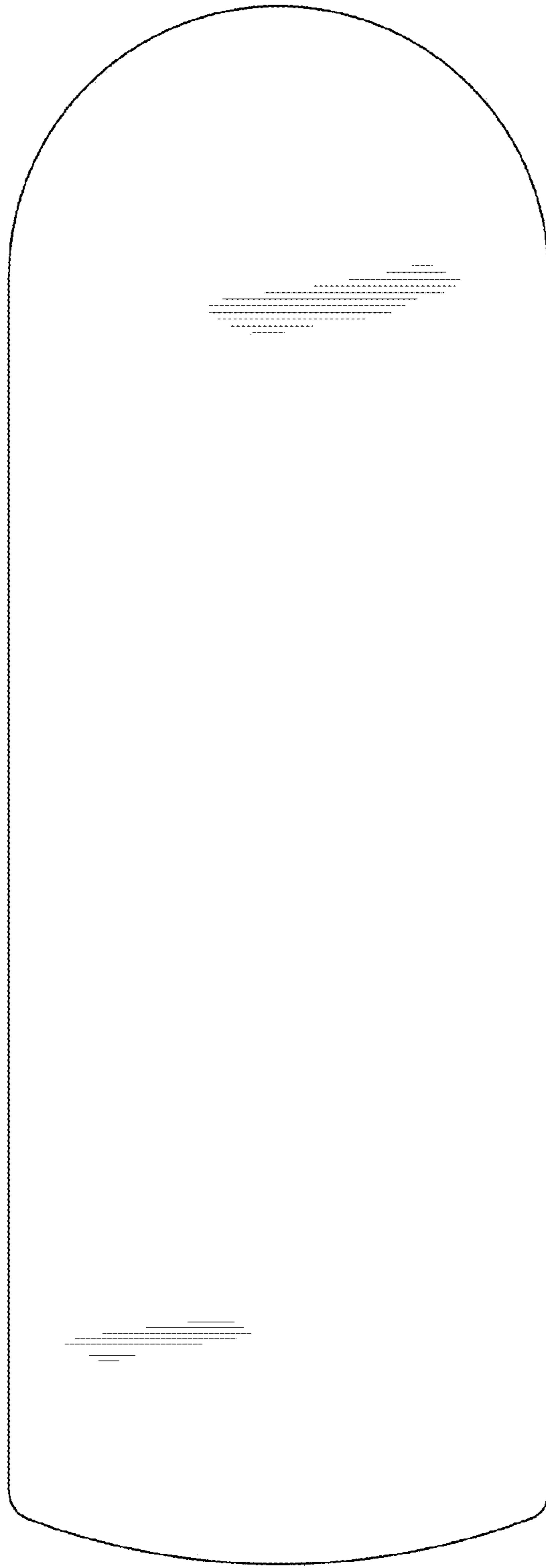


FIG. 7

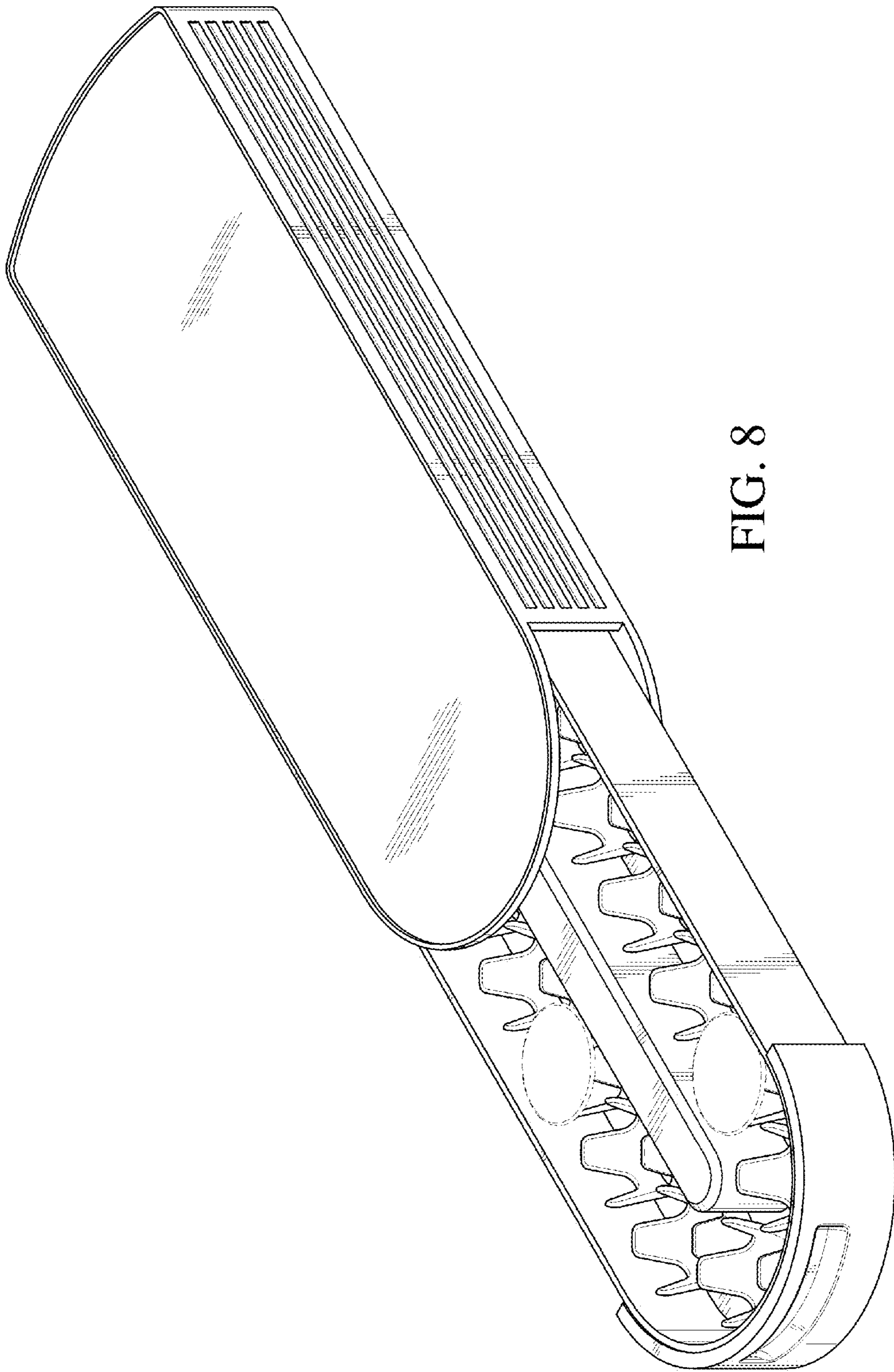


FIG. 8

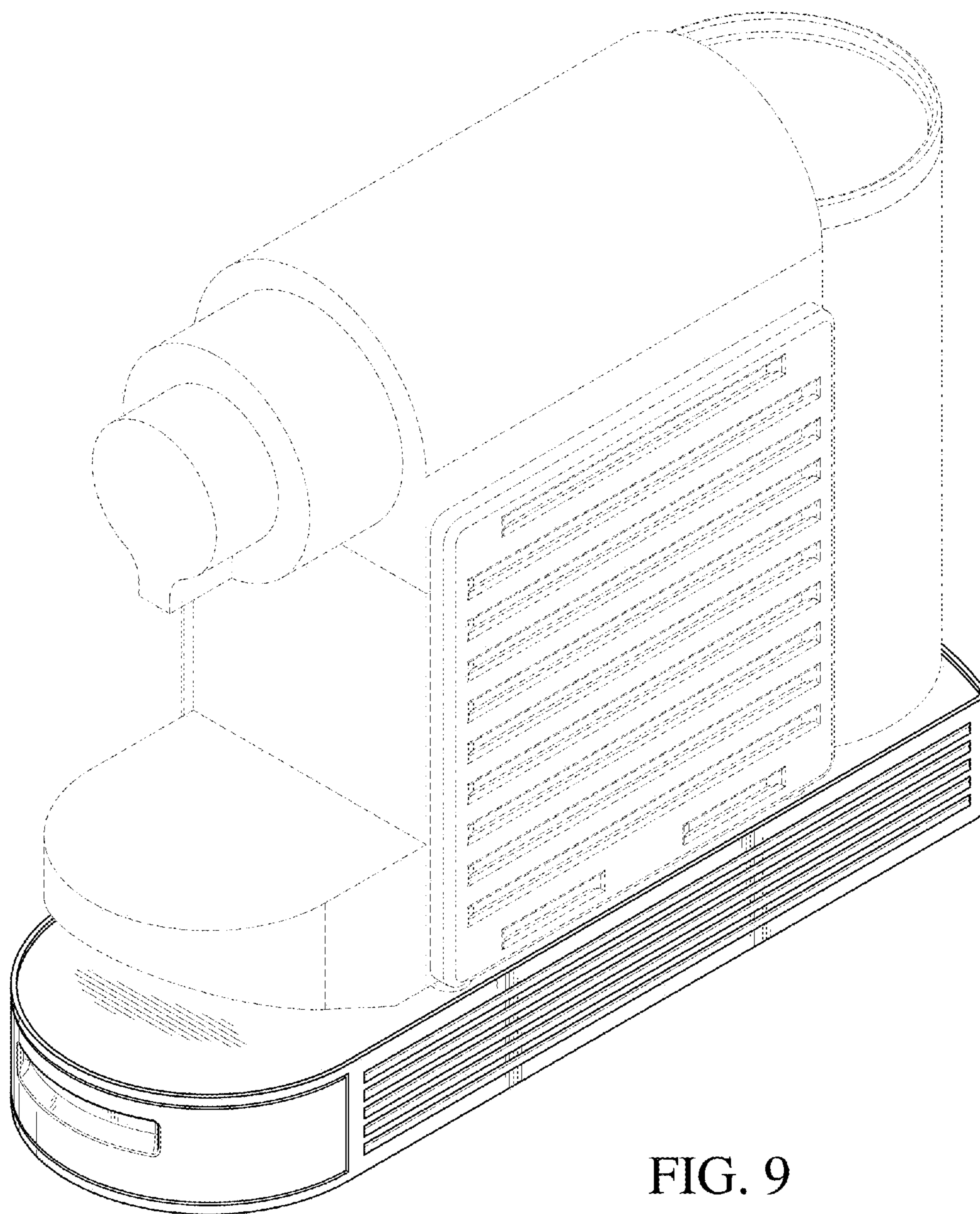


FIG. 9