



US00D682619S

(12) **United States Design Patent**
Lee et al.

(10) **Patent No.:** **US D682,619 S**

(45) **Date of Patent:** **** May 21, 2013**

(54) **PINCH BOWL**

Primary Examiner — Cynthia Underwood

(74) *Attorney, Agent, or Firm* — Florek & Endres PLLC

(71) Applicant: **Robinson Home Products Inc.**,
Williamsville, NY (US)

(72) Inventors: **Stuart Harvey Lee**, Forest Hills, NY
(US); **Jochen Schaeppers**, New York, NY
(US)

(57) **CLAIM**

We claim the ornamental design for a pinch bowl, as shown
and described.

(73) Assignee: **Robinson Home Products Inc.**,
Williamsville, NY (US)

DESCRIPTION

(**) Term: **14 Years**

(21) Appl. No.: **29/434,703**

(22) Filed: **Oct. 16, 2012**

Related U.S. Application Data

(63) Continuation-in-part of application No. 29/420,168,
filed on May 4, 2012, now Pat. No. Des. 672,200,
which is a continuation-in-part of application No.
29/397,761, filed on Jul. 20, 2011, now Pat. No. Des.
652,258.

(51) **LOC (9) Cl.** **07-01**

(52) **U.S. Cl.**
USPC **D7/543; D7/586; D7/566**

(58) **Field of Classification Search**
USPC D7/501, 505, 538, 543, 545, 500,
D7/590, 360, 600.2, 553.6, 392.1, 601, 354,
D7/555, 557, 566, 620, 629, 552.1, 589, 586;
D9/743, 745; 220/751, 23.4, 574; 206/514;
73/426

See application file for complete search history.

(56) **References Cited**

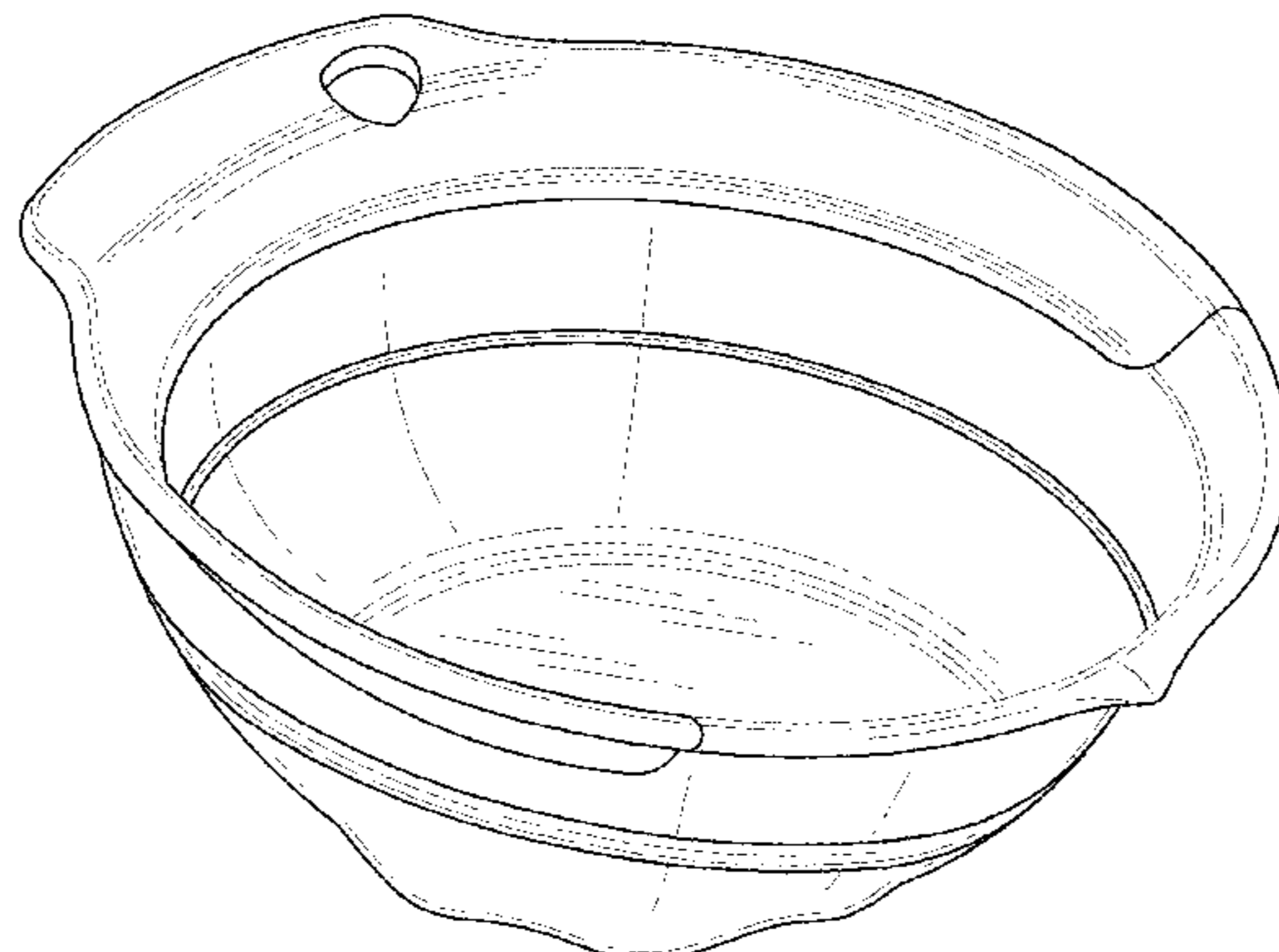
U.S. PATENT DOCUMENTS

| | | | | | | |
|-----------|---|---|---------|------------------|-------|---------|
| D222,177 | S | * | 10/1971 | Tondu | | D7/543 |
| D347,969 | S | * | 6/1994 | Cousins et al. | | D7/548 |
| 5,423,452 | A | * | 6/1995 | Tardif | | 220/574 |
| D477,186 | S | * | 7/2003 | de Groote et al. | | D7/543 |
| D484,363 | S | * | 12/2003 | de Groote et al. | | D7/543 |

(Continued)

FIG. 1 is a perspective view of the pinch bowl of the present invention.
 FIG. 2 is a rear elevation view of the pinch bowl of the present invention.
 FIG. 3 is a front elevation view of the pinch bowl of the present invention.
 FIG. 4 is a left side elevation view of the pinch bowl of the present invention.
 FIG. 5 is a right side elevation view of the pinch bowl of the present invention.
 FIG. 6 is a top plan view of the pinch bowl of the present invention.
 FIG. 7 is a bottom plan view of the pinch bowl of the present invention.
 FIG. 8 is a perspective view of a smaller embodiment of the pinch bowl of the present invention.
 FIG. 9 is a rear elevation view of a smaller embodiment of the pinch bowl of the present invention.
 FIG. 10 is a front elevation view of a smaller embodiment of the pinch bowl of the present invention.
 FIG. 11 is a left side elevation view of a smaller embodiment of the pinch bowl of the present invention.
 FIG. 12 is a right side elevation view of a smaller embodiment of the pinch bowl of the present invention.
 FIG. 13 is a top plan view of a smaller embodiment of the pinch bowl of the present invention; and,
 FIG. 14 is a bottom plan view of a smaller embodiment of the pinch bowl of the present invention.
 The broken lines in the drawings represent unclaimed features.

1 Claim, 14 Drawing Sheets



US D682,619 S

Page 2

U.S. PATENT DOCUMENTS

| | | | | | | | |
|--------------|---------|-----------------------|---------|-------------------|---------|---------------------|---------|
| D522,313 S * | 6/2006 | Oyler et al. | D7/543 | D571,614 S * | 6/2008 | Curtin | D7/545 |
| D522,809 S * | 6/2006 | Kusuma et al. | D7/602 | D627,198 S * | 11/2010 | Hull et al. | D7/587 |
| D524,603 S * | 7/2006 | Kishbaugh et al. | D7/543 | D639,115 S * | 6/2011 | Stewart et al. | D7/543 |
| D526,850 S * | 8/2006 | Sellers et al. | D7/545 | D643,248 S * | 8/2011 | Schmidt | D7/505 |
| D538,599 S * | 3/2007 | Miller | D7/586 | D645,705 S * | 9/2011 | Shamoon | D7/543 |
| D545,629 S * | 7/2007 | Mellen et al. | D7/543 | D656,792 S * | 4/2012 | Sink et al. | D7/586 |
| D556,501 S * | 12/2007 | Stewart et al. | D7/354 | 2005/0127073 A1 * | 6/2005 | Kusuma et al. | 220/6 |
| D564,138 S * | 3/2008 | Dunn et al. | D30/129 | 2010/0170840 A1 * | 7/2010 | Curtin | 210/232 |

* cited by examiner

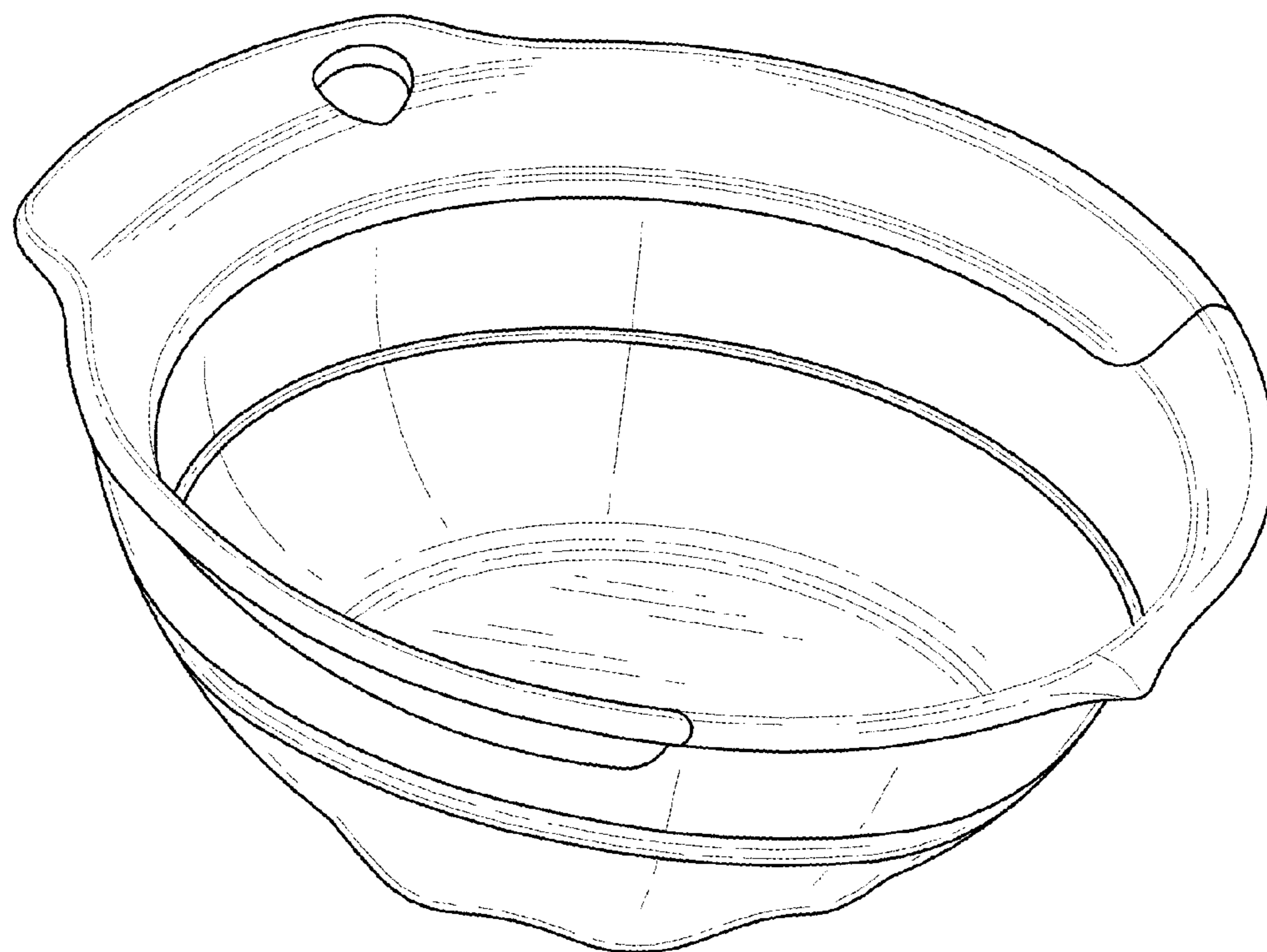


FIG. 1

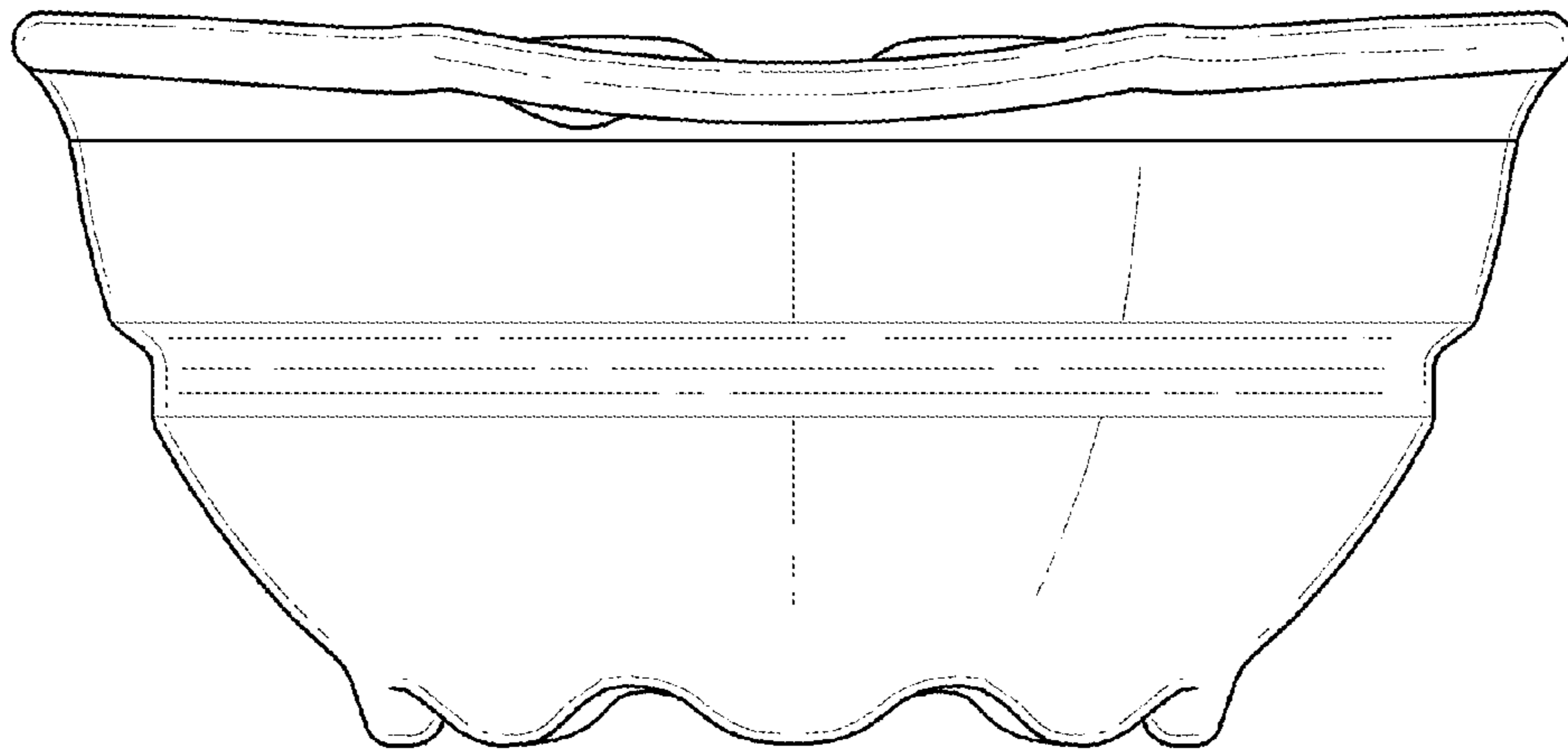


FIG. 2

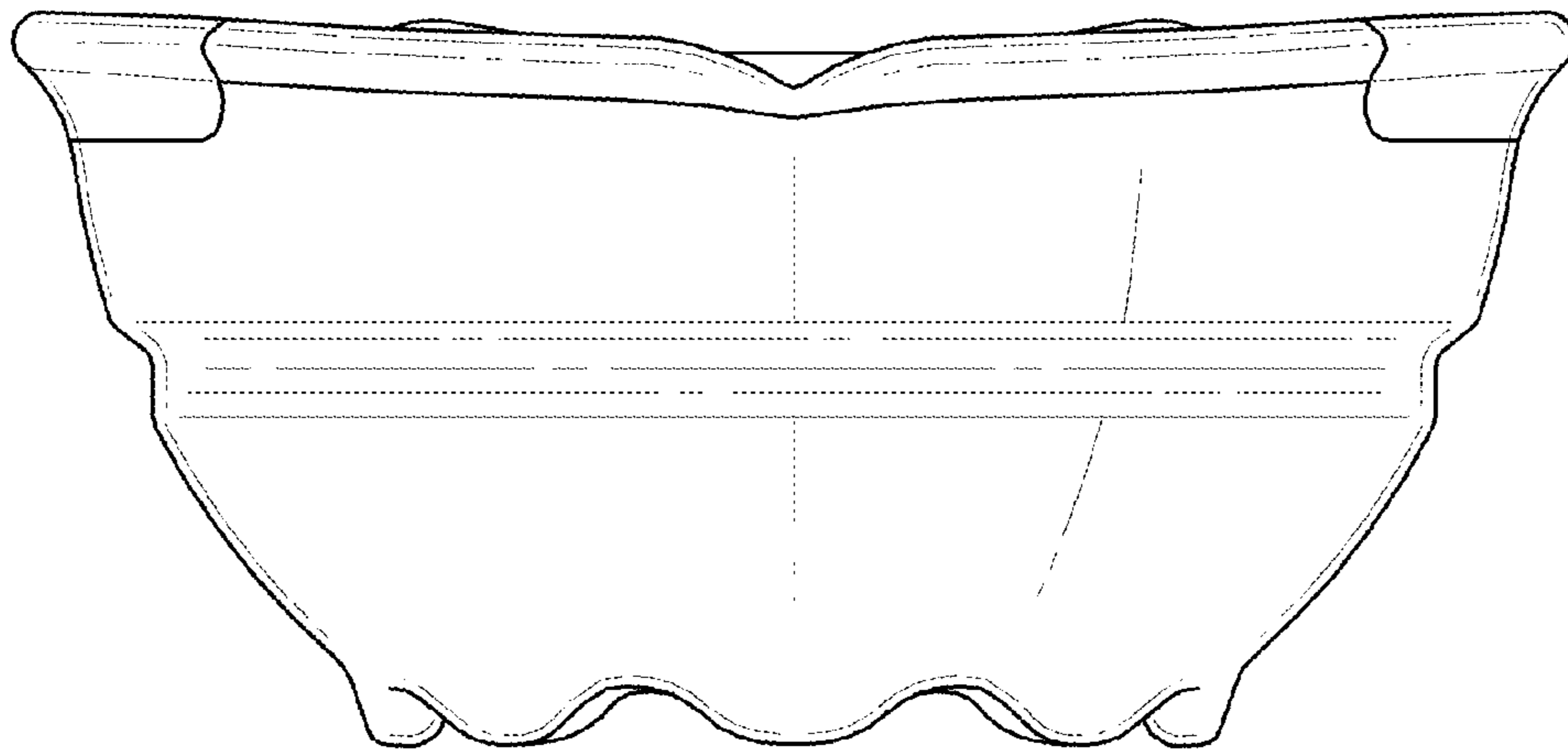


FIG. 3

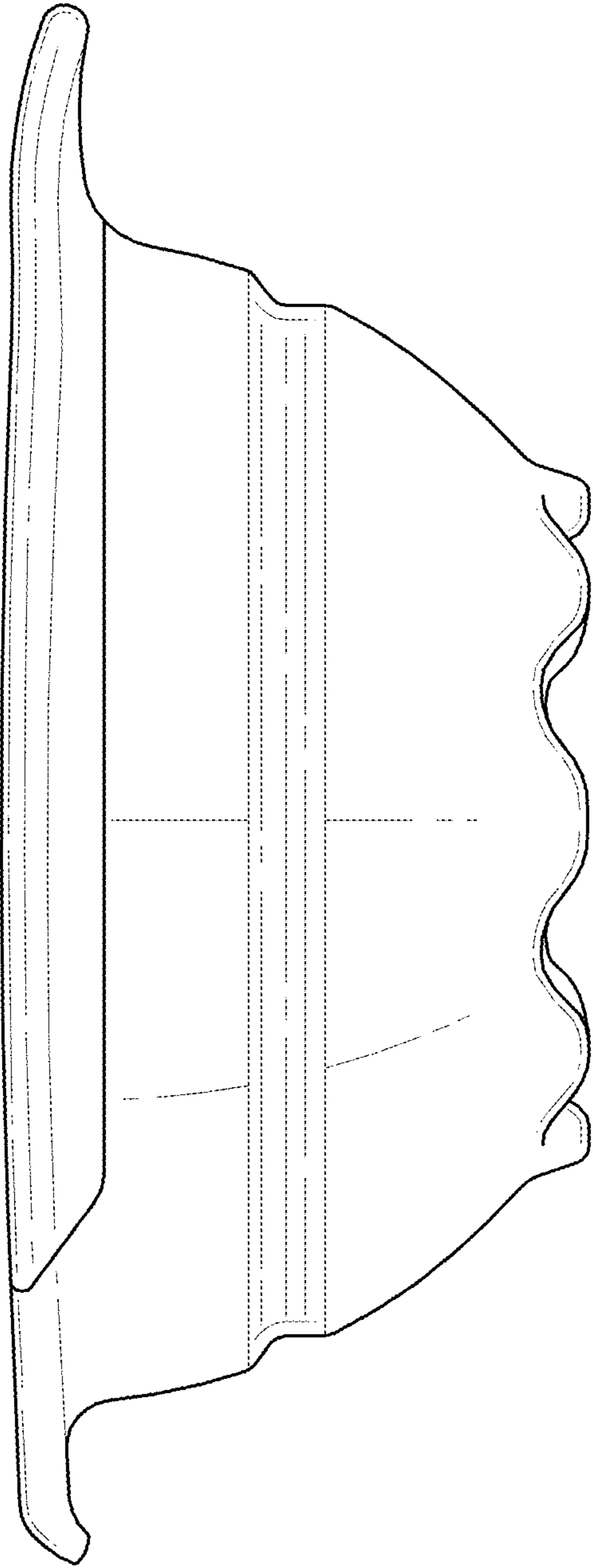


FIG. 4

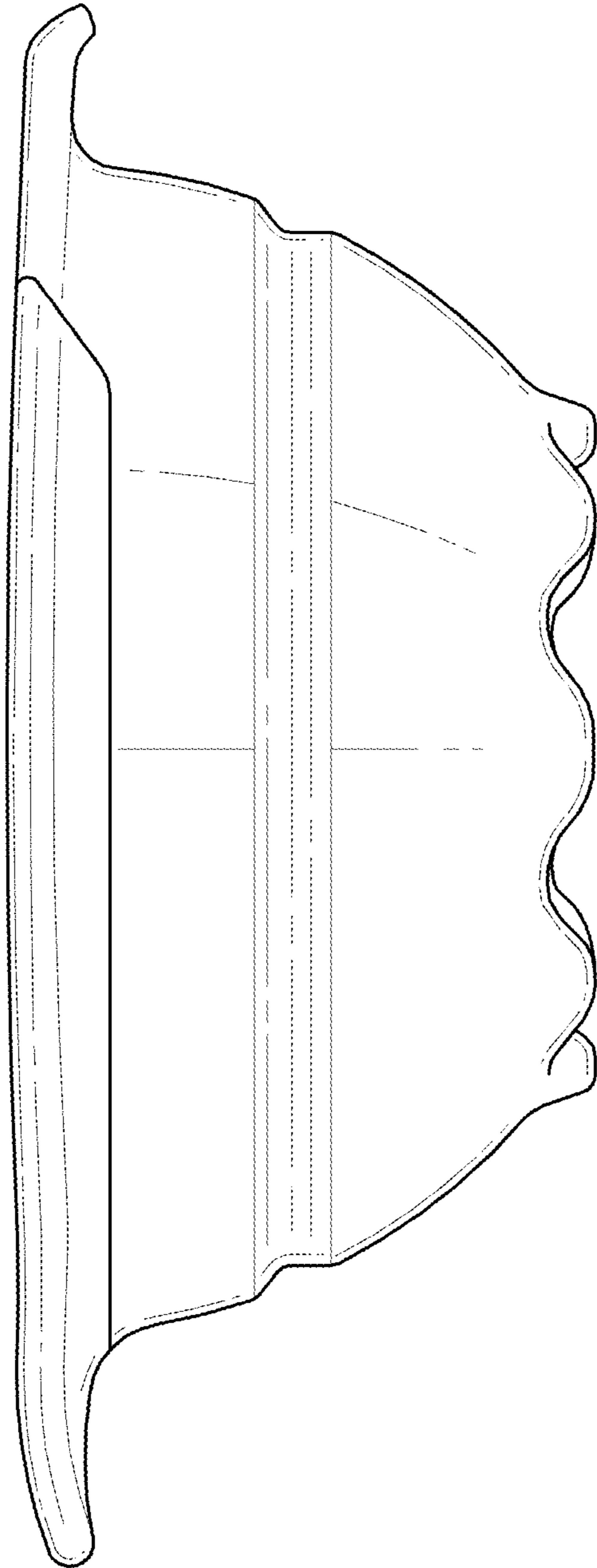


FIG. 5

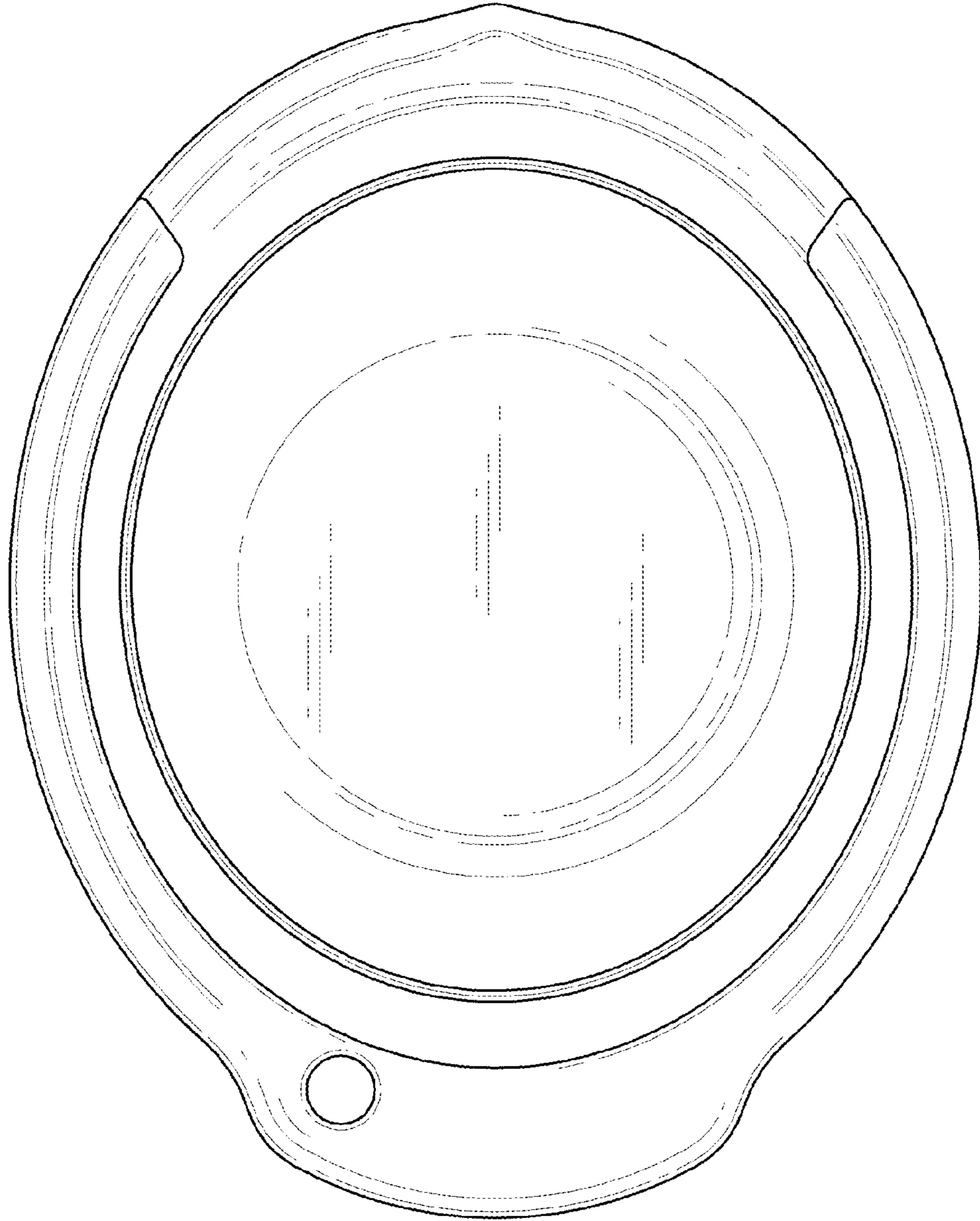


FIG. 6

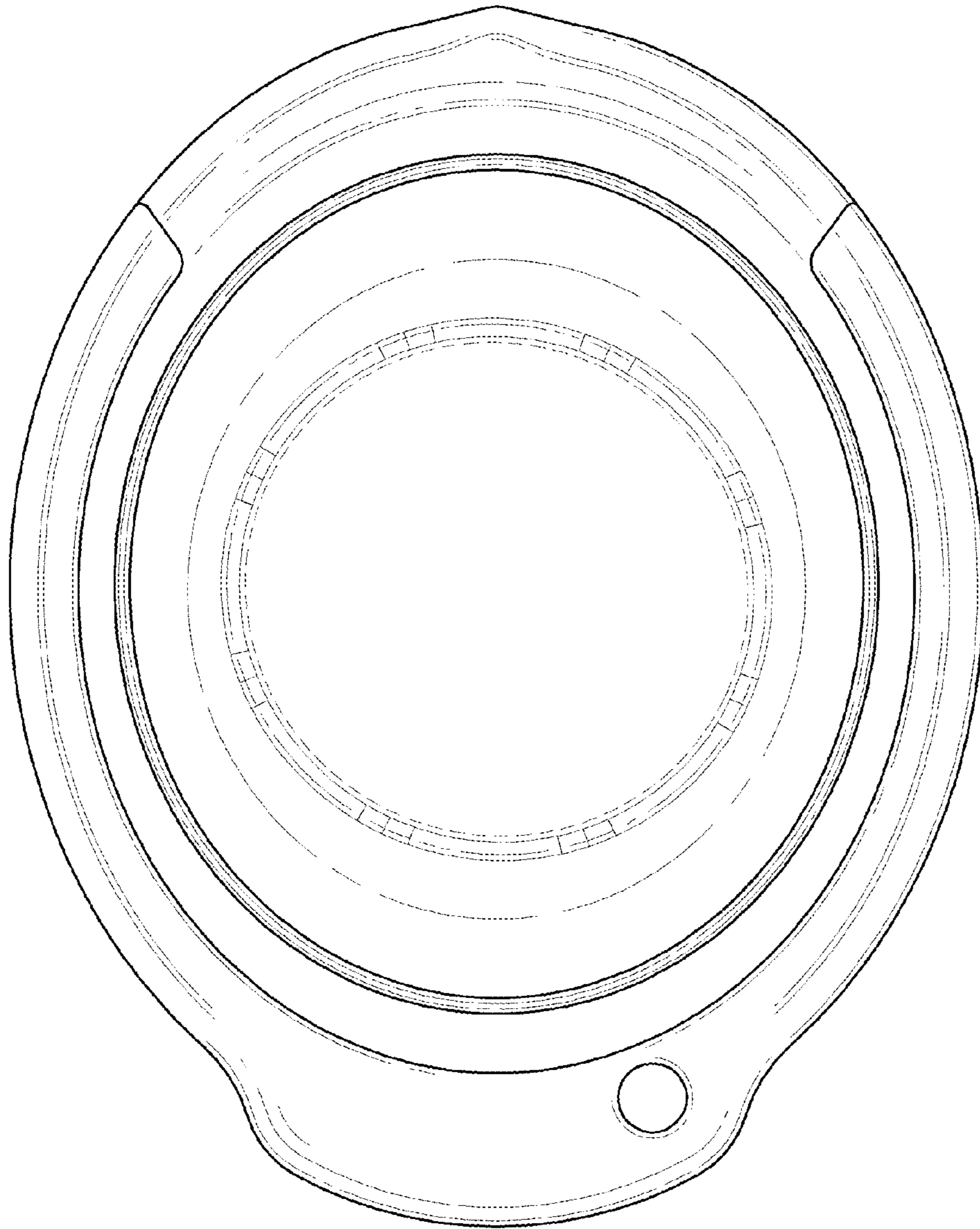


FIG. 7

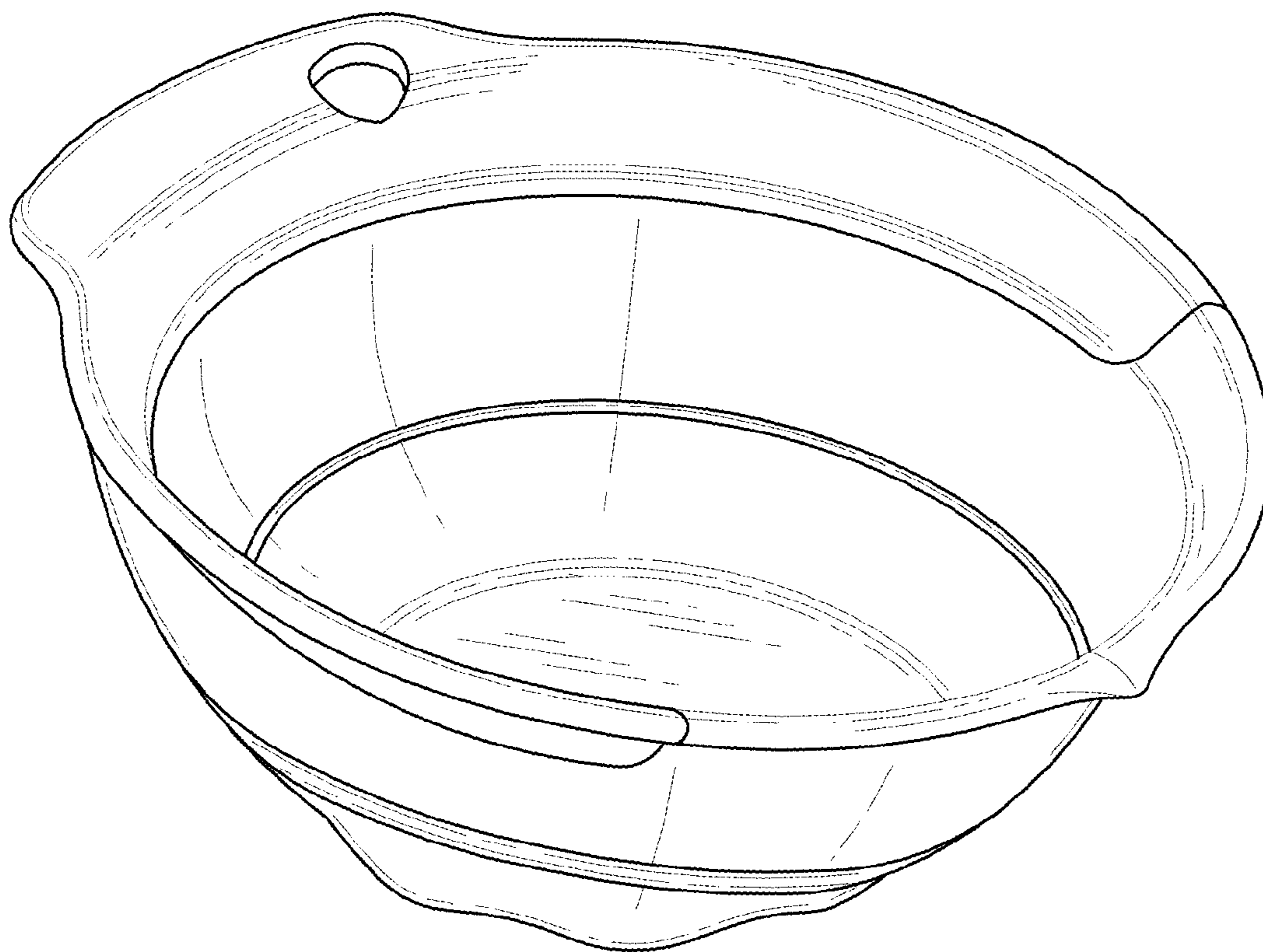


FIG. 8

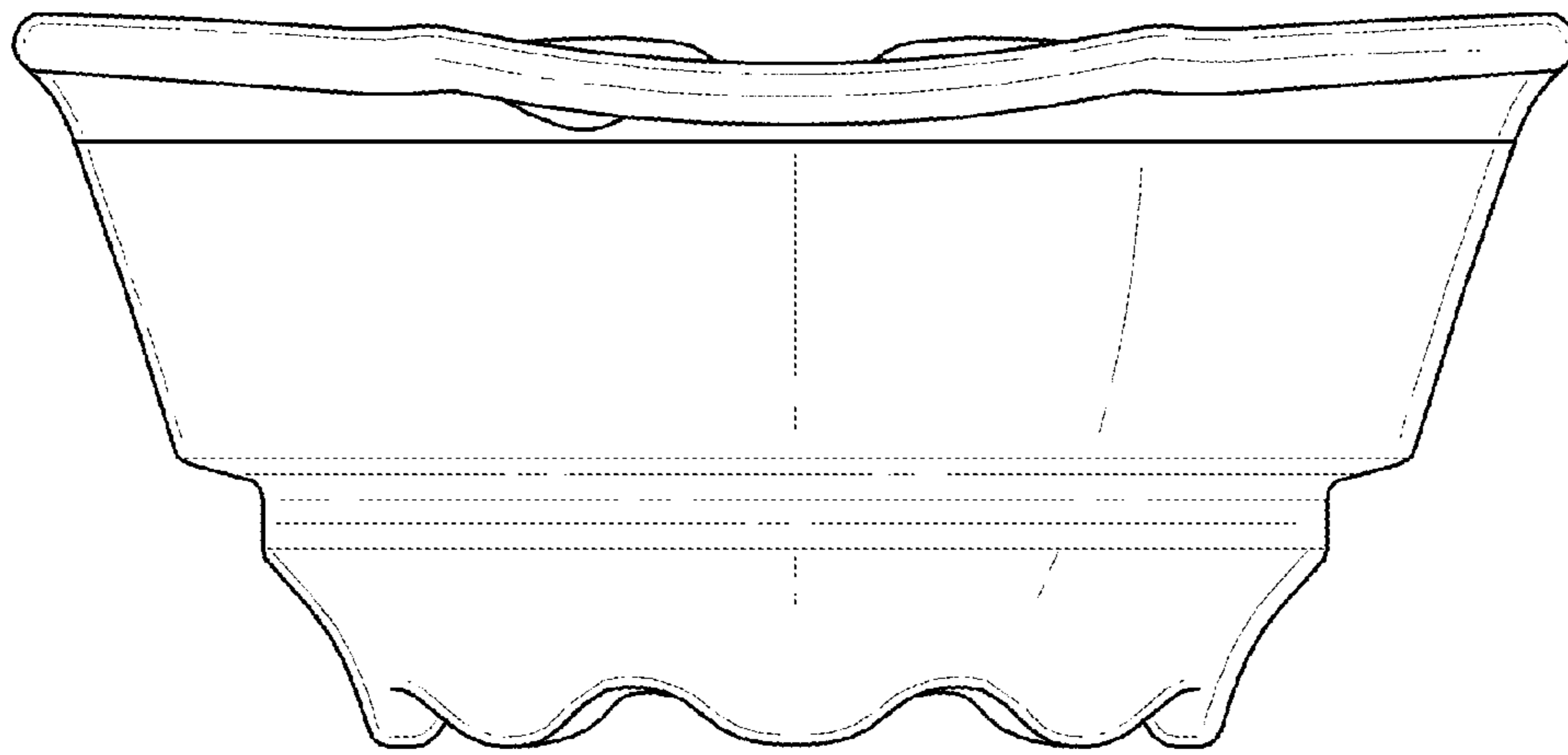


FIG. 9

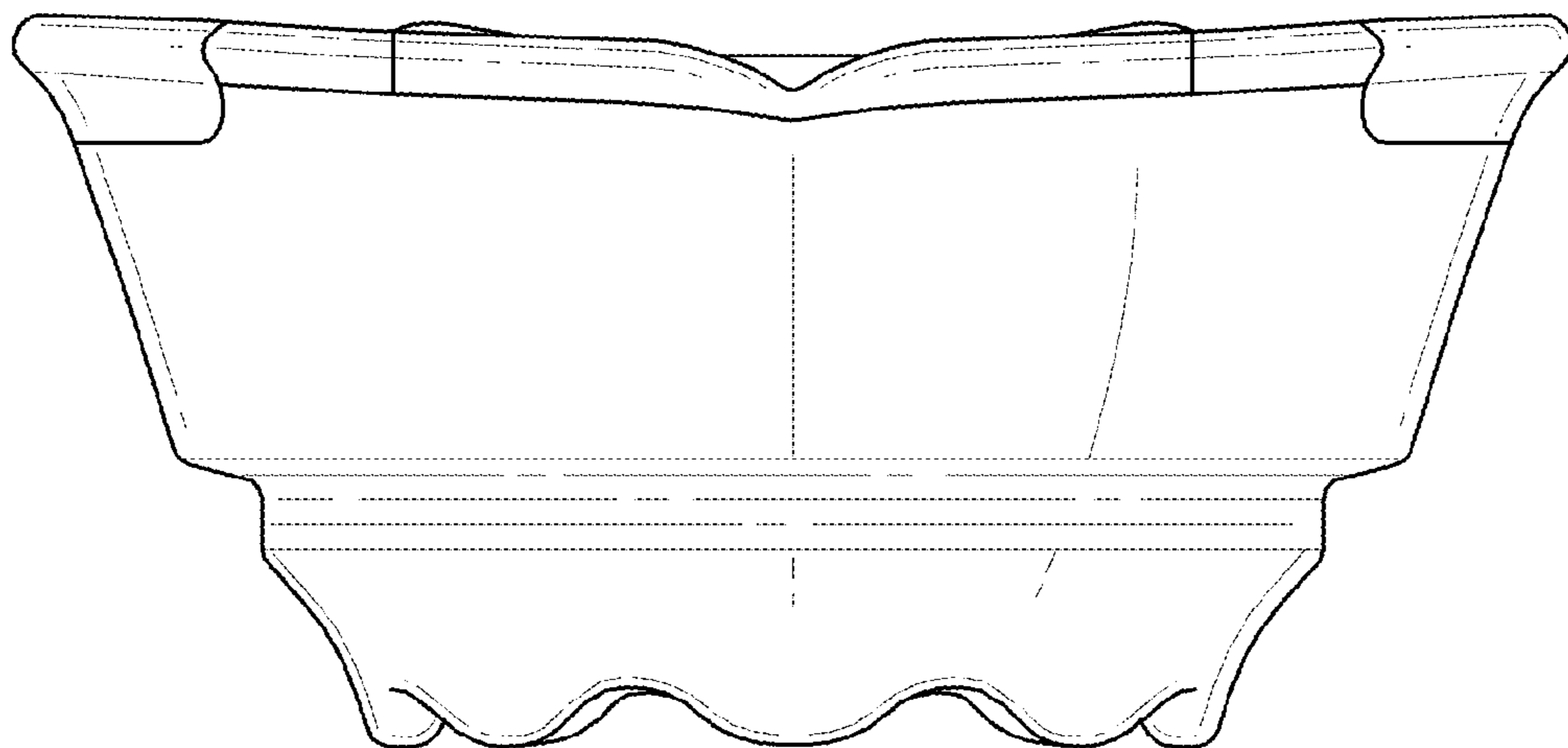


FIG. 10

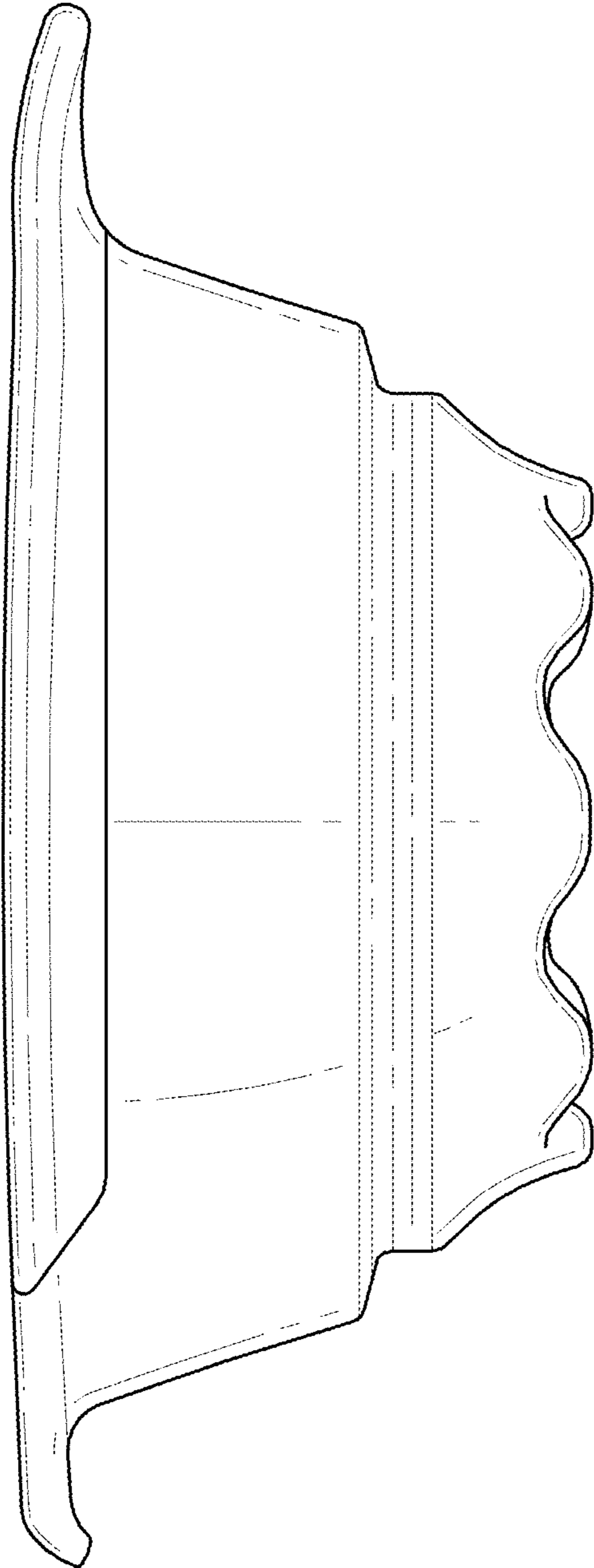


FIG. 11

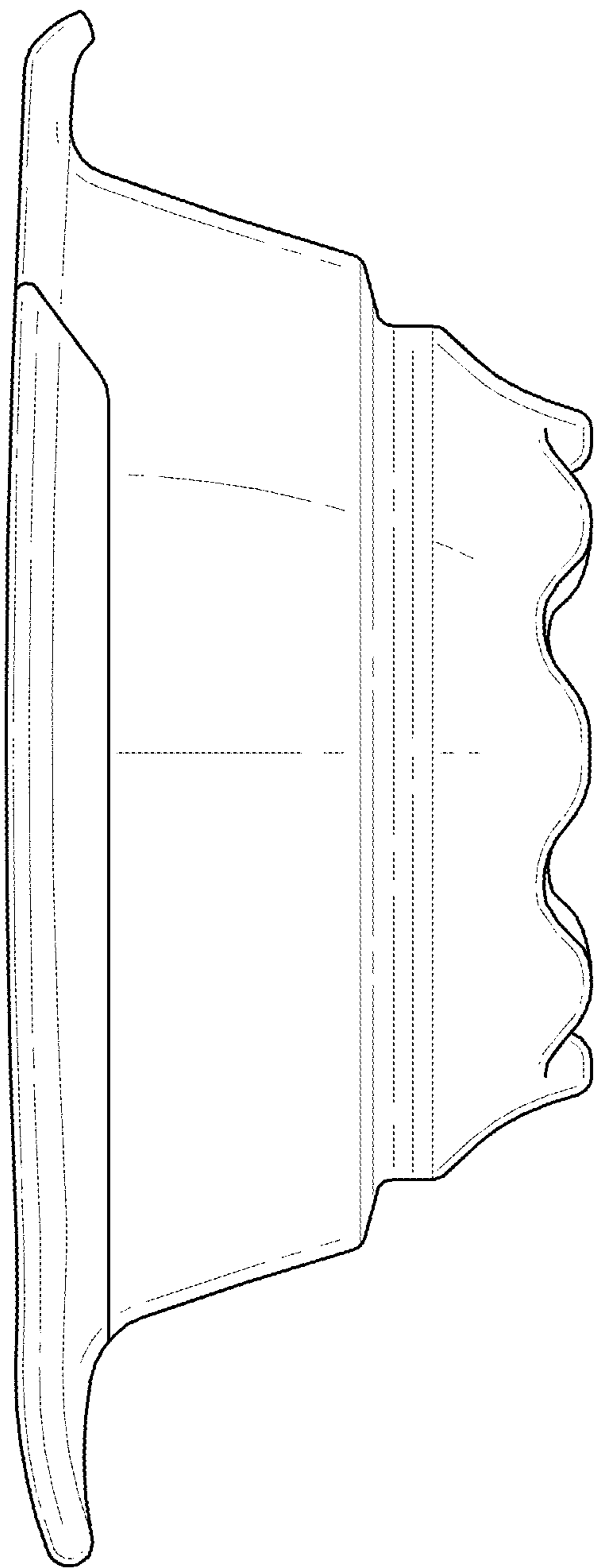


FIG. 12

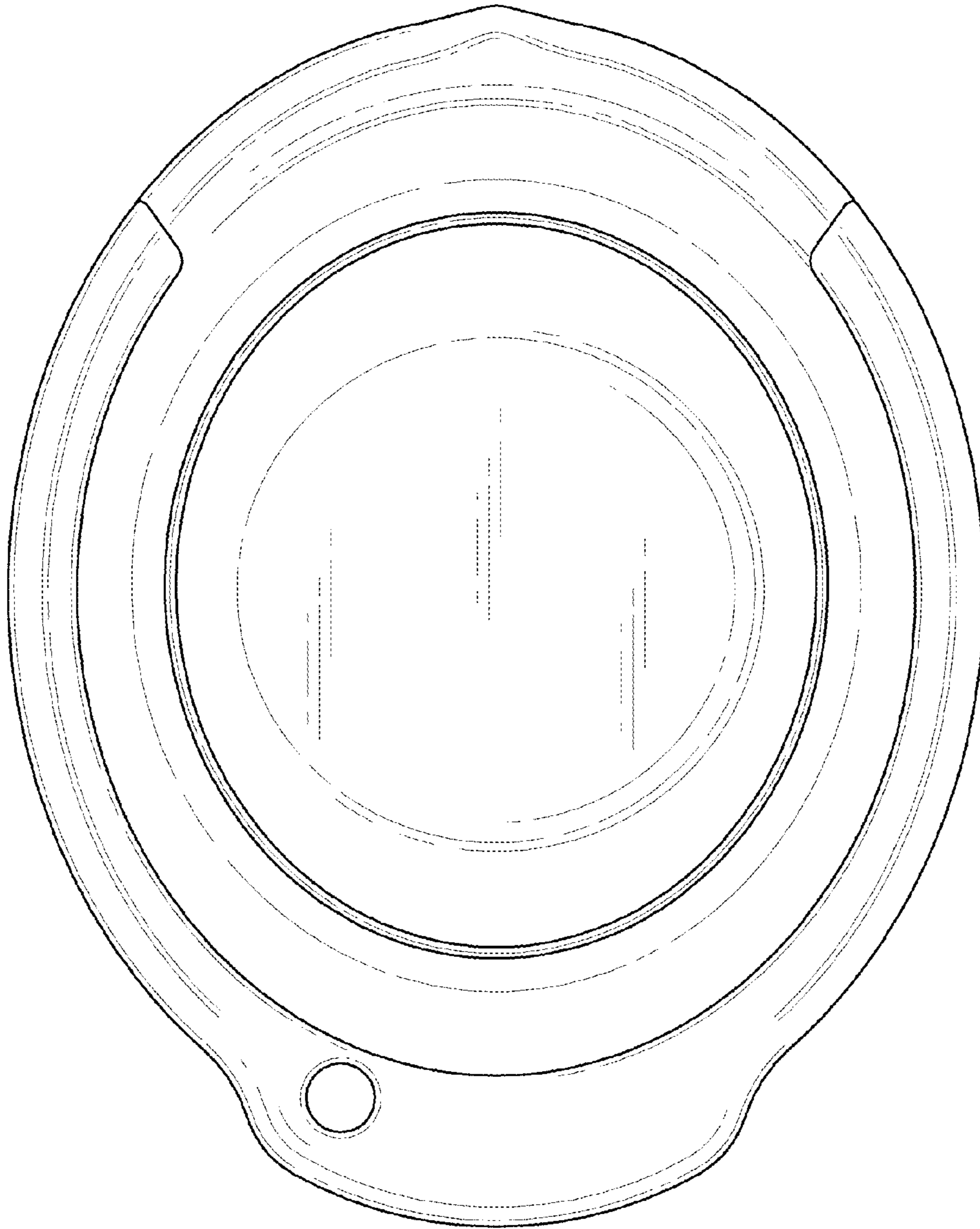


FIG. 13

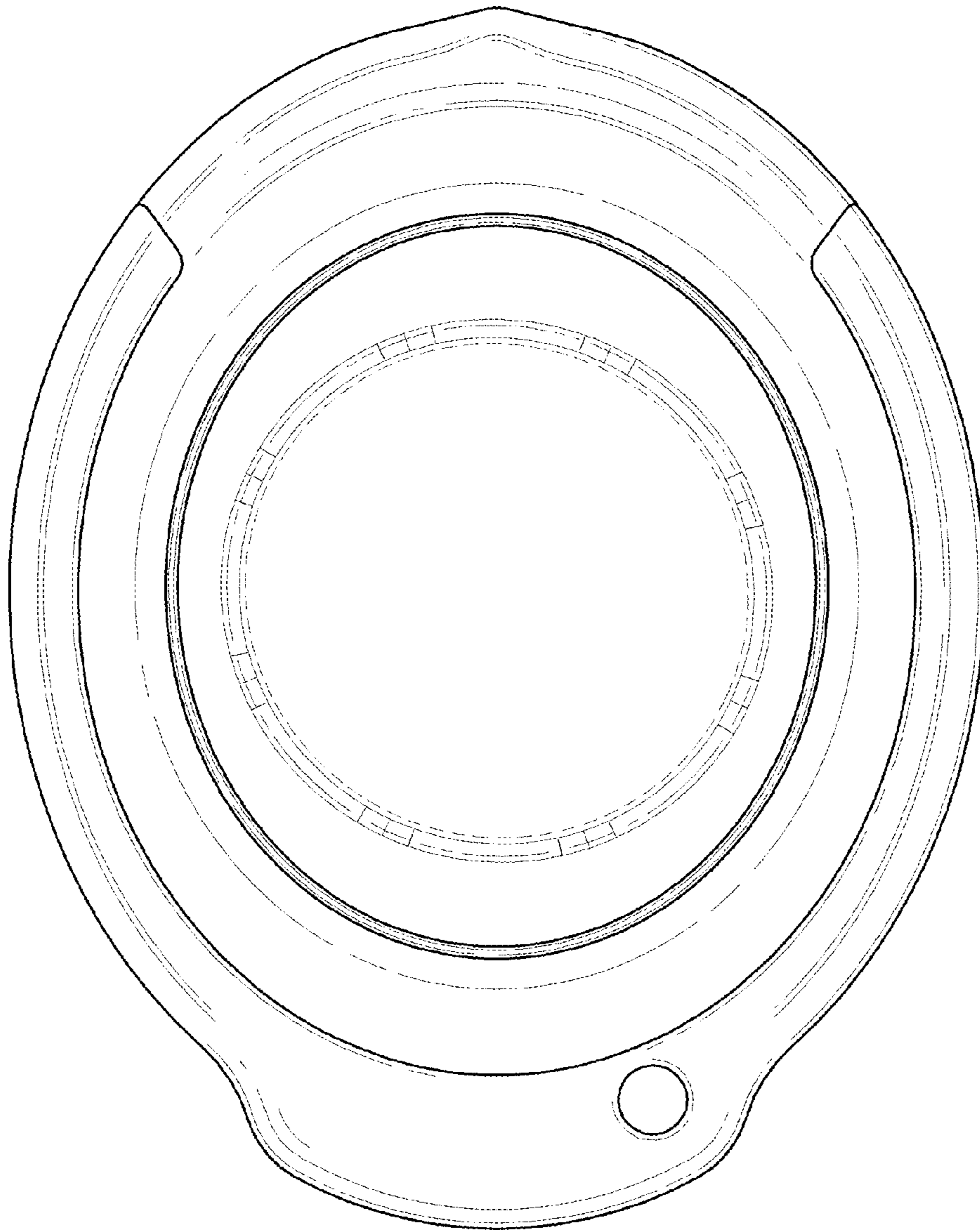


FIG. 14