



US00D682618S

(12) **United States Design Patent**
Strobel

(10) **Patent No.:** **US D682,618 S**

(45) **Date of Patent:** **** May 21, 2013**

(54) **BEVERAGE CONTAINER**

(75) Inventor: **Scott G. Strobel**, Plymouth, CT (US)

(73) Assignee: **Progressive Specialty Glass Co. Inc.**,
Plainville, CT (US)

(**) Term: **14 Years**

(21) Appl. No.: **29/409,630**

(22) Filed: **Dec. 27, 2011**

(51) **LOC (9) Cl.** **07-01**

(52) **U.S. Cl.**
USPC **D7/515; D7/536**

(58) **Field of Classification Search** D7/509,
D7/514, 515, 901, 536, 533; D11/152; 220/592.16,
220/592.17, 703

See application file for complete search history.

(56) **References Cited**

U.S. PATENT DOCUMENTS

2,763,142	A	*	9/1956	Hepner	40/324
D242,971	S	*	1/1977	Schlichter	D7/515
D250,490	S	*	12/1978	Baikie et al.	D21/761
6,164,667	A	*	12/2000	Olivieri	280/11.18
6,217,035	B1	*	4/2001	Steinhauser, Jr.	280/7.14
D490,131	S	*	5/2004	LaBonte et al.	D21/761
D568,107	S	*	5/2008	Bhavnani	D7/533
D574,664	S	*	8/2008	Thompson	D7/515
D575,110	S	*	8/2008	Karam	D7/529

D575,111	S	*	8/2008	Karam	D7/532
D580,709	S	*	11/2008	Williams	D7/510
D587,527	S	*	3/2009	Wolhendler	D7/532
D596,901	S	*	7/2009	Zatzman	D7/536
D628,441	S	*	12/2010	LeVere	D7/515
D642,020	S	*	7/2011	Fu	D7/536

* cited by examiner

Primary Examiner — Marianne Pandozzi

(74) *Attorney, Agent, or Firm* — McCormick, Paulding & Huber LLP

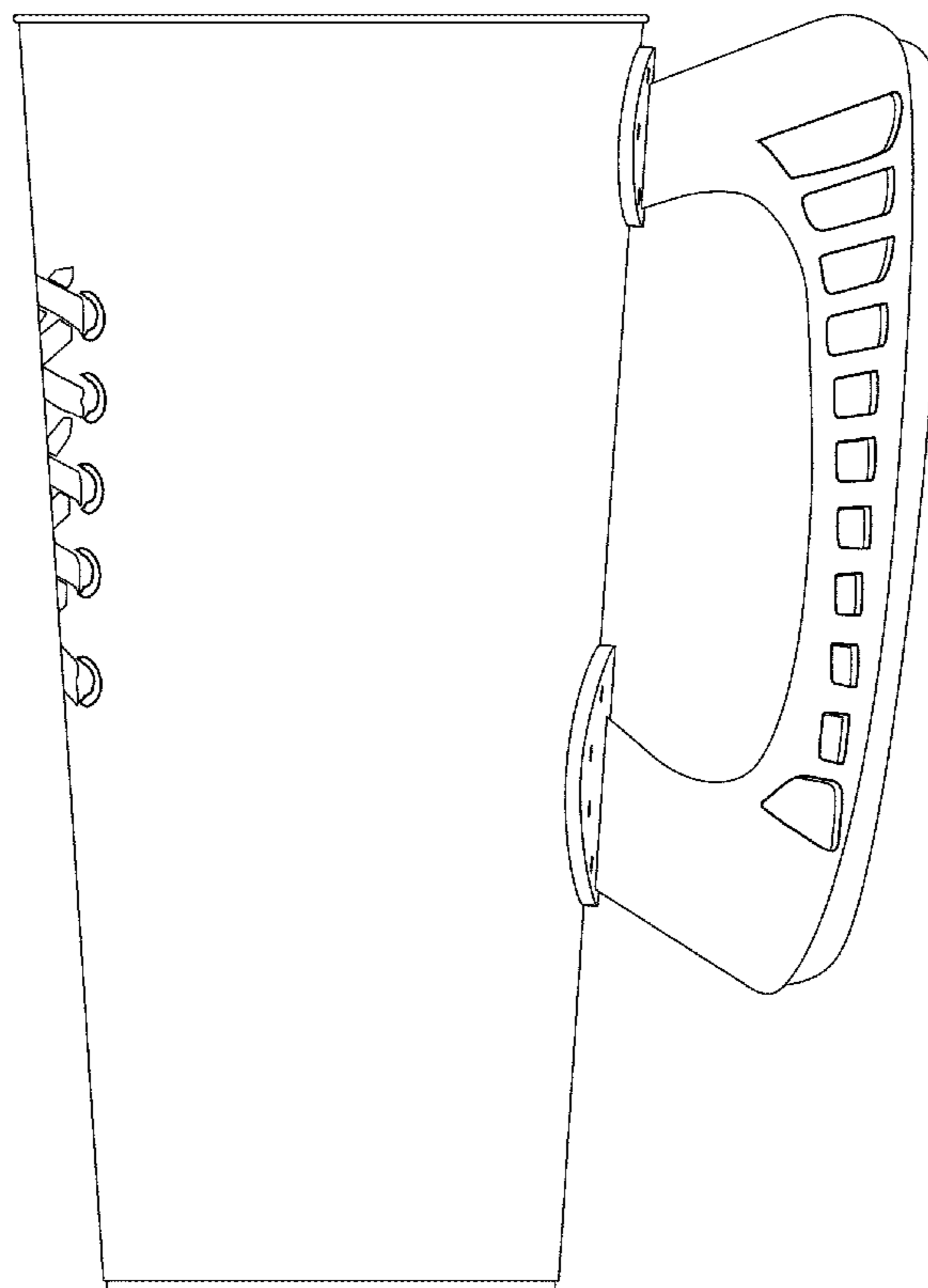
(57) **CLAIM**

The ornamental design for a beverage container, substantially as shown and described.

DESCRIPTION

FIG. 1 is a front view of a beverage container comprising a new, original and ornamental design;
 FIG. 2 is a rear view of the beverage container comprising the new, original and ornamental design;
 FIG. 3 is a right-hand side view of the beverage container comprising the new, original and ornamental design;
 FIG. 4 is a left-hand side view of the beverage container comprising the new, original and ornamental design;
 FIG. 5 is a top view of the beverage container comprising the new, original and ornamental design; and,
 FIG. 6 is a bottom view of the beverage container comprising the new, original and ornamental design.

1 Claim, 5 Drawing Sheets



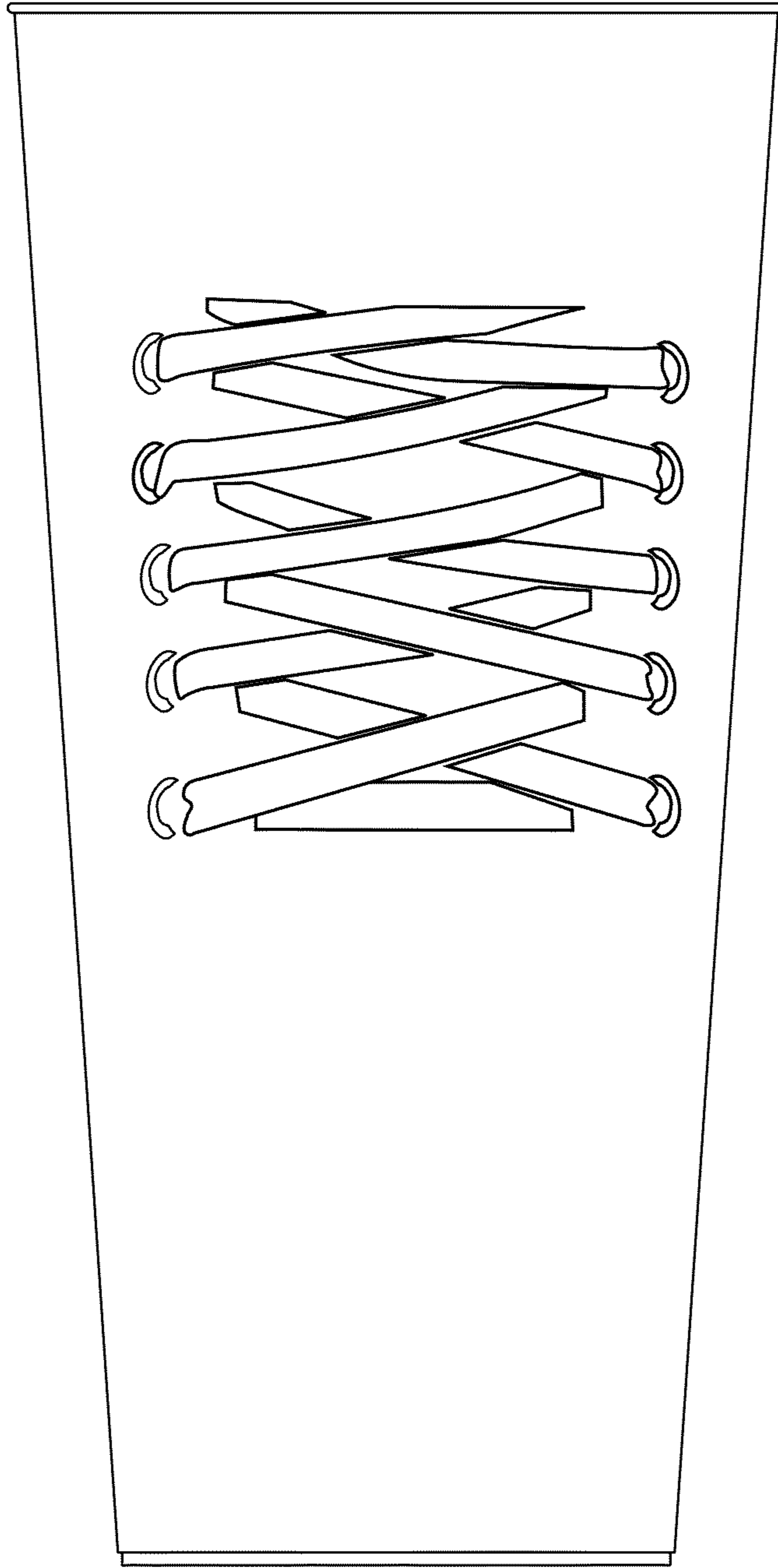


FIG. 1

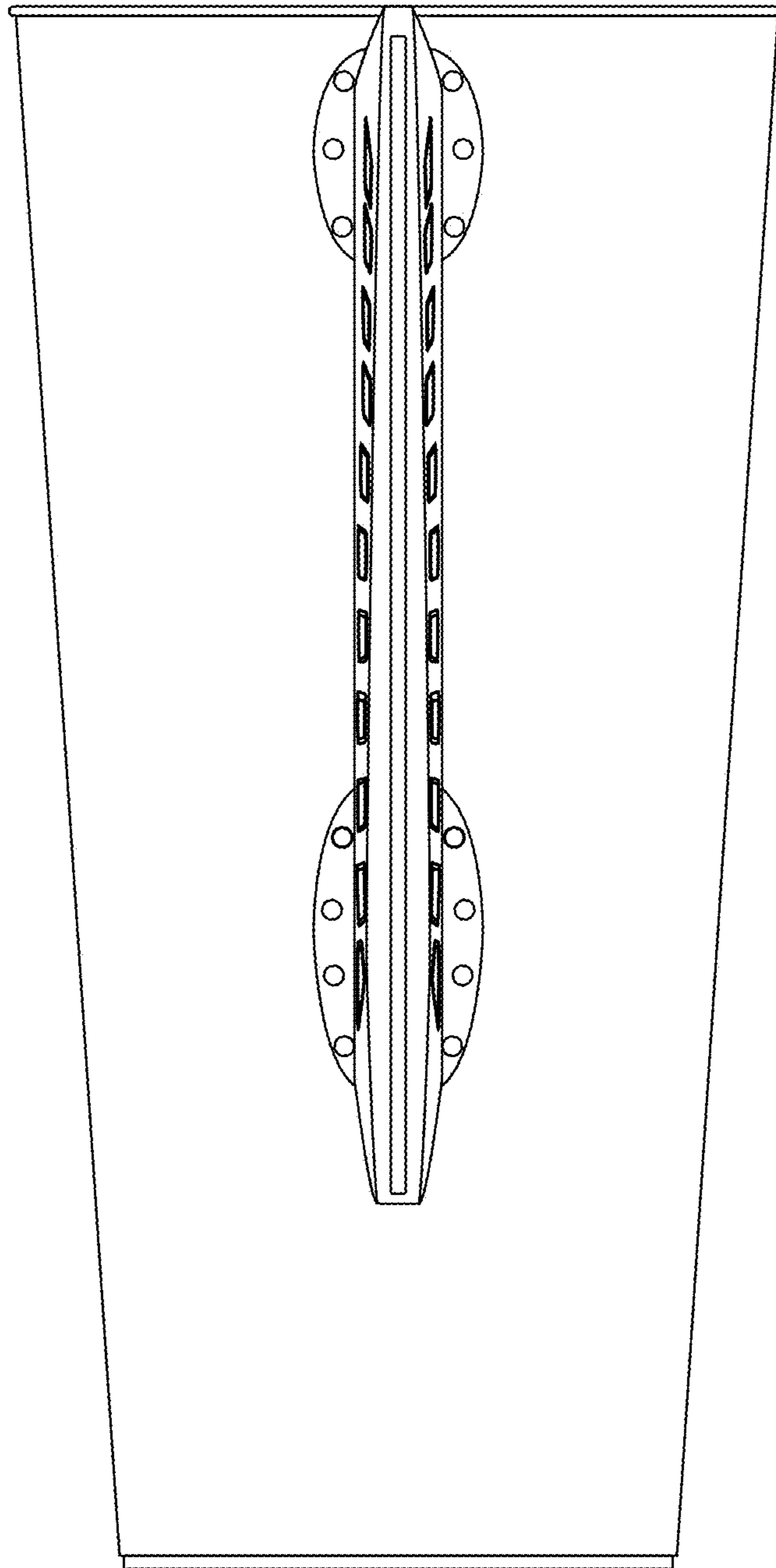


FIG. 2

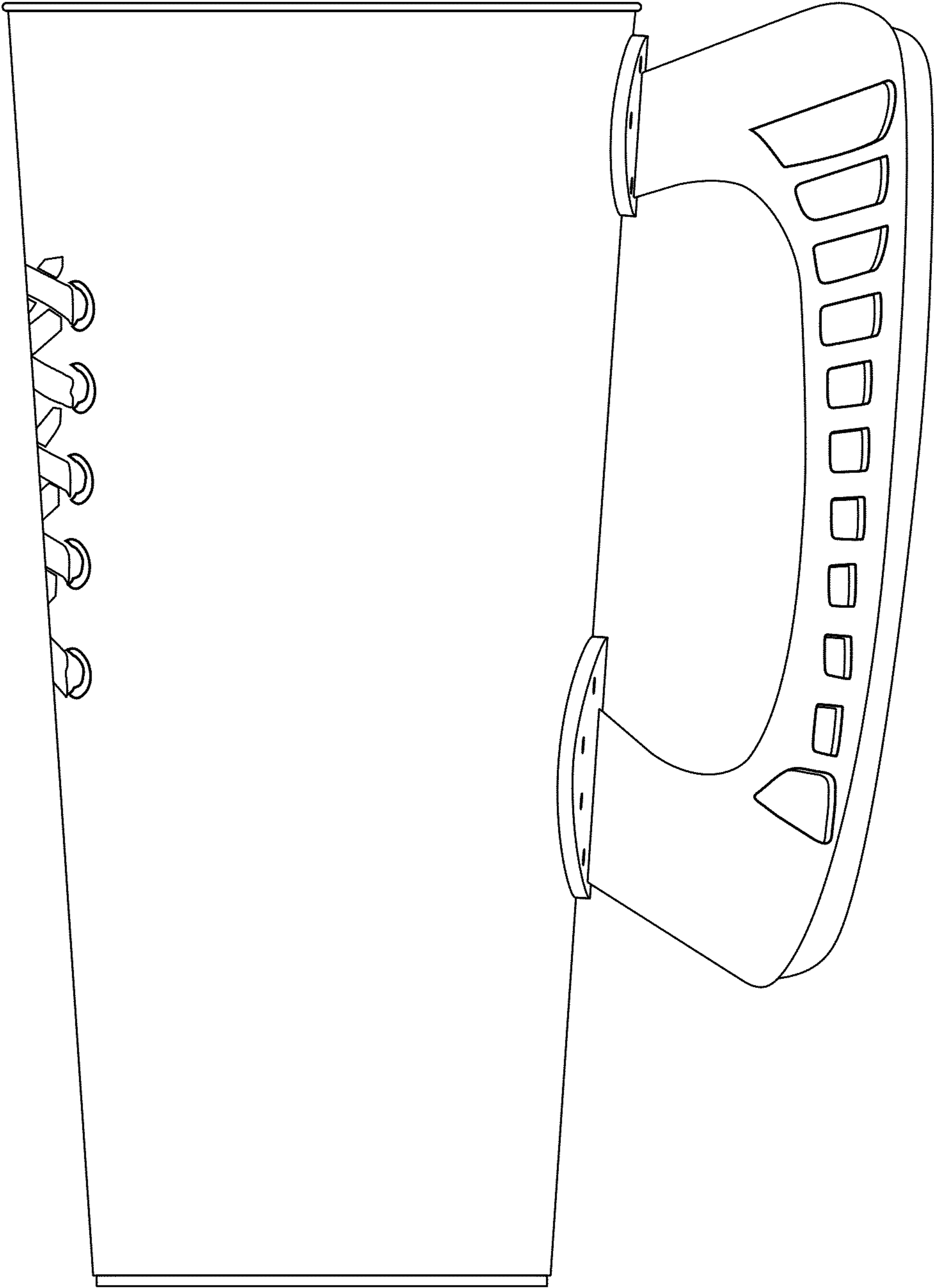


FIG. 3

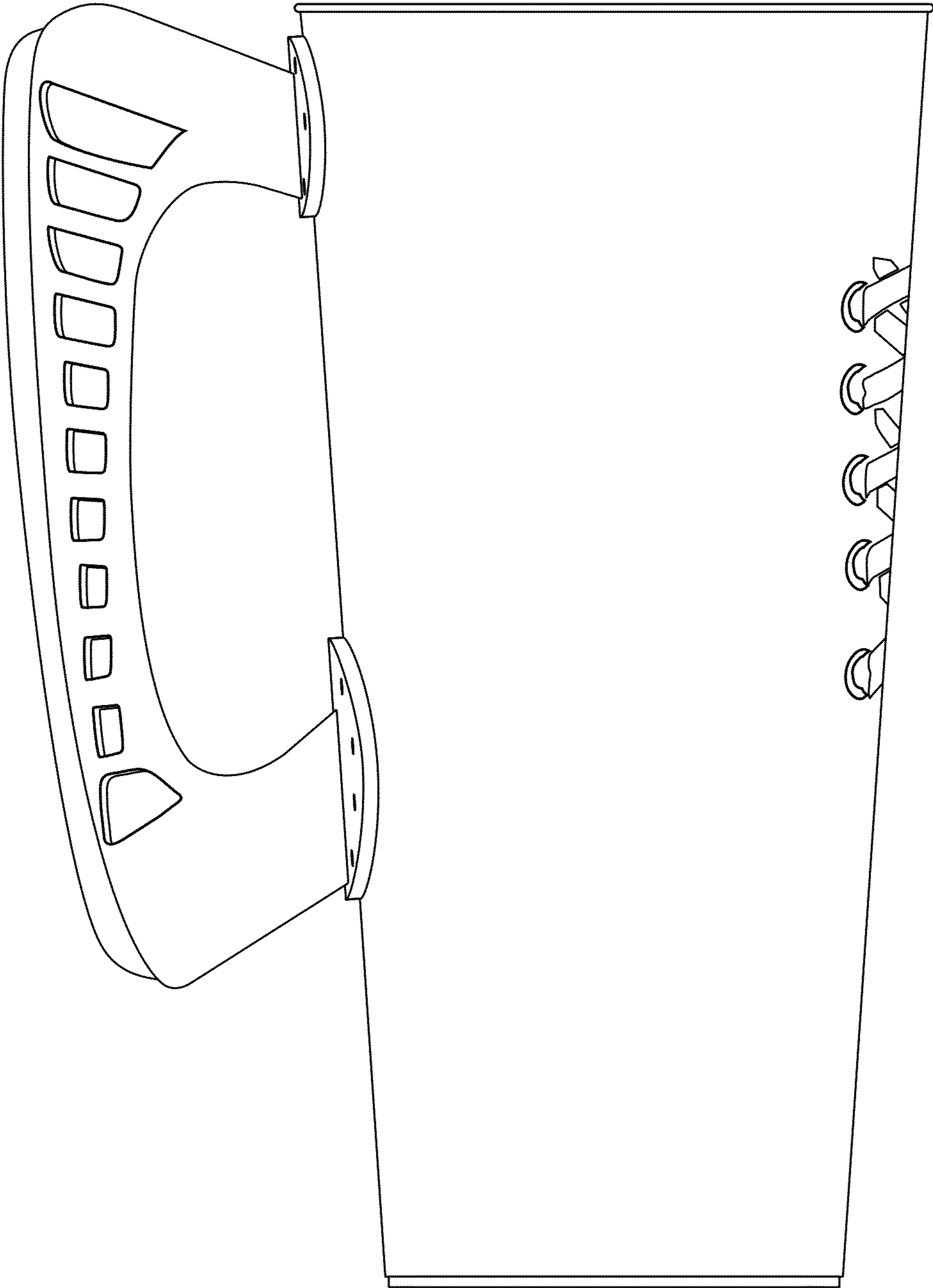


FIG. 4

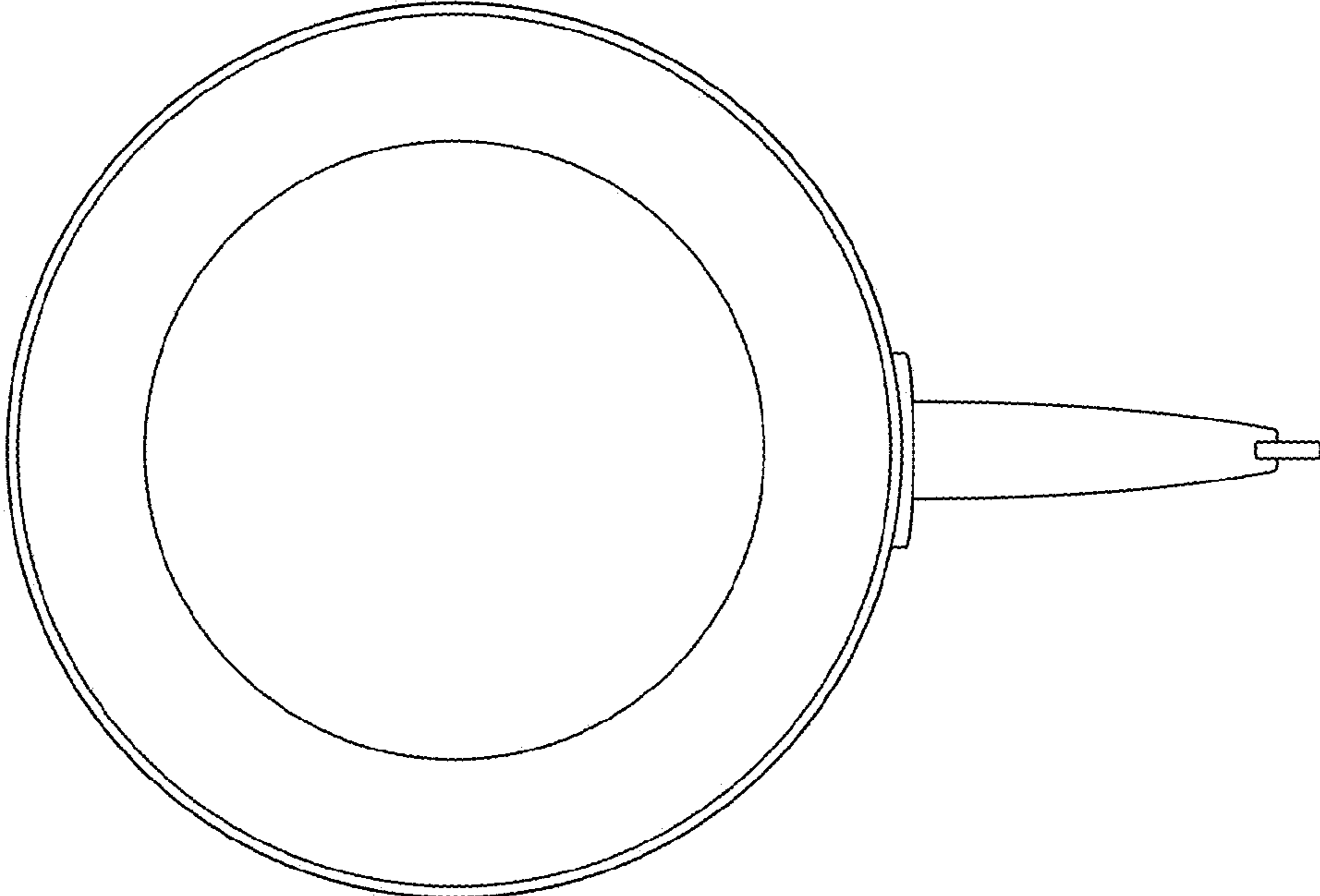


FIG. 5

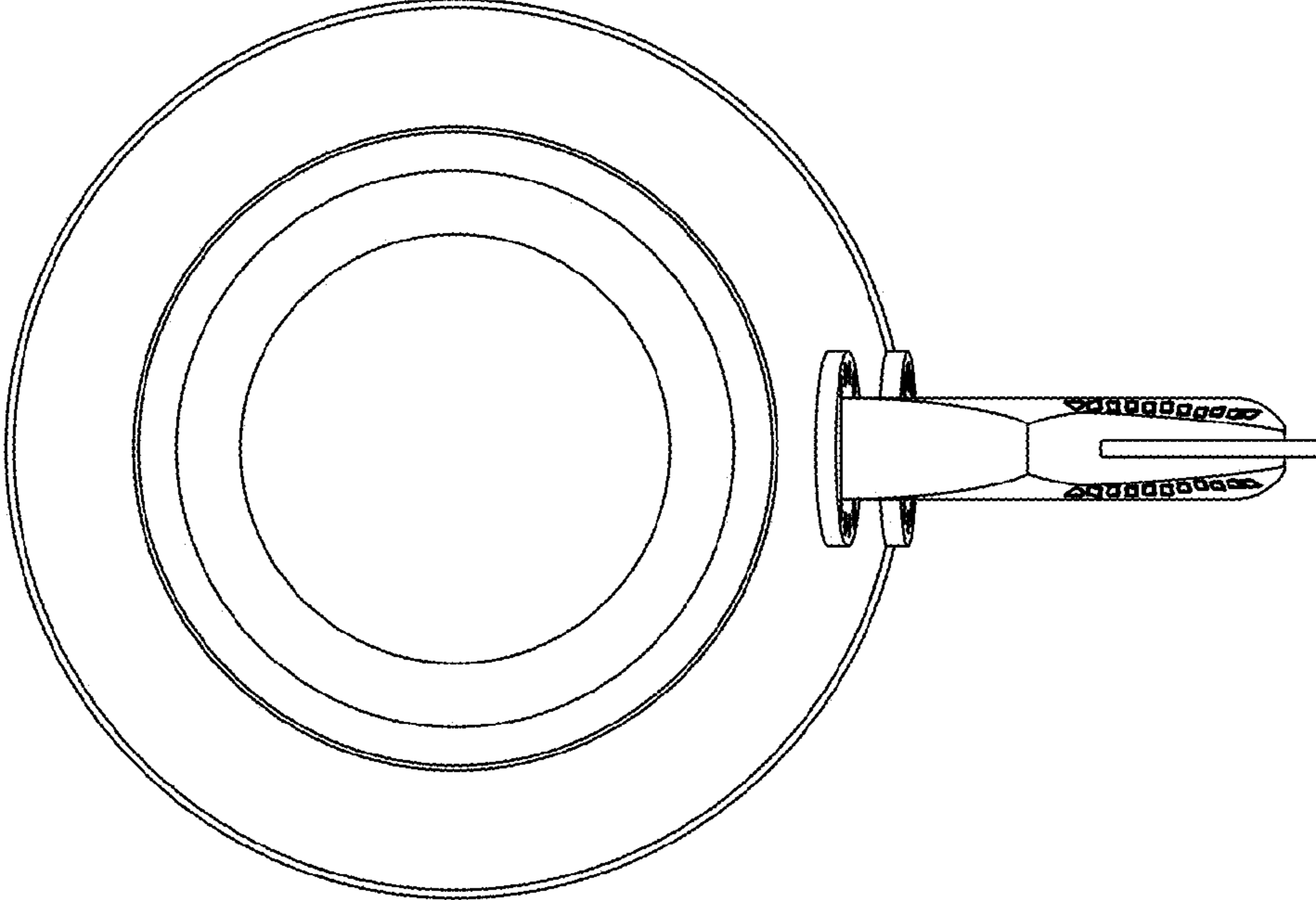


FIG. 6