



US00D682617S

(12) **United States Design Patent**  
**Miksovsky et al.**

(10) **Patent No.:** **US D682,617 S**  
(45) **Date of Patent:** **\*\* May 21, 2013**

(54) **COLLAPSIBLE CUP ASSEMBLY WITH CONTAINER LID**

(75) Inventors: **Christopher A. Miksovsky**, San Francisco, CA (US); **Clint N. Slone**, San Francisco, CA (US)

(73) Assignee: **Humangear, Inc.**, San Francisco, CA (US)

(\*\*) Term: **14 Years**

(21) Appl. No.: **29/411,261**

(22) Filed: **Jan. 18, 2012**

(51) **LOC (9) Cl.** ..... **07-01**

(52) **U.S. Cl.**  
USPC ..... **D7/512; D7/507; D7/532; D7/538; D7/510**

(58) **Field of Classification Search** ..... D7/507, D7/538, 532, 512, 510, 511, 607, 624.2; 220/739, 738, 737, 8, 714, 705, 707, 212.5; 215/DIG. 7, 389; 206/218; D9/504  
See application file for complete search history.

(56) **References Cited**

U.S. PATENT DOCUMENTS

640,418	A	1/1900	Royer	
879,753	A *	2/1908	Eckert	220/8
1,048,935	A *	12/1912	Brady	220/8
1,093,873	A *	4/1914	Mitchell	220/8
2,211,326	A	8/1940	Gillice	
2,802,590	A	8/1957	Tupper	
2,880,902	A *	4/1959	Owsen	220/8
3,285,459	A	11/1966	Gahm	
3,434,587	A *	3/1969	Ciampa	206/365
D219,474	S *	12/1970	Gahm	D7/512

(Continued)

Primary Examiner — Marianne Pandozzi

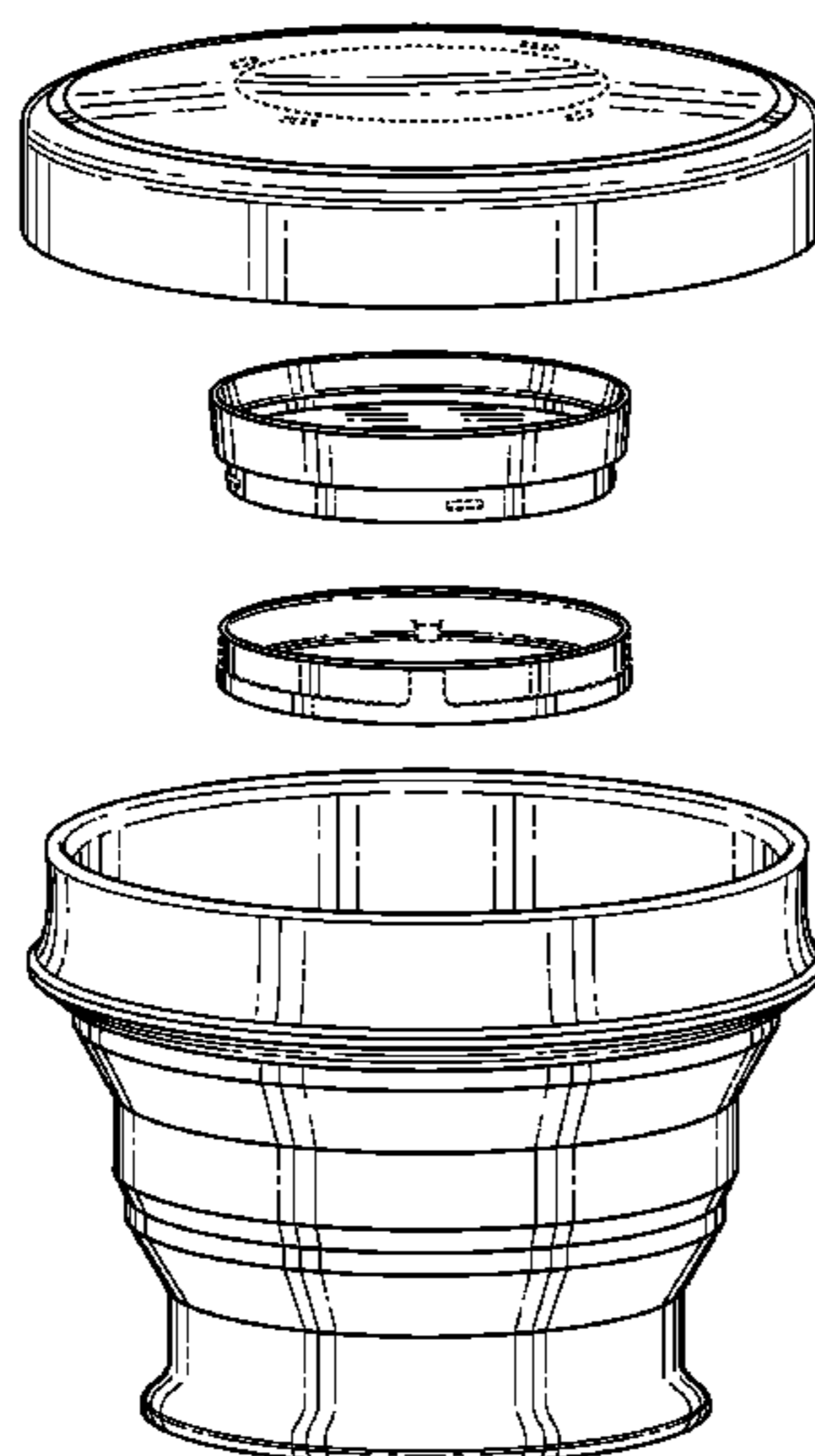
(74) *Attorney, Agent, or Firm* — Beyer Law Group LLP

(57) **CLAIM**  
We claim the ornamental design for a collapsible cup assembly with container lid, as shown and described.

**DESCRIPTION**

FIG. 1 is a top perspective view of a collapsible cup assembly, in expanded position showing our new design;  
FIG. 2 is an exploded top perspective view thereof;  
FIG. 3 is an exploded bottom perspective view thereof;  
FIG. 4 is an enlarged cross-sectional view taken along line 4-4 of FIG. 1;  
FIG. 5 is an exploded perspective view of the collapsible cup assembly at the scale of FIG. 1 in collapsed position;  
FIG. 6 is a top perspective view thereof;  
FIG. 7 is an enlarged cross-sectional view taken along line 7-7 of FIG. 6;  
FIG. 8 is a side view in expanded position with the lid removed for ease of illustration, all sides being the same;  
FIG. 9 is a top plan view thereof;  
FIG. 10 is a bottom plan view thereof;  
FIG. 11 is a side view of the lid portion of FIG. 1 with the rest of the collapsible cup assembly removed for ease of illustration;  
FIG. 12 is a top plan view hereof;  
FIG. 13 is a bottom plan view thereof;  
FIG. 14 is a side view of an inside lid portion shown in FIG. 2 with the rest of the collapsible cup assembly removed for ease of illustration, all sides being the same;  
FIG. 15 is a top plan view thereof;  
FIG. 16 is a bottom plan view thereof;  
FIG. 17 is a side view of the lower inside lid portion shown in FIG. 2 with the rest of the collapsible cup assembly removed for ease of illustration, all sides being the same;  
FIG. 18 is a top plan view thereof; and,  
FIG. 19 is a bottom plan view thereof.  
The broken lines are included for the purpose of illustrating environmental structure and form no part of the claimed design.

**1 Claim, 13 Drawing Sheets**



# US D682,617 S

Page 2

---

## U.S. PATENT DOCUMENTS

D220,204	S	*	3/1971	Gahm	.....	D7/512
4,875,576	A	*	10/1989	Torgrimson et al.	.....	206/219
D309,116	S	*	7/1990	Marshall	.....	D10/62
4,940,138	A	*	7/1990	Hornstein	.....	206/218
D347,359	S	*	5/1994	Robbins, III	.....	D7/512
5,415,309	A	*	5/1995	Wang	.....	220/4.27
D374,401	S	*	10/1996	Behnen, Jr.	.....	D9/452
5,862,932	A		1/1999	Walsh et al.		
D424,750	S	*	5/2000	Zalzal	.....	D28/76
D483,225	S	*	12/2003	Gain	.....	D7/512
6,736,285	B2	*	5/2004	Stewart-Stand	.....	220/666
D515,928	S	*	2/2006	Pace	.....	D9/504
7,055,709	B1		6/2006	Esau		
D544,303	S	*	6/2007	Strepkoff	.....	D7/512
D550,036	S	*	9/2007	Holcomb et al.	.....	D7/512
D556,509	S	*	12/2007	Bonini	.....	D7/507
D664,003	S	*	7/2012	Nagoya	.....	D7/512
2009/0101654	A1		4/2009	Brashear		

\* cited by examiner

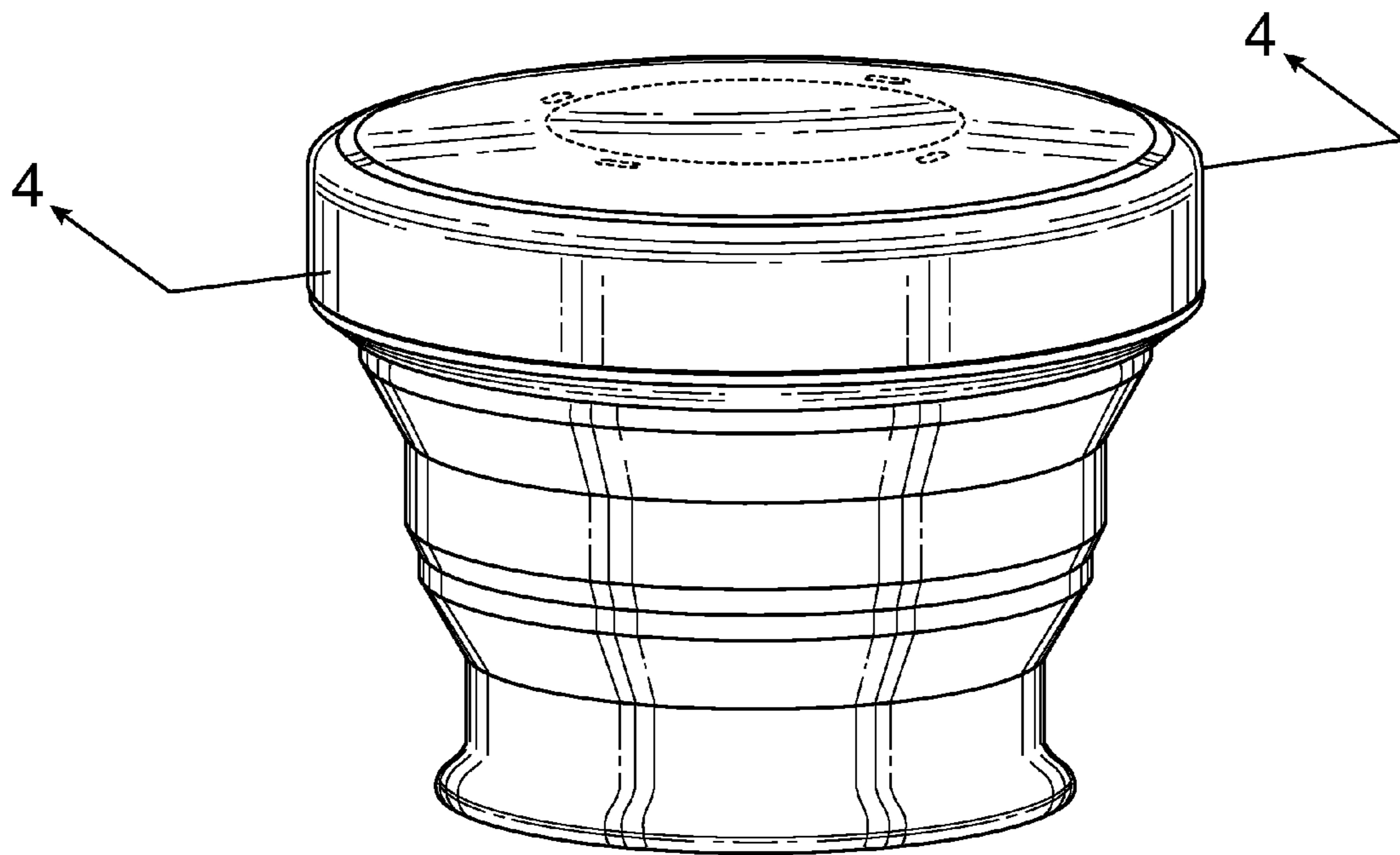
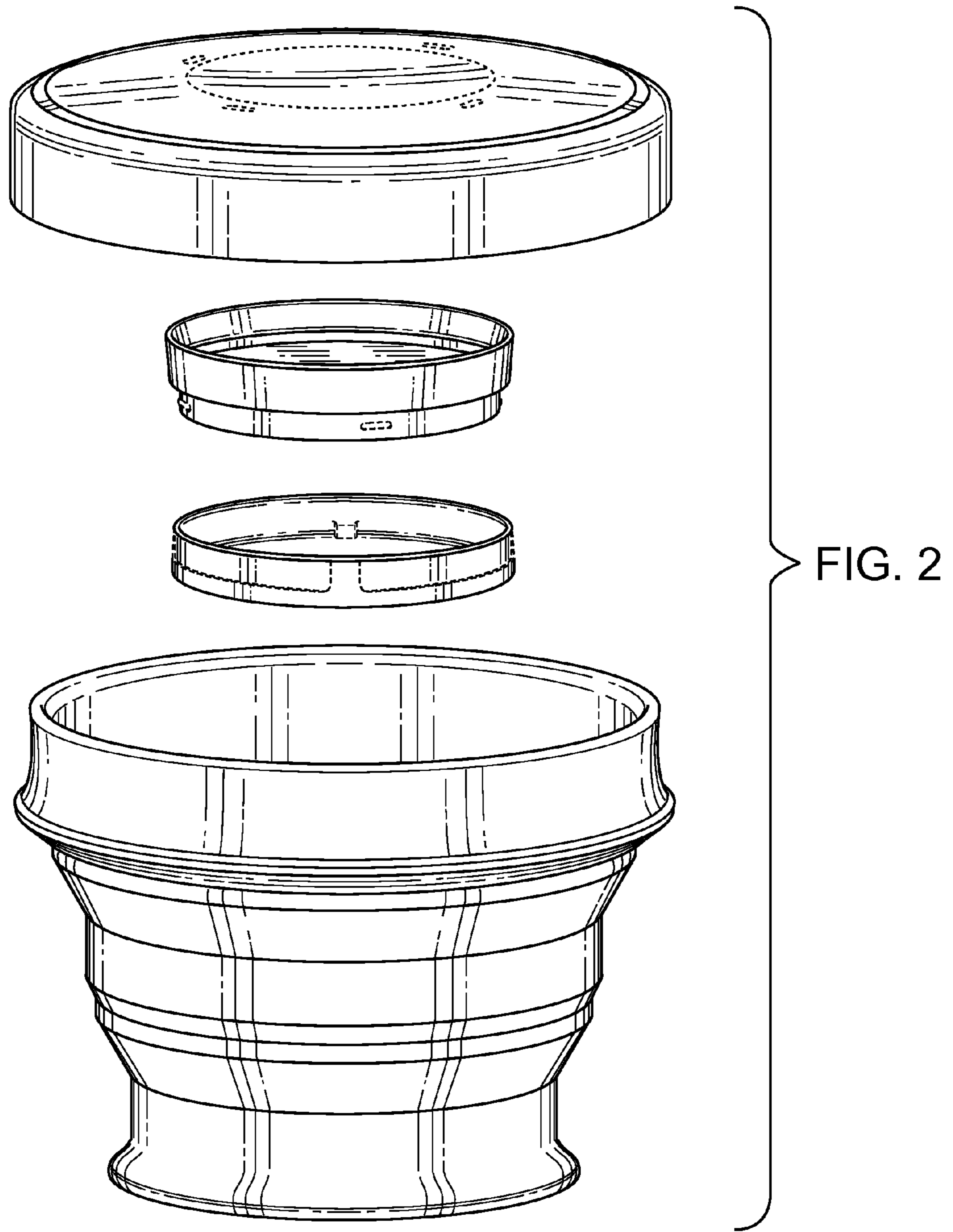


FIG. 1



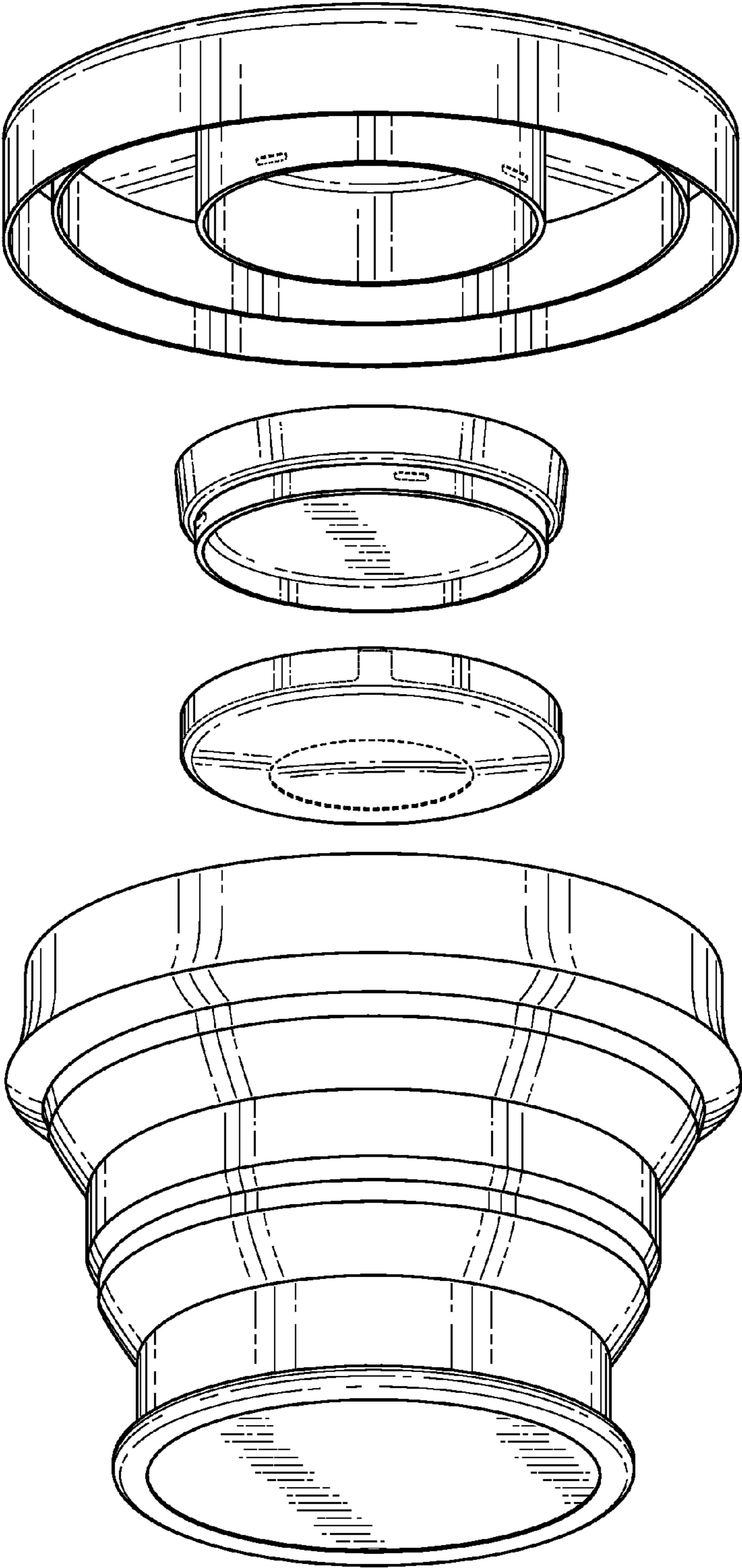


FIG. 3

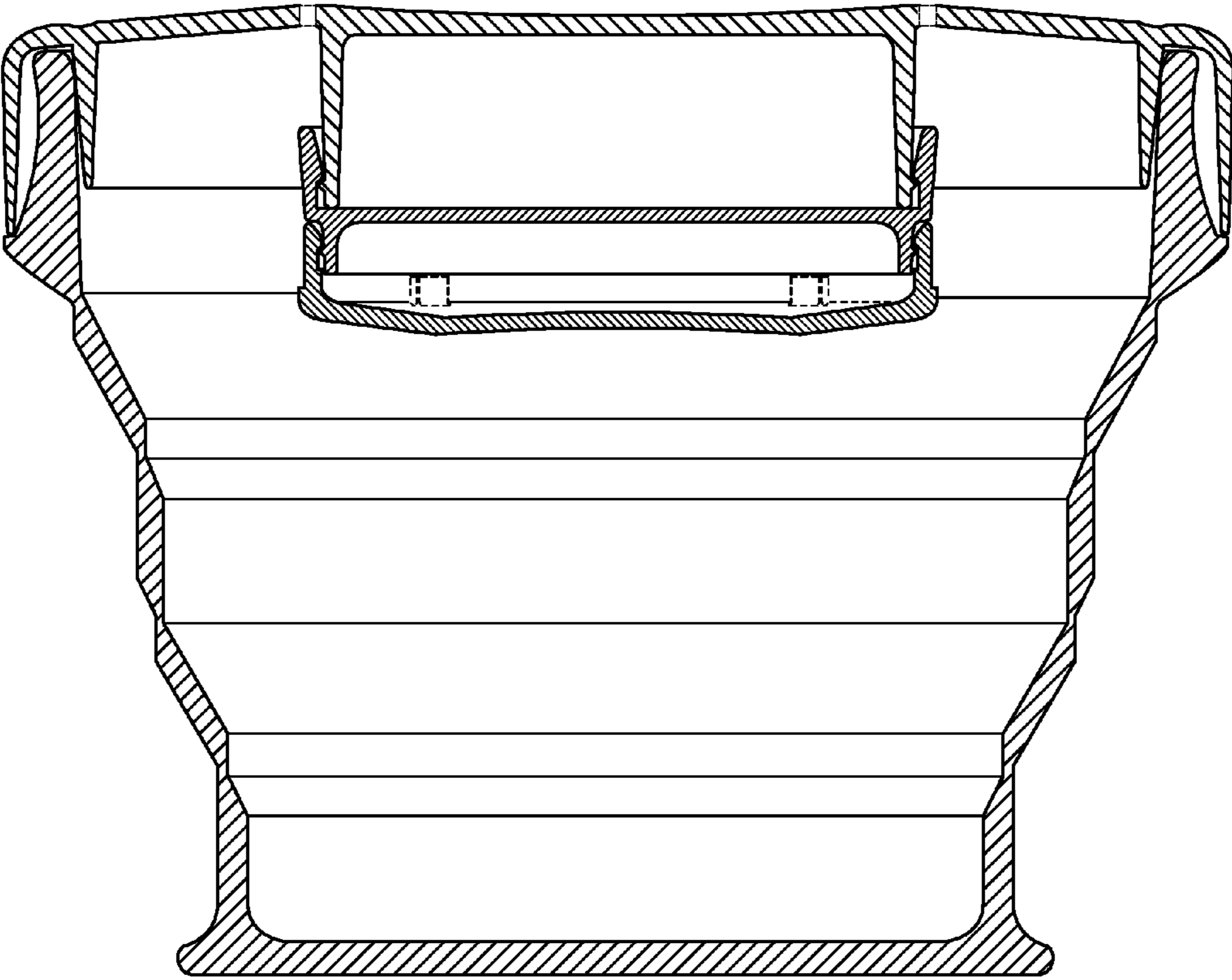


FIG. 4

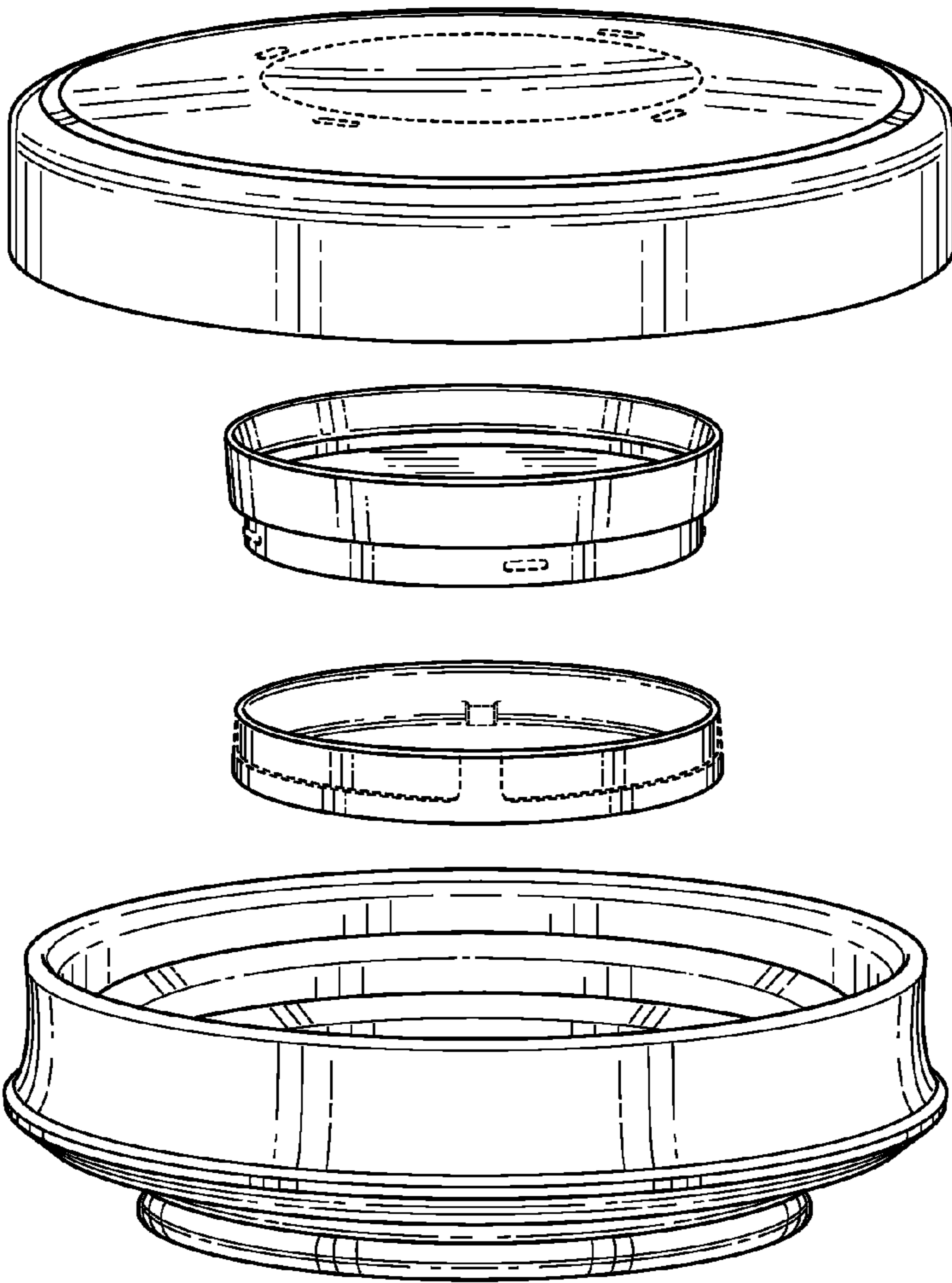


FIG. 5

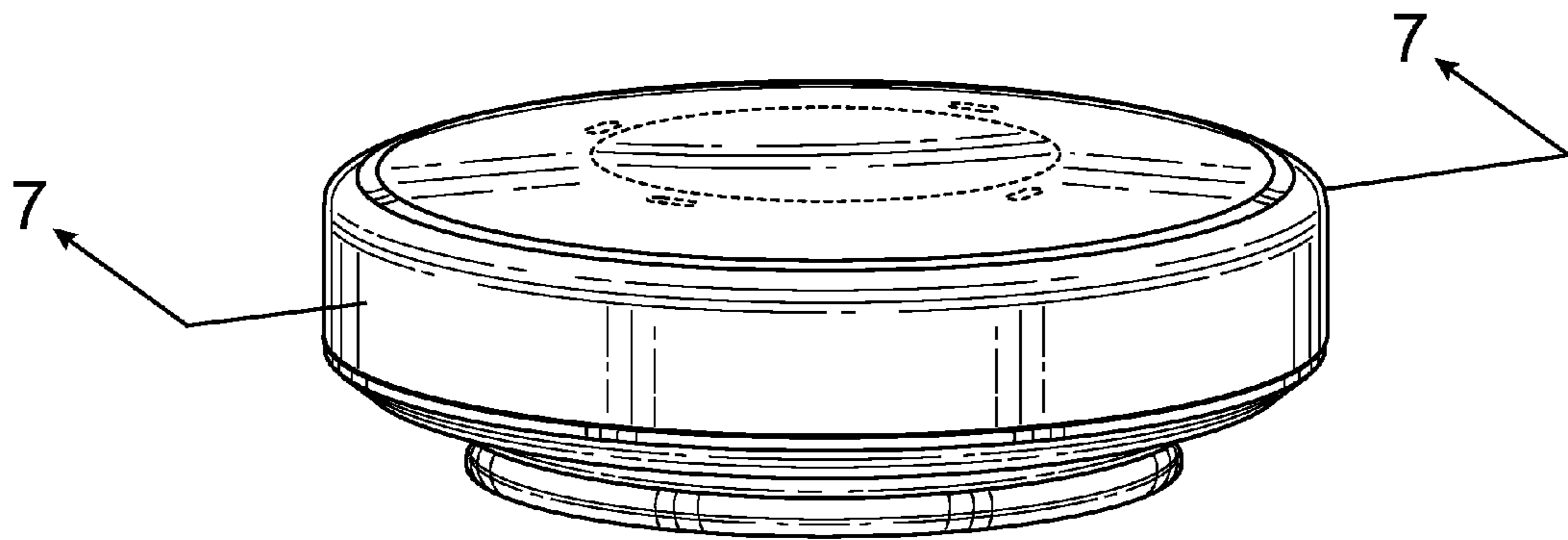


FIG. 6



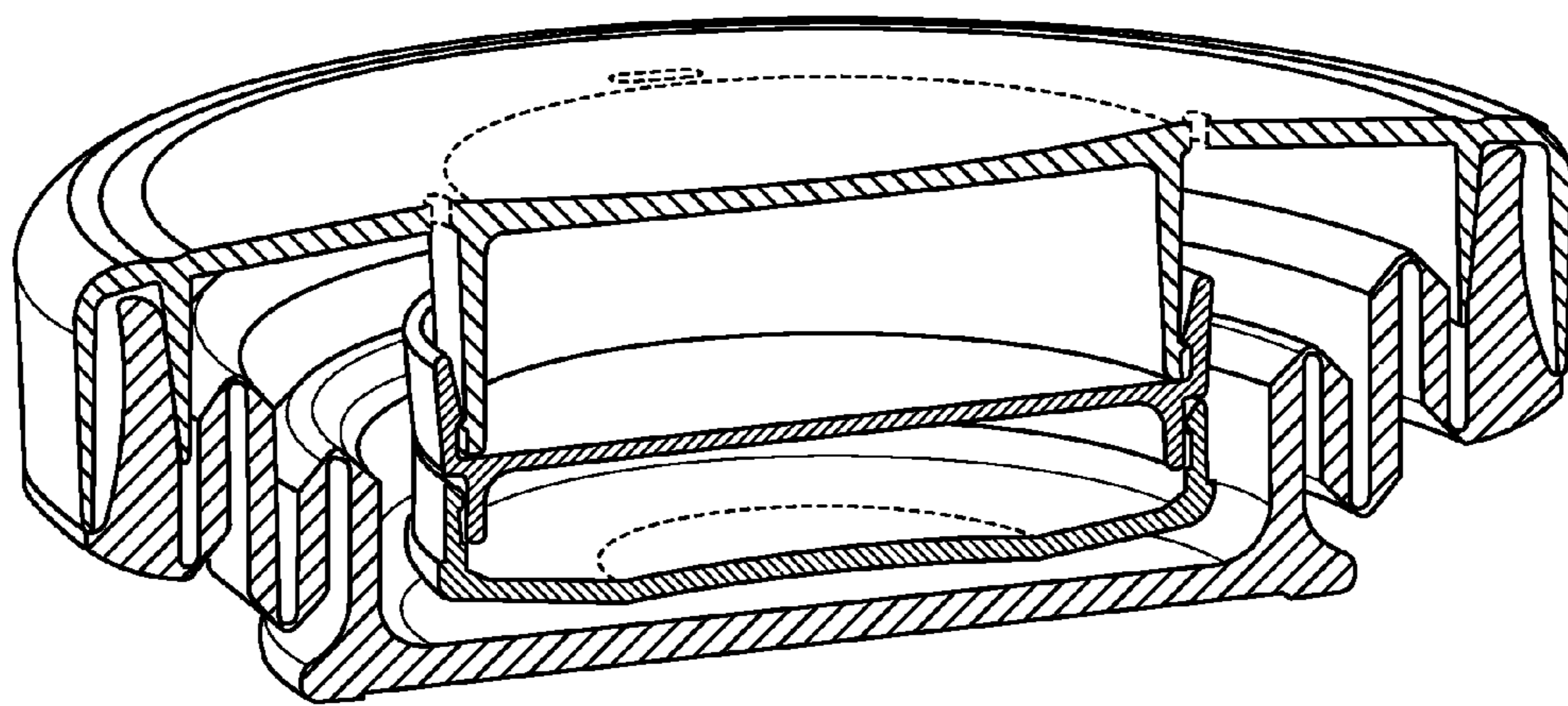


FIG. 7

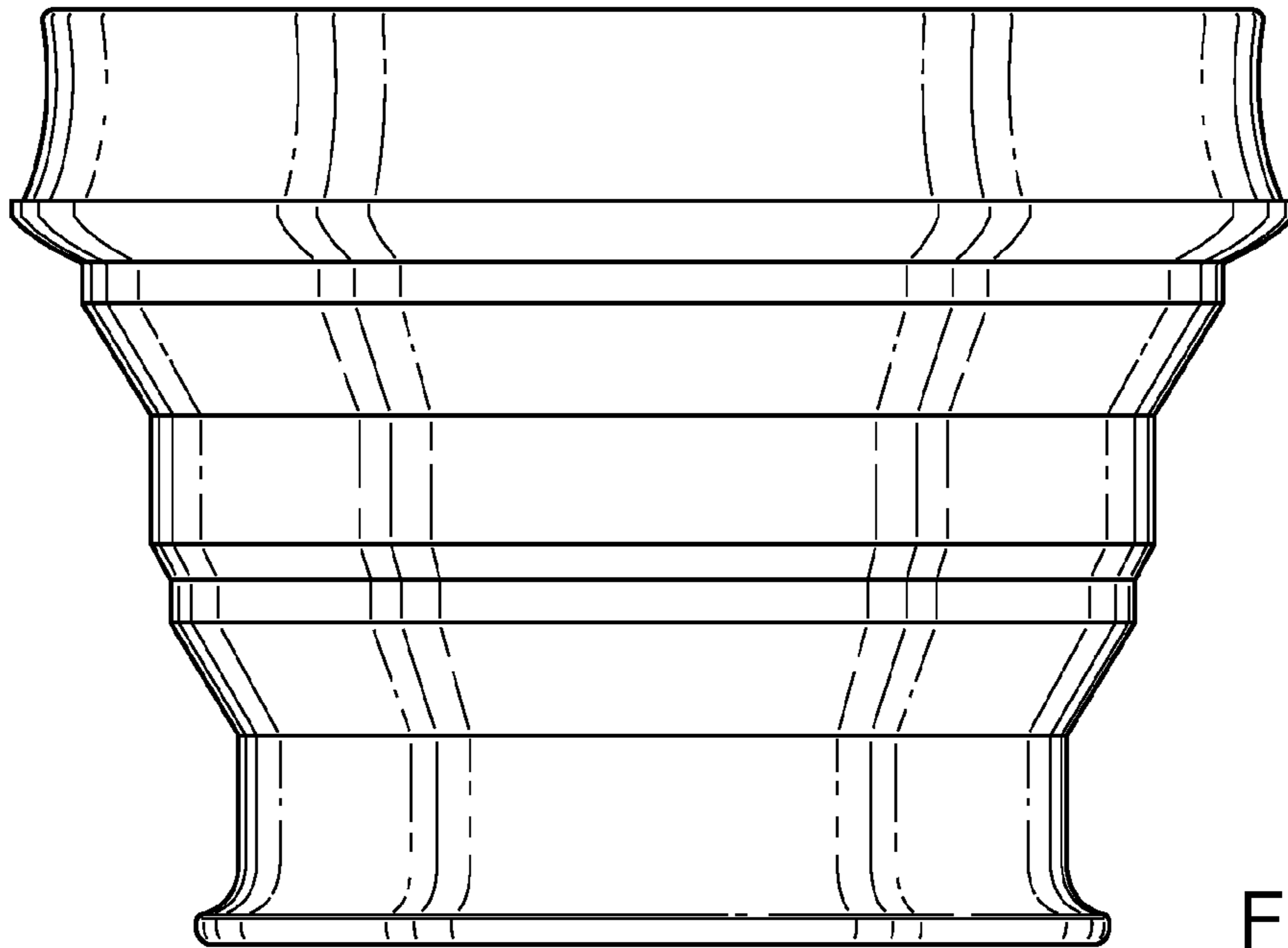


FIG. 8

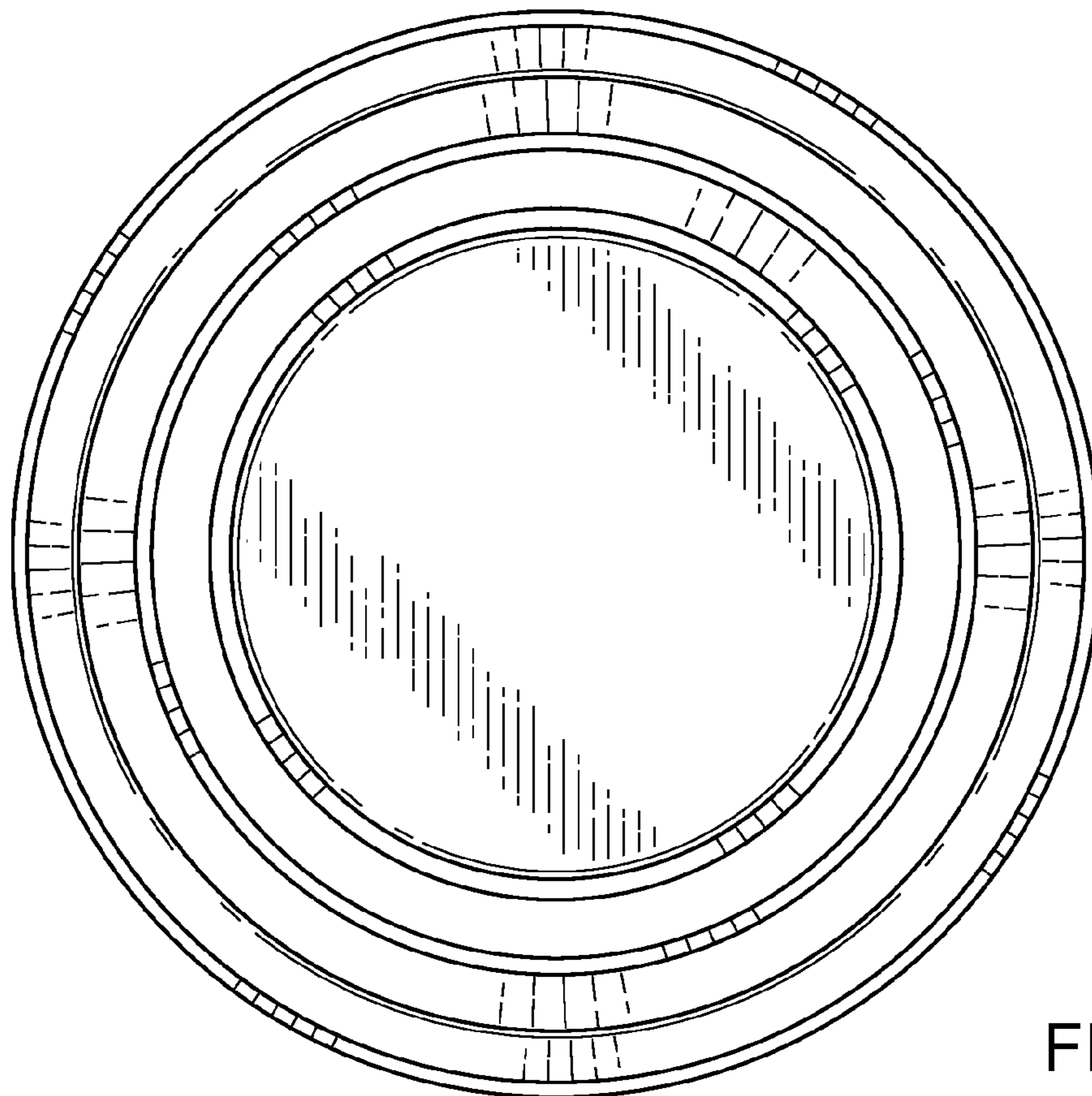


FIG. 9

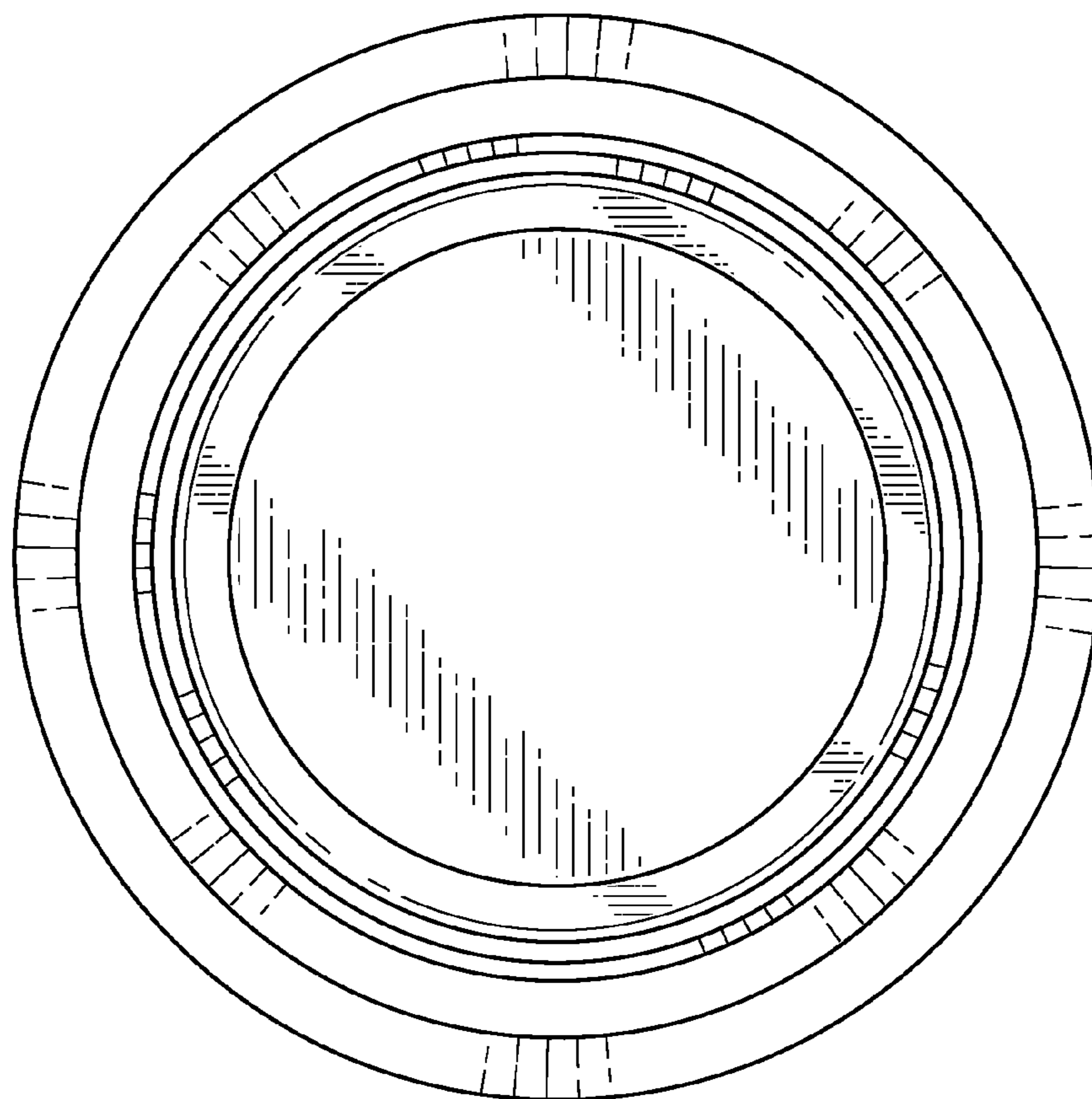


FIG. 10

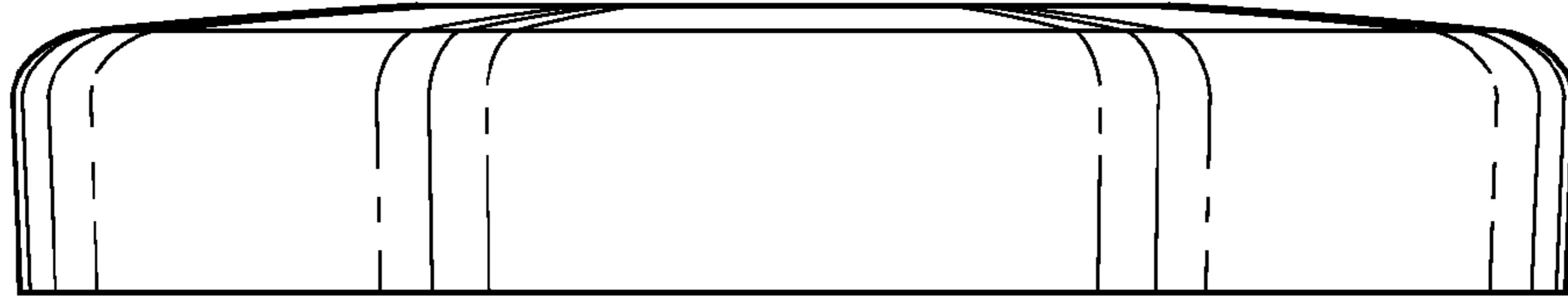


FIG. 11

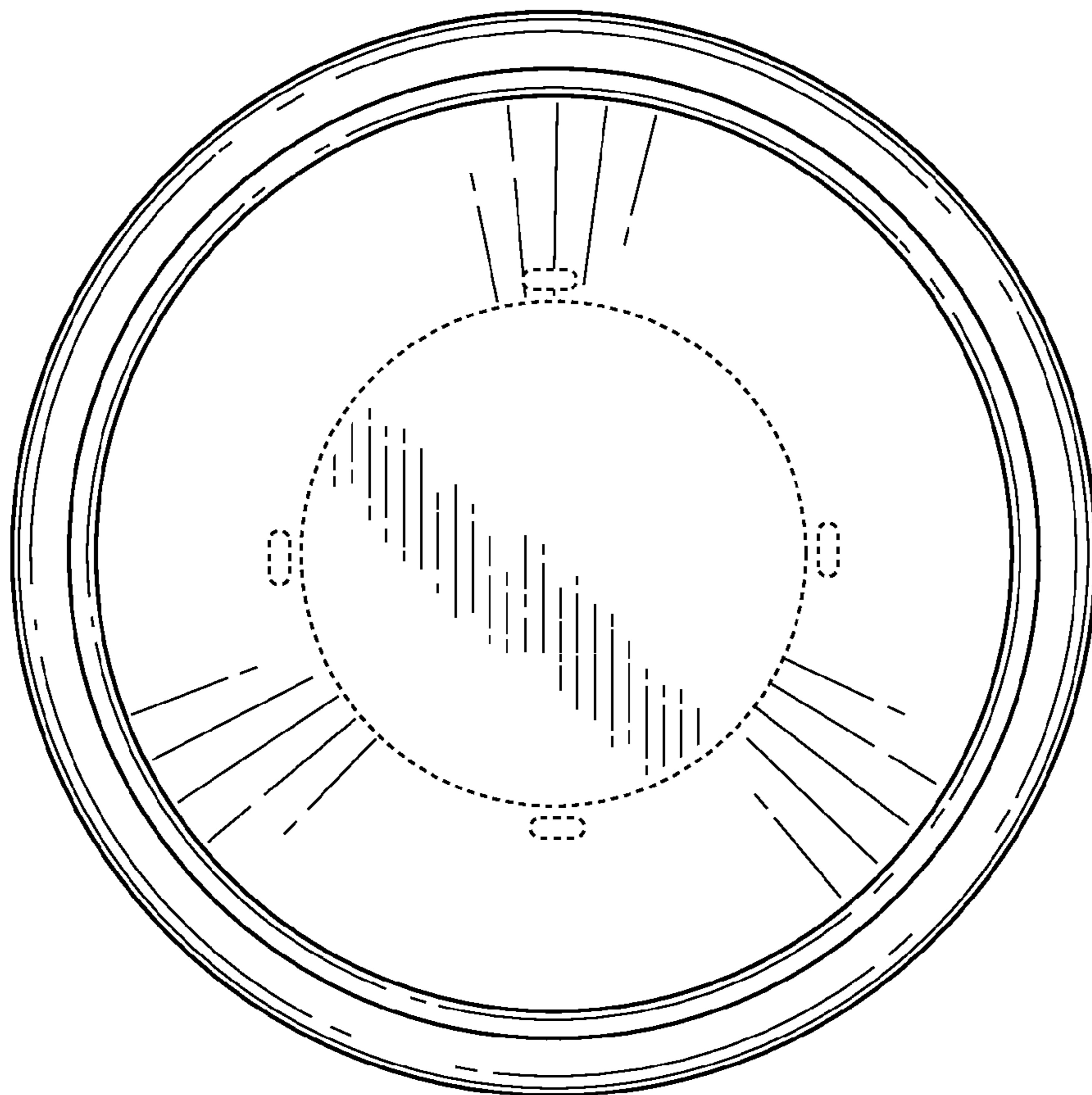


FIG. 12

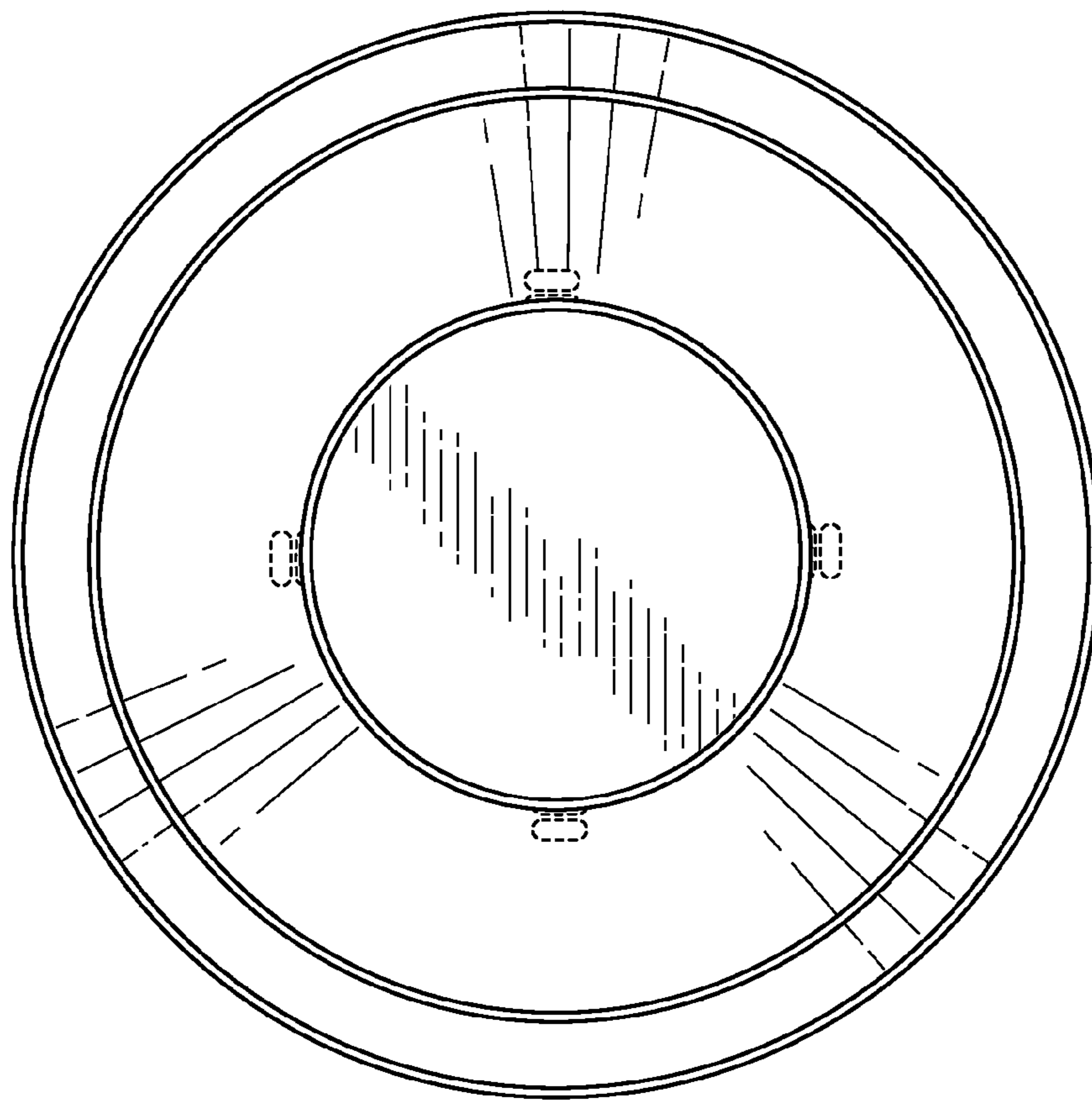


FIG. 13

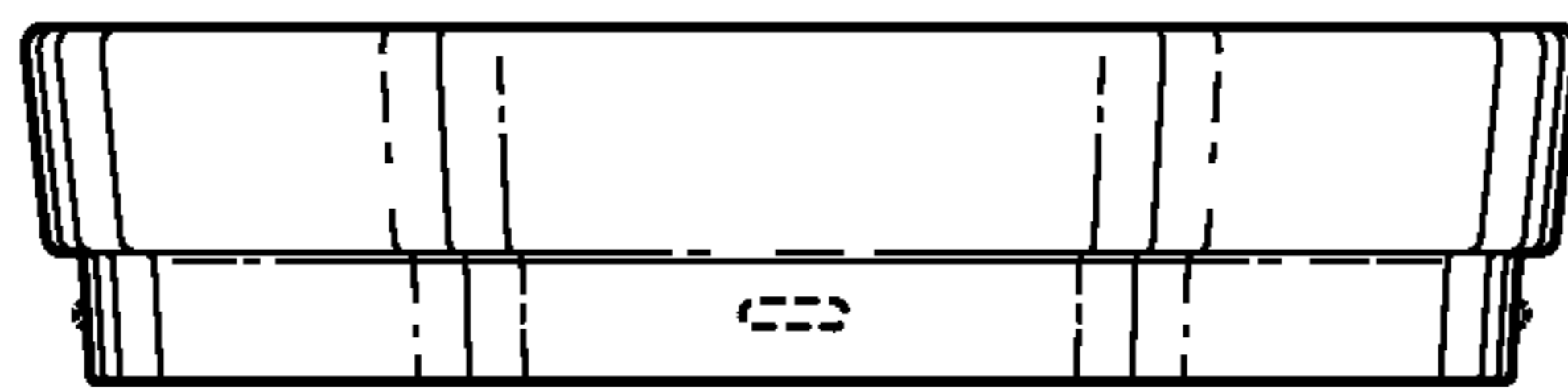


FIG. 14

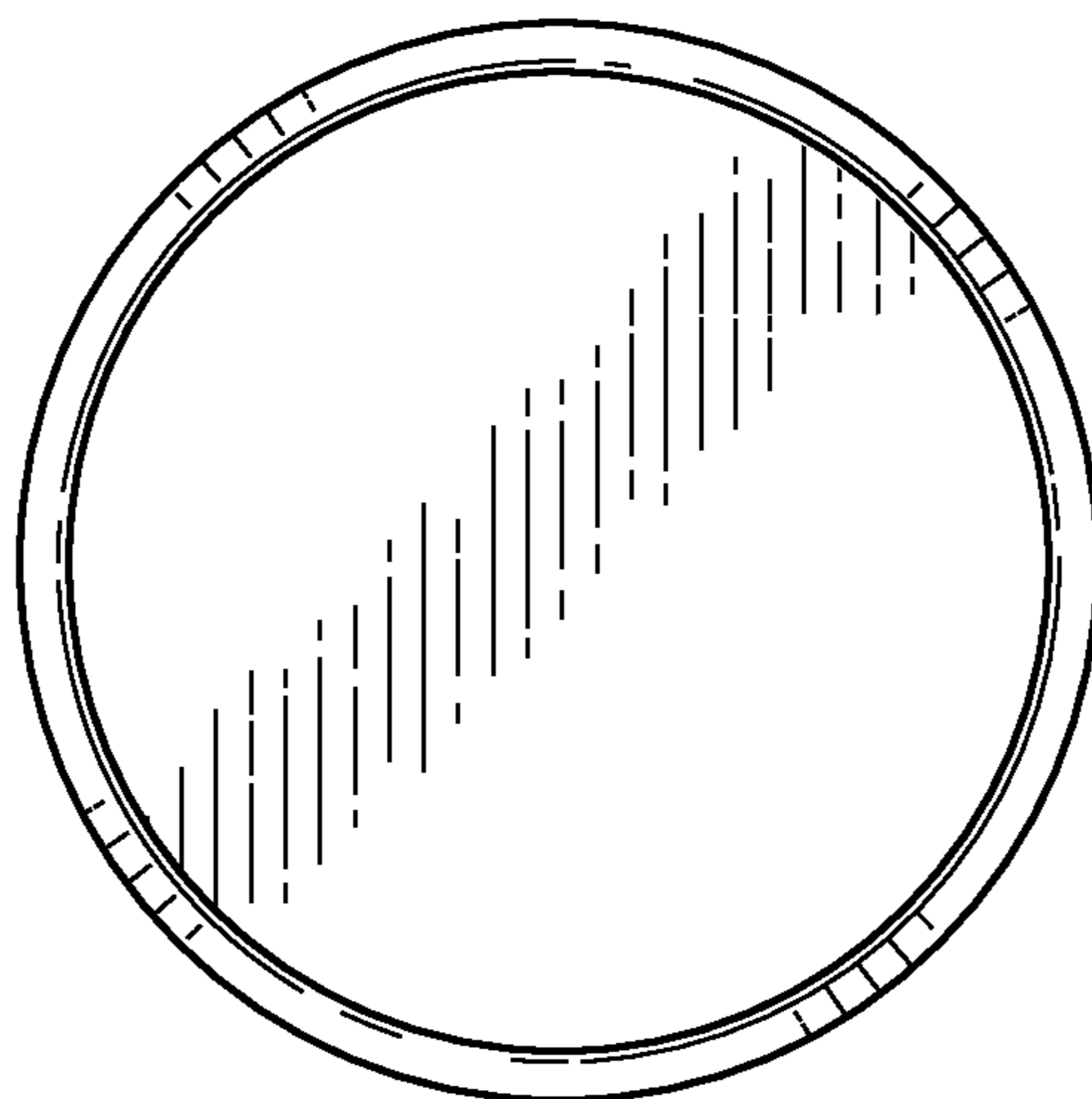


FIG. 15

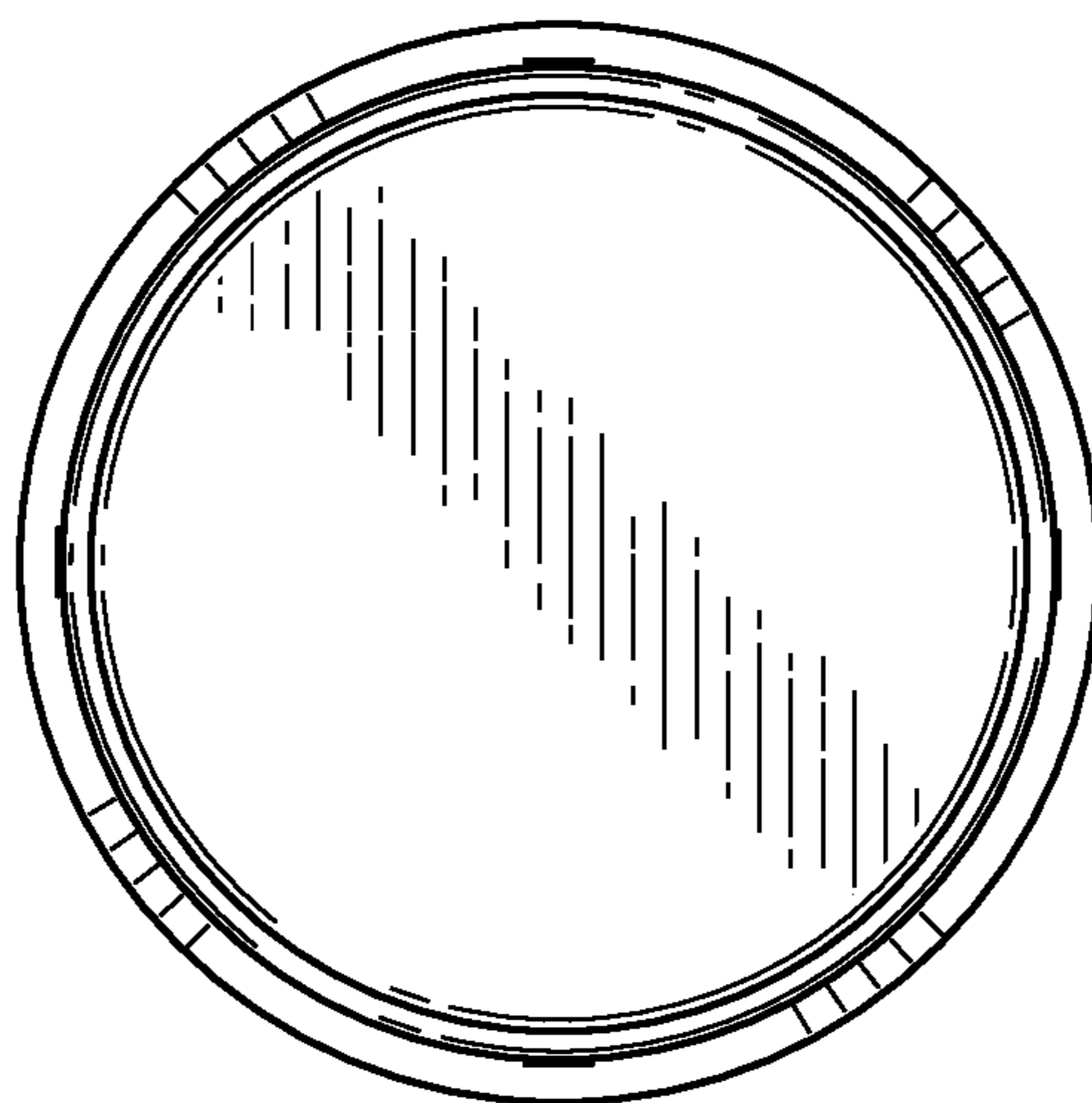


FIG. 16

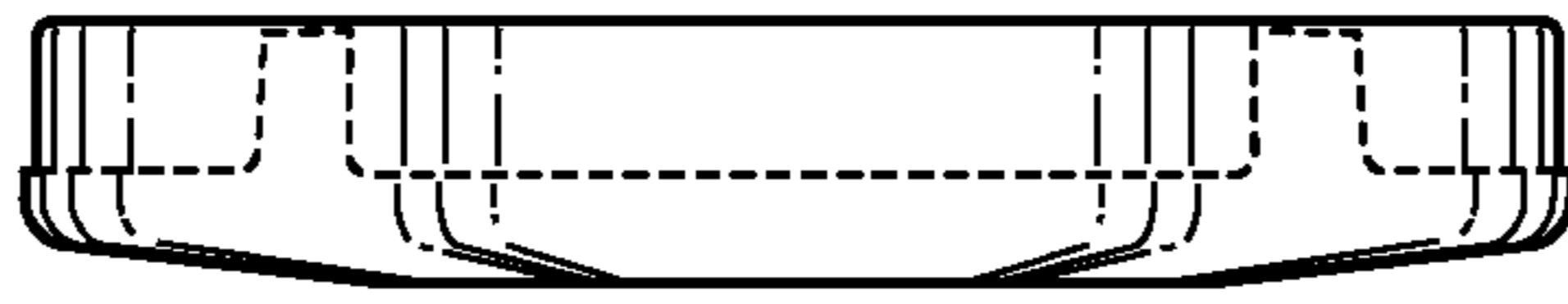


FIG. 17

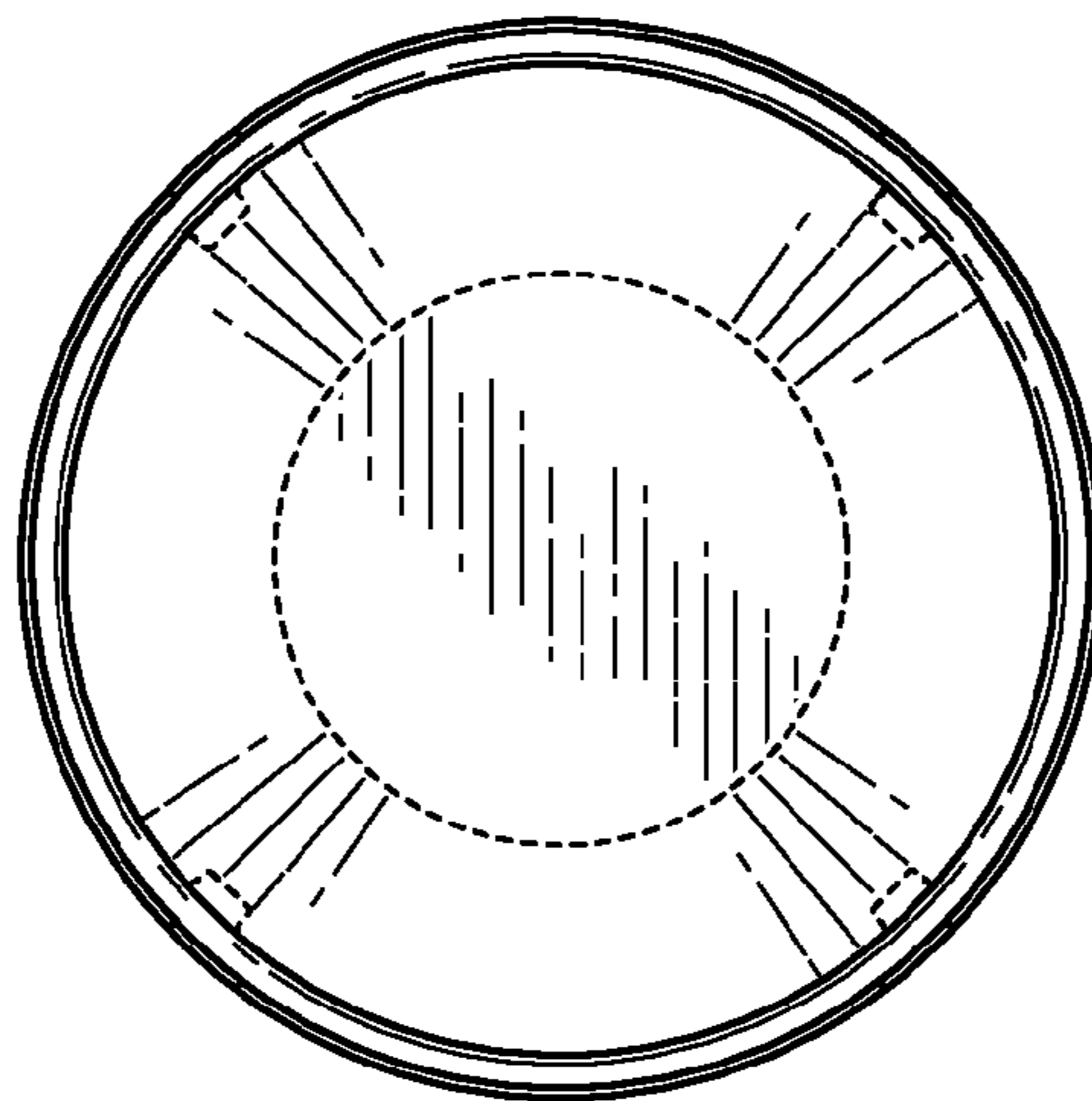


FIG. 18

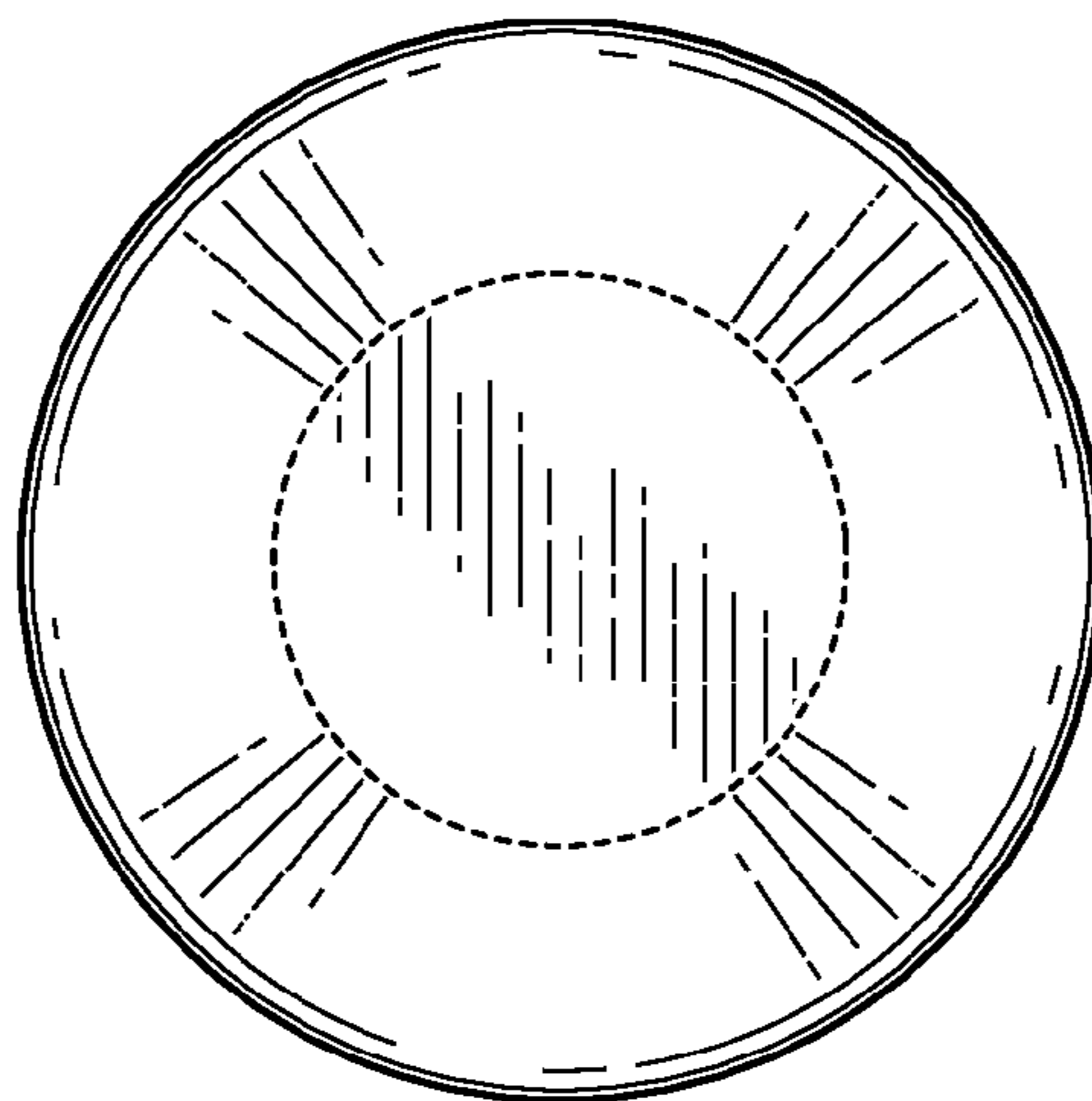


FIG. 19