



US00D682615S

(12) **United States Design Patent**  
 **Holding et al.**

(10) **Patent No.:** **US D682,615 S**

(45) **Date of Patent:** **\*\* May 21, 2013**

(54) **NEST PLUS**

(75) Inventors: **Bill Holding**, London (GB); **Ben Cox**,  
London (GB)

(73) Assignee: **Joseph Joseph Ltd.**, London (GB)

(\*\*) Term: **14 Years**

(21) Appl. No.: **29/416,339**

(22) Filed: **Mar. 21, 2012**

(30) **Foreign Application Priority Data**

Oct. 11, 2011 (EM) ..... 001930124-0004

(51) **LOC (9) Cl.** ..... **07-01**

(52) **U.S. Cl.**  
USPC ..... **D7/505; D7/586**

(58) **Field of Classification Search** ..... D7/501,  
D7/505, 538, 543, 545, 500, 590, 360, 600.2,  
D7/553.6, 392.1, 601, 354, 555, 557, 566,  
D7/620, 629, 552.1, 589, 586; D9/743, 745;  
220/751, 23.4, 574; 206/514; 73/426  
See application file for complete search history.

(56) **References Cited**

**U.S. PATENT DOCUMENTS**

D167,166 S *	7/1952	Rodier	.....	D7/318
D282,897 S *	3/1986	Conti et al.	.....	D7/602
D313,148 S *	12/1990	de Winter	.....	D7/318
5,419,454 A *	5/1995	Stowell et al.	.....	220/574
5,678,716 A *	10/1997	Umiker	.....	220/4.26
D390,752 S *	2/1998	DeCoster	.....	D7/505
D473,752 S *	4/2003	Kerr	.....	D7/505
D473,754 S *	4/2003	Thun	.....	D7/545

D504,799 S *	5/2005	Lawson et al.	.....	D7/505
D521,319 S *	5/2006	Haataja	.....	D7/543
D522,313 S *	6/2006	Oyler et al.	.....	D7/543
D526,850 S *	8/2006	Sellers et al.	.....	D7/545
D538,599 S *	3/2007	Miller	.....	D7/586
D545,629 S *	7/2007	Mellen et al.	.....	D7/543
D547,119 S *	7/2007	Robinson	.....	D7/505
D565,357 S *	4/2008	Chan	.....	D7/586
D593,807 S *	6/2009	Kong	.....	D7/586
D616,251 S *	5/2010	Heiberg et al.	.....	D7/566
D635,819 S *	4/2011	Molayem	.....	D7/357
D639,115 S *	6/2011	Stewart et al.	.....	D7/543

\* cited by examiner

*Primary Examiner* — Cynthia Underwood

(74) *Attorney, Agent, or Firm* — Millen, White, Zelano & Branigan, P.C.

(57) **CLAIM**

The ornamental design for nest plus, as shown and described.

**DESCRIPTION**

FIG. 1 is a bottom view of the nest plus showing my new design.

FIG. 2 is a front view of the nest plus showing my new design.

FIG. 3 is a perspective view of the nest plus showing my new design.

FIG. 4 is a side view of the nest plus showing my new design.

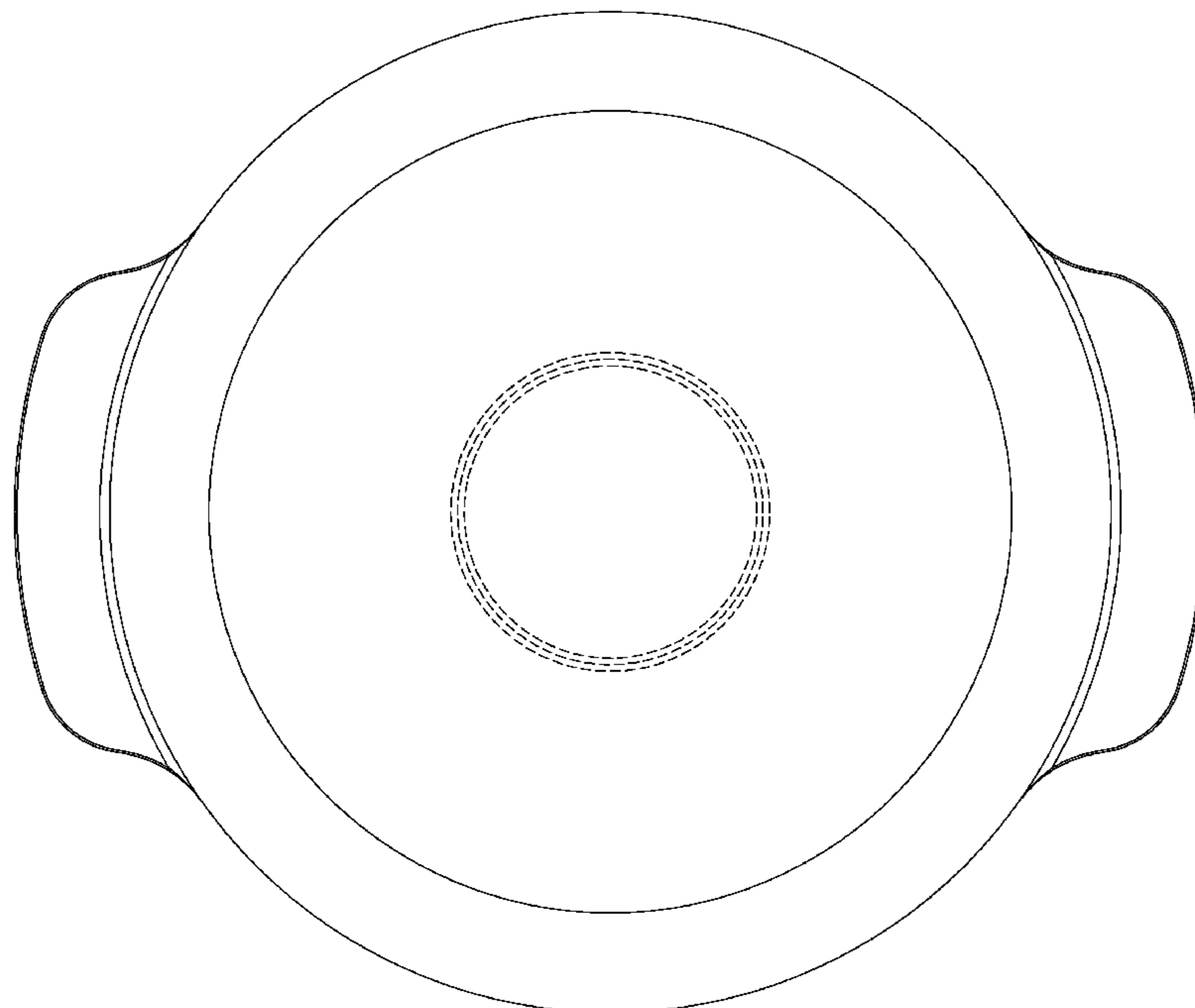
FIG. 5 is another side view of the nest plus showing my new design.

FIG. 6 is a top view of the nest plus showing my new design; and,

FIG. 7 is a back view of the nest plus showing my new design.

The broken lines are included for illustrative purposes only and form no part of the claim.

**1 Claim, 7 Drawing Sheets**



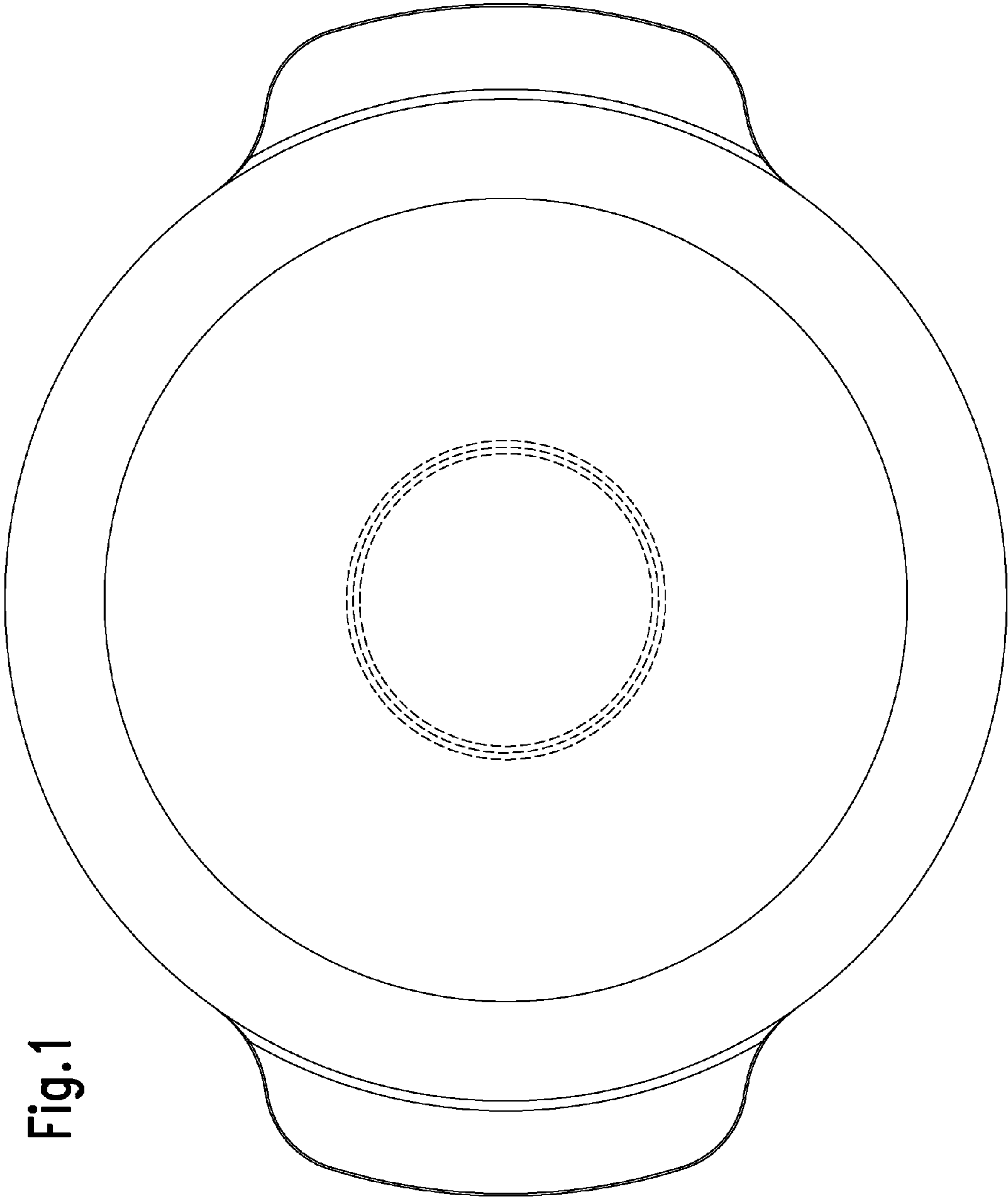
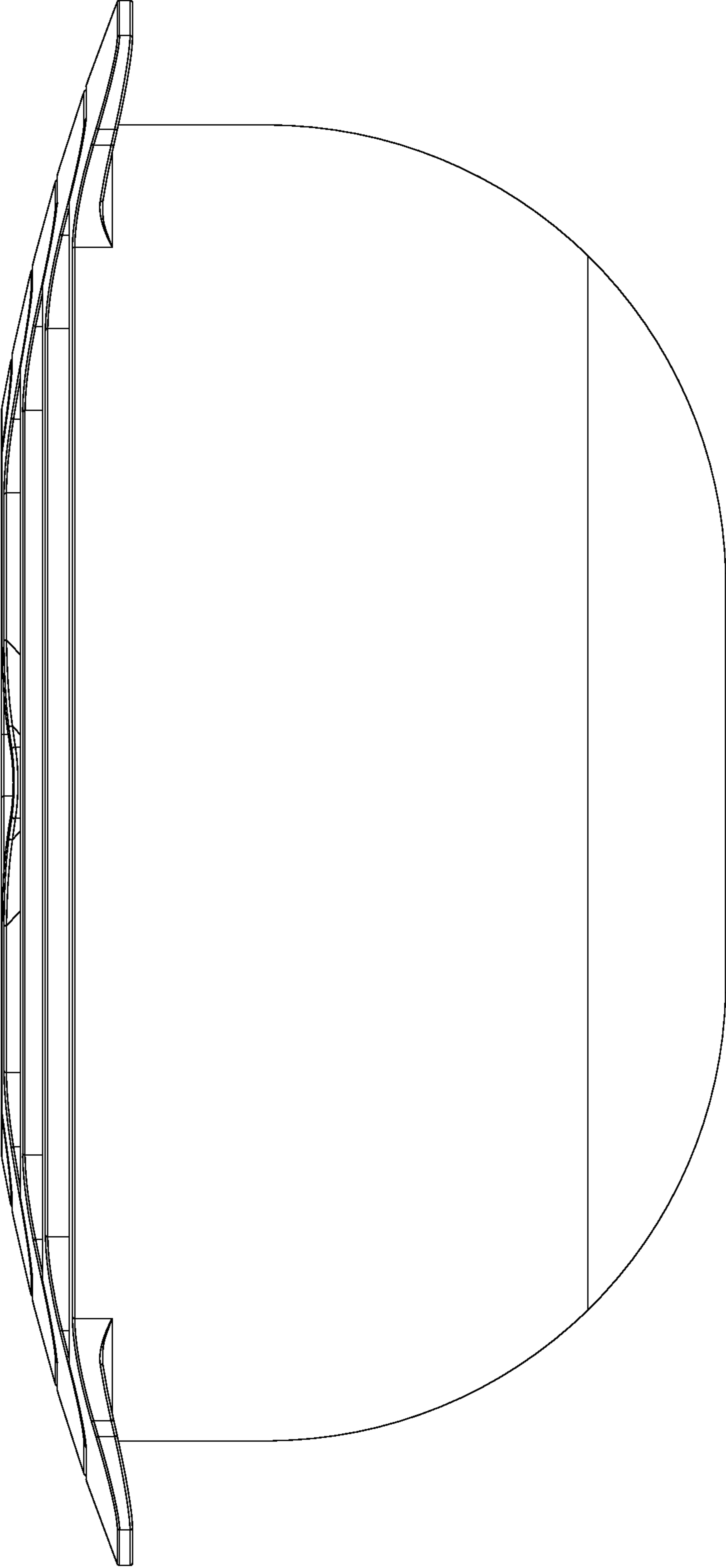


Fig.1

Fig. 2



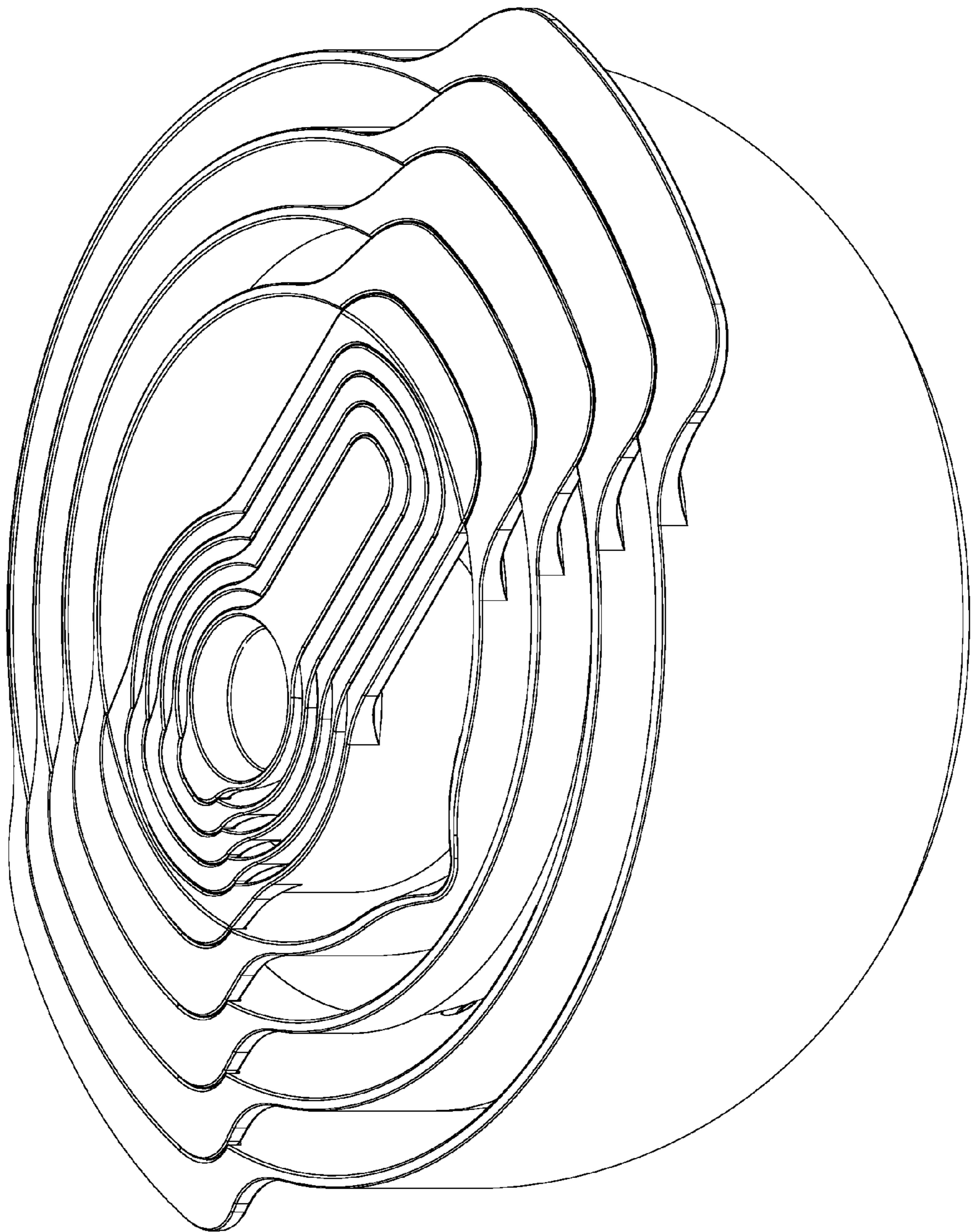


Fig. 3

Fig. 4

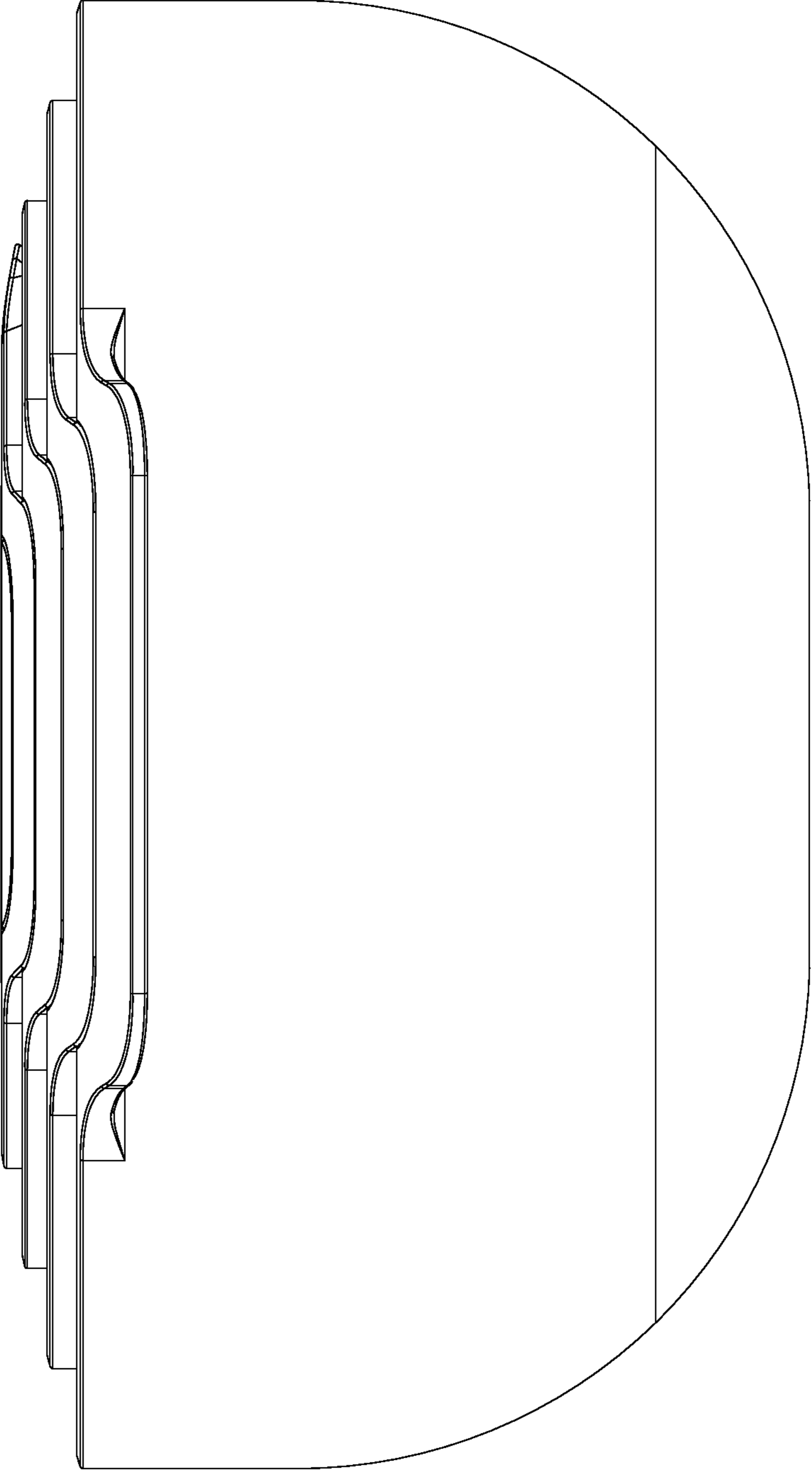
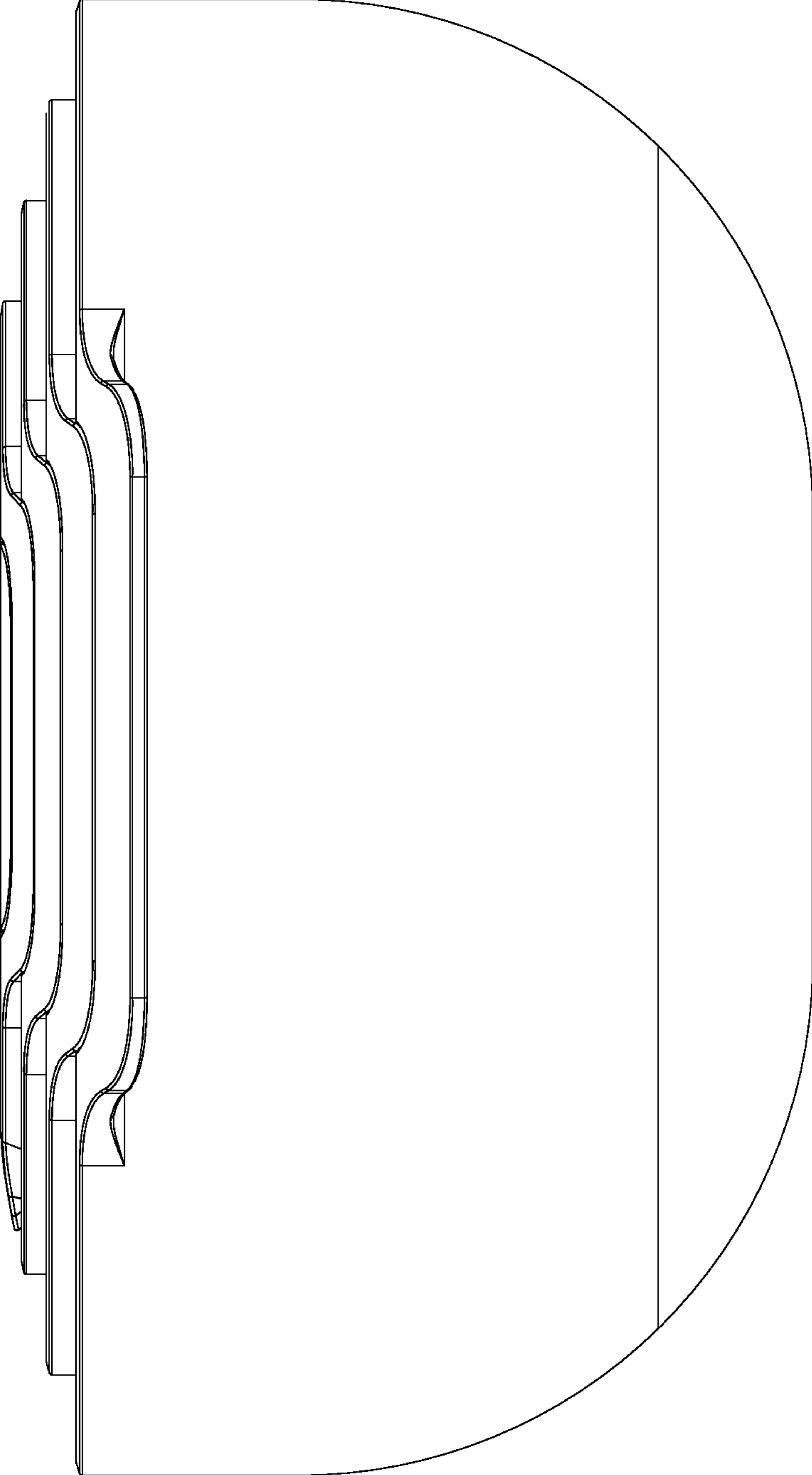


Fig. 5



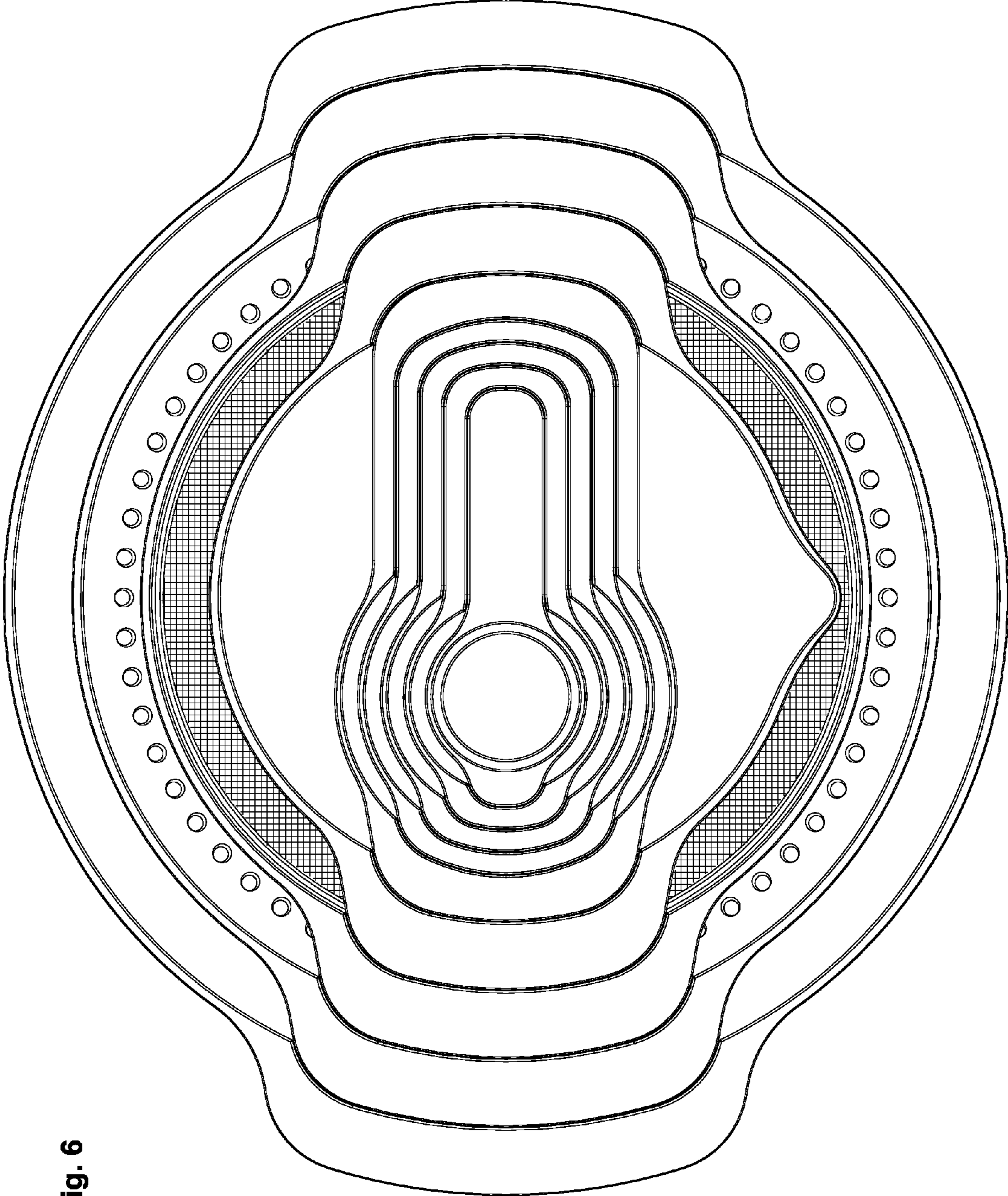


Fig. 6

Fig. 7

