



US00D682614S

(12) **United States Design Patent**  
**Loyd**

(10) **Patent No.:** **US D682,614 S**

(45) **Date of Patent:** **\*\* May 21, 2013**

(54) **SPLASH GUARD WITH CONTROLS**

(75) **Inventor:** **Casey Loyd, Pomona, CA (US)**

(73) **Assignee:** **Lloyds IP Holdings LLC, Pomona, CA (US)**

(\*\*) **Term:** **14 Years**

(21) **Appl. No.:** **29/387,439**

(22) **Filed:** **Mar. 14, 2011**

(51) **LOC (9) Cl.** ..... **07-02**

(52) **U.S. Cl.**  
**USPC** ..... **D7/406**

(58) **Field of Classification Search** ..... **D7/304,**  
**D7/339-441, 346-349; 126/19 R, 21 A,**  
**126/21 R, 39 B, 39 C, 239 R, 273 A, 273 R,**  
**126/275 E, 183, 152, 42, 190, 198, 37 R;**  
**219/391-394, 756-758, 679-680, 725, 727,**  
**219/734, 403; 99/DIG. 14; D13/177; D15/89;**  
**D32/28; 34/88, 524**

See application file for complete search history.

(56) **References Cited**

**U.S. PATENT DOCUMENTS**

D188,362 S *	7/1960	Clark	.....	D7/406
D201,334 S *	6/1965	Perry	.....	D7/406
3,598,962 A *	8/1971	Badnaruk et al.	.....	219/403
D369,514 S *	5/1996	Baldwin	.....	D7/406
D513,684 S *	1/2006	Jackovin et al.	.....	D7/406
D522,193 S *	5/2006	Carey et al.	.....	D32/28

D547,609 S *	7/2007	Chung	.....	D7/406
D582,210 S *	12/2008	McKenzie	.....	D7/402
D610,404 S *	2/2010	Baacke et al.	.....	D7/406
D612,685 S *	3/2010	Baker et al.	.....	D7/405
D613,010 S *	3/2010	Eicher et al.	.....	D32/28
D628,438 S *	12/2010	Knochner	.....	D7/405
D630,472 S *	1/2011	Baacke et al.	.....	D7/406
D645,702 S *	9/2011	Baacke et al.	.....	D7/405
D645,703 S *	9/2011	Sadtler	.....	D7/405
D670,969 S *	11/2012	Bengtson et al.	.....	D7/406

**OTHER PUBLICATIONS**

Pages from on-line product catalogue of Bull Outdoor Products, Inc., publication date and author unknown.

\* cited by examiner

*Primary Examiner* — T. Chase Nelson

*Assistant Examiner* — Mark Cavanna

(74) *Attorney, Agent, or Firm* — Thomas A. Runk; Fulwider Patton LLP

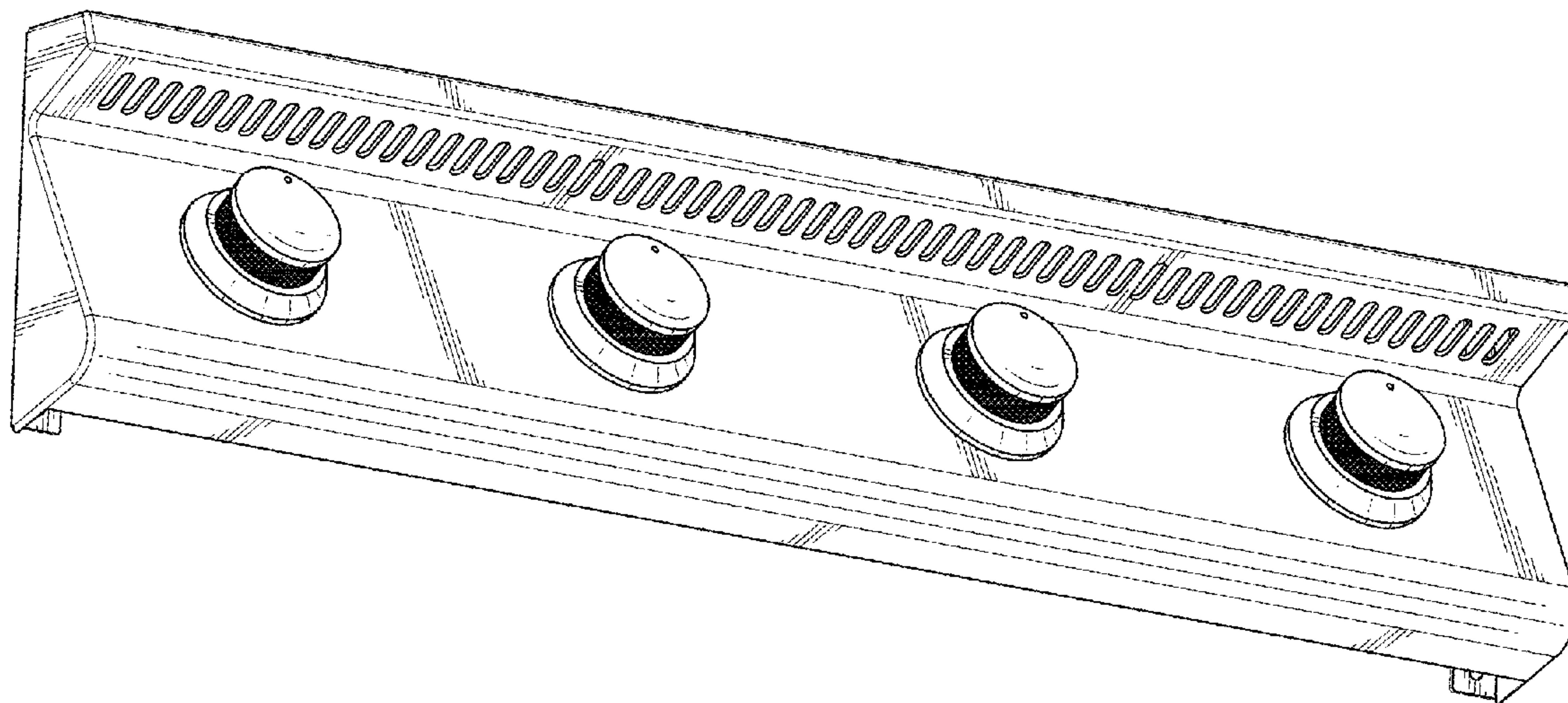
(57) **CLAIM**

The ornamental design for splash guard with controls, as shown and described.

**DESCRIPTION**

FIG. 1 is a perspective view of a splash guard with controls showing my new design;  
FIG. 2 is a front view thereof;  
FIG. 3 is an end view thereof;  
FIG. 4 is a top view thereof; and,  
FIG. 5 is a bottom view thereof.

**1 Claim, 2 Drawing Sheets**



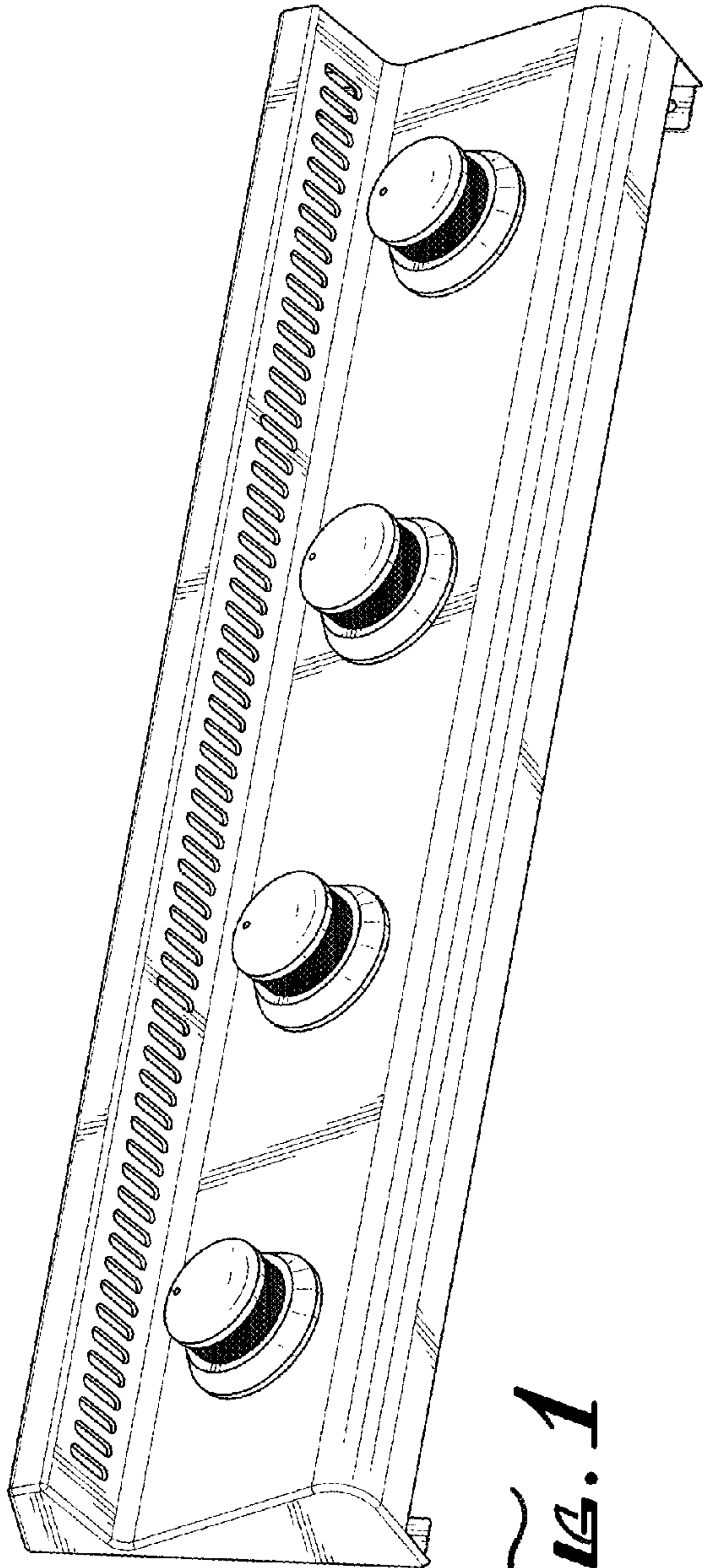


FIG. 1

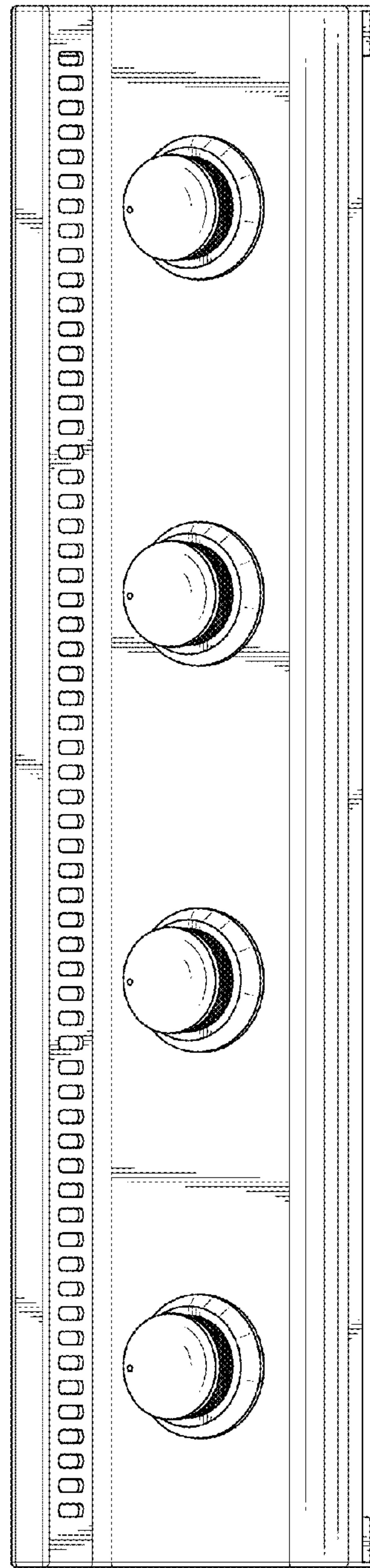


FIG. 2

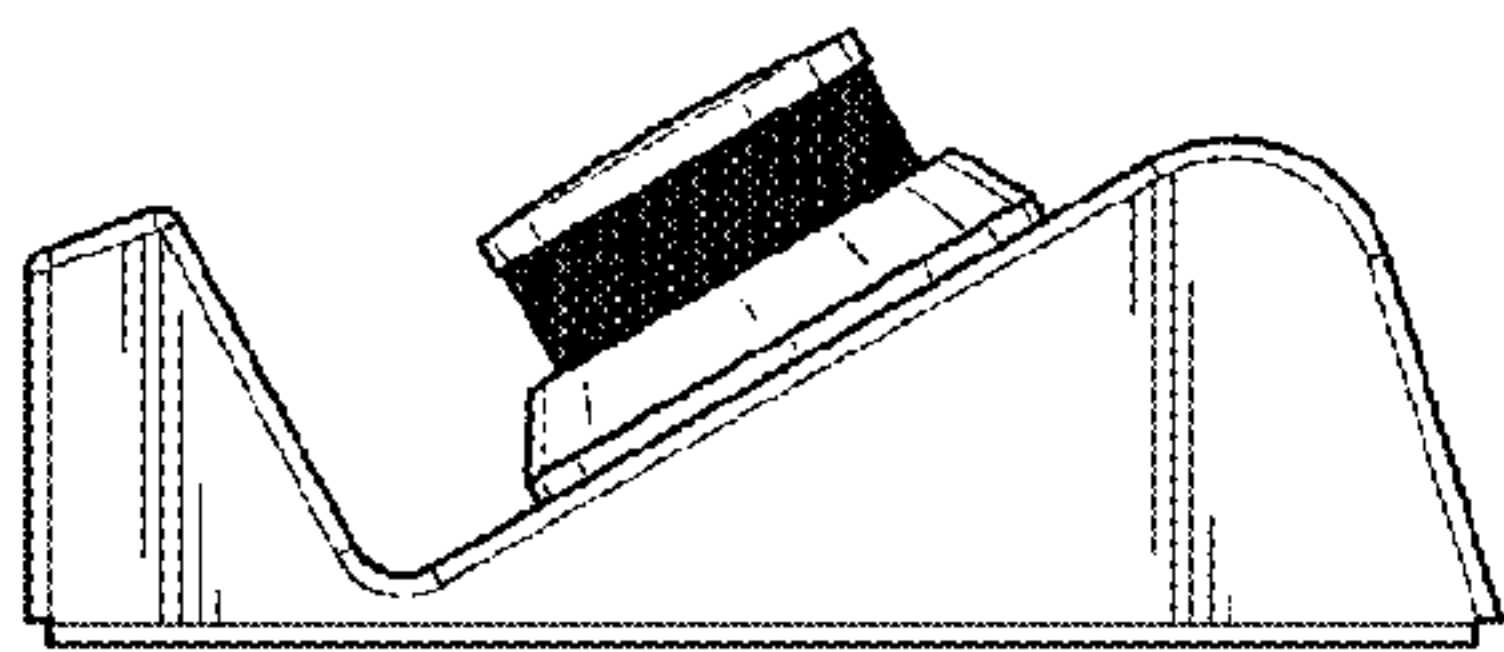


FIG. 3

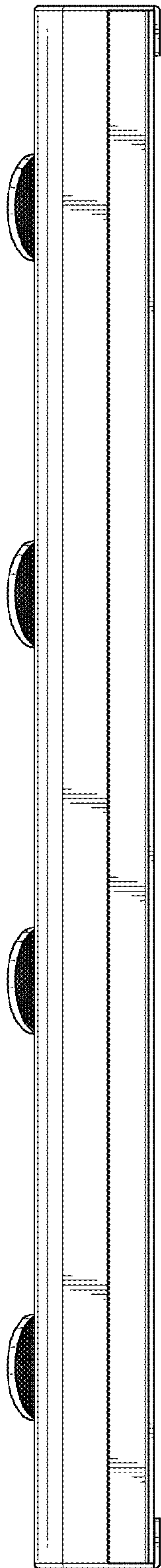


FIG. 4

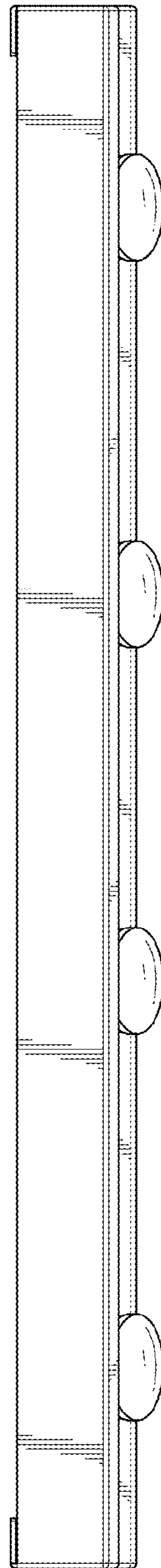


FIG. 5