



US00D682613S

(12) **United States Design Patent**
De Leo

(10) **Patent No.:** **US D682,613 S**

(45) **Date of Patent:** **** May 21, 2013**

(54) **CHILD'S UTENSIL HANDLE**

(71) Applicant: **Dart Industries Inc.**, Orlando, FL (US)

(72) Inventor: **Anthony M. De Leo**, Orlando, FL (US)

(73) Assignee: **Dart Industries Inc.**, Orlando, FL (US)

(**) Term: **14 Years**

(21) Appl. No.: **29/437,865**

(22) Filed: **Nov. 21, 2012**

(51) **LOC (9) Cl.** **07-02**

(52) **U.S. Cl.**

USPC **D7/401.2; D7/642; D7/653**

(58) **Field of Classification Search** D7/368,
D7/393-395, 401.2, 642-646, 649-654, 660-664,
D7/669, 675-676, 683, 688-692, 695-696;
D8/14-18, 22; 30/120.1, 137, 141-143, 147-150,
30/322-327, 329, 340, 342-344; 416/70 R,
416/75

See application file for complete search history.

(56) **References Cited**

U.S. PATENT DOCUMENTS

D263,272 S *	3/1982	Jagger	D7/664
D271,739 S *	12/1983	Jagger	D7/664
D281,135 S *	10/1985	Jagger	D7/663
4,563,816 A *	1/1986	Jagger	30/343
D294,553 S *	3/1988	Jagger	D7/663
D413,049 S *	8/1999	Bergkvist	D7/653
D413,770 S *	9/1999	Joergensen	D7/653
D419,397 S *	1/2000	Liu	D7/663

D482,248 S *	11/2003	Roehrig	D7/663
D614,922 S *	5/2010	Sierra et al.	D7/653
D615,367 S *	5/2010	Sierra et al.	D7/653
D615,368 S *	5/2010	Sierra et al.	D7/653
D621,229 S *	8/2010	De Bretton Gordon	D7/645

* cited by examiner

Primary Examiner — Ricky Pham

(74) *Attorney, Agent, or Firm* — Taylor J. Ross

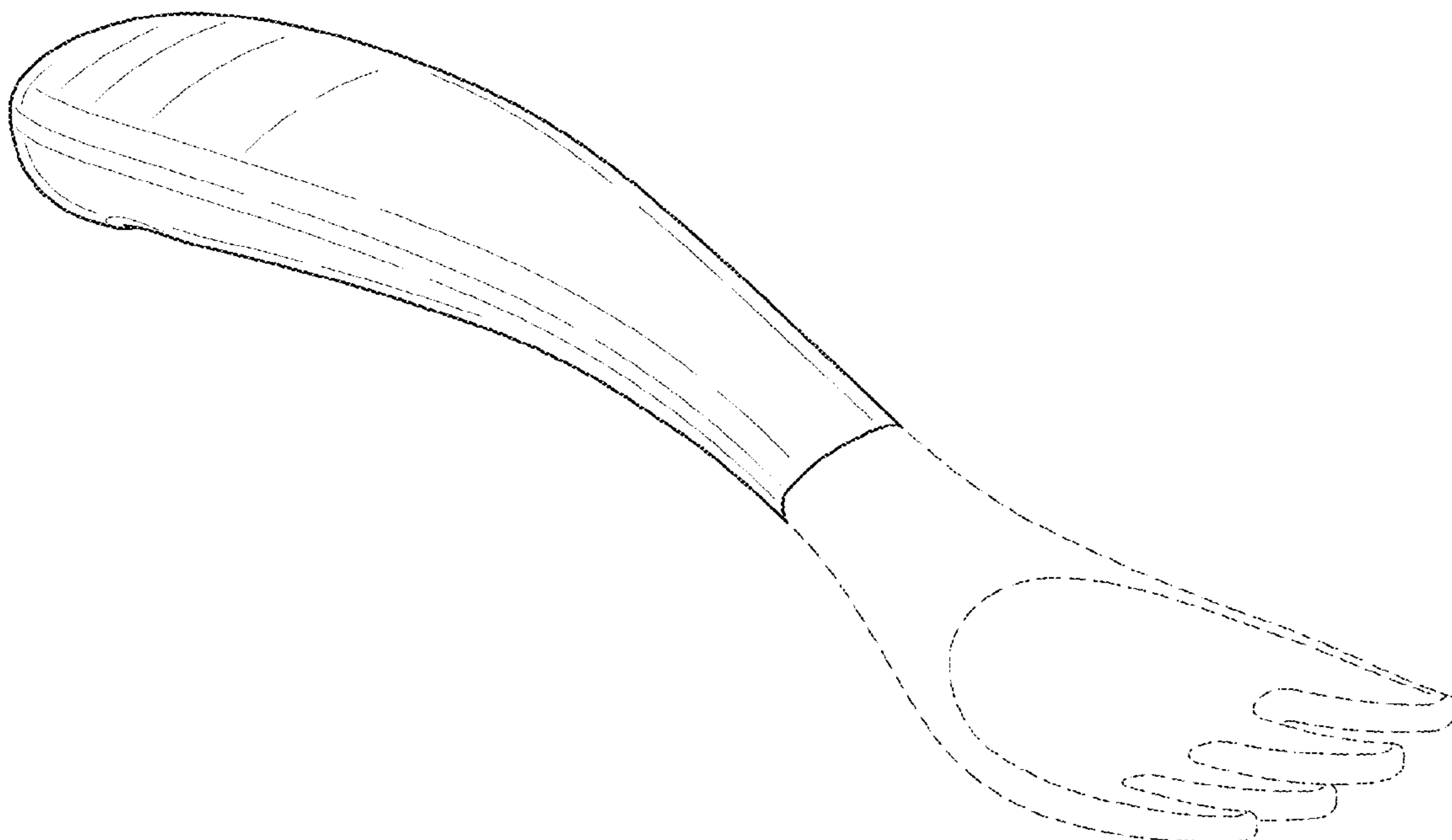
(57) **CLAIM**

The ornamental design for a child's utensil handle, as shown and described.

DESCRIPTION

FIG. 1 is a top, side and front perspective view of a child's utensil handle showing my new design;
FIG. 2 is a bottom, side and rear perspective view thereof;
FIG. 3 is a top plan view thereof.
FIG. 4 is a bottom plan view thereof;
FIG. 5 is a rear elevation view thereof;
FIG. 6 is a front elevation view thereof, phantom lines being removed for clarity;
FIG. 7 is a right side elevation view, the left side elevation being a mirror image thereof; and,
FIG. 8 is cross-sectional view taken along line 8-8 of FIG. 3.
The broken lines shown in the drawings are for illustrative purposes only and form no part of the claimed design.

1 Claim, 3 Drawing Sheets



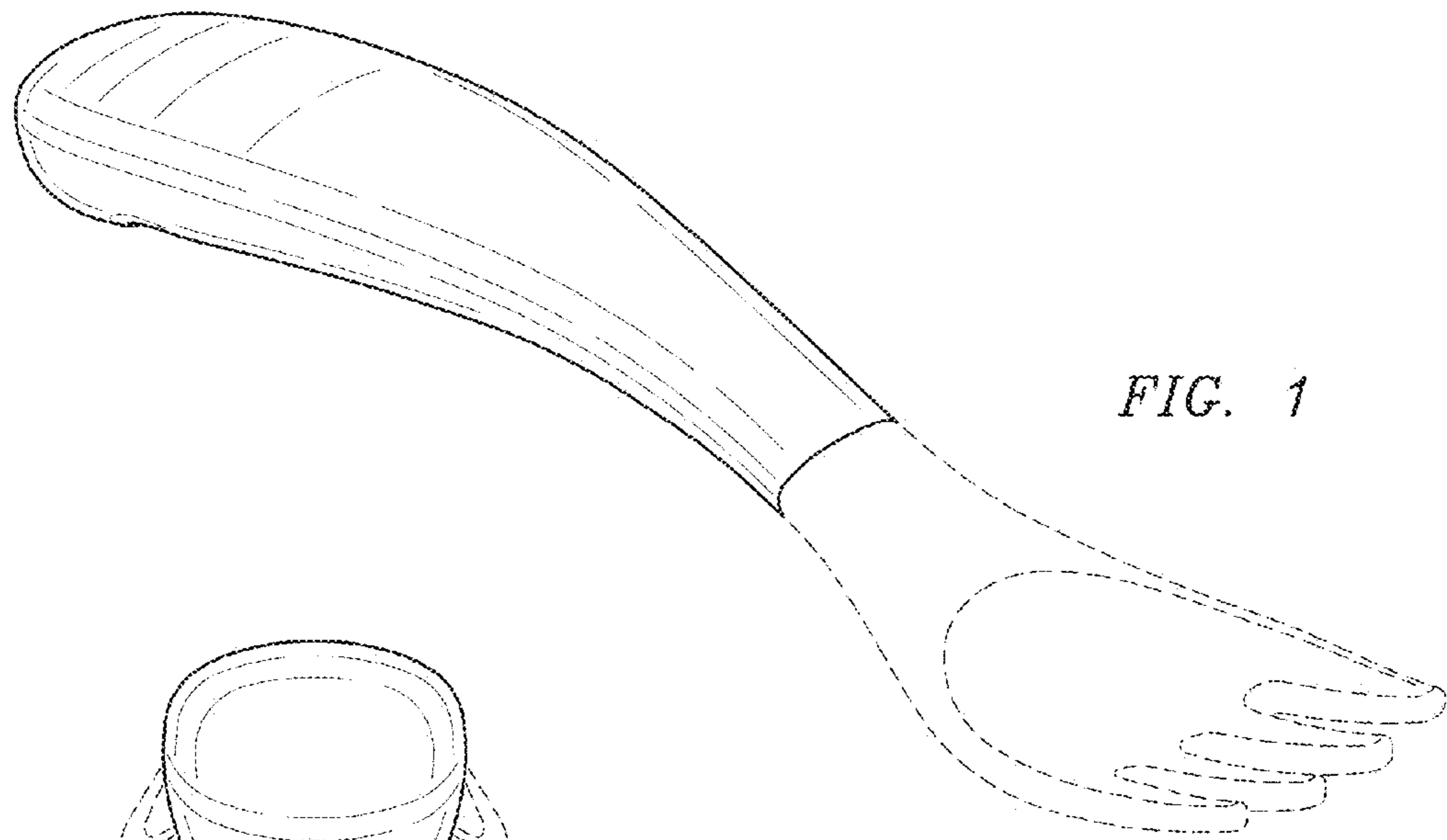


FIG. 1

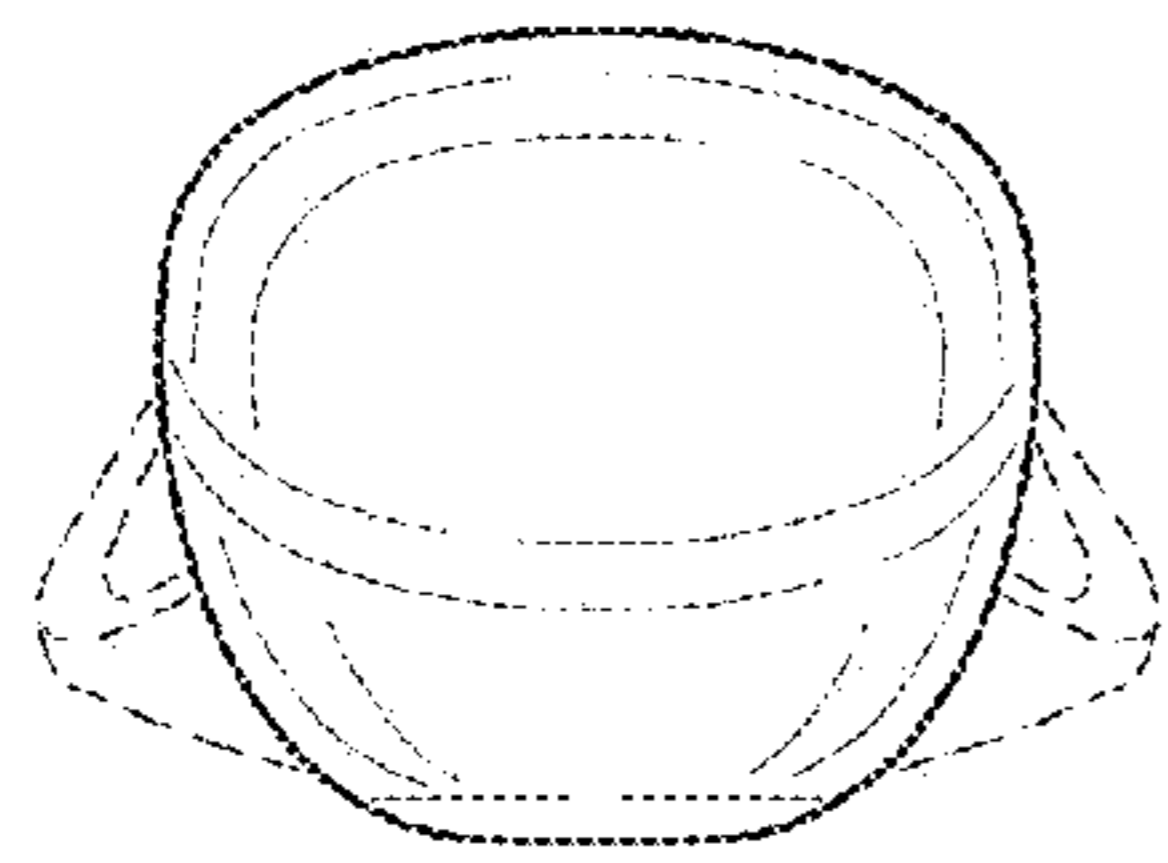


FIG. 5

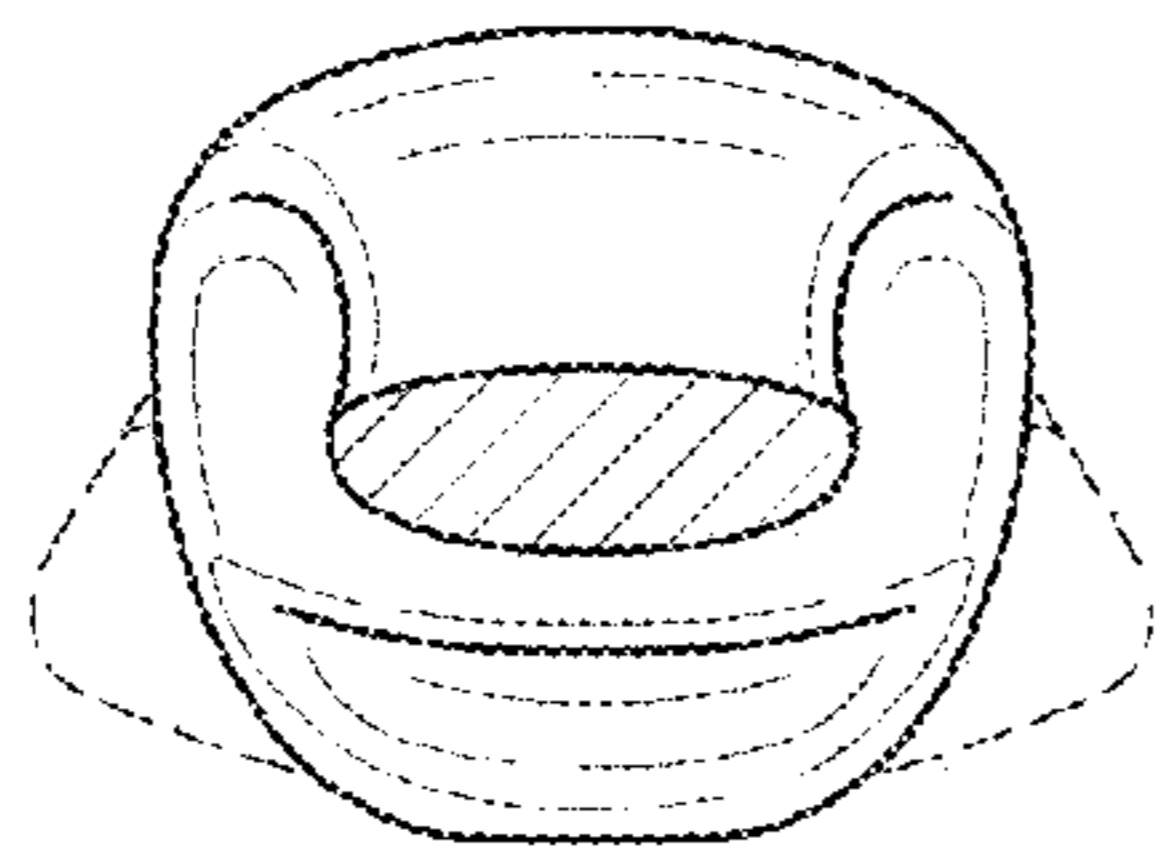


FIG. 6

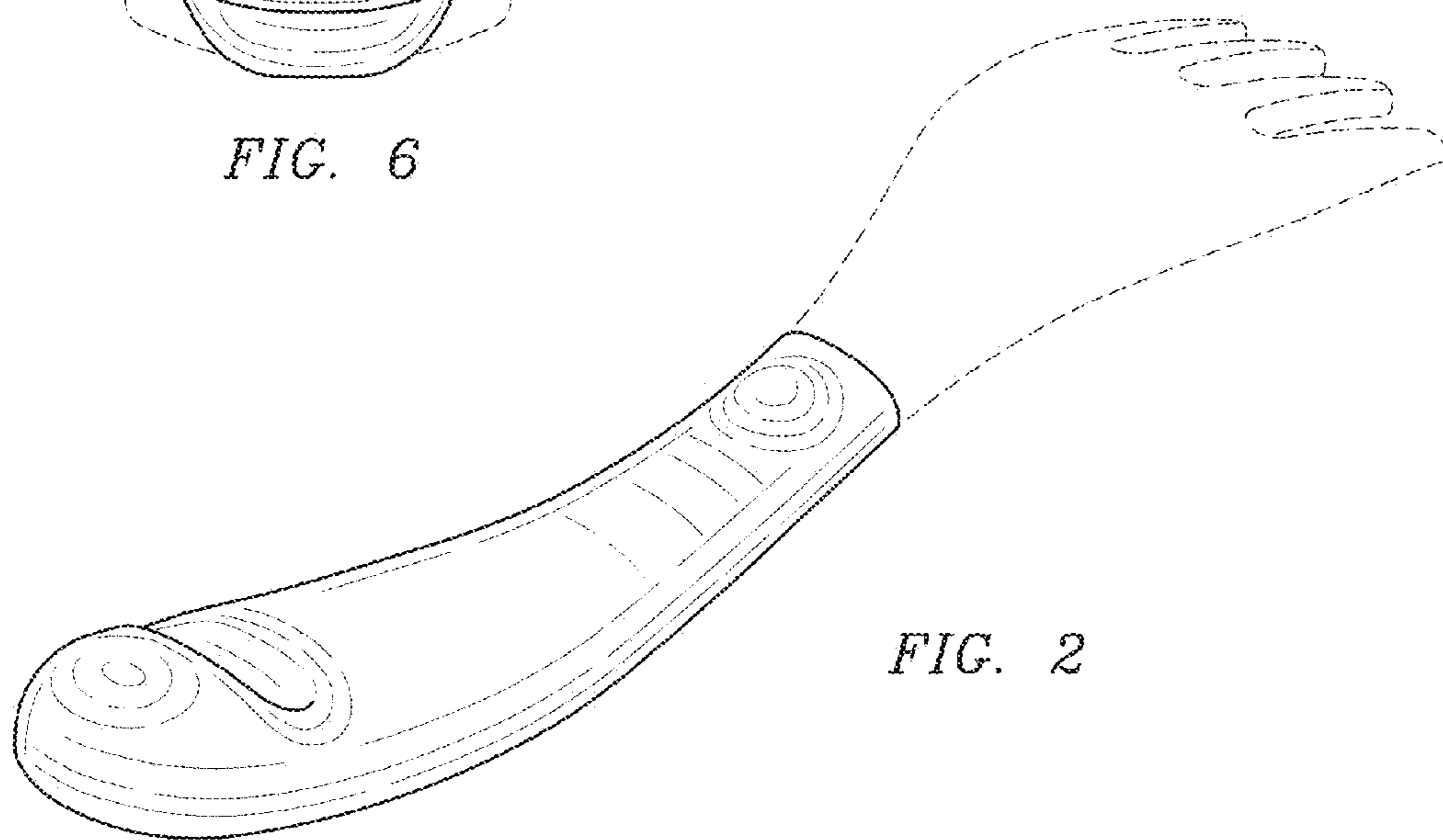
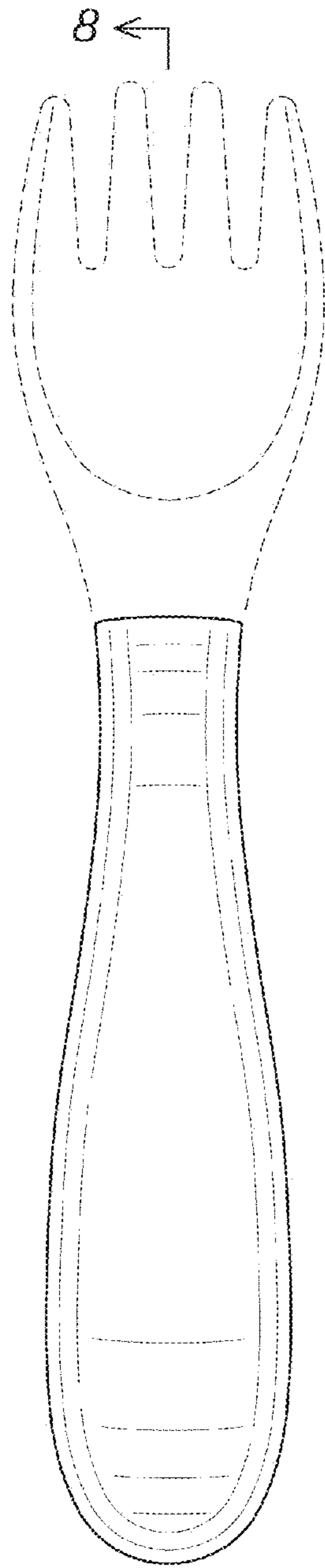


FIG. 2



8 ←
FIG. 3

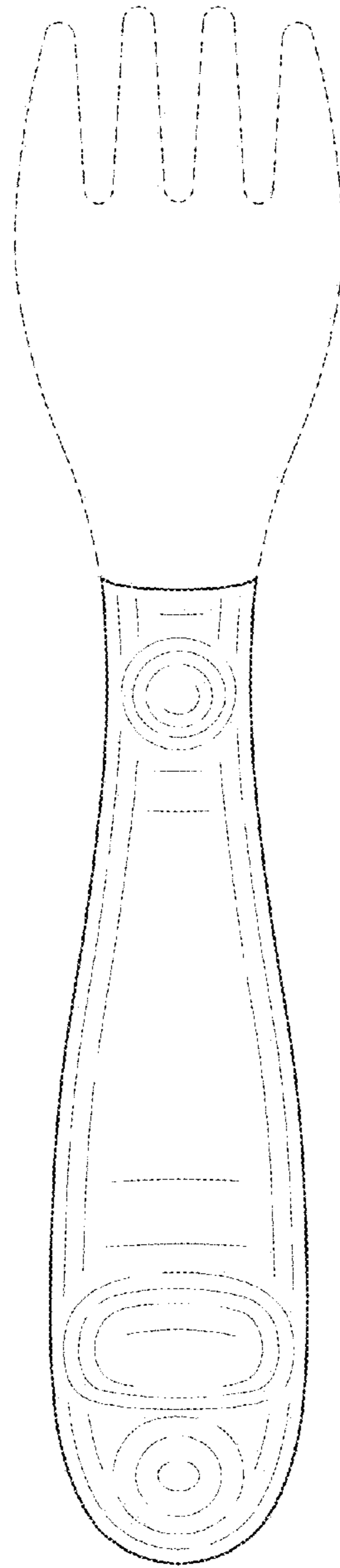


FIG. 4

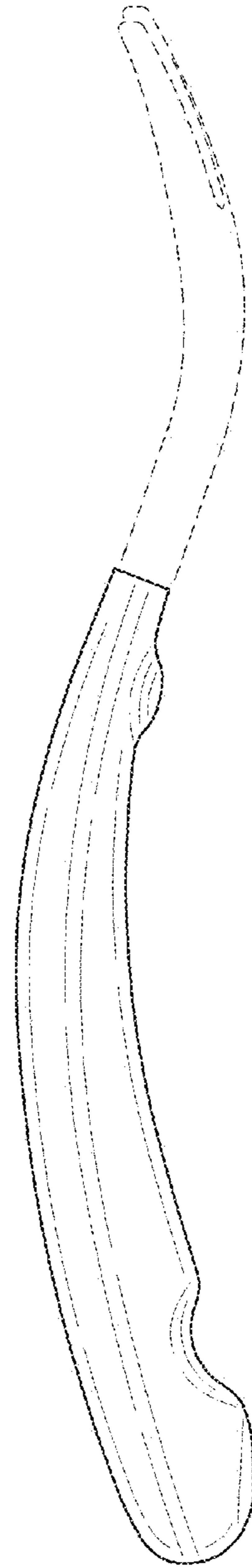


FIG. 7

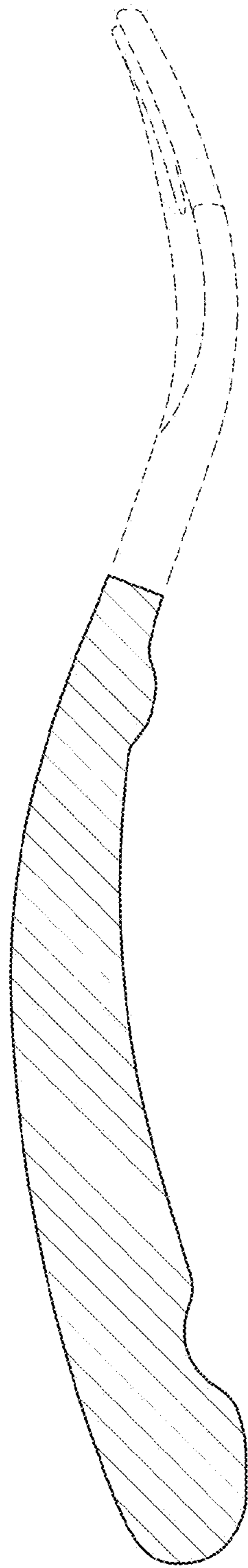


FIG. 8