



US00D682612S

(12) **United States Design Patent**  
**Rzepecki**

(10) **Patent No.:** **US D682,612 S**  
(45) **Date of Patent:** **\*\* May 21, 2013**

- (54) **MASON JAR LID**
- (75) Inventor: **Karen Rzepecki**, Wattsburg, PA (US)
- (73) Assignee: **TimberMist Enterprises LLC**,  
Wattsburg, PA (US)
- (\*\*) Term: **14 Years**
- (21) Appl. No.: **29/422,791**
- (22) Filed: **May 24, 2012**
- (51) **LOC (9) Cl.** ..... **07-02**
- (52) **U.S. Cl.**  
USPC ..... **D7/392.1; D9/449**
- (58) **Field of Classification Search** ..... D7/391,  
D7/392, 392.1, 396.2, 509-511, 523, 608,  
D7/900; D9/443, 446, 447, 449, 450, 453,  
D9/454, 505; 215/11.6, 44, 224, 229, 306,  
215/311; 220/3.75, 23.83, 212.5, 292, 714,  
220/705; 222/83, 420, 450, 530, 543  
See application file for complete search history.

|              |         |         |       |          |
|--------------|---------|---------|-------|----------|
| D646,919 S * | 10/2011 | Nilsson | ..... | D7/300.1 |
| D655,131 S * | 3/2012  | Nilsson | ..... | D7/392.1 |
| D656,357 S * | 3/2012  | Enghard | ..... | D7/300.1 |
| D666,047 S * | 8/2012  | Lin     | ..... | D7/300.1 |

\* cited by examiner

*Primary Examiner* — Susan E Krakower

(74) *Attorney, Agent, or Firm* — Jonathan M. D’Silva;  
MacDonald, Illig, Jones & Britton LLP

(57) **CLAIM**

The ornamental design for a mason jar lid, as shown and described.

**DESCRIPTION**

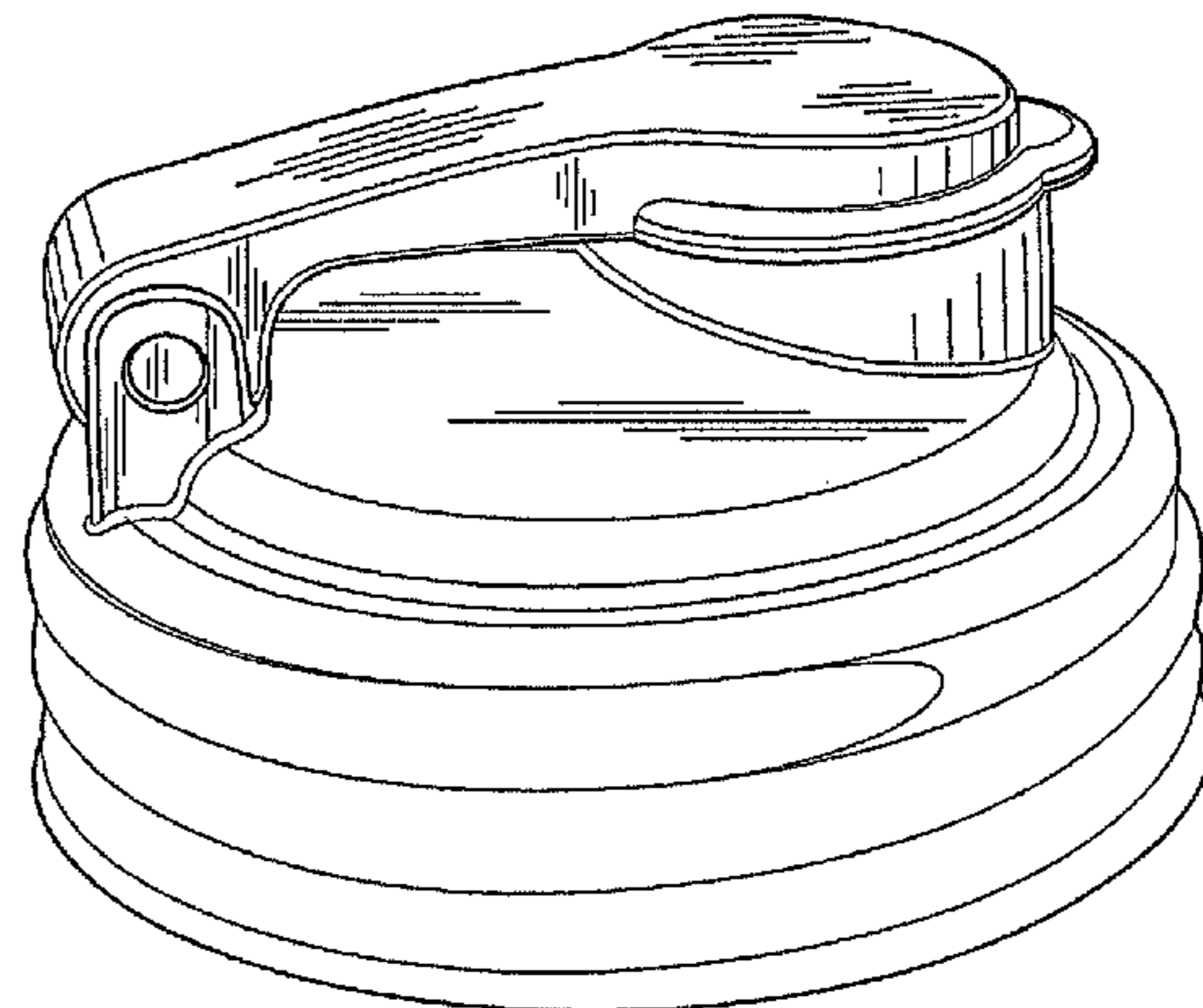
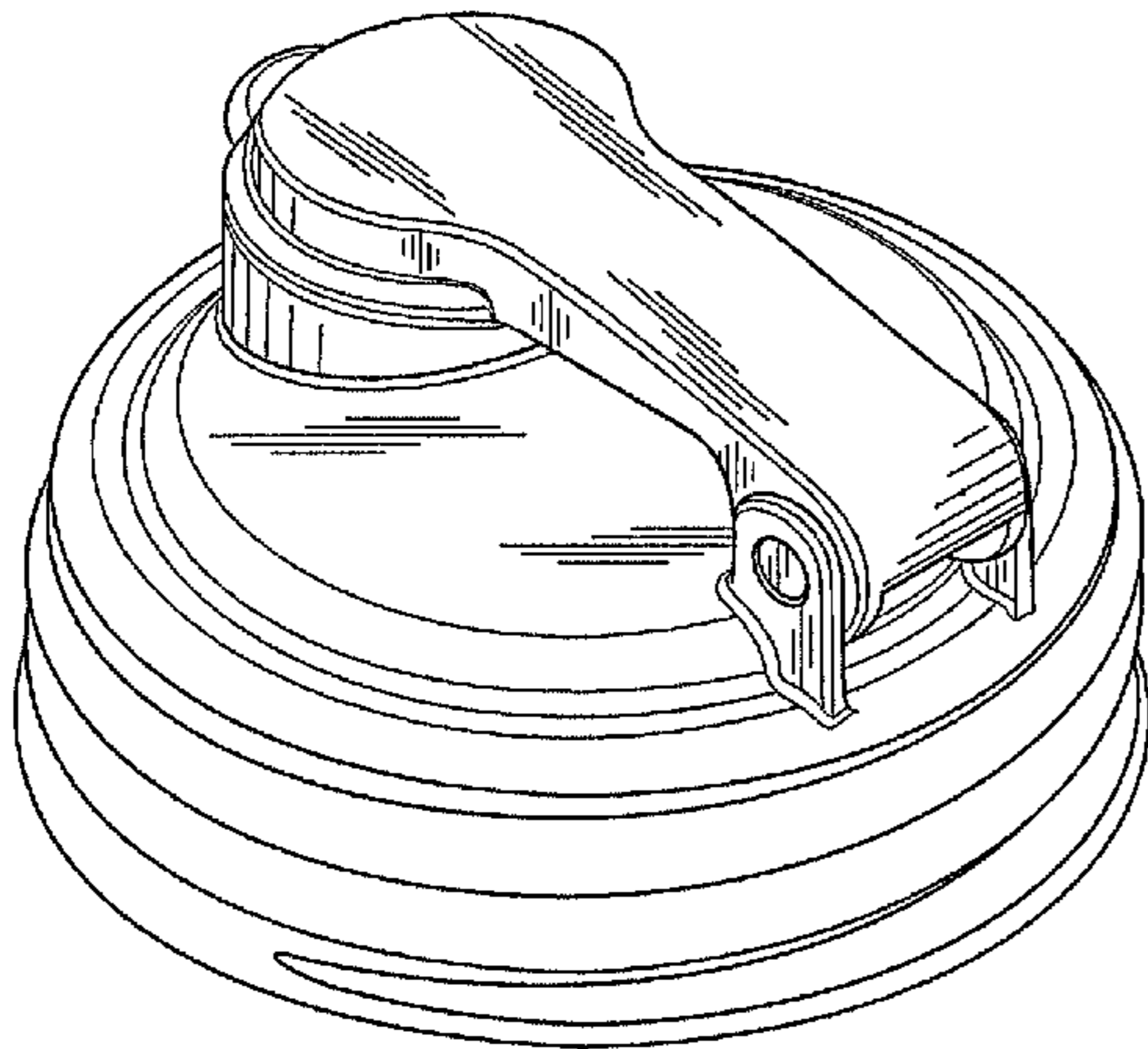
FIG. 1 is a left side and rear perspective view of the mason jar lid;  
 FIG. 2 is a right side perspective view of the mason jar lid shown in FIG. 1;  
 FIG. 3 is a front view of the mason jar lid shown in FIG. 1;  
 FIG. 4 is a rear view of the mason jar lid shown in FIG. 1;  
 FIG. 5 is a left side view of the mason jar lid shown in FIG. 1;  
 FIG. 6 is a right side view of the mason jar lid shown in FIG. 1;  
 FIG. 7 is a top view of the mason jar lid shown in FIG. 1;  
 FIG. 8 is a bottom view of the mason jar lid shown in FIG. 1;  
 and,  
 FIG. 9 is a left side view of the mason jar lid shown in FIG. 1, shown in a partially open configuration.

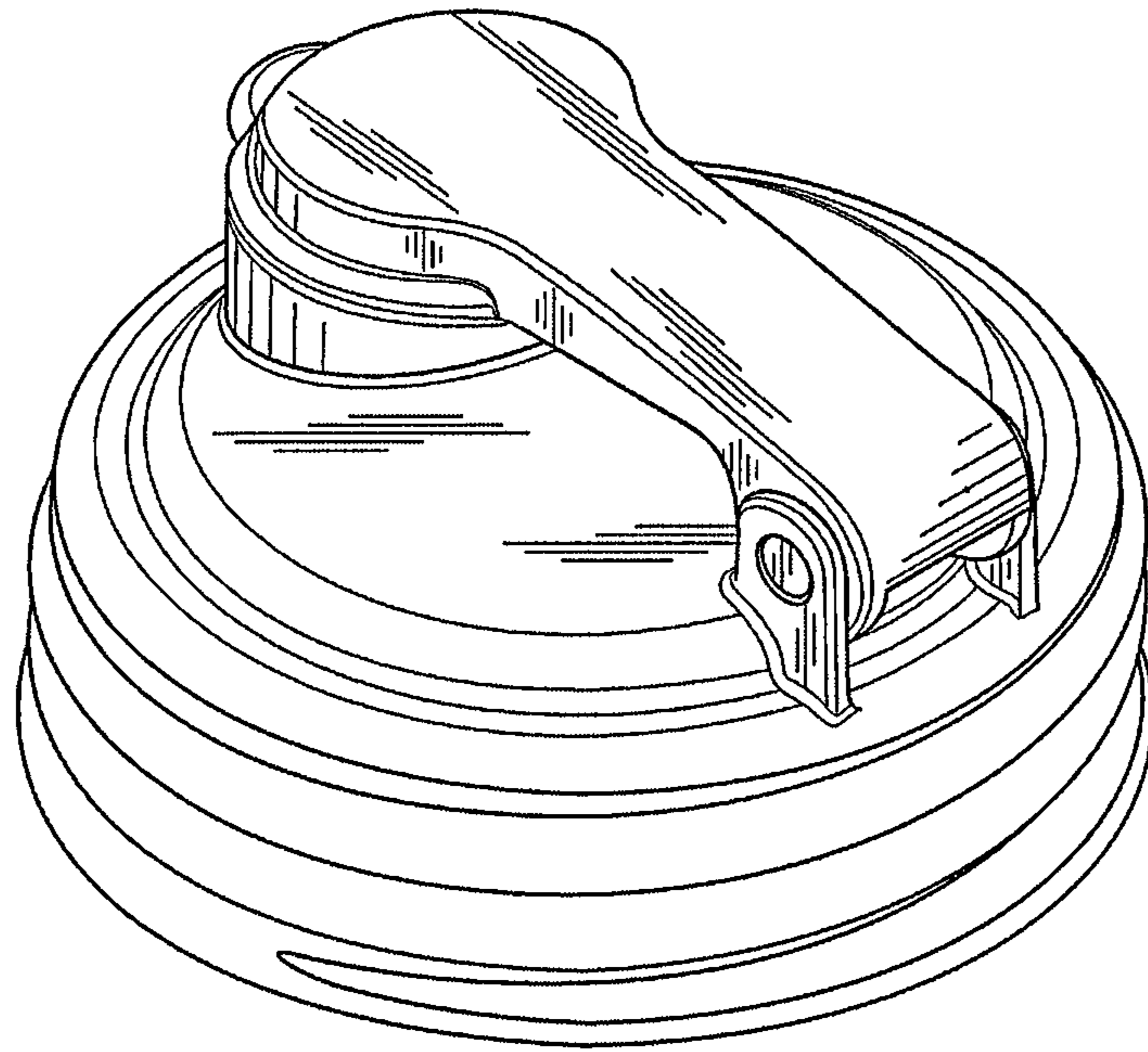
**1 Claim, 5 Drawing Sheets**

(56) **References Cited**

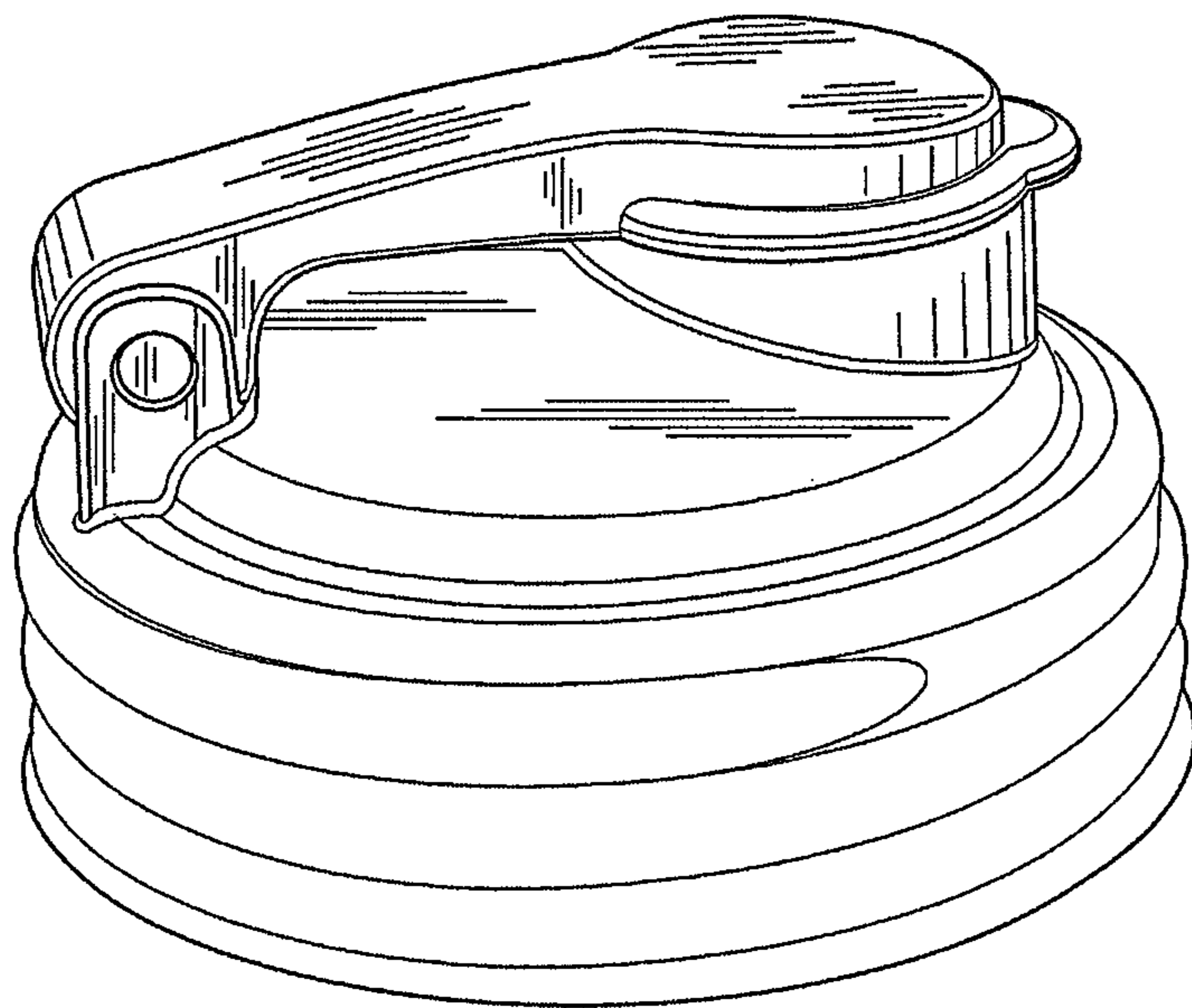
U.S. PATENT DOCUMENTS

|              |         |                  |       |          |
|--------------|---------|------------------|-------|----------|
| D113,305 S * | 2/1939  | Bloomfield       | ..... | D7/392   |
| D409,043 S * | 5/1999  | Lillelund et al. | ..... | D7/392   |
| D417,583 S * | 12/1999 | Demore           | ..... | D7/392.1 |
| D421,547 S * | 3/2000  | Demers           | ..... | D7/510   |
| D482,936 S * | 12/2003 | Miller et al.    | ..... | D7/629   |
| D532,650 S * | 11/2006 | de Groote        | ..... | D7/392   |
| D552,929 S * | 10/2007 | de Groote        | ..... | D7/510   |
| D628,483 S * | 12/2010 | McKinney et al.  | ..... | D9/449   |
| D644,065 S * | 8/2011  | Llerena          | ..... | D7/510   |

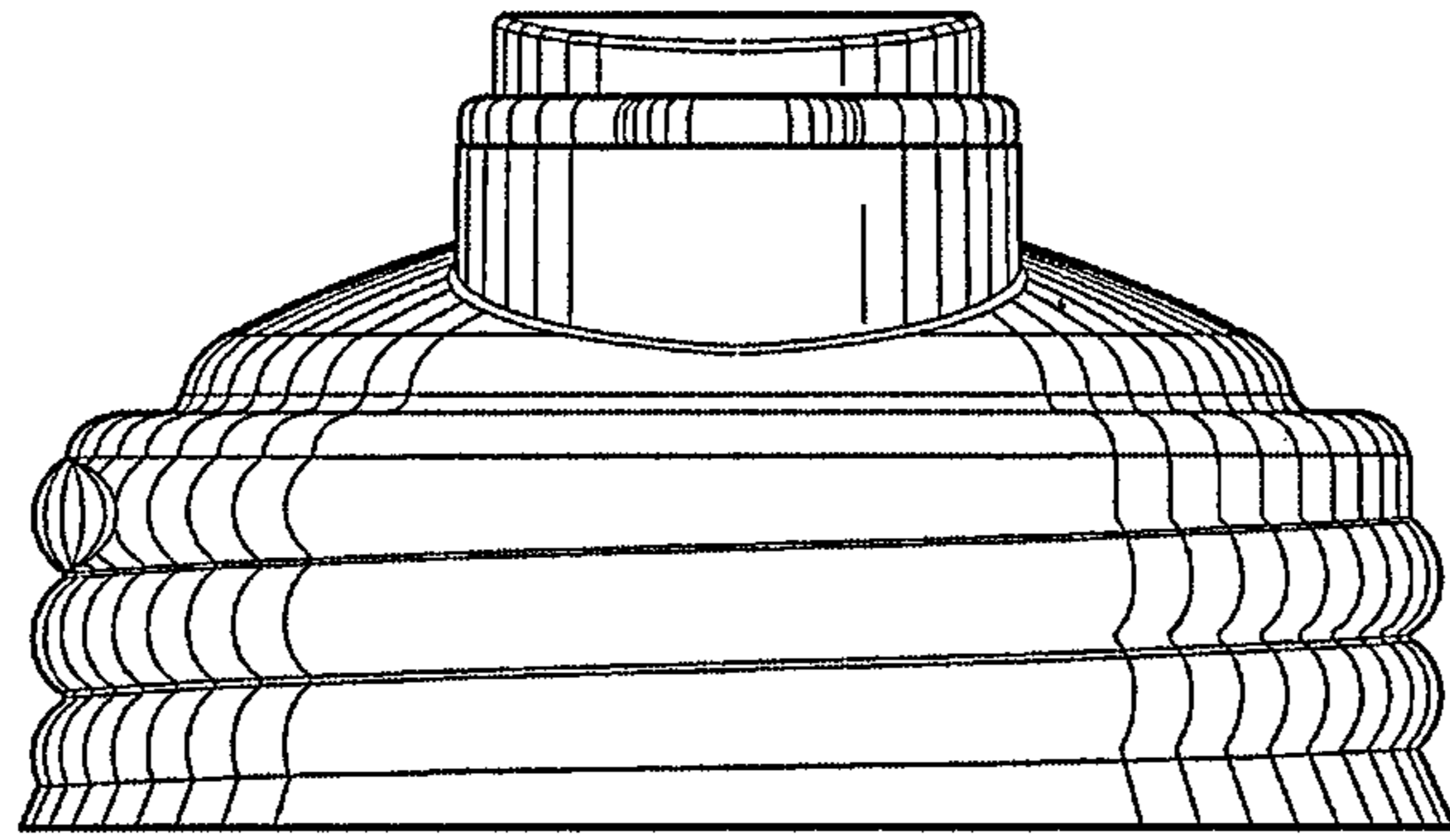




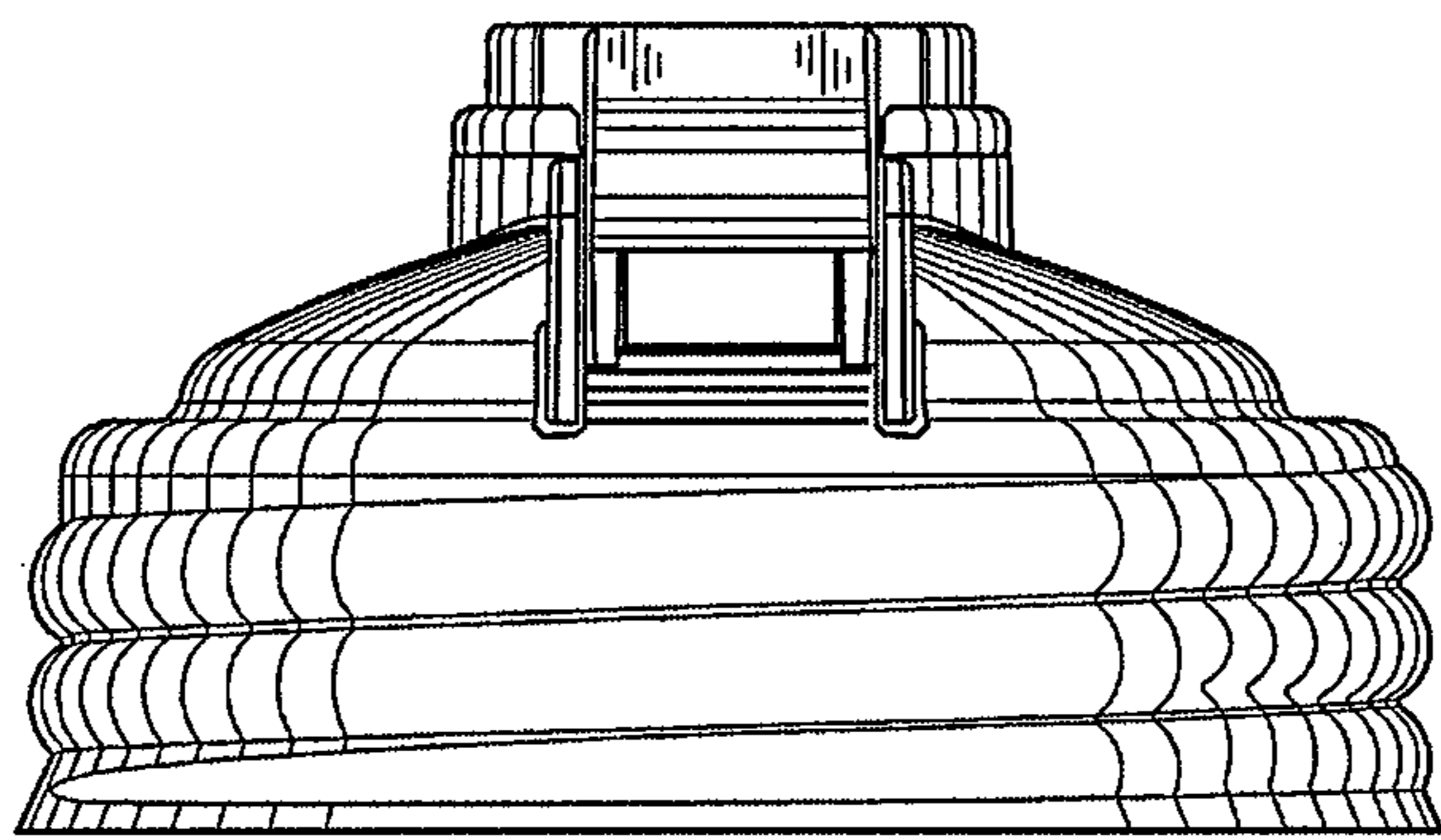
*Fig. 1*



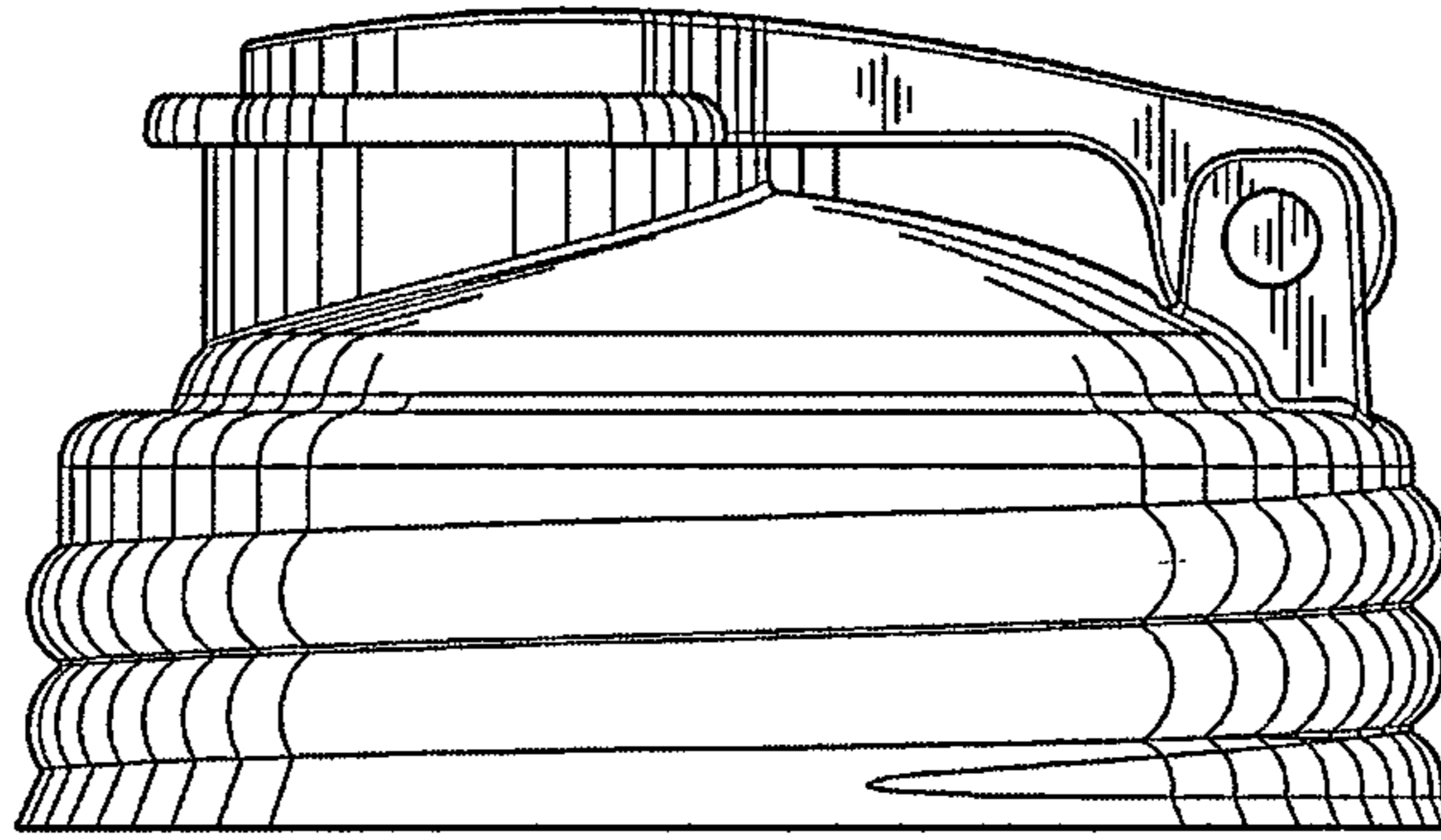
*Fig. 2*



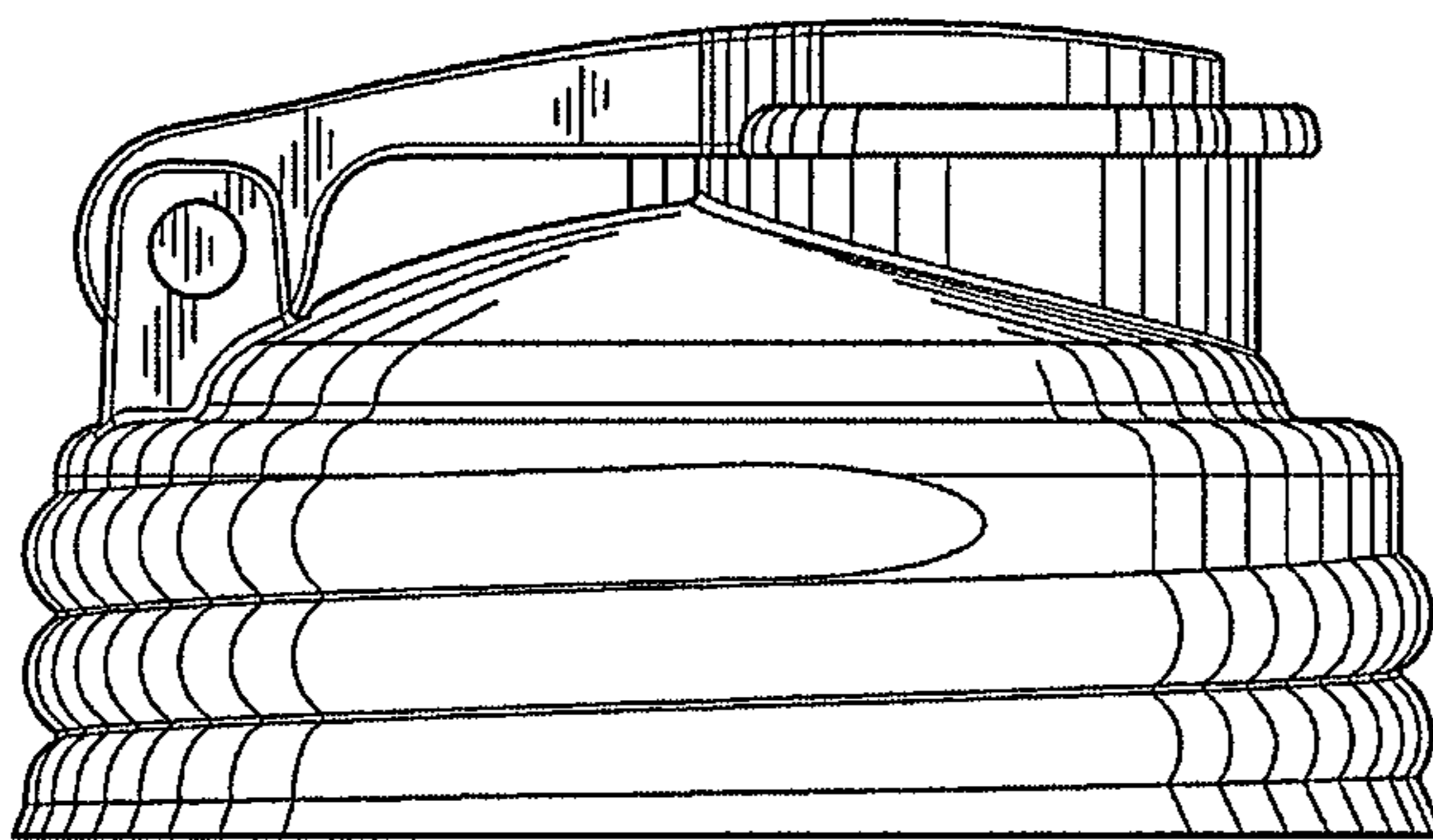
*Fig.3*



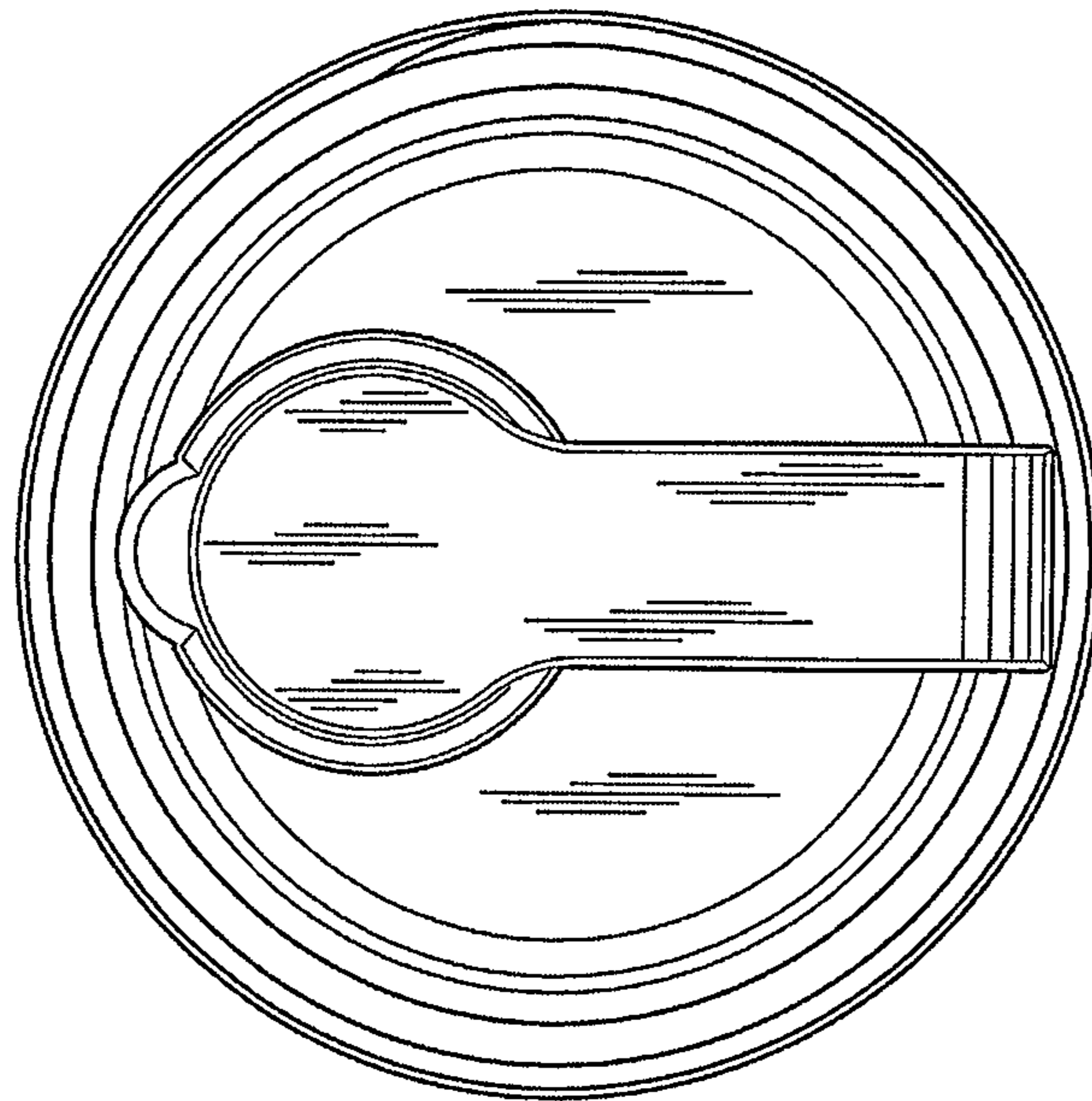
*Fig.4*



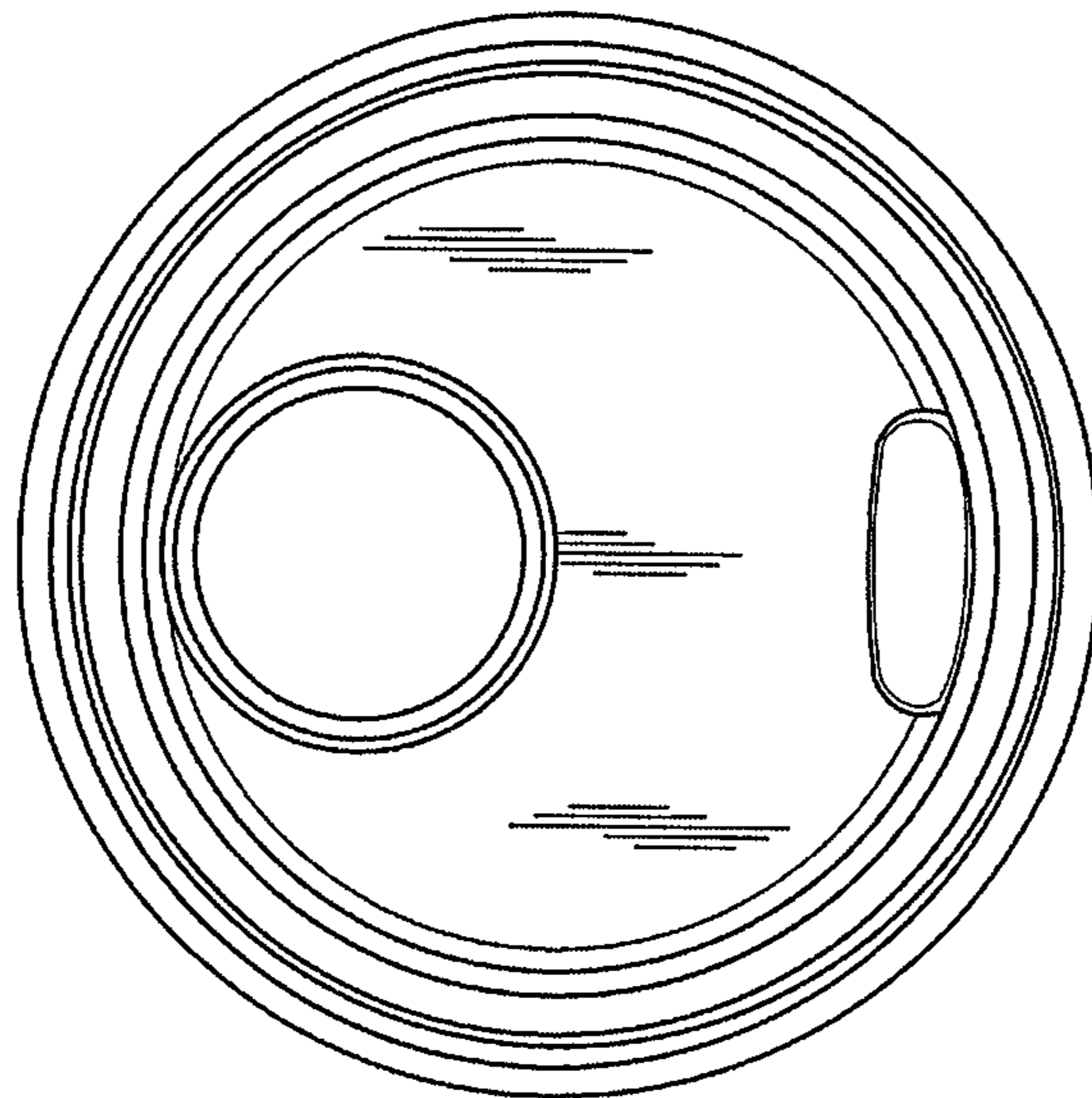
*Fig. 5*



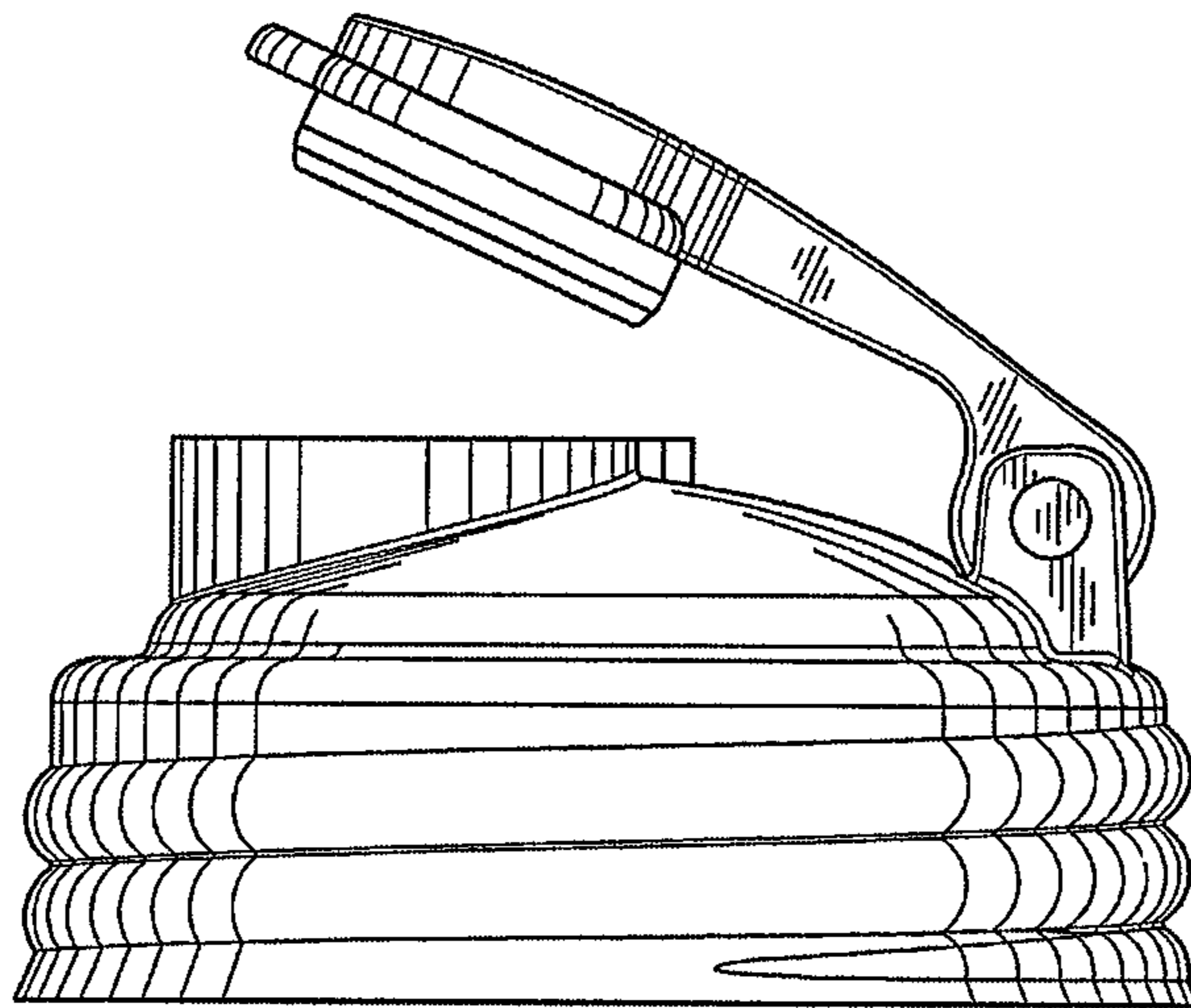
*Fig. 6*



*Fig. 7*



*Fig. 8*



*Fig. 9*