



US00D682609S

(12) **United States Design Patent**
Lindsay et al.

(10) **Patent No.:** **US D682,609 S**
(45) **Date of Patent:** **** May 21, 2013**

- (54) **LID ASSEMBLY WITH UTENSILS**
- (75) Inventors: **Brendan Jon Lindsay**, Auckland (NZ);
James Richard Manley, Auckland (NZ)
- (73) Assignee: **Sistema Plastics Limited**, Auckland
(NZ)
- (**) Term: **14 Years**
- (21) Appl. No.: **29/371,389**
- (22) Filed: **Jan. 31, 2011**

- (30) **Foreign Application Priority Data**
Jul. 30, 2010 (NZ) 413884
- (51) **LOC (9) Cl.** **07-02**
- (52) **U.S. Cl.**
USPC **D7/392.1**
- (58) **Field of Classification Search** D7/391,
D7/392, 392.1, 505, 538, 629; D9/425, 434,
D9/436, 715-717; 206/221, 223, 542; 220/212,
220/254.3, 282, 324, 326, 369, 521, 524,
220/526, 574, 784, 780, 788, 792, 793; 215/228
See application file for complete search history.

- (56) **References Cited**
U.S. PATENT DOCUMENTS
1,425,456 A * 8/1922 Dial 215/228
2,870,932 A 1/1959 Davis
D191,387 S * 9/1961 Hansen D9/436
3,624,787 A * 11/1971 Newman 220/212
3,955,742 A * 5/1976 Marshall et al. 220/574
4,244,612 A 1/1981 Schurman
4,412,616 A 11/1983 Williams
4,412,630 A 11/1983 Daenen
4,494,674 A 1/1985 Roof
4,522,312 A 6/1985 Rathgeber
4,807,776 A 2/1989 Cortopassi

- 4,835,864 A 6/1989 Tang
- 4,976,370 A 12/1990 Cassel
- 5,027,972 A 7/1991 Bartholomew
- 5,090,572 A 2/1992 DeRoseau
- 5,174,452 A 12/1992 Wang
- 5,181,626 A 1/1993 Daenen
- 5,277,329 A 1/1994 Pomroy
- 5,305,544 A 4/1994 Testa, Jr.
- 5,323,926 A 6/1994 Pomroy
- 5,337,911 A 8/1994 Holub
- 5,443,174 A * 8/1995 Bauer 220/212
- D376,512 S 12/1996 Klemme
- 5,695,084 A * 12/1997 Chmela et al. 220/212
- 5,705,212 A * 1/1998 Atkinson 426/115
- 5,931,332 A 8/1999 Mygatt
- 5,950,834 A 9/1999 Woodnorth

(Continued)

FOREIGN PATENT DOCUMENTS

- GB 2 218 962 11/1989
- GB 2 215 186 9/1999

(Continued)

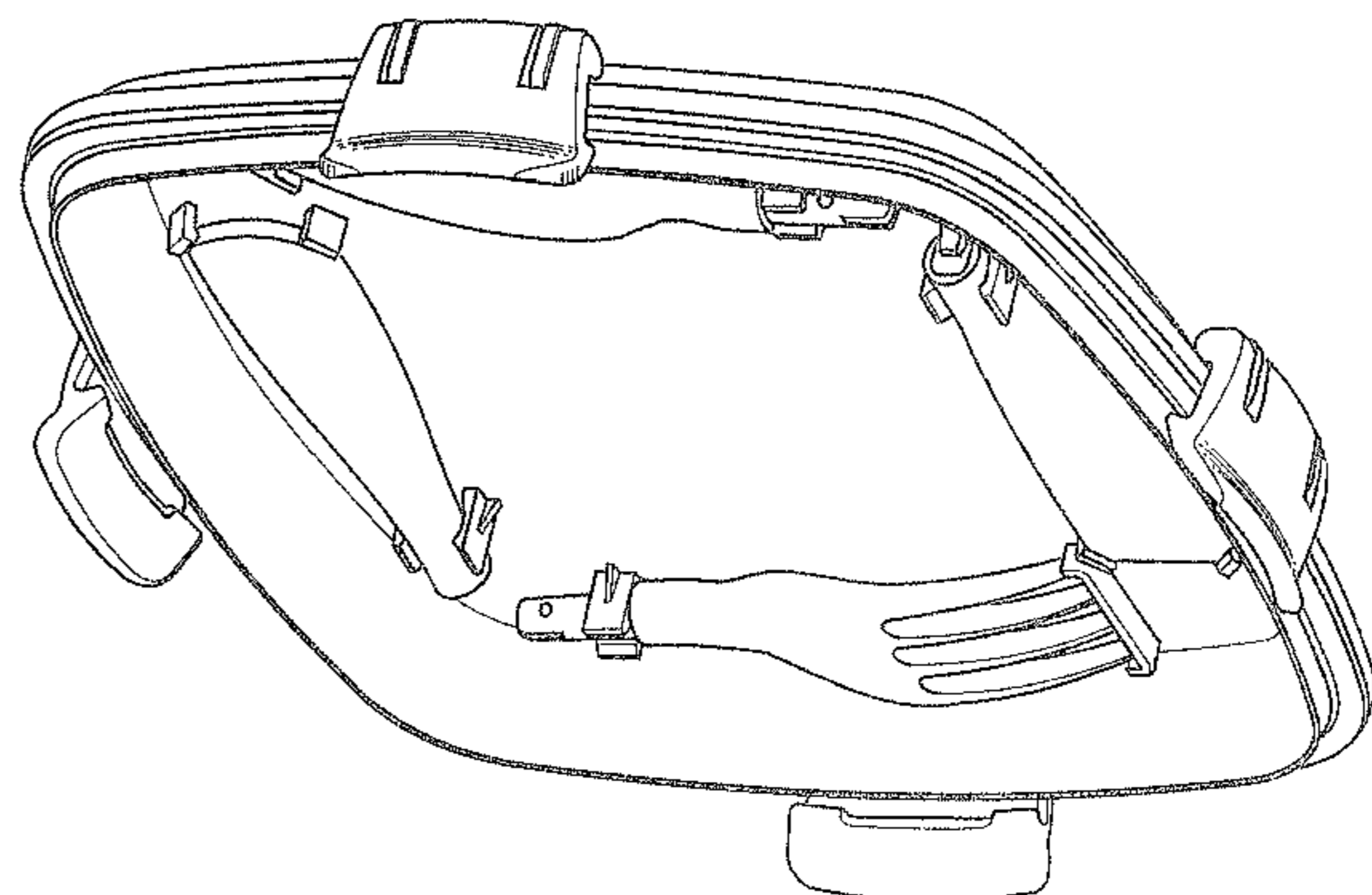
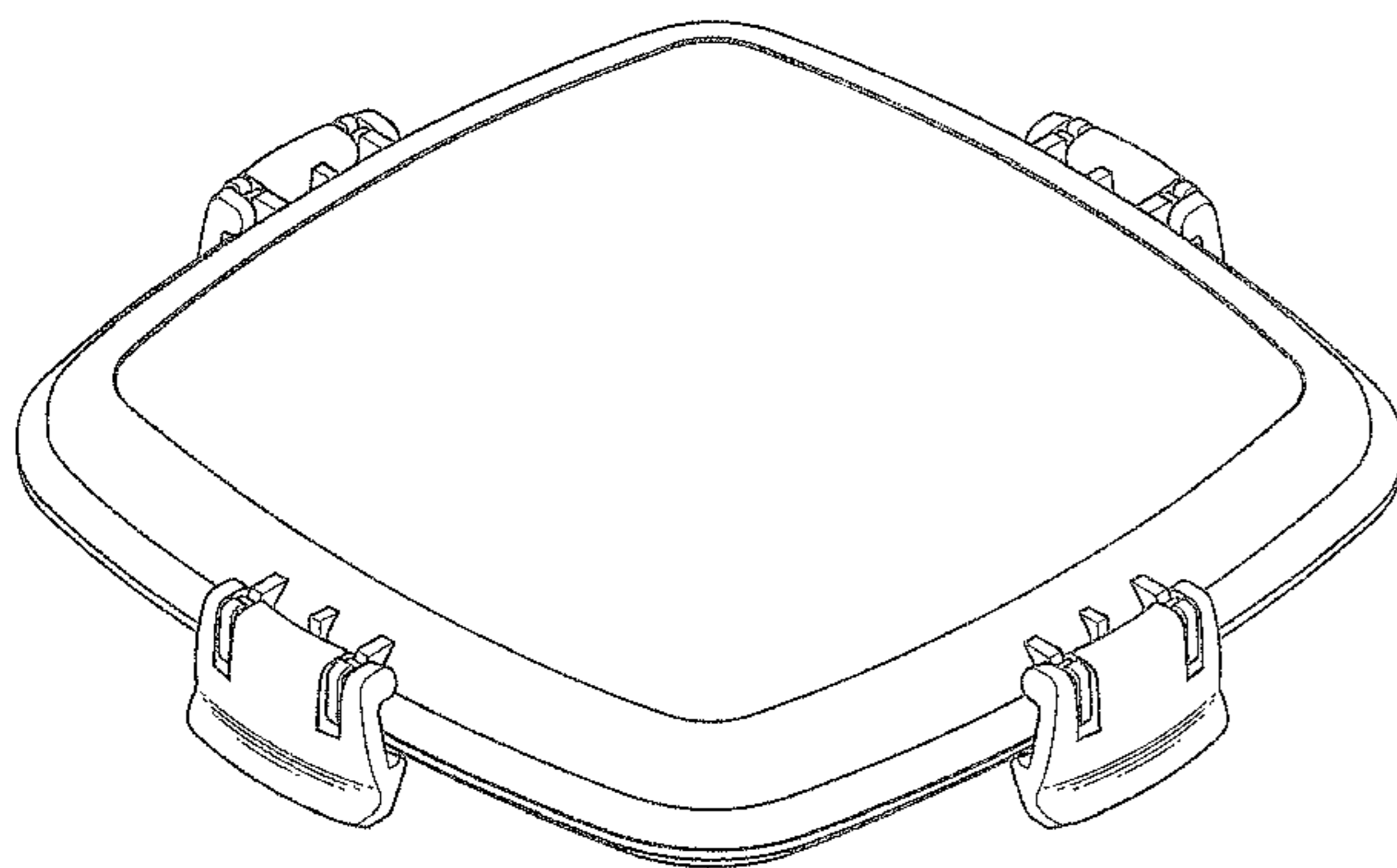
Primary Examiner — Susan E Krakower
(74) *Attorney, Agent, or Firm* — Jacobson Holman PLLC

(57) **CLAIM**
The ornamental design for the lid assembly with utensils, as shown and described.

DESCRIPTION

FIG. 1 is a top perspective view of lid assembly with utensils embodying our new design;
FIG. 2 is a top plan view of FIG. 1;
FIG. 3 is an enlarged side elevation view of FIG. 1, the other three sides being identical;
FIG. 4 is a bottom perspective view of FIG. 1;
FIG. 5 is an enlarged bottom perspective view from a different angle of FIG. 1; and,
FIG. 6 is a bottom plan view of FIG. 1.

1 Claim, 6 Drawing Sheets



US D682,609 S

Page 2

U.S. PATENT DOCUMENTS

D416,438 S * 11/1999 Molo D7/392
5,975,334 A 11/1999 Mayo
5,992,086 A 11/1999 Cheng
6,116,450 A * 9/2000 Huang 220/212
6,170,696 B1 1/2001 Tucker
6,216,675 B1 4/2001 Bennett
6,302,268 B1 10/2001 Michaeli
6,415,947 B1 7/2002 Kim
6,604,645 B1 * 8/2003 Vaupotic 220/212
6,604,646 B2 * 8/2003 Torniainen et al. 220/212
D481,910 S 11/2003 Kim
D488,031 S 4/2004 Kim
D493,073 S 7/2004 Kim
6,789,692 B2 9/2004 Prezelin
6,793,096 B1 9/2004 Seok
D499,931 S * 12/2004 Kim D7/392.1
D500,227 S * 12/2004 Seok D7/392.1
D502,843 S * 3/2005 Tollman D7/505
D505,839 S 6/2005 Stanos
D510,503 S * 10/2005 Tollman D7/505
6,955,381 B2 10/2005 Parker
7,090,089 B2 8/2006 Lown
D528,357 S * 9/2006 Hsu D7/392.1
7,114,617 B2 10/2006 Yewdall
D544,762 S 6/2007 Zimmerman
D562,083 S 2/2008 Lown
D562,680 S * 2/2008 Vrhovski D9/436
D563,167 S * 3/2008 Snedden et al. D7/505

D574,189 S * 8/2008 Stamper D7/505
D575,115 S 8/2008 Zimmerman
D591,148 S 4/2009 Parikh
D595,131 S * 6/2009 Dibnah et al. D9/436
D605,469 S * 12/2009 Wingfield et al. D7/538
D606,813 S 12/2009 Kim
7,866,502 B2 1/2011 Maxwell
D646,127 S * 10/2011 Lindsay et al. D7/629
D652,265 S * 1/2012 Lindsay et al. D7/629
8,087,530 B2 * 1/2012 Stevens 220/212
2003/0010783 A1 1/2003 Prezelin
2004/0084464 A1 5/2004 Koo
2005/0006390 A1 1/2005 Wang
2005/0035125 A1 2/2005 Bae
2007/0029215 A1 2/2007 Martinez
2007/0065545 A1 3/2007 Vovan
2007/0092608 A1 4/2007 Palamara
2008/0197134 A1 8/2008 Maxwell
2008/0200396 A1 8/2008 Hocquaux
2009/0321462 A1 12/2009 Hui

FOREIGN PATENT DOCUMENTS

GB 2 376 456 12/2002
GB 2 379 436 3/2003
NZ 531001 6/2003
NZ 564245 1/2011
WO 02/059007 8/2002
WO 2006/065151 6/2006

* cited by examiner

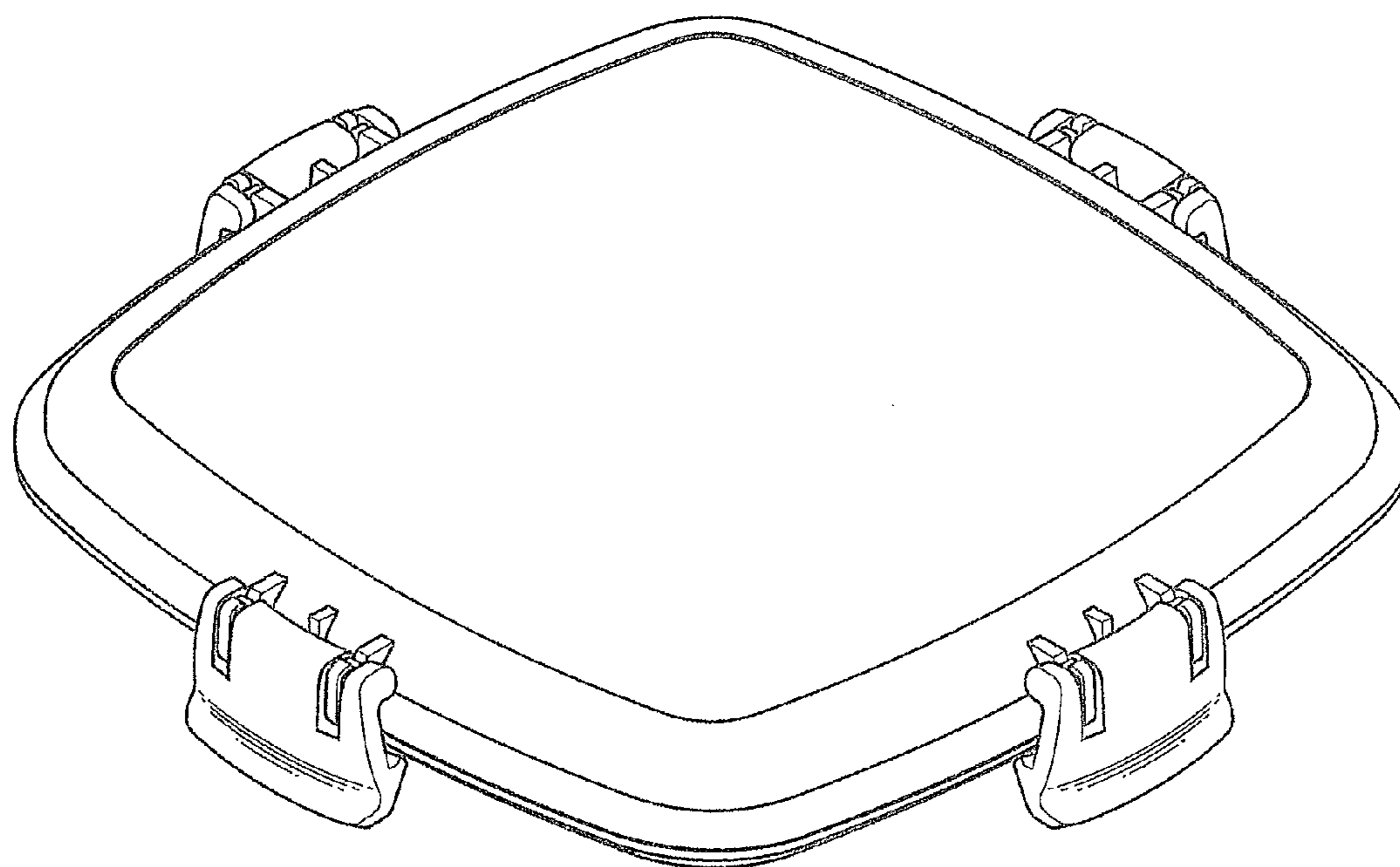


FIG.1

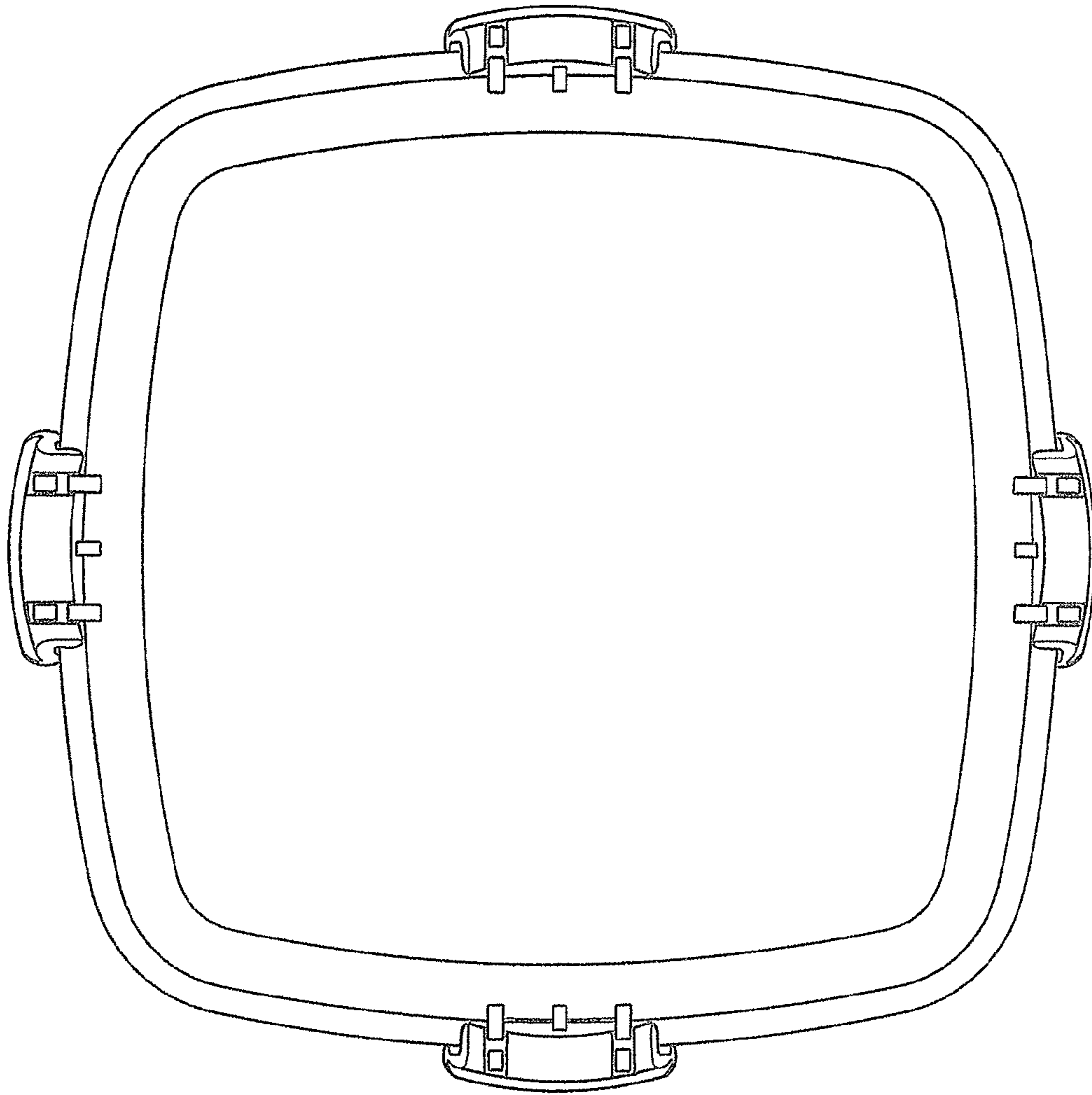


FIG. 2

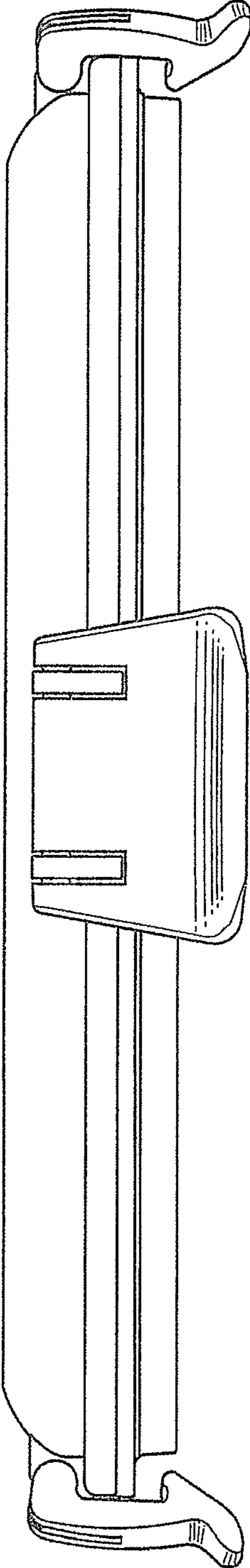


FIG. 3

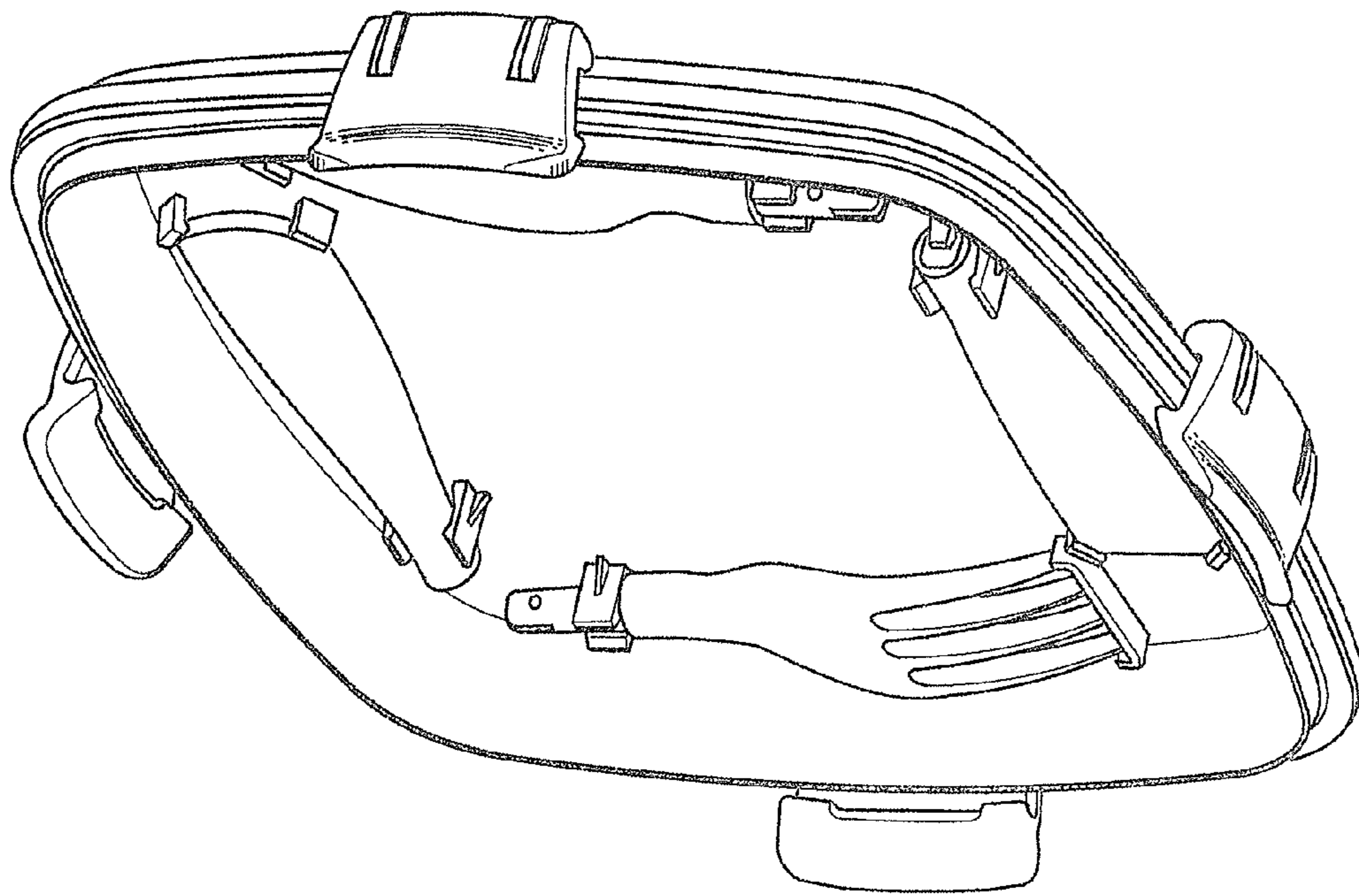


FIG.4

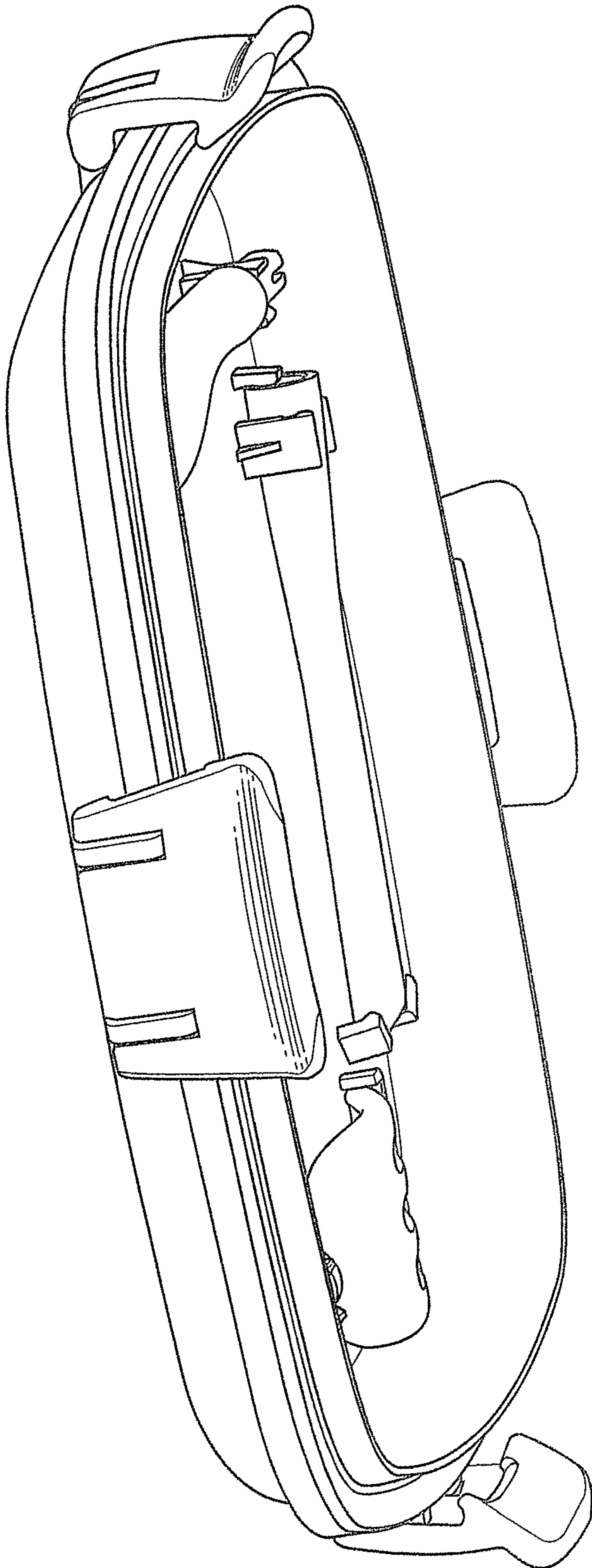


FIG. 5

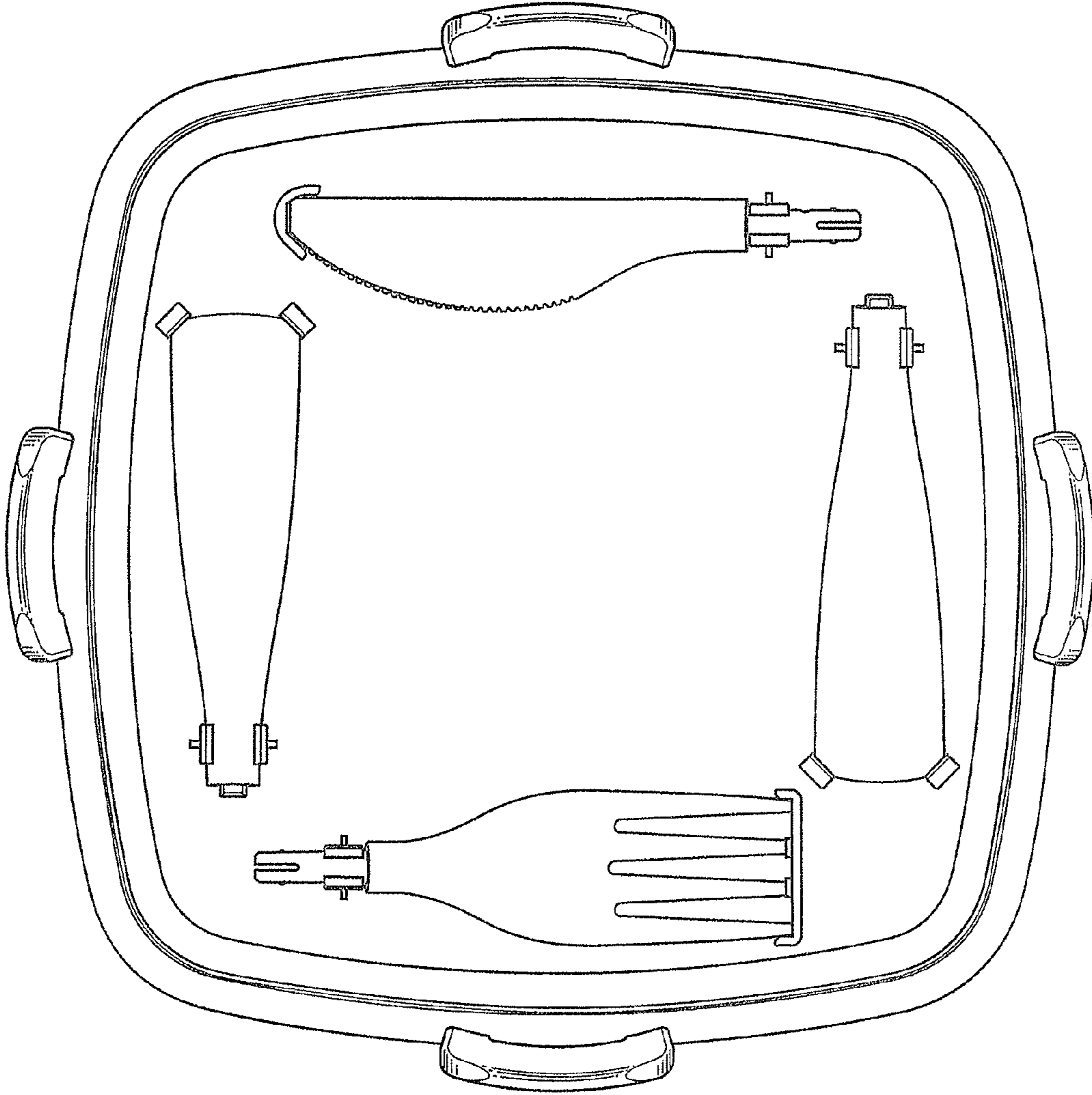


FIG.6