



US00D682608S

(12) **United States Design Patent**
Audette

(10) **Patent No.:** **US D682,608 S**
(45) **Date of Patent:** **** May 21, 2013**

(54) **LID**
(75) **Inventor:** **David M. Audette, Webster, MA (US)**
(73) **Assignee:** **Euro-Pro Operating LLC, Newton, MA (US)**
(**) **Term:** **14 Years**
(21) **Appl. No.:** **29/402,652**
(22) **Filed:** **Sep. 26, 2011**
(51) **LOC (9) Cl.** **07-02**
(52) **U.S. Cl.**
USPC **D7/392**
(58) **Field of Classification Search**
USPC **D7/368, 391, 392, 392.1, 396.2,**
D7/538, 585, 586, 591, 629; D9/424, 425,
D9/434, 435, 440, 443, 447, 449, 454; 222/480,
222/507, 546, 548, 553, 565; 220/210, 212.5,
220/253, 254.3, 703, 709, 711, 717, 783,
220/780, 788, 792, 793
See application file for complete search history.

5,738,236 A 4/1998 Brun, Jr.
6,158,155 A 12/2000 Boney
D459,940 S 7/2002 Stoll et al.
6,783,019 B2 8/2004 Zettle et al.
D527,219 S 8/2006 Trombly
D530,610 S * 10/2006 Samz et al. D9/447
D532,298 S 11/2006 Vogel
D533,777 S * 12/2006 Hundley et al. D9/447
7,318,536 B2 1/2008 Maravich et al.
D582,271 S * 12/2008 Vogel D9/447
D588,872 S 3/2009 Gospodarski
7,594,584 B2 9/2009 Durdon et al.
7,721,911 B2 5/2010 Chou
D636,634 S 4/2011 Kemper et al.
8,066,158 B2 * 11/2011 Vogel et al. 222/480
D657,671 S * 4/2012 O'Brien D9/447

* cited by examiner

Primary Examiner — Susan E Krakower
(74) *Attorney, Agent, or Firm* — Iandiorio Teska & Coleman, LLP

(57) **CLAIM**
The ornamental design of a lid, as shown and described.

DESCRIPTION

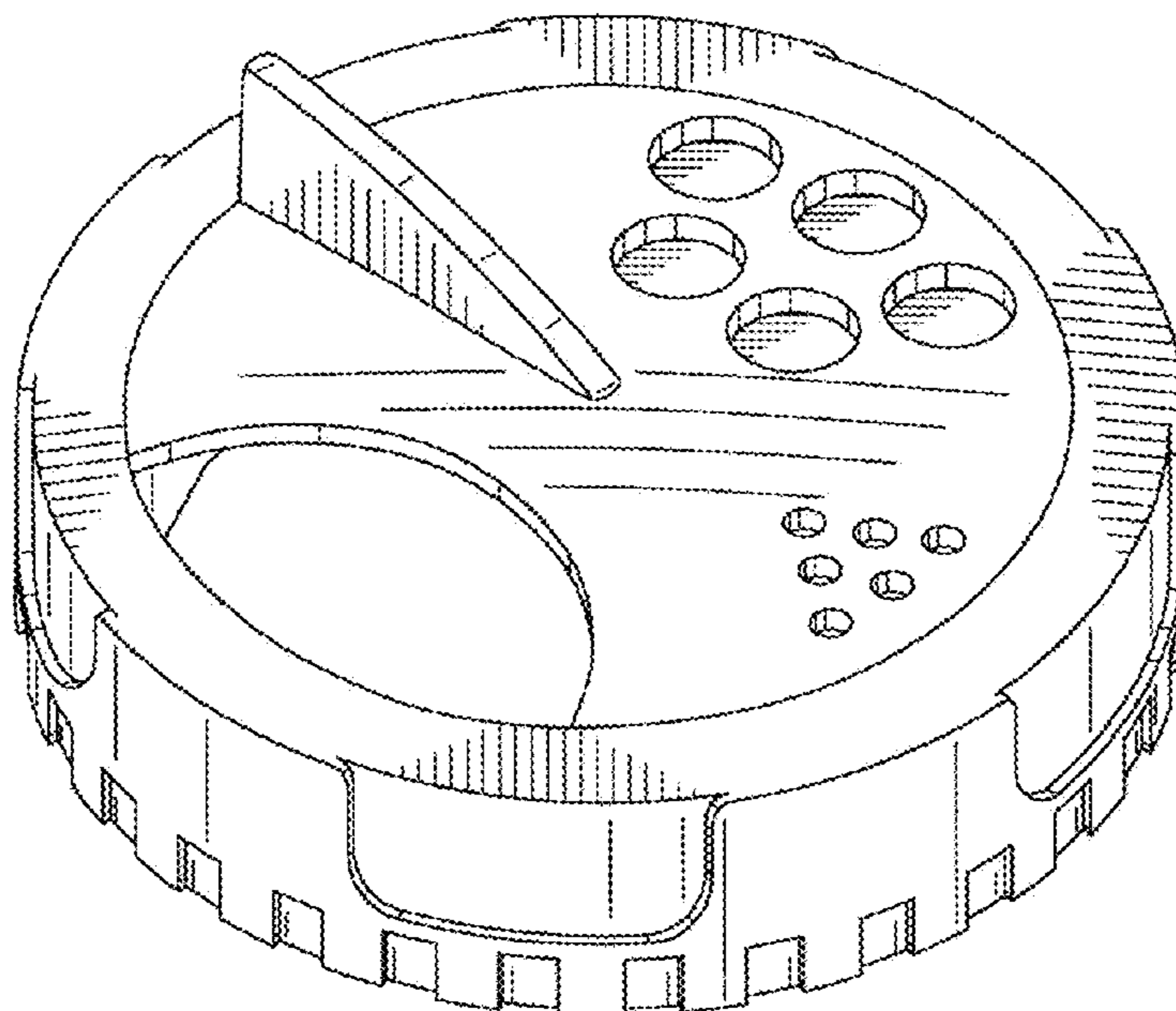
FIG. 1 is a perspective view of a lid in accordance with the present design;
FIG. 2 is a front elevational view thereof;
FIG. 3 is a rear elevational view thereof;
FIG. 4 is a left side elevational view thereof;
FIG. 5 is a right side elevational view thereof;
FIG. 6 is a top plan view thereof; and,
FIG. 7 is a bottom plan view thereof.
The broken lines illustrate portions of the lid which form no part of the claimed design.

(56) **References Cited**

U.S. PATENT DOCUMENTS

2,029,219 A * 1/1936 Bourland 222/480
2,108,063 A * 2/1938 Hothersall 222/507
3,100,589 A * 8/1963 Love, Jr 222/480
D254,482 S * 3/1980 Bell D9/435
D291,536 S * 8/1987 Crawford et al. D9/440
4,693,399 A * 9/1987 Hickman et al. 222/480
D306,830 S * 3/1990 DeCoster D9/435
D318,778 S 8/1991 Fiore et al.
5,072,849 A 12/1991 Blau
D339,065 S * 9/1993 Forsyth et al. D9/447
D352,899 S 11/1994 Molo
D372,866 S 8/1996 Ahern, Jr.

1 Claim, 3 Drawing Sheets



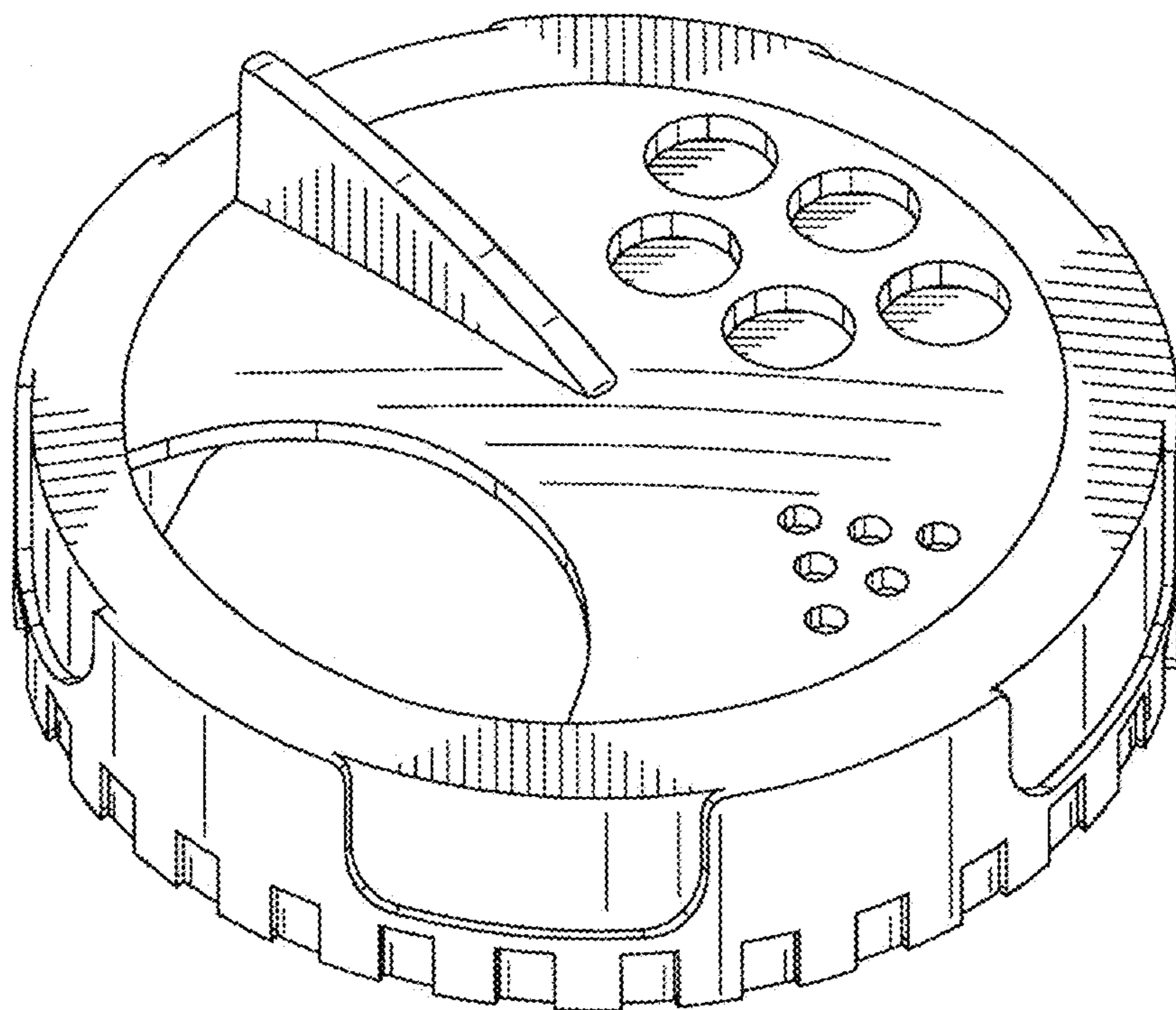


FIG. 1

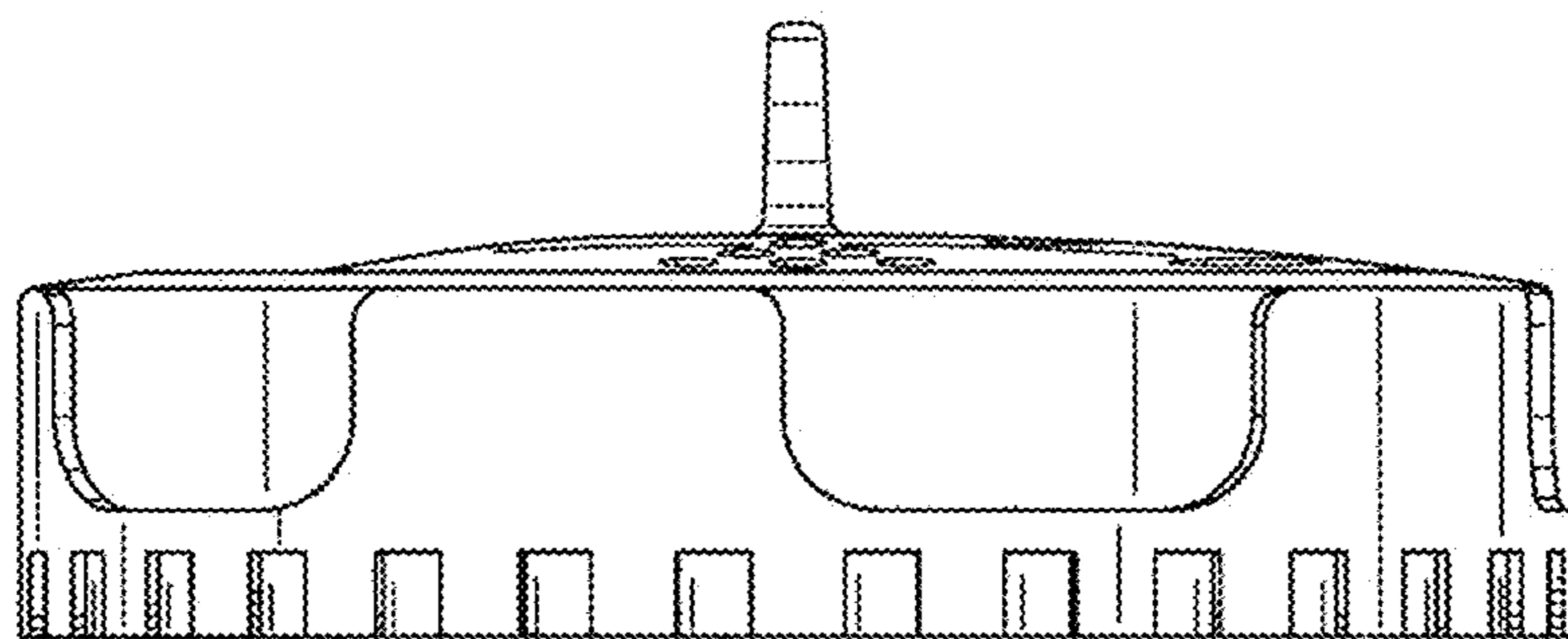


FIG. 2

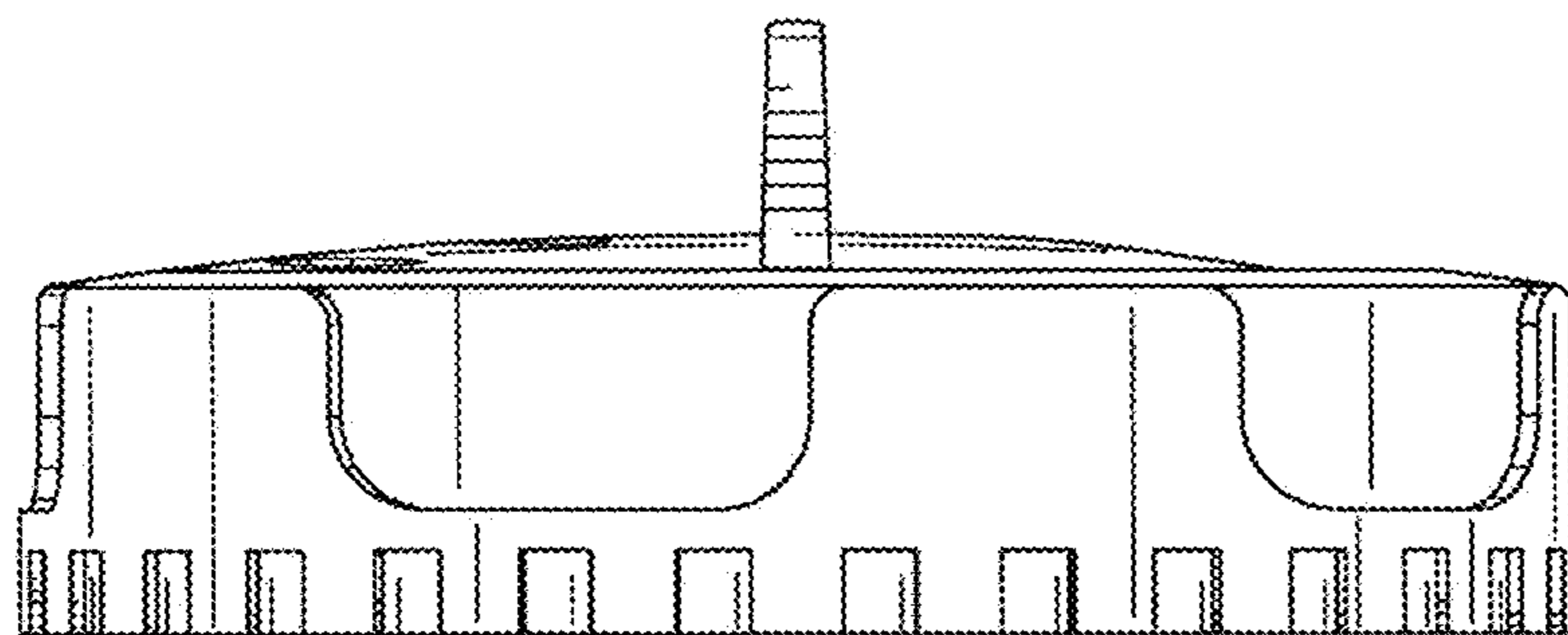


FIG. 3

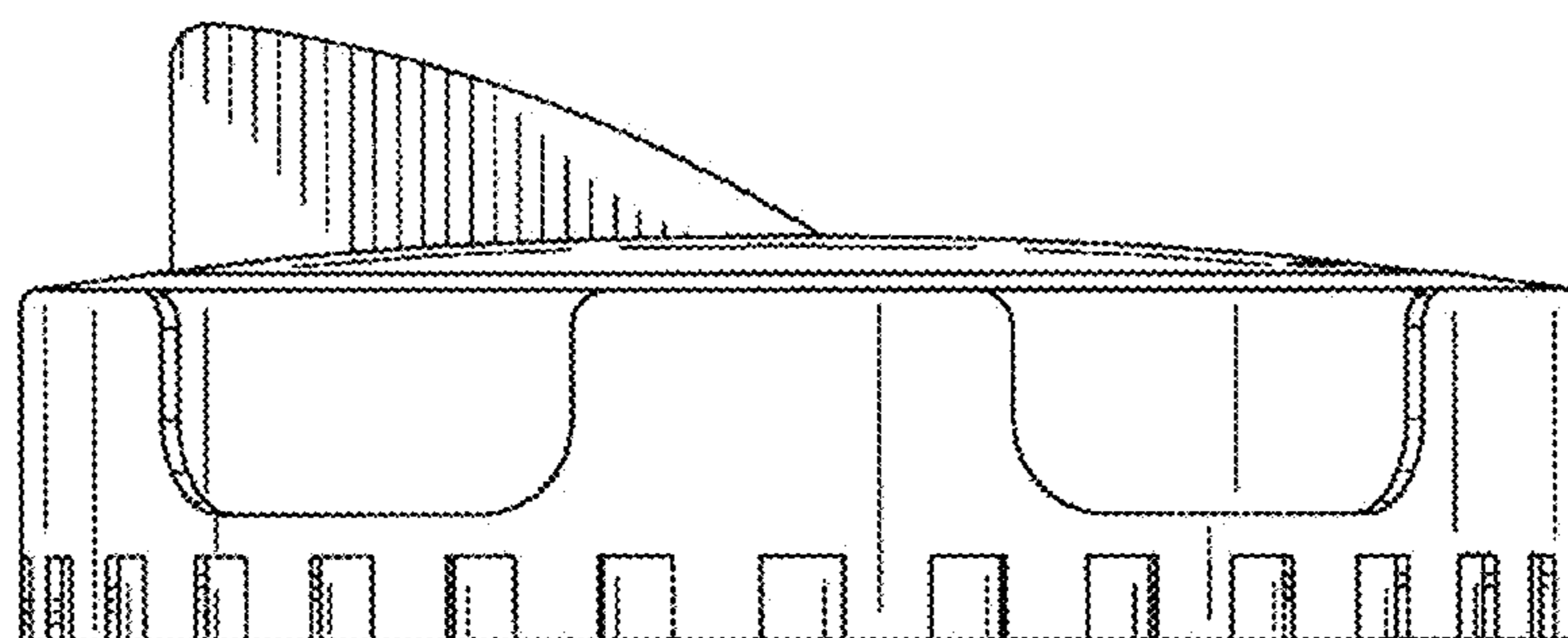


FIG. 4

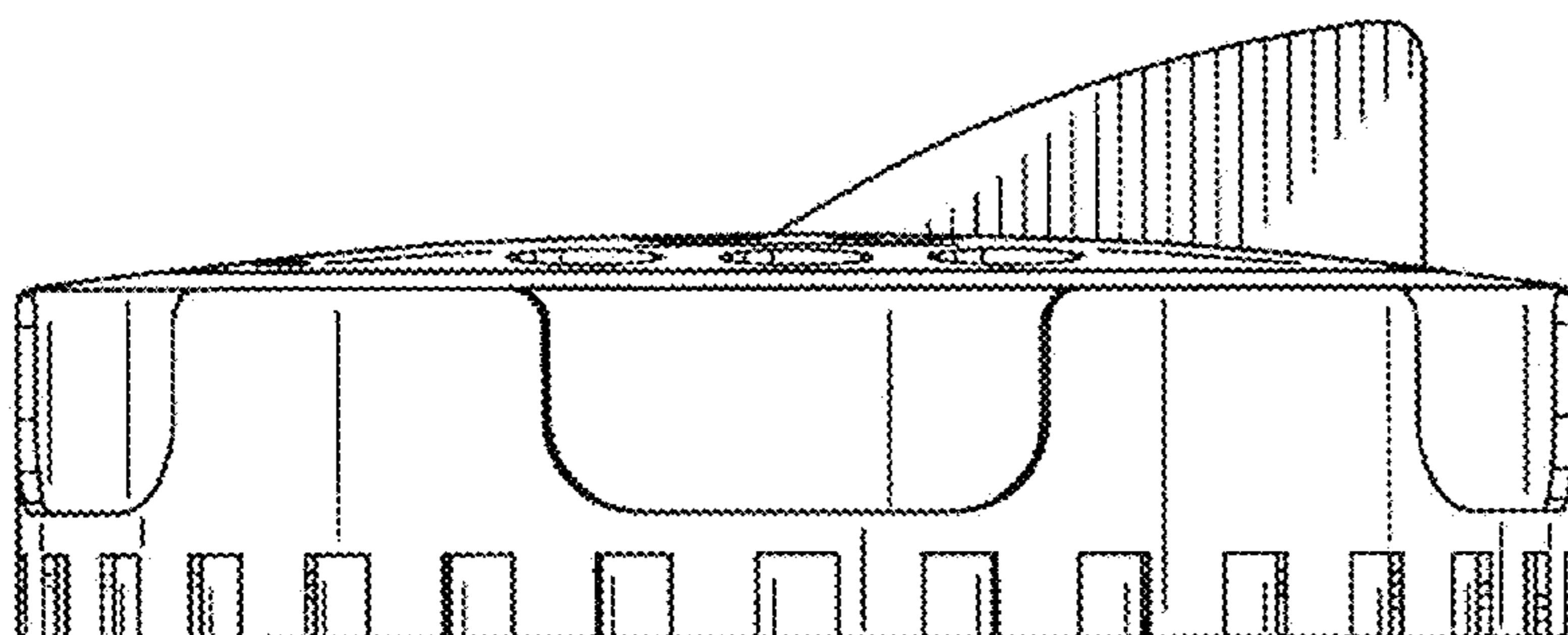


FIG. 5

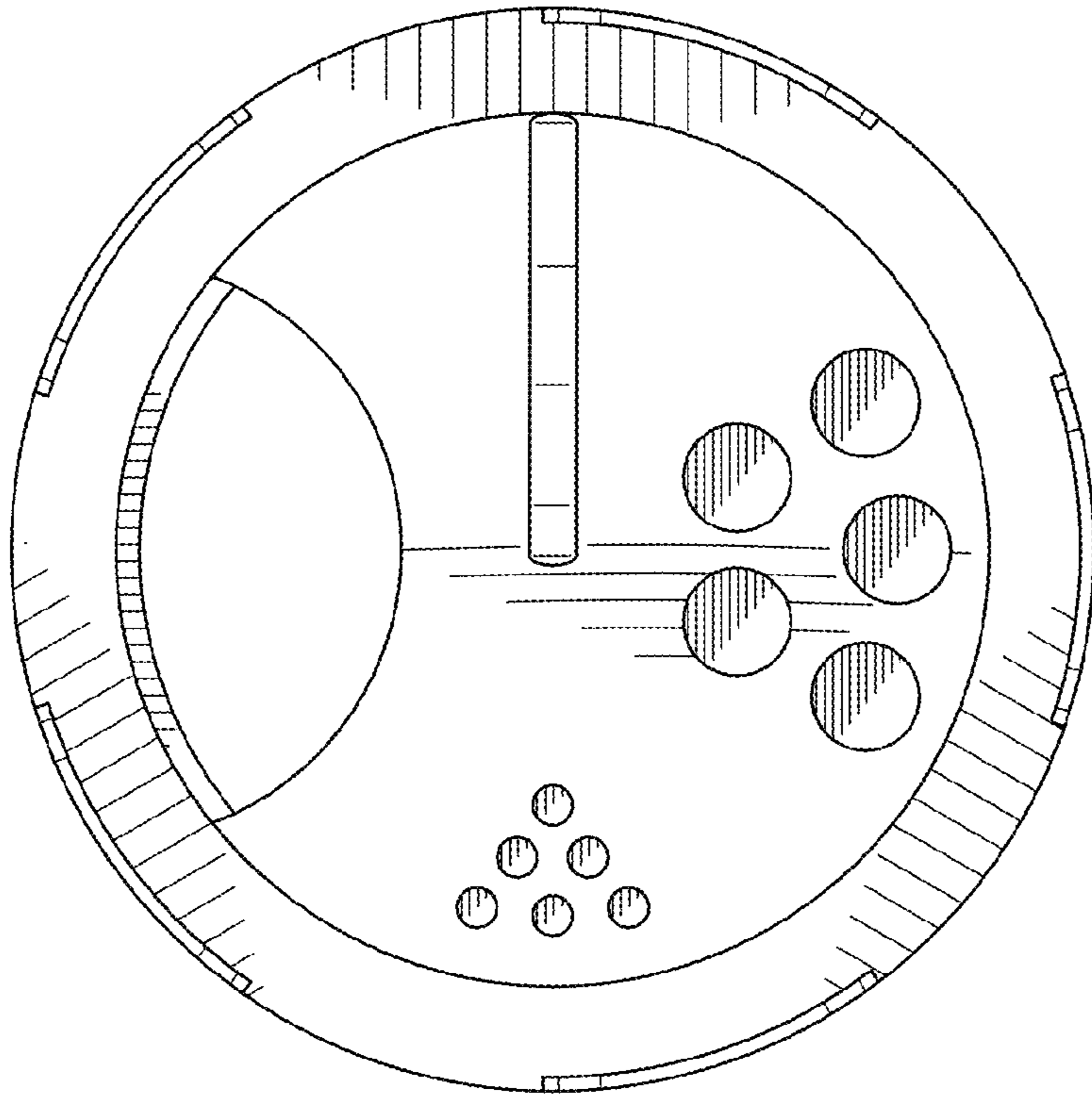


FIG. 6

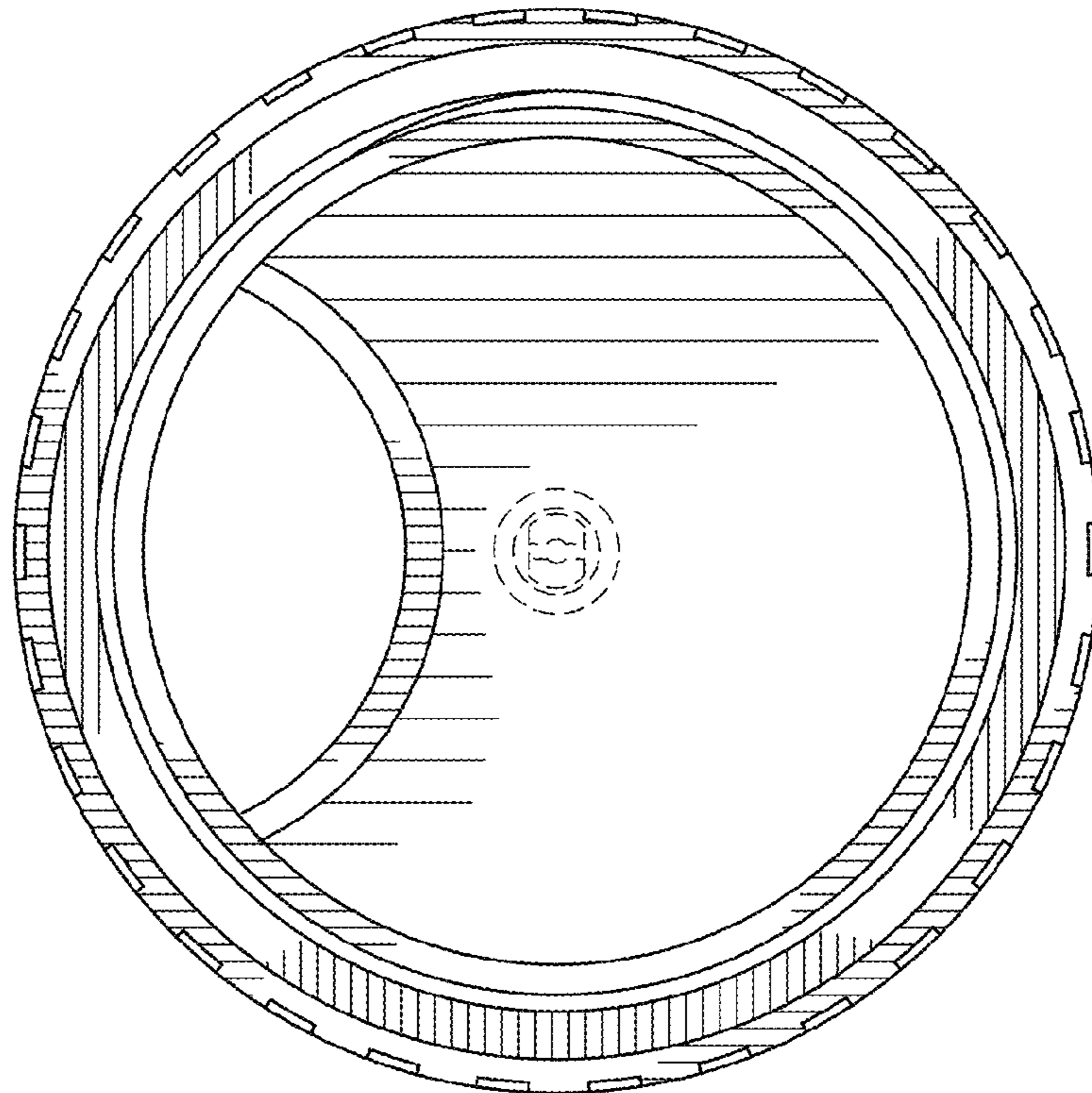


FIG. 7