



US00D682606S

(12) **United States Design Patent**
Machovina et al.

(10) **Patent No.:** **US D682,606 S**

(45) **Date of Patent:** **** May 21, 2013**

(54) **FOOD BASED HOMOGENIZER**

(56) **References Cited**

- (71) Applicant: **Healthy Foods, LLC**, Cleveland, OH (US)
- (72) Inventors: **Brian Louis Machovina**, Coral Gables, FL (US); **Robert Johnson**, Montville, OH (US); **Robert Schmidt**, Painesville, OH (US); **Winston Breeden**, Chagrin Falls, OH (US); **Douglas Edward Whitner**, Chagrin Falls, OH (US); **Eileen McHale**, Coral Gables, FL (US)
- (73) Assignee: **Healthy Foods, LLC**, Cleveland, OH (US)

- U.S. PATENT DOCUMENTS
- | | | |
|-------------|--------|-------------|
| 1,727,410 A | 9/1929 | Poesse |
| 2,228,025 A | 1/1941 | Apfelbeck |
| 2,649,317 A | 8/1953 | Leuze |
| 2,840,130 A | 6/1958 | Schwarz |
| 3,249,310 A | 5/1966 | Willems |
| 3,514,079 A | 5/1970 | Little, Jr. |
| 3,933,317 A | 1/1976 | Rovere |

(Continued)

FOREIGN PATENT DOCUMENTS

- | | | |
|----|------------|---------|
| EP | 1475024 A1 | 11/2004 |
| KR | 100433172 | 5/2004 |

OTHER PUBLICATIONS

International Search Report dated Mar. 20, 2012.

Primary Examiner — Ricky Pham

(74) *Attorney, Agent, or Firm* — Cooper Legal Group, LLC

- (**) Term: **14 Years**
- (21) Appl. No.: **29/441,866**
- (22) Filed: **Jan. 10, 2013**

Related U.S. Application Data

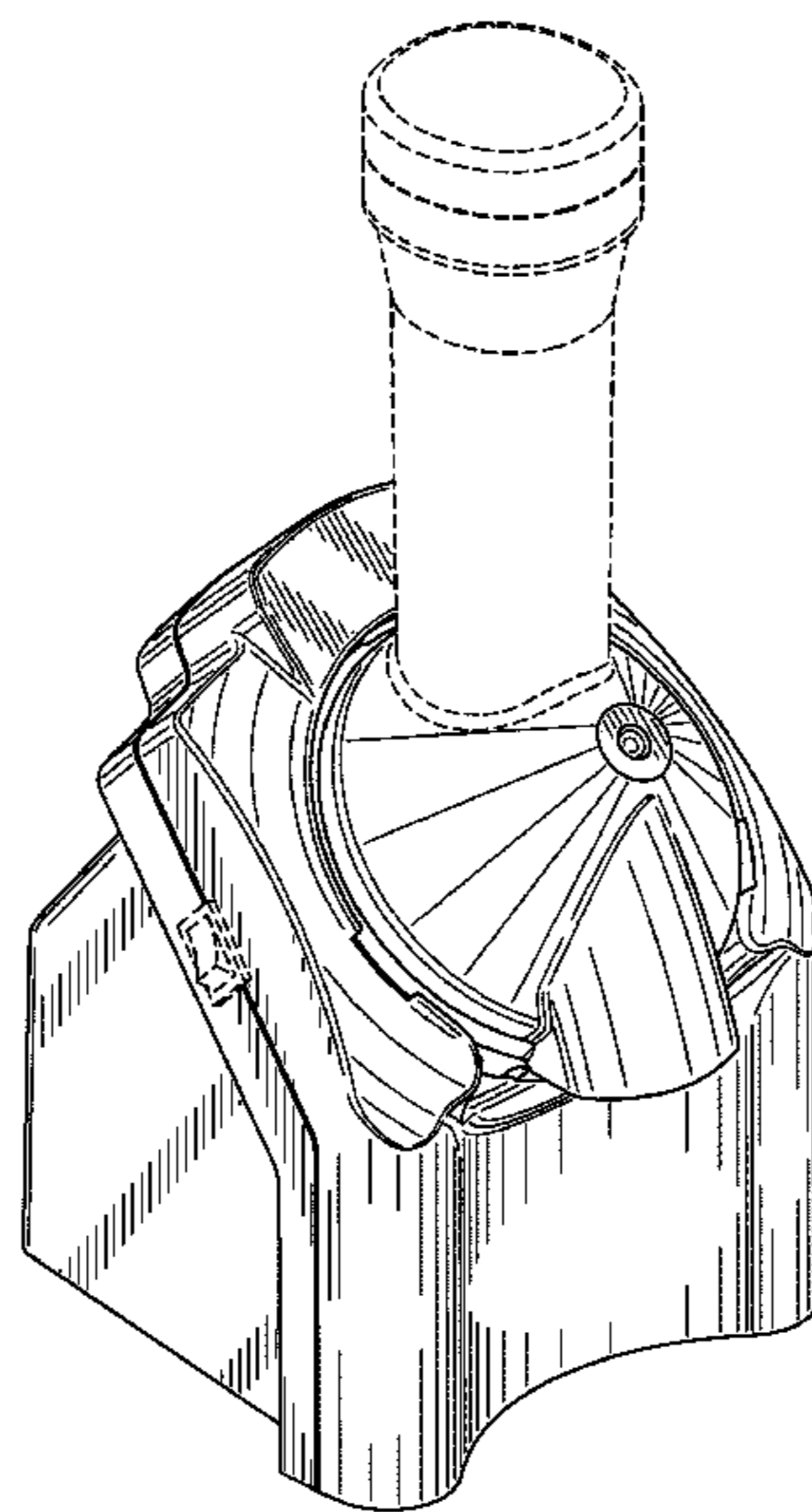
- (63) Continuation of application No. 13/108,112, filed on May 16, 2011.
- (51) **LOC (9) Cl.** **31-00**
- (52) **U.S. Cl.**
USPC **D7/377; D7/376; D7/378; D7/384**
- (58) **Field of Classification Search** D7/301–313, D7/316–319, 356–357, 368, 372–386, 391–398, D7/412–415, 503, 515, 665, 679, 691–693; 99/326, 348, 492–495, 508–512; 241/30–37.5, 241/91, 101.01–101.2, 166–169.1, 172, 272, 241/285.1–285.3, 291, 292.1; 366/64–67, 366/98, 129, 142–144, 192–211, 241–254, 366/262, 279–292, 325.8, 325.92, 341–347; 416/75–77, 70 R, 163

See application file for complete search history.

DESCRIPTION

FIG. 1 is a first perspective view of a food based homogenizer, showing the new design.
 FIG. 2 is a front-side view of thereof.
 FIG. 3 is a rear-side view thereof.
 FIG. 4 is a left-side view thereof.
 FIG. 5 is a right-side view thereof.
 FIG. 6 is a top-side view thereof.
 FIG. 7 is a bottom-side view thereof; and,
 FIG. 8 is a second perspective view thereof.
 The broken lines shown in the drawings are for illustrative purposes only and form no part of the claimed design.

1 Claim, 8 Drawing Sheets



US D682,606 S

Page 2

U.S. PATENT DOCUMENTS

3,976,001	A	8/1976	Trovinger	6,766,731	B1	7/2004	Lavi et al.
4,081,145	A	3/1978	Moe et al.	6,854,382	B2	2/2005	Jan
4,227,656	A	10/1980	Engebretsen	6,968,777	B2	11/2005	Lin
4,311,315	A	1/1982	Kronenberg	7,028,607	B2	4/2006	Zweben
4,387,860	A	6/1983	Necas et al.	7,036,758	B2	5/2006	Hamada et al.
4,700,903	A	10/1987	Henn	7,063,009	B2	6/2006	Lin
4,844,362	A	7/1989	Revnitvsev et al.	7,080,594	B2	7/2006	Lin
4,856,718	A	8/1989	Gaber et al.	D539,315	S	3/2007	Zweben
4,884,755	A	12/1989	Hedrington	7,217,028	B2	5/2007	Beesley
4,948,614	A	8/1990	Feldpausch	7,422,361	B2	9/2008	Pryor, Jr. et al.
4,955,724	A	9/1990	Otto	D593,359	S *	6/2009	Chang Chien D7/377
5,098,731	A	3/1992	Feldpausch	7,665,885	B2	2/2010	Pryor, Jr.
5,201,529	A	4/1993	Heinzen	7,690,592	B2	4/2010	Ferraby
5,233,916	A	8/1993	Butler et al.	7,861,958	B2	1/2011	Waznys et al.
5,246,175	A	9/1993	Feldpausch	7,900,860	B2	3/2011	Waznys et al.
5,297,475	A	3/1994	Borger et al.	8,091,473	B2 *	1/2012	Kim 99/510
5,355,784	A *	10/1994	Franklin et al. 99/492	8,146,490	B2 *	4/2012	Obersteiner et al. 99/510
5,368,241	A *	11/1994	Baldwin, Jr. 241/91	2001/0008258	A1	7/2001	Robordosa et al.
5,495,795	A	3/1996	Harrison et al.	2003/0154867	A1 *	8/2003	Kim 99/510
5,584,577	A	12/1996	Thies	2004/0231529	A1 *	11/2004	Jan 99/495
5,613,430	A	3/1997	Lee	2005/0207270	A1 *	9/2005	Beesley 366/205
5,675,228	A	10/1997	O'Bryan	2006/0029709	A1	2/2006	Zweben
5,680,997	A	10/1997	Hedrington	2006/0065133	A1	3/2006	Moline
5,806,413	A	9/1998	Trovinger	2007/0041268	A1 *	2/2007	Beesley et al. 366/195
5,896,812	A	4/1999	Basora et al.	2007/0089613	A1 *	4/2007	Wu Chang 99/495
5,906,154	A	5/1999	Yoon et al.	2007/0107609	A1	5/2007	Barker et al.
6,029,568	A	2/2000	Pascotti et al.	2007/0296153	A1	12/2007	Kurth et al.
6,050,180	A	4/2000	Moline	2008/0106043	A1	5/2008	Escriva Estruch
6,112,649	A	9/2000	Jeong	2009/0064875	A1	3/2009	Trovinger
6,210,033	B1	4/2001	Karkos, Jr. et al.	2009/0272280	A1	11/2009	Cheung et al.
6,394,377	B1	5/2002	Kim et al.	2009/0309310	A1	12/2009	Wilson
6,604,454	B1	8/2003	Tateno	2010/0058940	A1	3/2010	Rivera
6,606,939	B1	8/2003	Tateno	2010/0282886	A1	11/2010	Pallmann
6,637,323	B2	10/2003	Kim	2010/0288139	A1	11/2010	Li et al.
6,722,268	B2	4/2004	Catelli	2011/0095115	A1	4/2011	Waznys et al.
6,748,853	B1	6/2004	Brady et al.				

* cited by examiner

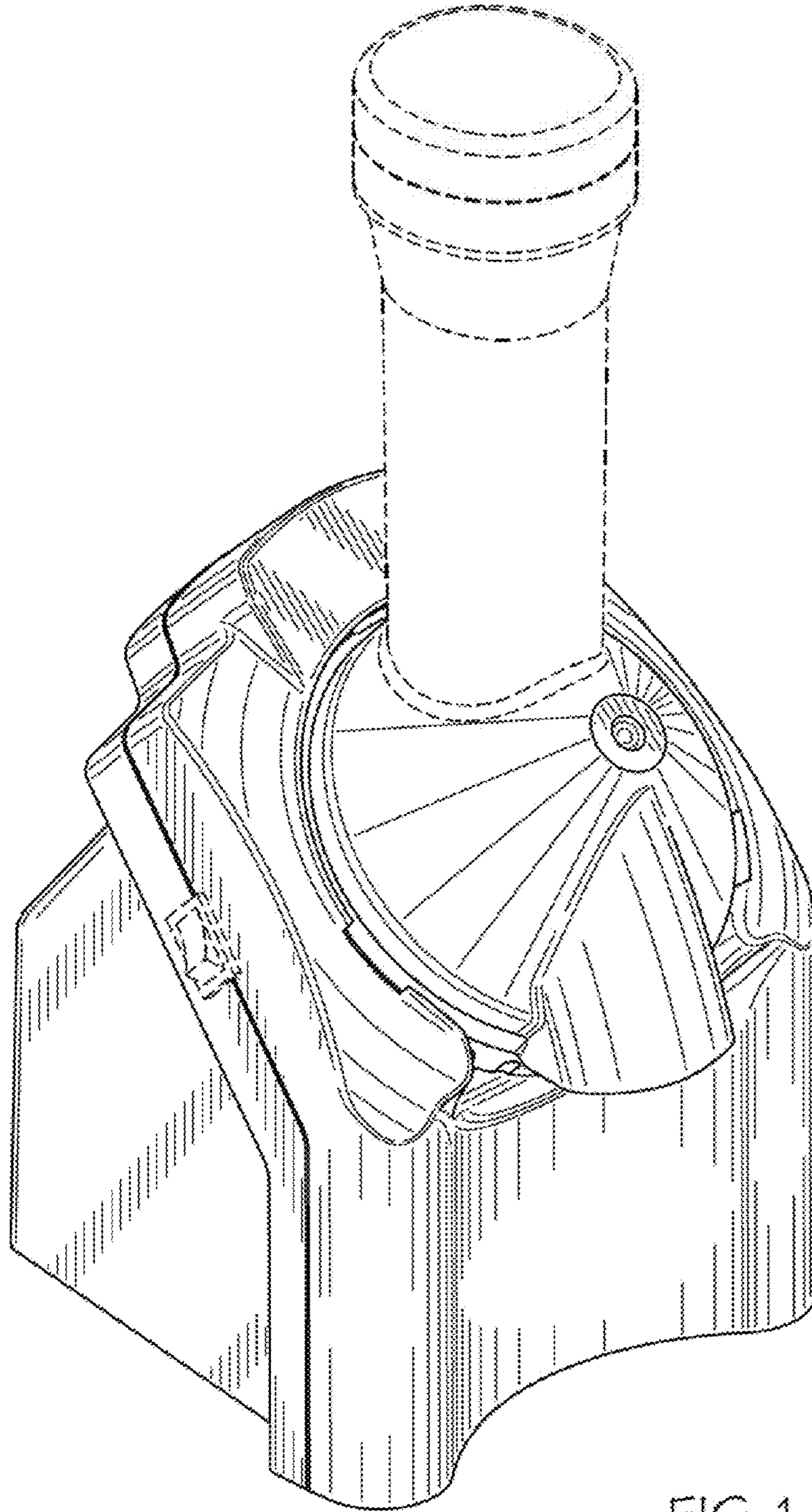


FIG. 1

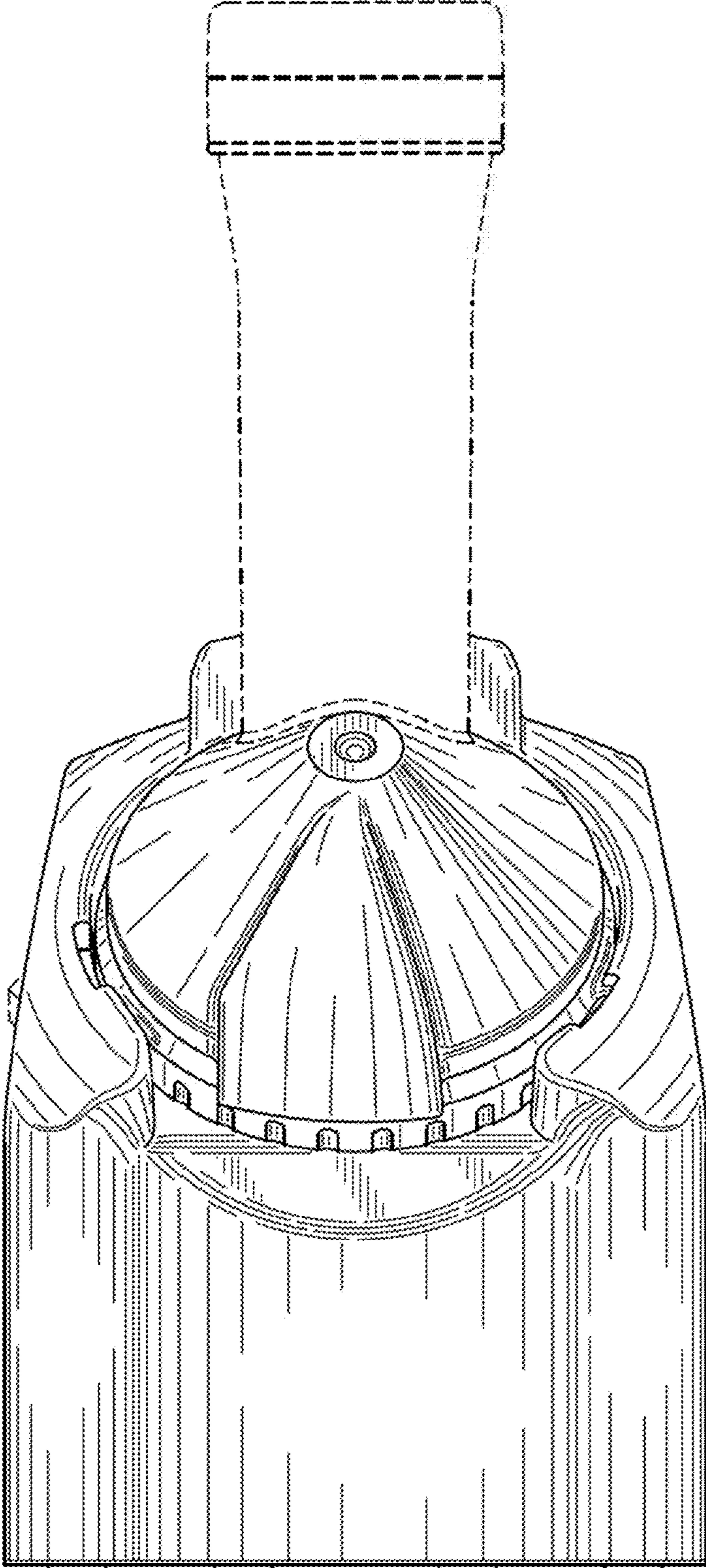


FIG. 2

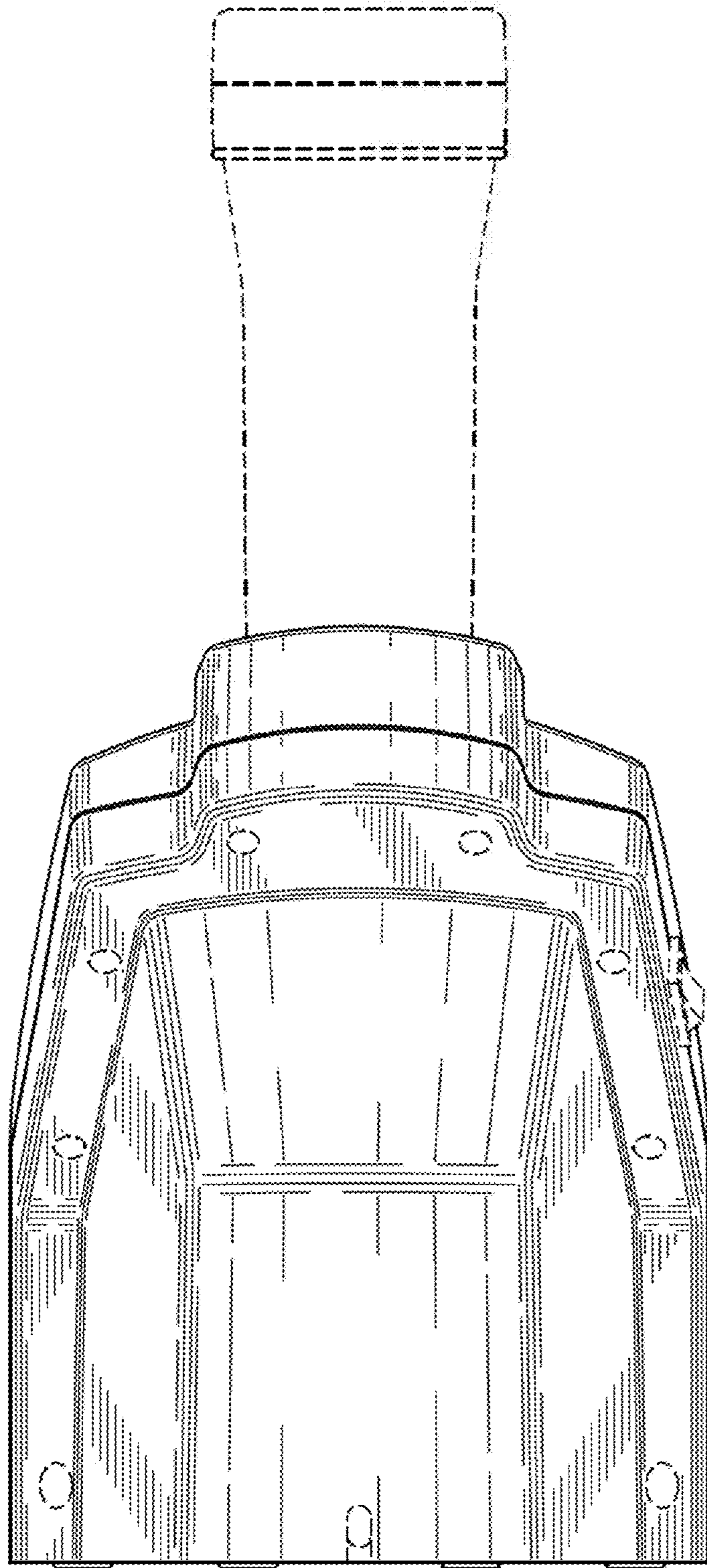


FIG. 3

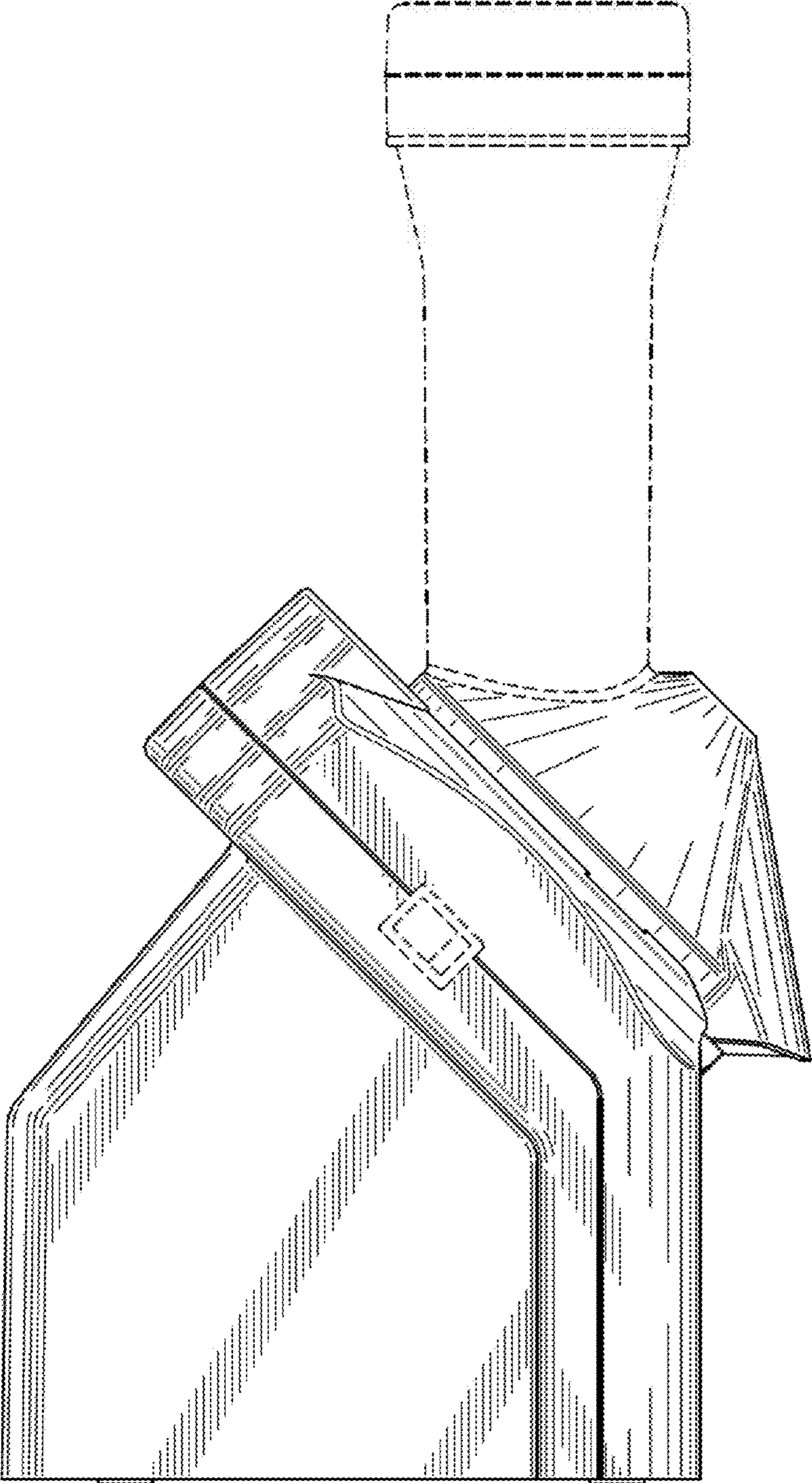


FIG. 4

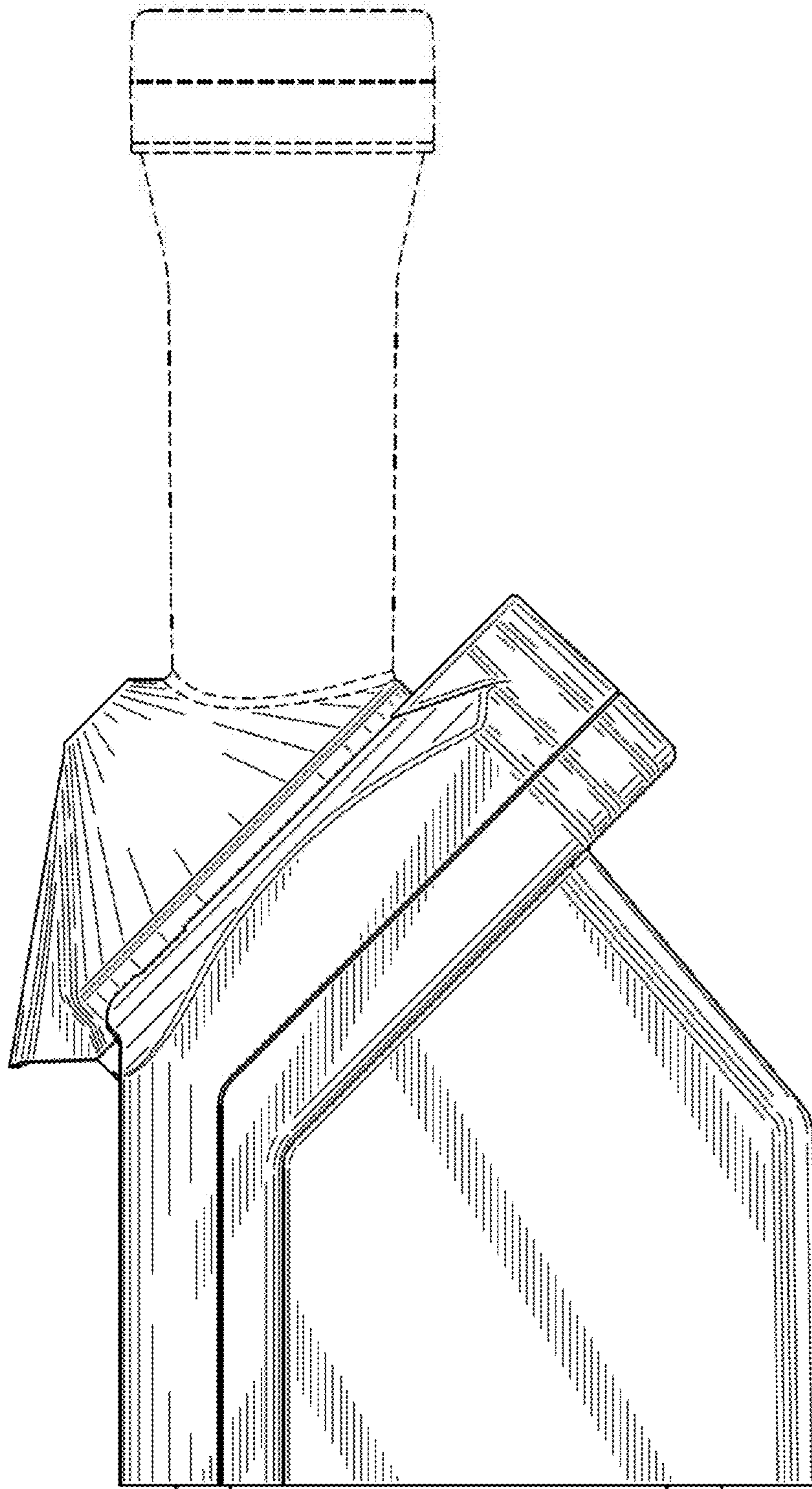


FIG. 5

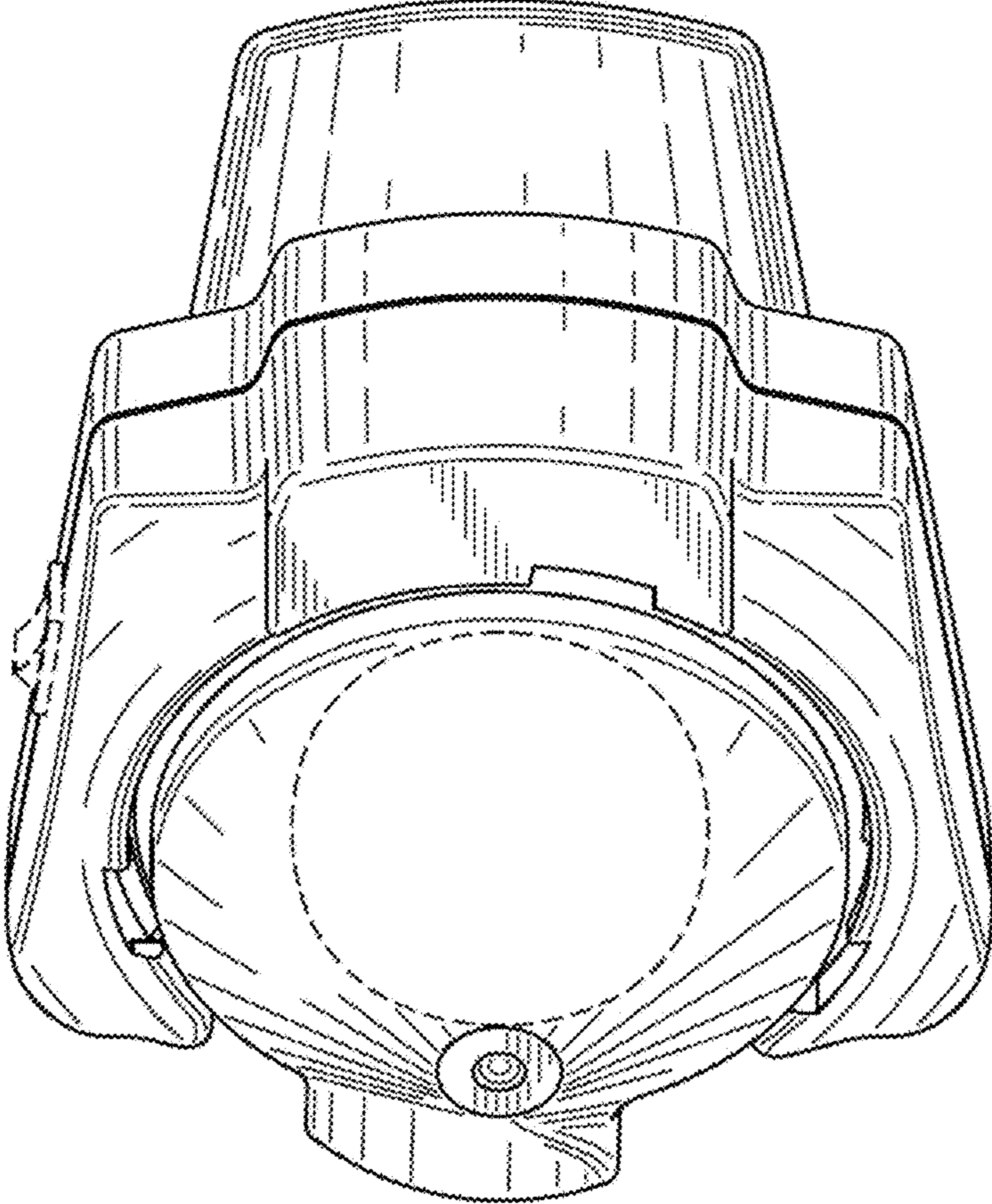


FIG. 6

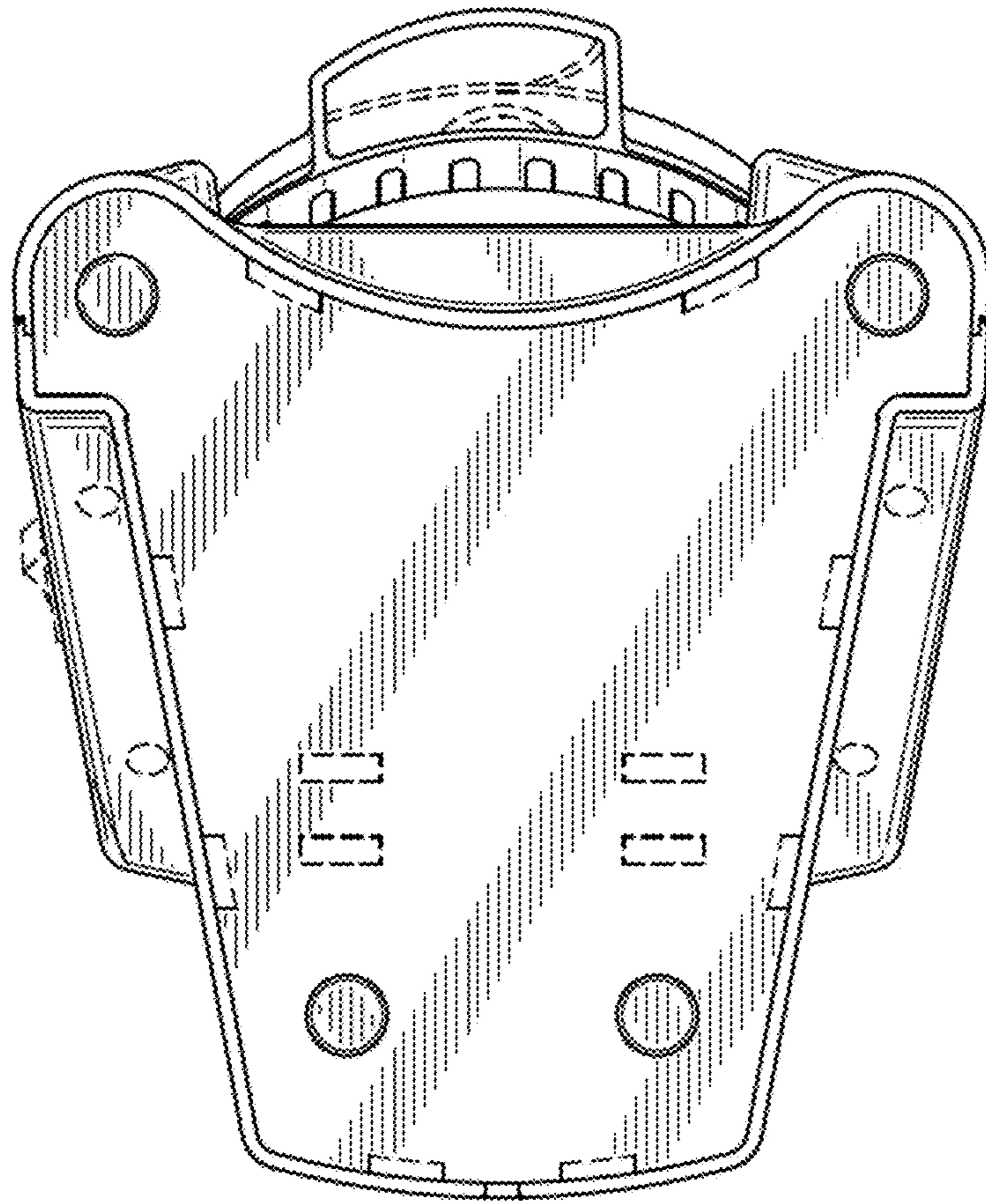


FIG. 7

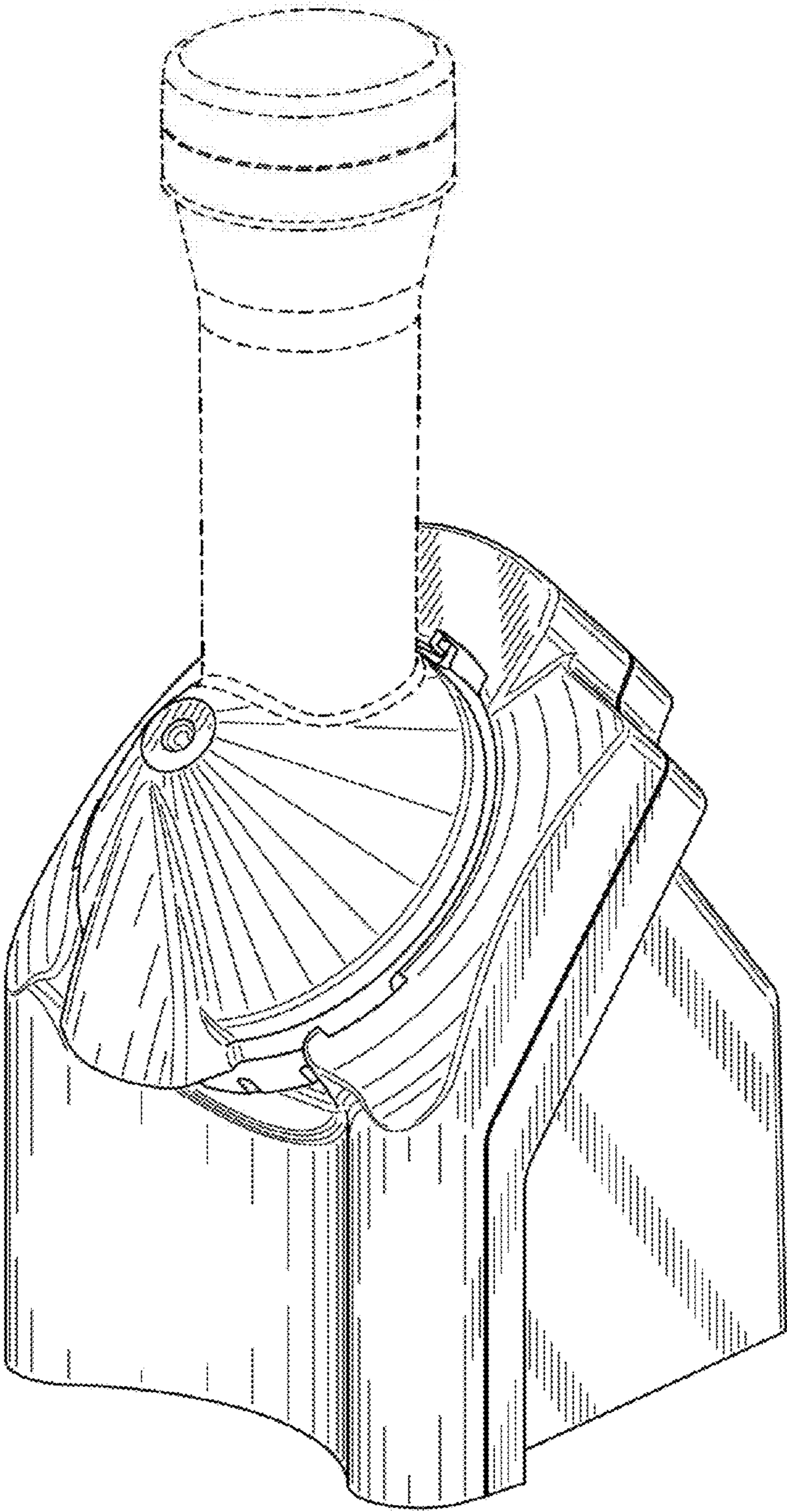


FIG. 8

UNITED STATES PATENT AND TRADEMARK OFFICE
CERTIFICATE OF CORRECTION

PATENT NO. : D682,606 S
APPLICATION NO. : 29/441866
DATED : May 21, 2013
INVENTOR(S) : Machovina et al.

Page 1 of 1

It is certified that error appears in the above-identified patent and that said Letters Patent is hereby corrected as shown below:

Title Page, Item (63), after "May 16, 2011." please insert --13/108,112 is non provisional of 61/378,662, filed on August 31, 2010 and non provisional of 61/440,939, filed on February 9, 2011.--

Signed and Sealed this
Thirtieth Day of July, 2013



Teresa Stanek Rea
Acting Director of the United States Patent and Trademark Office