



US00D682605S

(12) **United States Design Patent**
Krus

(10) **Patent No.:** **US D682,605 S**

(45) **Date of Patent:** **** May 21, 2013**

(54) **EMULSIFIER**

(71) Applicant: **Chef'n Corporation**, Seattle, WA (US)

(72) Inventor: **Matthew Krus**, Seattle, WA (US)

(73) Assignee: **Chef'n Corporation**, Seattle, WA (US)

(**) Term: **14 Years**

(21) Appl. No.: **29/433,734**

(22) Filed: **Oct. 4, 2012**

(51) **LOC (9) Cl.** **31-00**

(52) **U.S. Cl.**

USPC **D7/377; D7/376**

(58) **Field of Classification Search**

USPC D7/301-313, 316-319, 356-357,
D7/368, 372-386, 391-398, 412-415, 503,
D7/515, 590-591, 598, 665, 679, 691-693,
D7/706; D9/504; 99/275, 287, 326, 348,
99/492, 508-512; 222/142.9; 241/30-37.5,
241/101.01-101.2, 166-169.1, 172, 272,
241/285.1-285.3, 291, 292.1; 366/64-67,
366/98, 130, 142-144, 192-212, 241-254,
366/262, 279-292, 325.8, 325.92, 341-347;
416/75-77, 70 R, 163

See application file for complete search history.

(56) **References Cited**

U.S. PATENT DOCUMENTS

3,235,130 A * 2/1966 Waither et al. 222/142.9
D484,371 S * 12/2003 Tang et al. D7/679
D522,318 S * 6/2006 McGuyer D7/590
D530,996 S * 10/2006 Yang D7/693
D537,684 S * 3/2007 Lee D7/679
D560,445 S * 1/2008 Tardif et al. D7/679
D563,153 S * 3/2008 Bodum D7/373

D565,910 S * 4/2008 Krus et al. D7/679
D567,598 S * 4/2008 Lee D7/679
D577,944 S * 10/2008 Spiegel D7/309
D580,702 S * 11/2008 Holcomb et al. D7/377
D581,226 S * 11/2008 Kestenbaum D7/679
D581,742 S * 12/2008 Krus et al. D7/591
D581,750 S * 12/2008 de Groot D7/679
D582,278 S * 12/2008 Bourne D9/504
D608,163 S * 1/2010 Park D7/679
D608,164 S * 1/2010 Park et al. D7/679
D609,535 S * 2/2010 Kavanaugh D7/679
D609,536 S * 2/2010 Tang D7/679
D610,882 S * 3/2010 Jossem et al. D7/679
D616,261 S * 5/2010 Lundstrom D7/679
D616,262 S * 5/2010 Lundstrom D7/679
D618,062 S * 6/2010 Jossem et al. D7/598
D628,011 S * 11/2010 De Pra' D7/372
D642,859 S * 8/2011 Cozzolino et al. D7/381
D646,932 S * 10/2011 Melms, Jr. D7/598

* cited by examiner

Primary Examiner — Ricky Pham

(74) *Attorney, Agent, or Firm* — Seed IP Law Group PLLC

(57) **CLAIM**

The ornamental design for an emulsifier, as shown and described.

DESCRIPTION

FIG. 1 is a perspective view of an emulsifier showing my new design.

FIG. 2 is a right side elevation view thereof.

FIG. 3 is a left side elevation view thereof.

FIG. 4 is a front elevation view thereof.

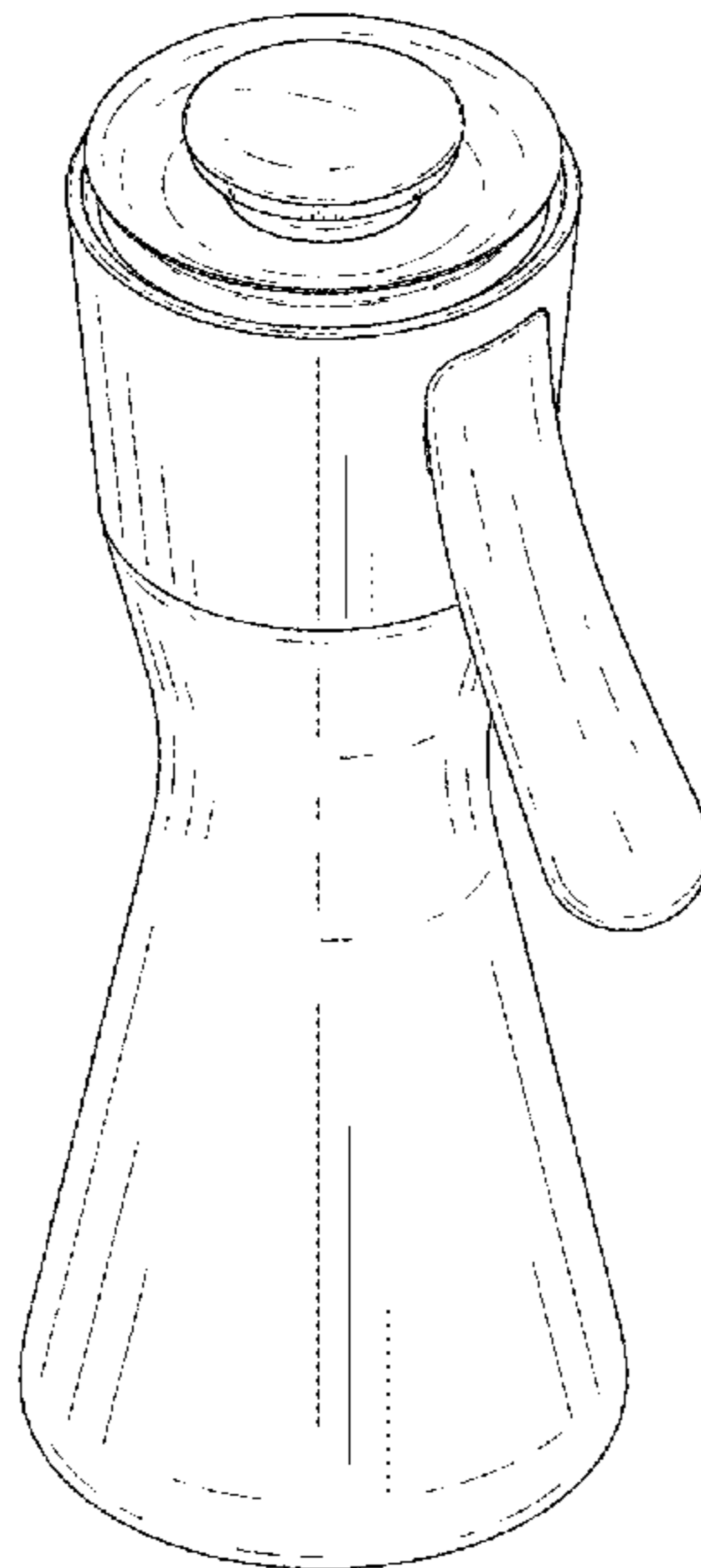
FIG. 5 is a rear elevation view thereof.

FIG. 6 is a top plan view thereof; and,

FIG. 7 is a bottom plan view thereof.

The broken lines in the drawings form no part of the claim.

1 Claim, 6 Drawing Sheets



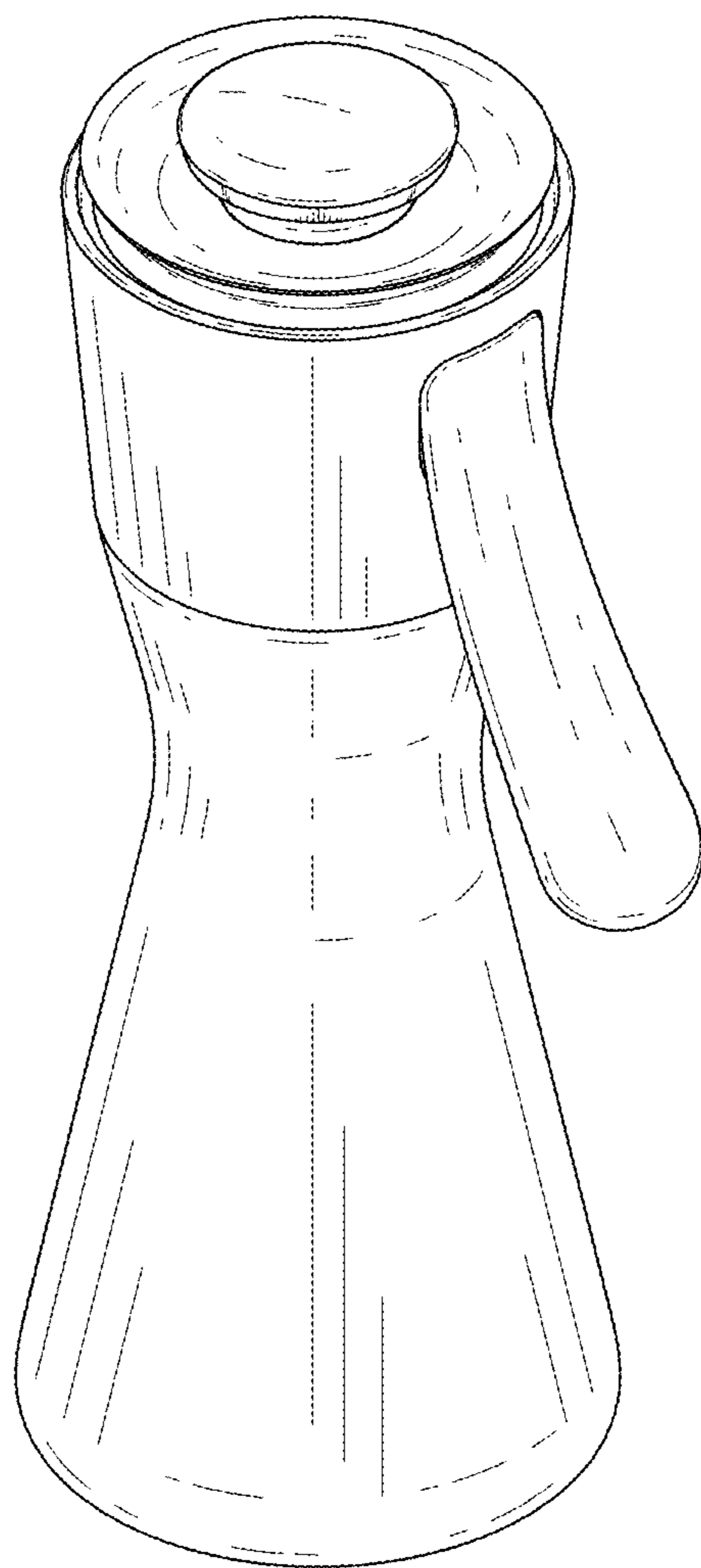


FIG. 1

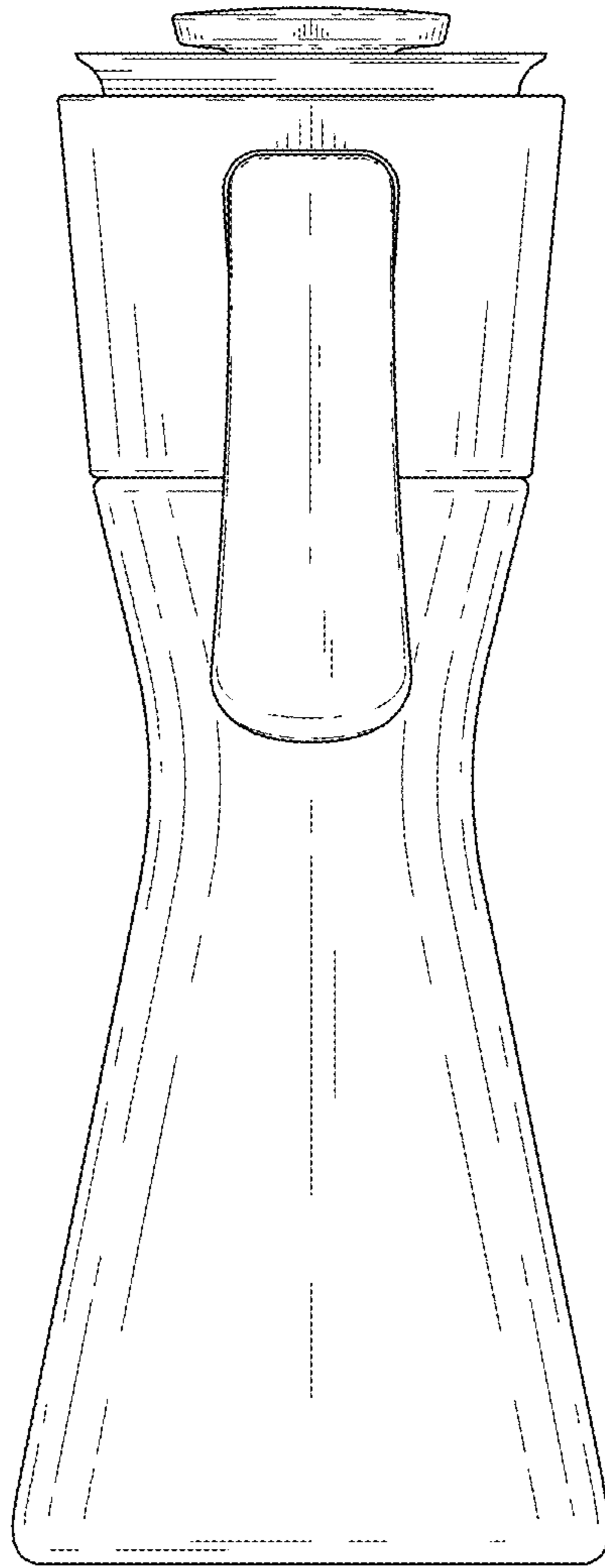


FIG. 2

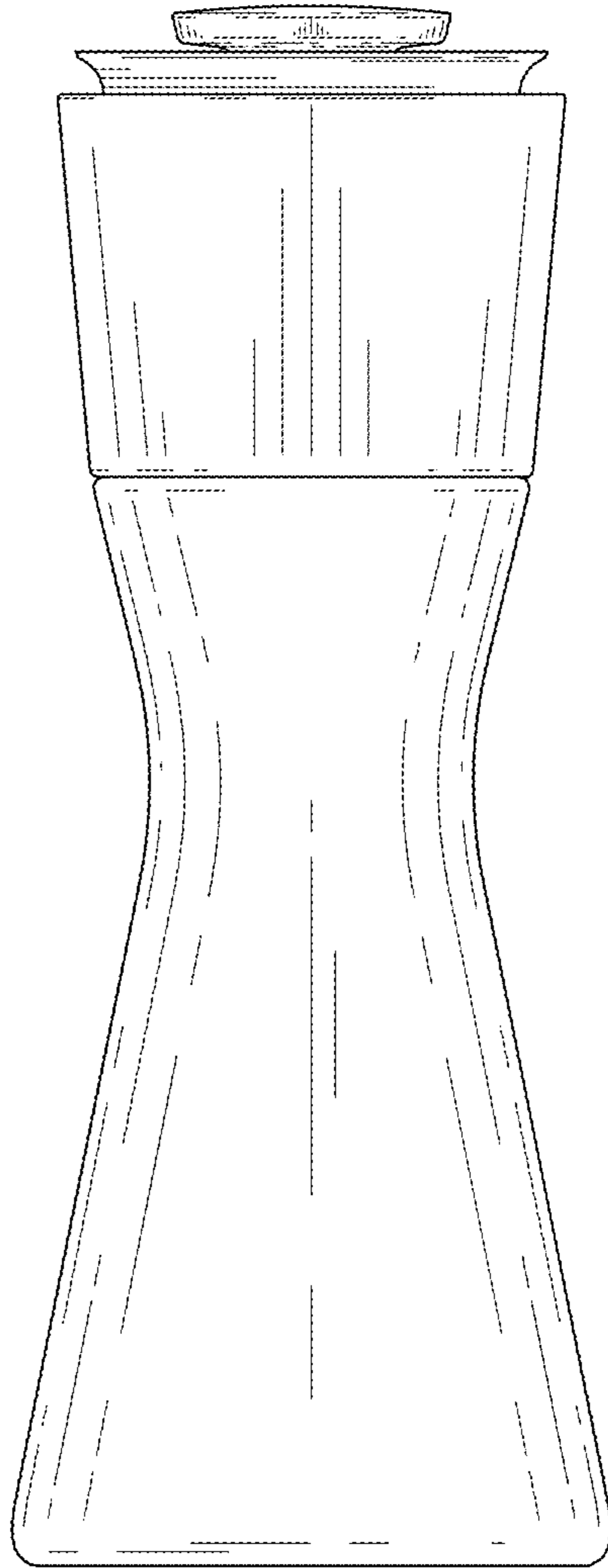


FIG. 3

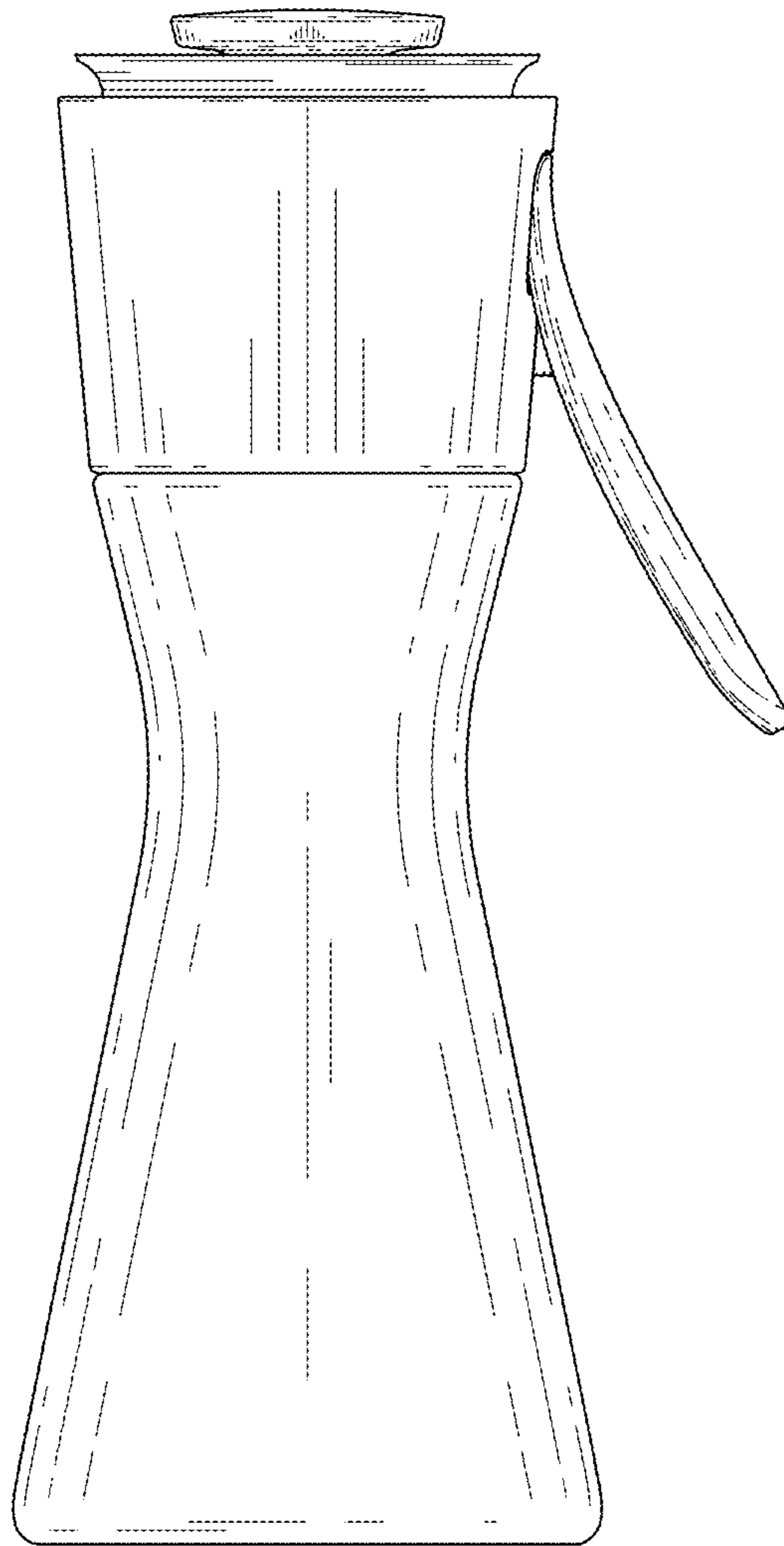


FIG. 4

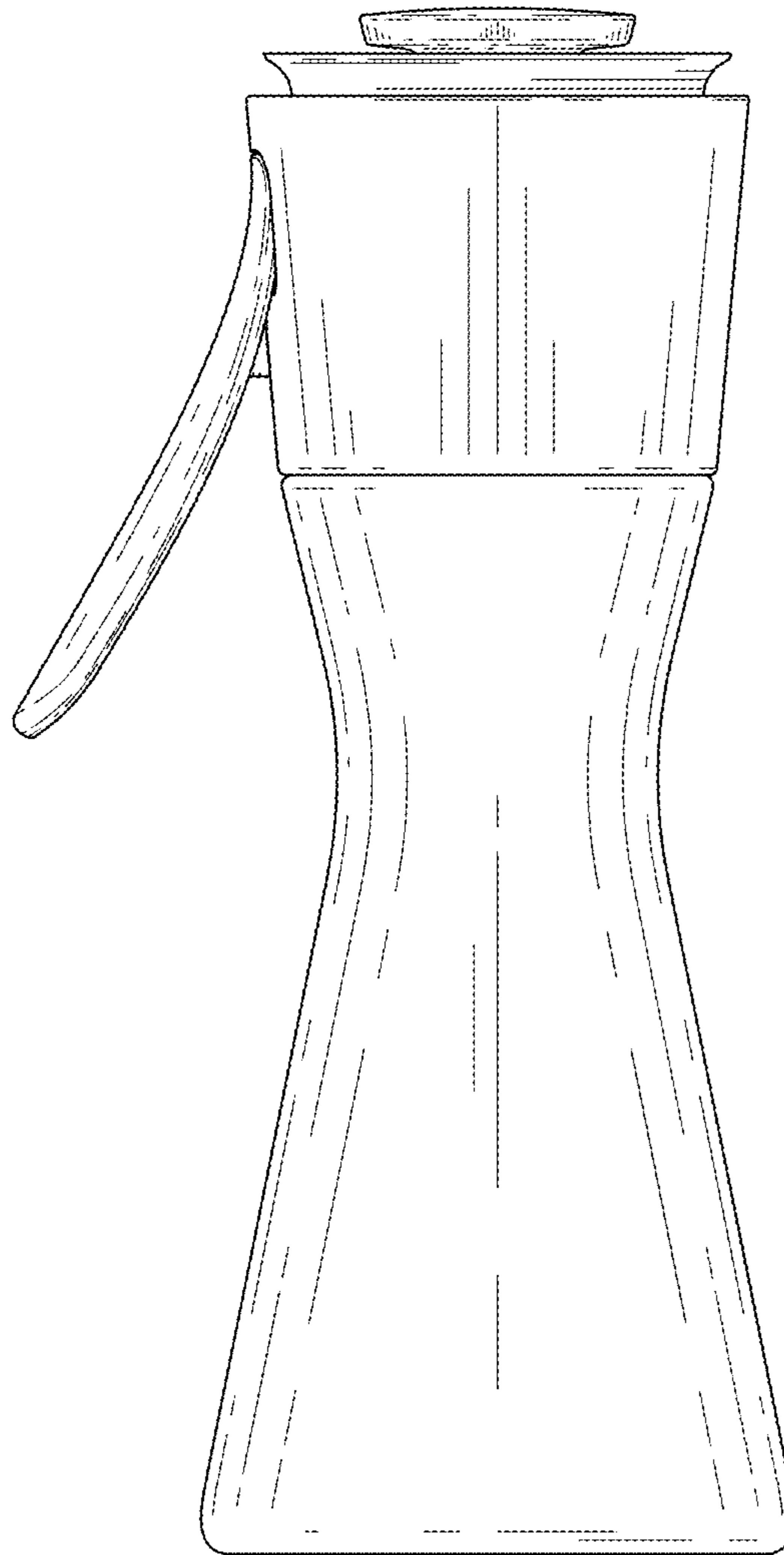


FIG. 5

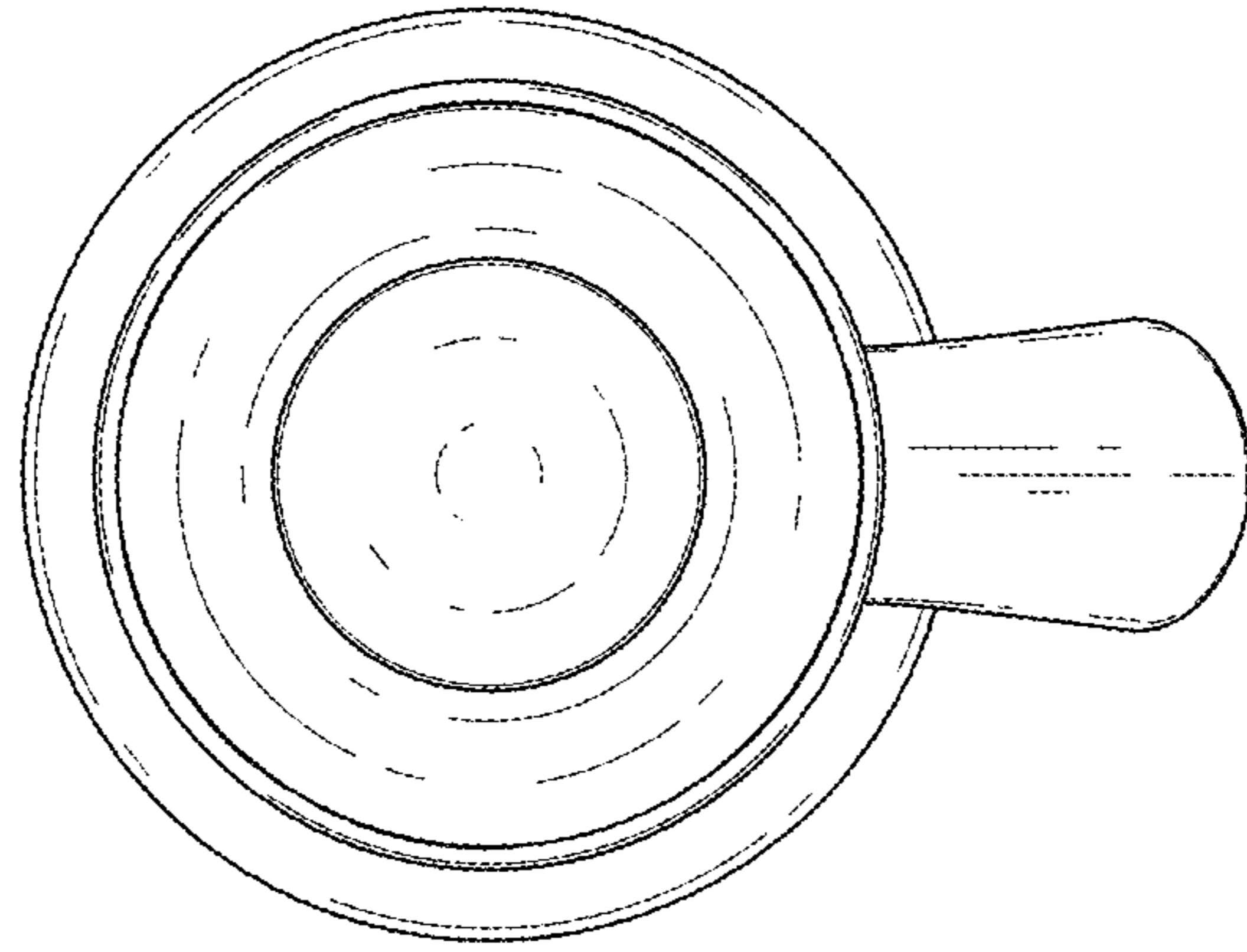


FIG. 6

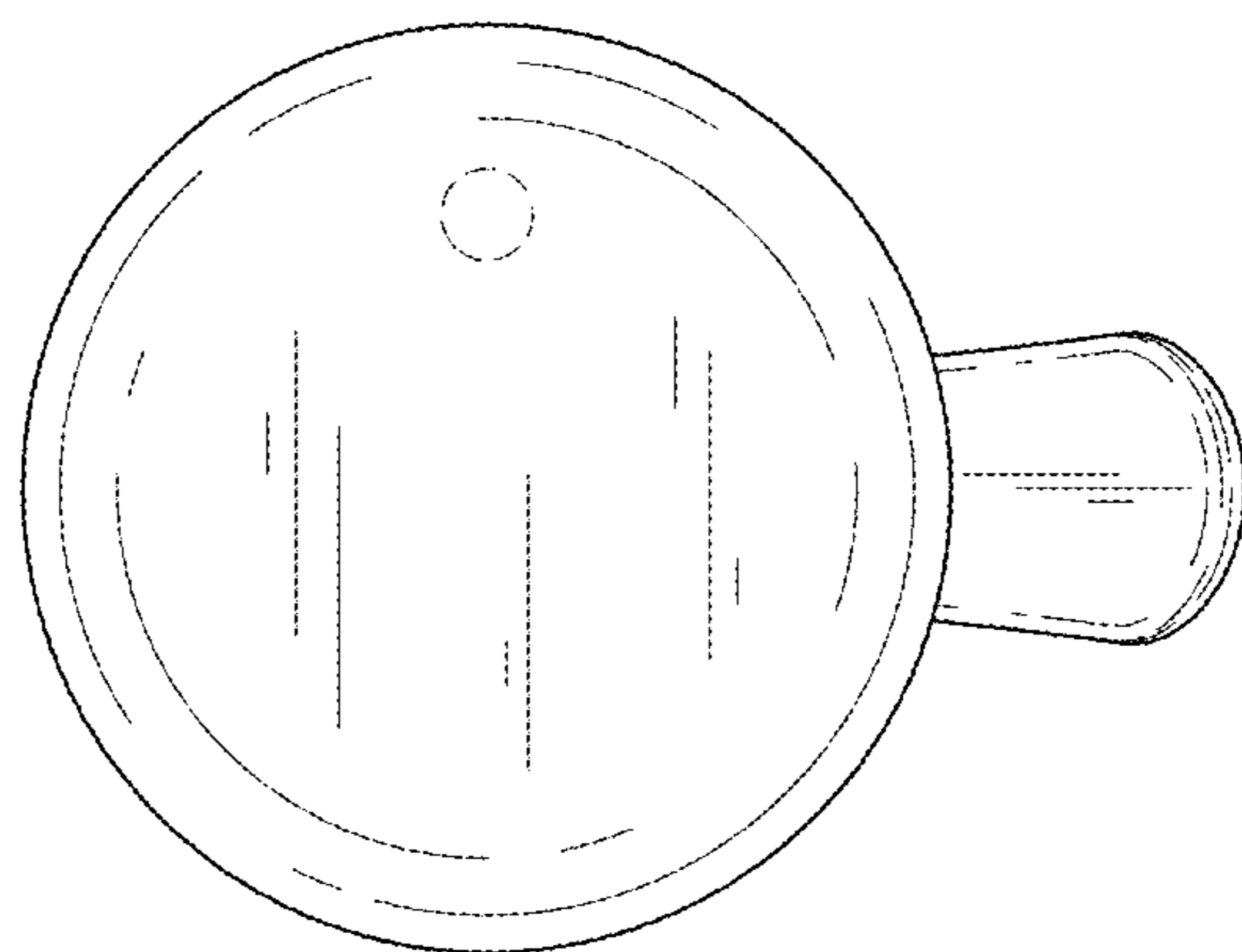


FIG. 7