



US00D682601S

(12) **United States Design Patent**  
**Grasselli et al.**

(10) **Patent No.:** **US D682,601 S**

(45) **Date of Patent:** **\*\* May 21, 2013**

(54) **KETTLE**

(75) Inventors: **Dario Grasselli**, Comerio (IT); **Leif A. Norland**, St. Joseph, MI (US); **Ben C. Shao**, Stevensville, MI (US); **Jeffrey A. Wessel**, Stevensville, MI (US)

(73) Assignee: **Whirlpool Corporation**, Benton Harbor, MI (US)

(\*\*) Term: **14 Years**

(21) Appl. No.: **29/412,911**

(22) Filed: **Feb. 9, 2012**

(51) **LOC (9) Cl.** ..... **07-01**

(52) **U.S. Cl.**  
USPC ..... **D7/321; D7/322; D7/318**

(58) **Field of Classification Search** ..... D7/317-319,  
D7/321, 322, 507, 598, 600; 222/475, 1;  
99/282

See application file for complete search history.

(56) **References Cited**

U.S. PATENT DOCUMENTS

D269,318 S \* 6/1983 Blanchard ..... D7/312  
D272,884 S \* 3/1984 Seibel ..... D7/321

D411,404 S \* 6/1999 Littmann ..... D7/319  
D444,988 S \* 7/2001 Conran ..... D7/319  
6,561,390 B2 \* 5/2003 Boyte et al. .... 222/475.1  
D642,005 S \* 7/2011 Geissler et al. .... D7/319  
D653,896 S \* 2/2012 Wilt ..... D7/315  
D663,163 S \* 7/2012 Dick et al. .... D7/507  
D668,095 S \* 10/2012 Green et al. .... D7/319

\* cited by examiner

*Primary Examiner* — Marianne Pandozzi

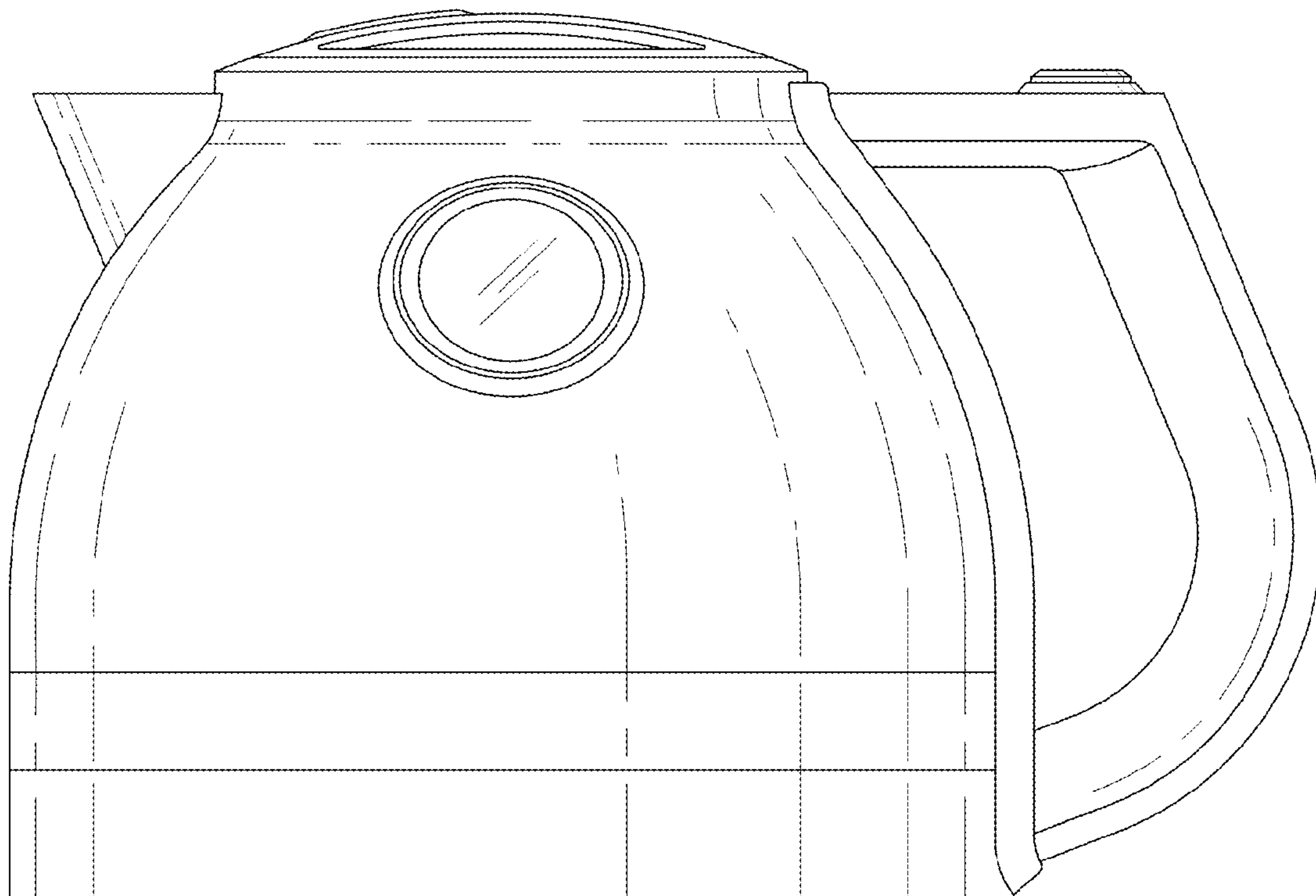
(57) **CLAIM**

We claim the ornamental design for a kettle, as shown and described.

**DESCRIPTION**

FIG. 1 is a front perspective view of a design of the kettle; FIG. 2 is a first side elevation view of the kettle of FIG. 1; FIG. 3 is a second side elevation view of the kettle of FIG. 1; FIG. 4 is a front elevation view of the kettle of FIG. 1; FIG. 5 is a rear elevation view of the kettle of FIG. 1; FIG. 6 is a top plan view of the kettle of FIG. 1; and, FIG. 7 is a bottom plan view of the kettle of FIG. 1. The features shown in broken lines depict environmental subject matter only and form no part of the claimed design.

**1 Claim, 7 Drawing Sheets**



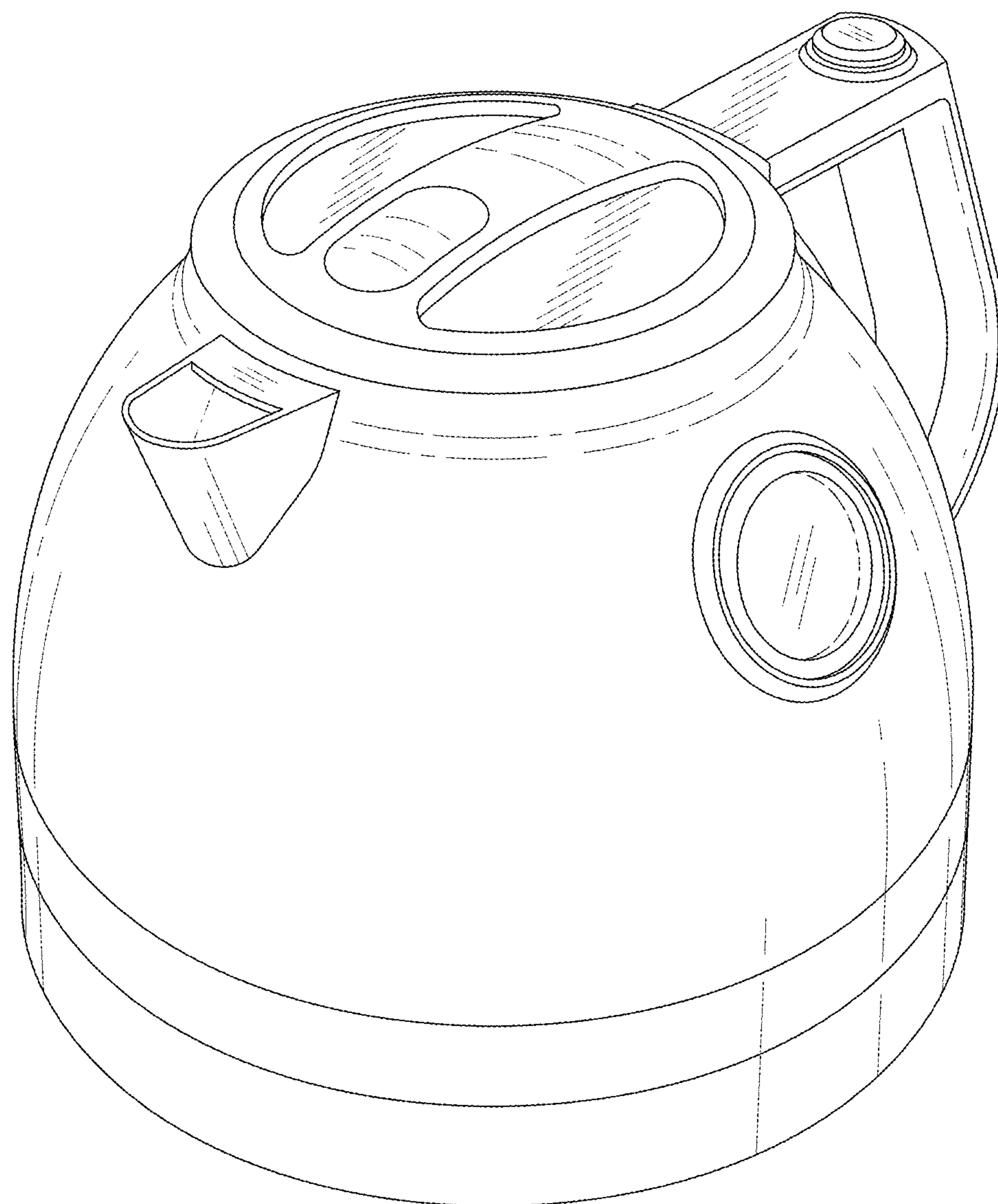


Fig. 1

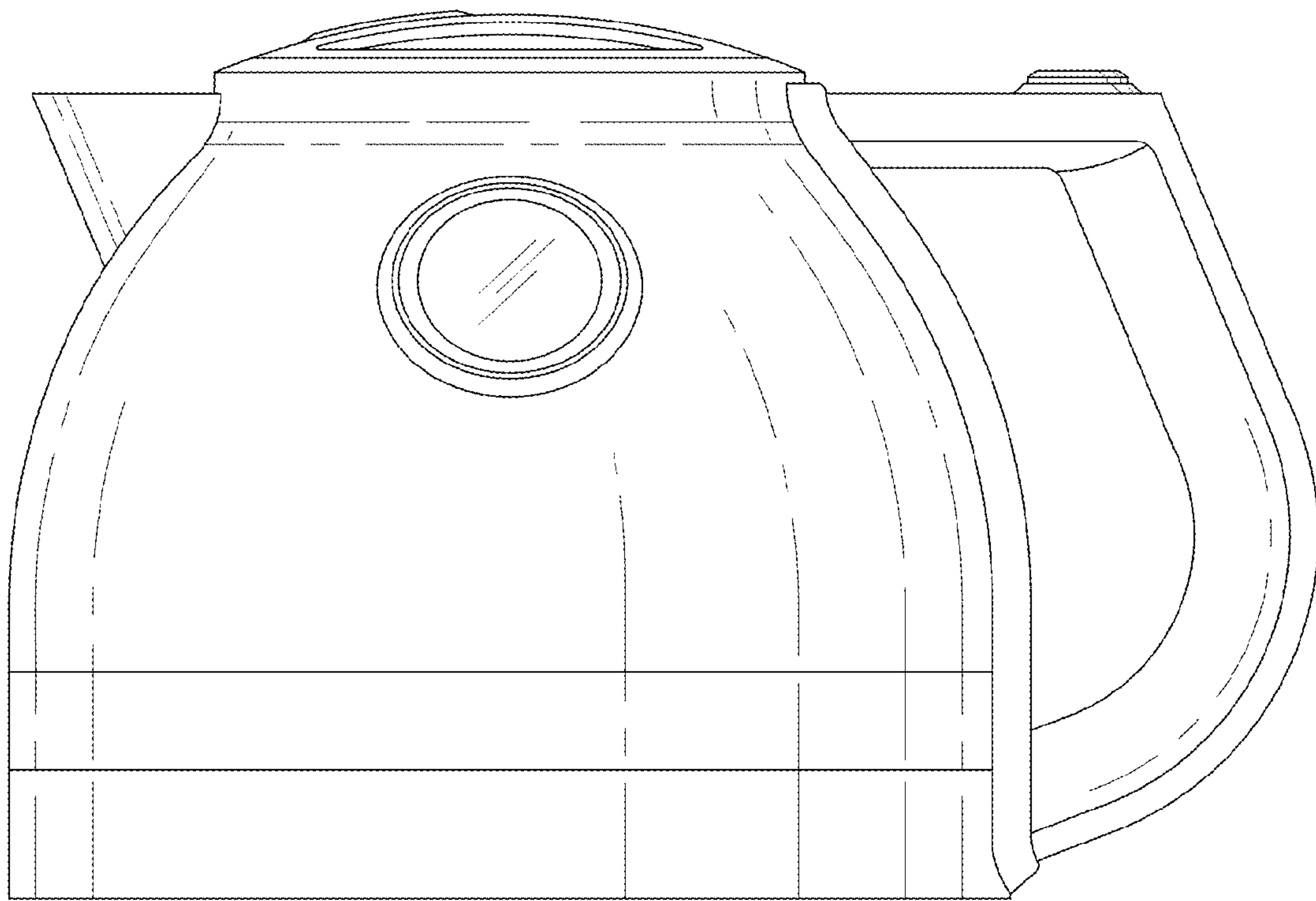


Fig. 2

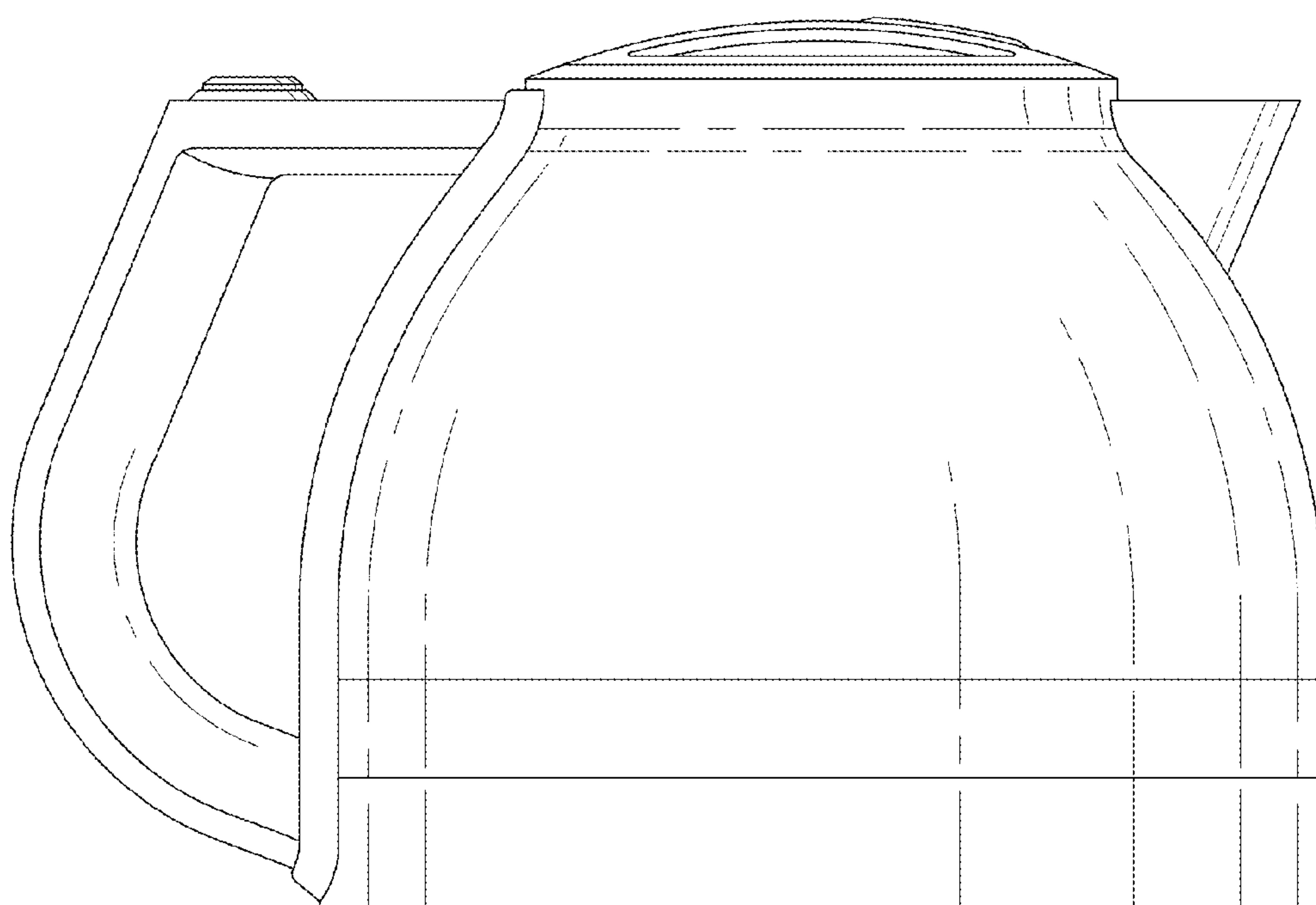


Fig. 3

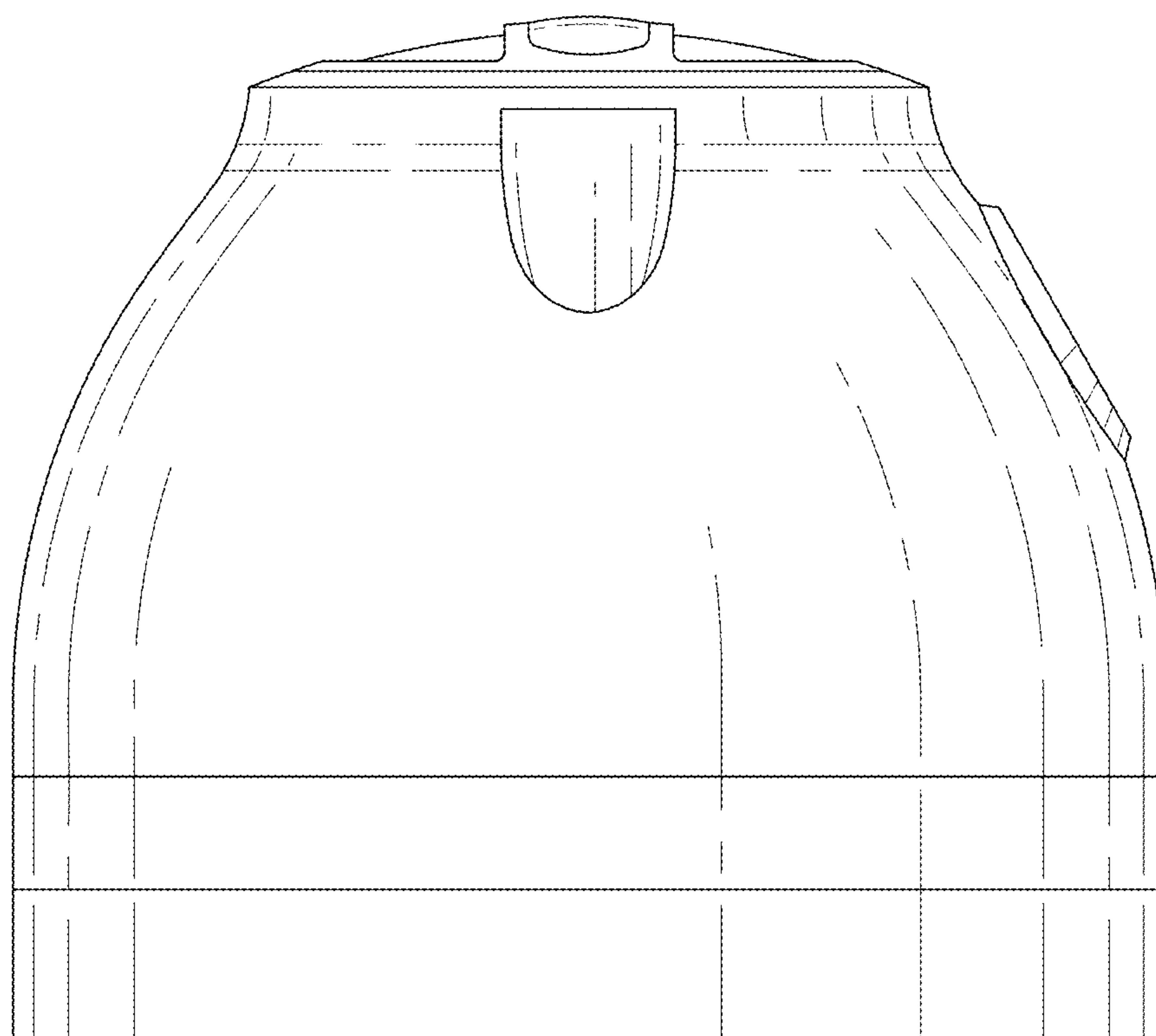


Fig. 4

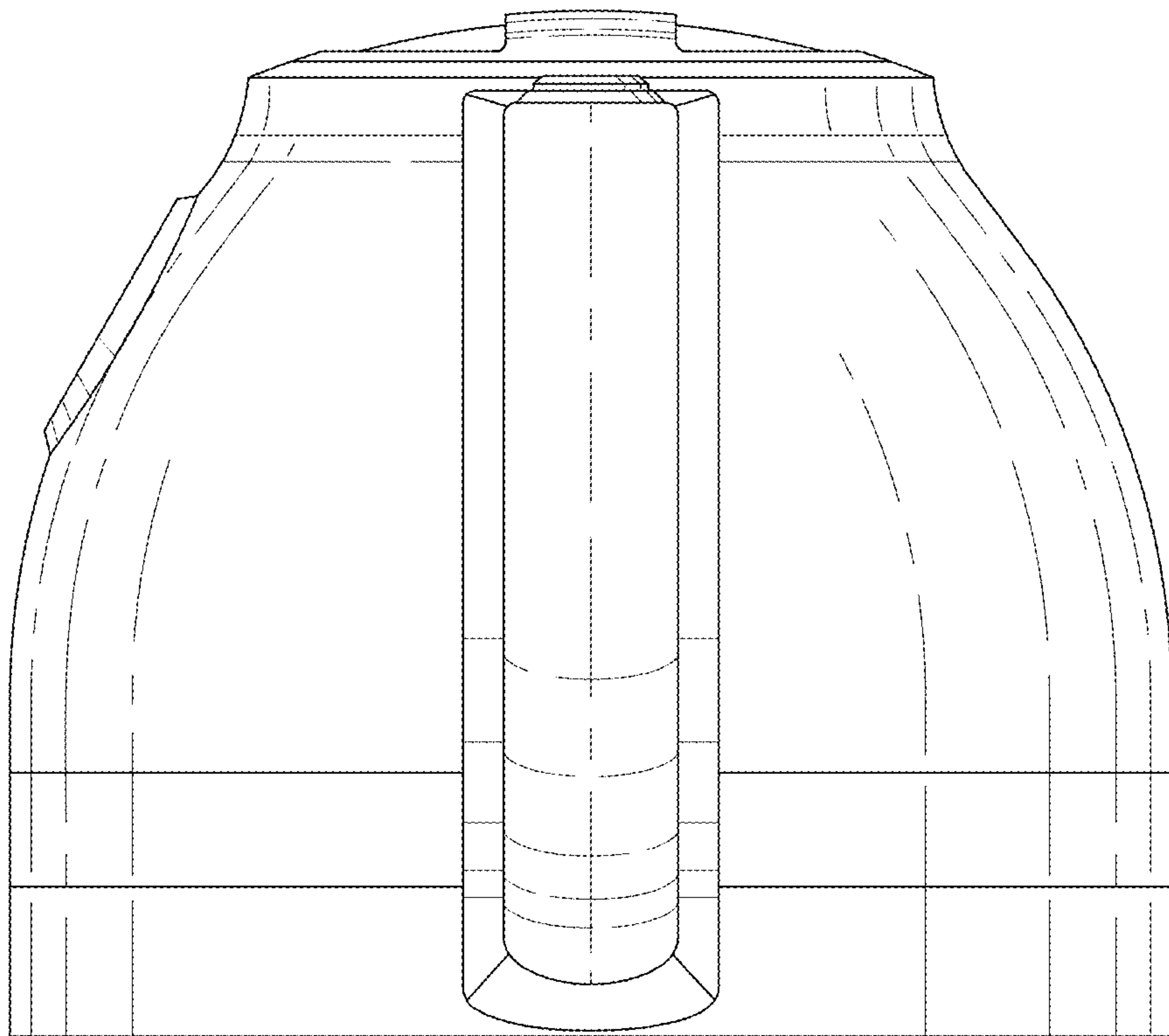


Fig. 5



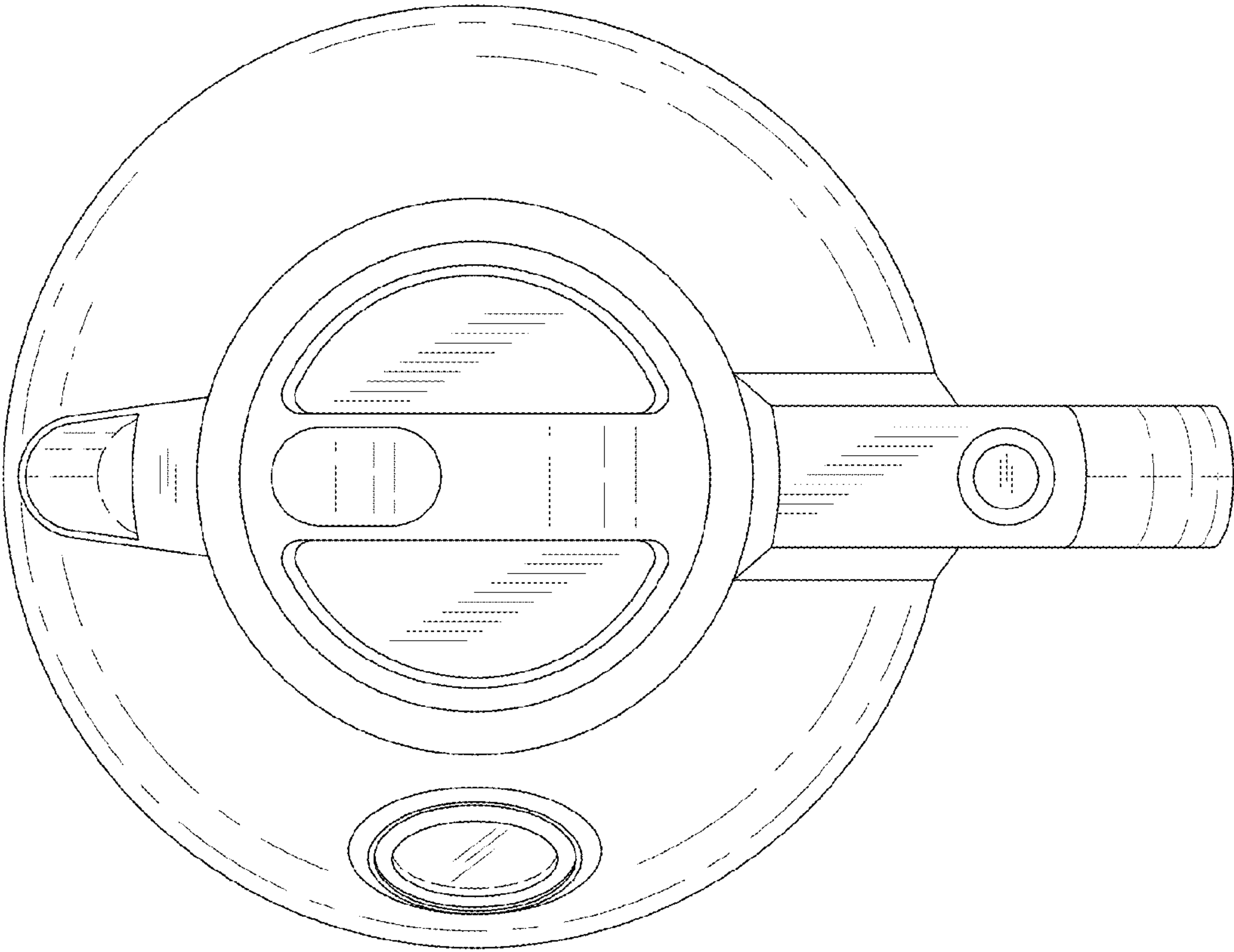


Fig. 6

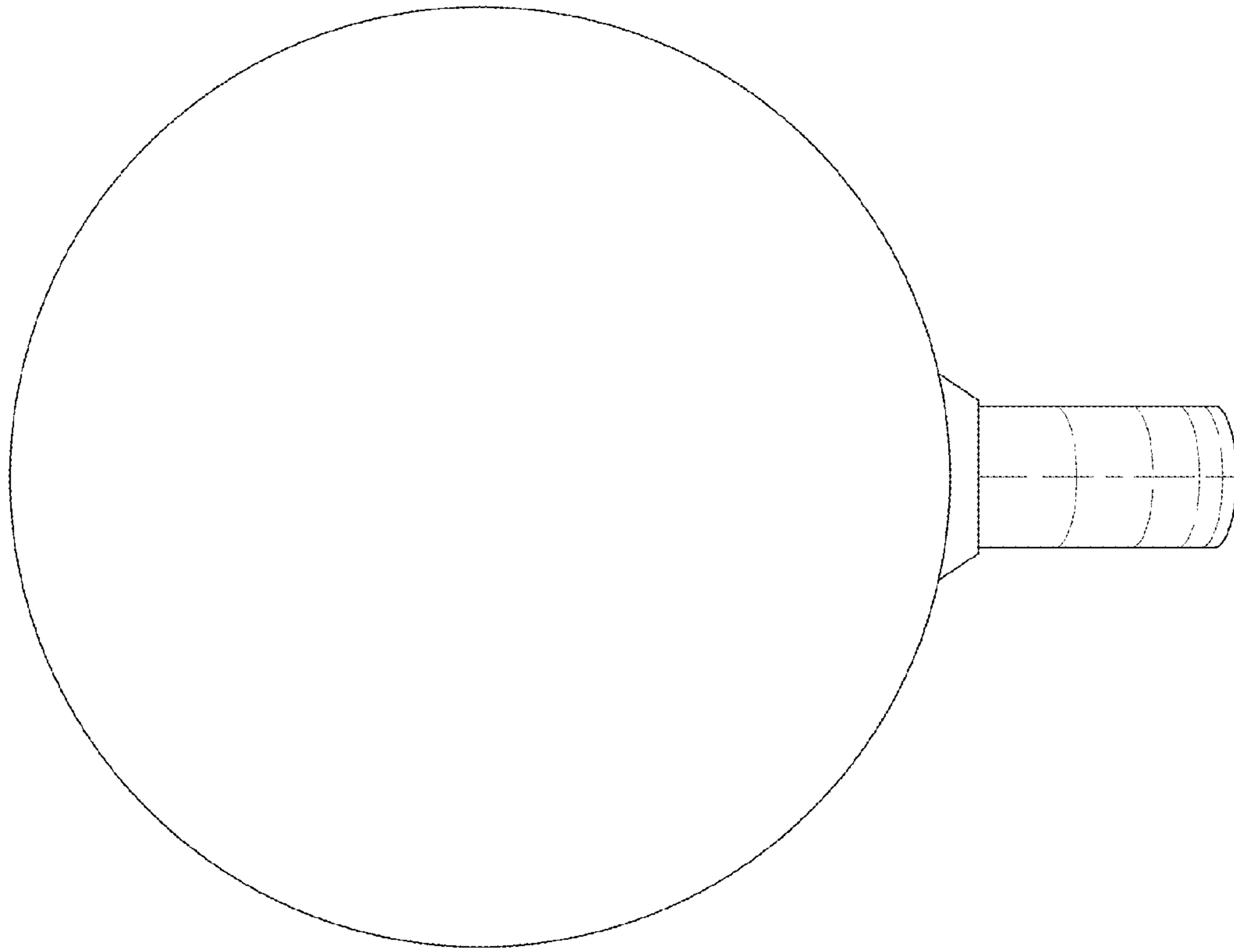


Fig. 7