



US00D682599S

(12) **United States Design Patent**
Bolzicco et al.

(10) **Patent No.:** **US D682,599 S**

(45) **Date of Patent:** **** May 21, 2013**

(54) **COFFEE MACHINE**

(75) Inventors: **Claudio Bolzicco**, Pordenone (IT);
Carlo Bach, Enemonzo (IT); **Claudio Giachin**, Trieste (IT)

(73) Assignee: **Illycaffè SpA**, Trieste (IT)

(**) Term: **14 Years**

(21) Appl. No.: **29/416,496**

(22) Filed: **Mar. 22, 2012**

(30) **Foreign Application Priority Data**

Nov. 25, 2011 (EM) 1303739

(51) **LOC (9) Cl.** **07-01**

(52) **U.S. Cl.**
USPC **D7/309; D7/311; D7/306**

(58) **Field of Classification Search** D7/300,
D7/309-311, 306-308; 99/295, 300
See application file for complete search history.

(56) **References Cited**

U.S. PATENT DOCUMENTS

D288,886 S * 3/1987 Oakley et al. D7/309
D295,939 S * 5/1988 Dole et al. D7/309
D297,098 S * 8/1988 Ohya et al. D7/309
D303,060 S * 8/1989 Jennings et al. D7/309

D324,319 S * 3/1992 Faerber et al. D7/308
D509,701 S * 9/2005 Lam D7/309
D570,636 S * 6/2008 Kulujian et al. D7/306
D577,244 S * 9/2008 Cahen D7/305
D598,693 S * 8/2009 Kindler et al. D7/309
D600,061 S * 9/2009 Glucksman et al. D7/309
D611,753 S * 3/2010 Gammack et al. D7/306

* cited by examiner

Primary Examiner — Marianne Pandozzi

(74) *Attorney, Agent, or Firm* — Flaster/Greenberg P.C.

(57) **CLAIM**

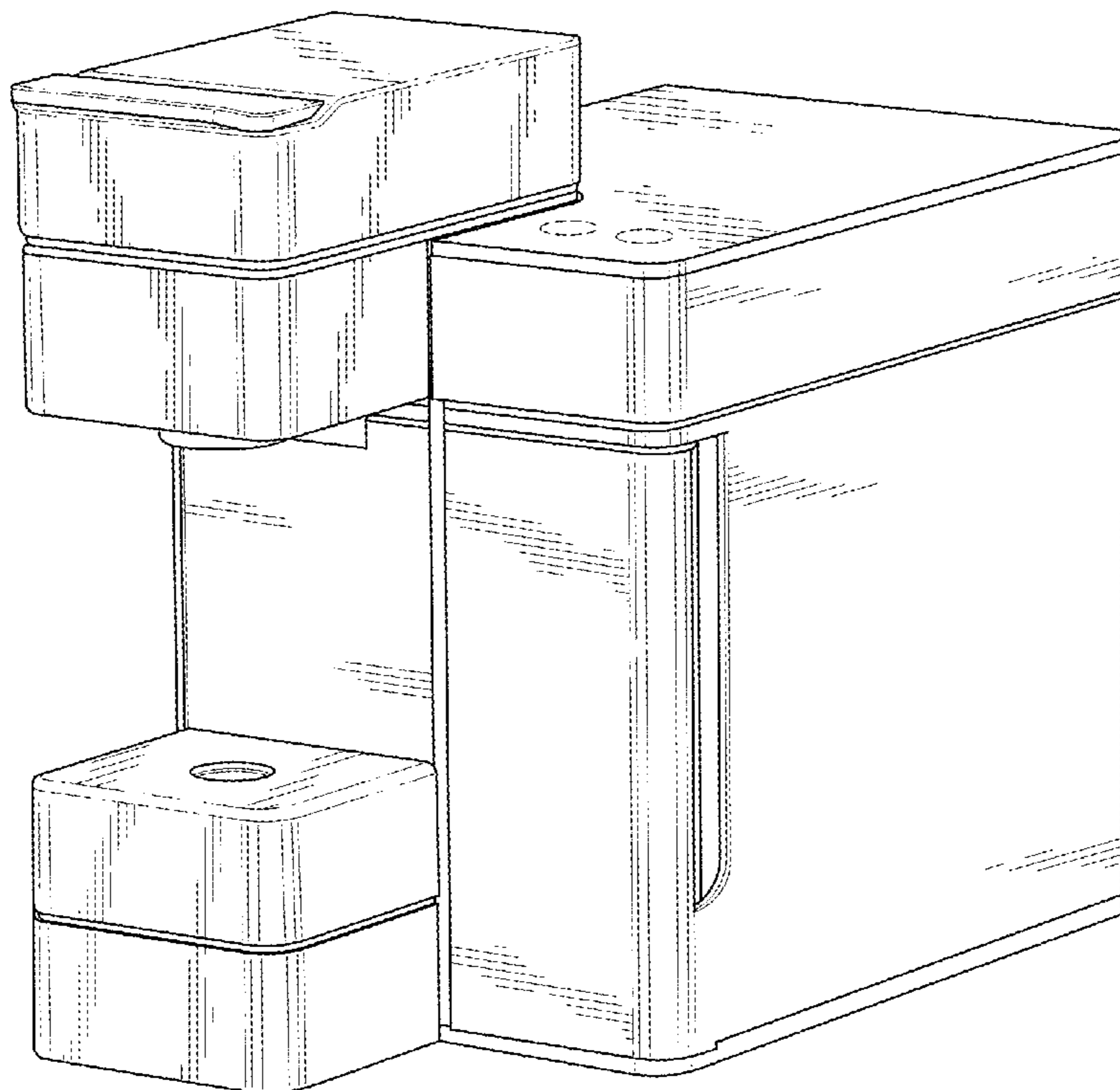
The ornamental design for a coffee machine, as shown and described.

DESCRIPTION

FIG. 1 is a perspective view of a coffee machine showing our new design;
FIG. 2 is a front view thereof;
FIG. 3 is a rear view thereof;
FIG. 4 is a right side view thereof at a reduced scale;
FIG. 5 is a left side view thereof at a reduced scale;
FIG. 6 is a top view thereof at a reduced scale;
FIG. 7 is a bottom view thereof at a reduced scale; and,
FIG. 8 is another perspective view thereof.

The broken lines in the drawings are included for the purpose of illustration and form no part of the claimed design.

1 Claim, 8 Drawing Sheets



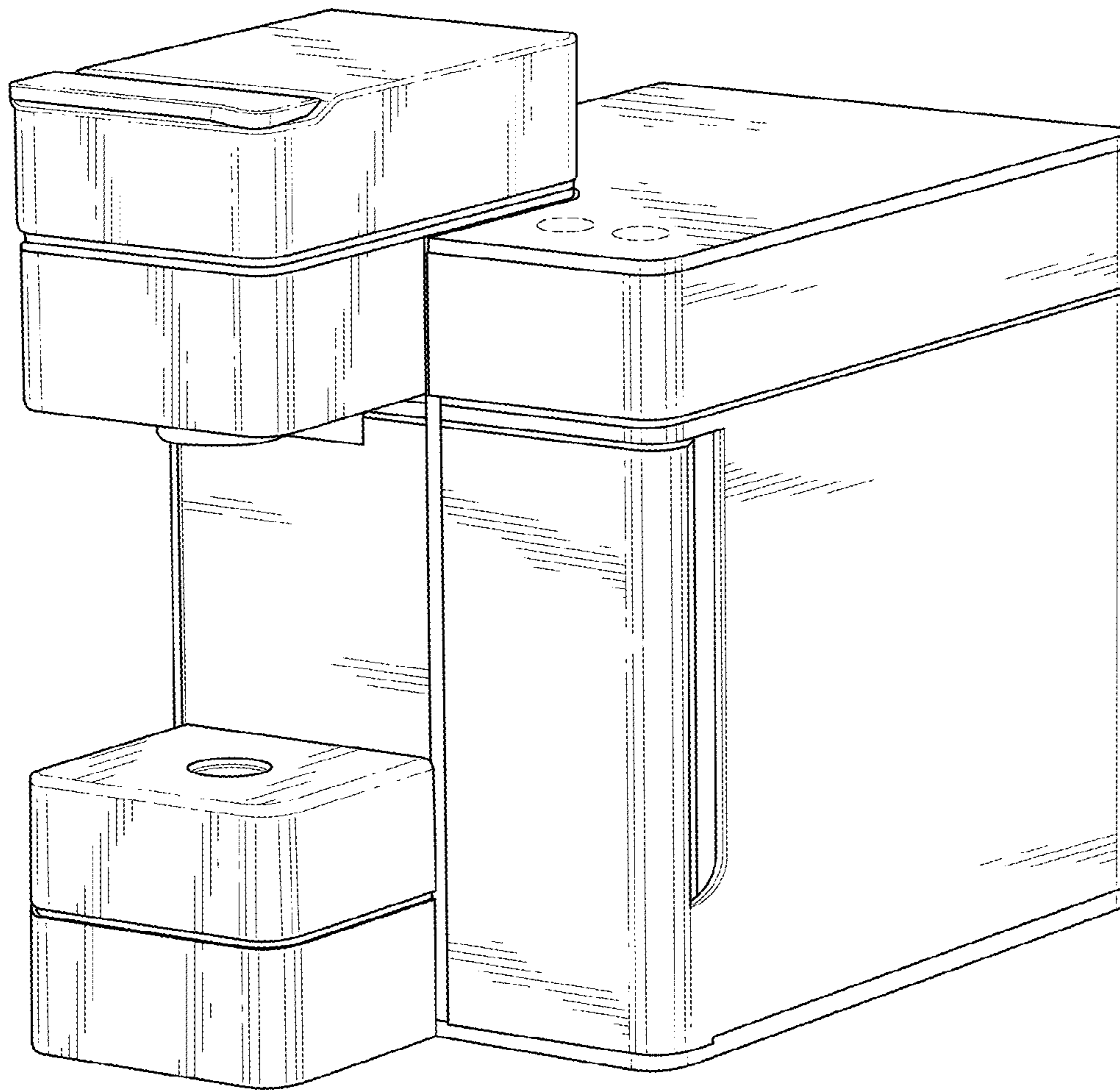


FIG. 1

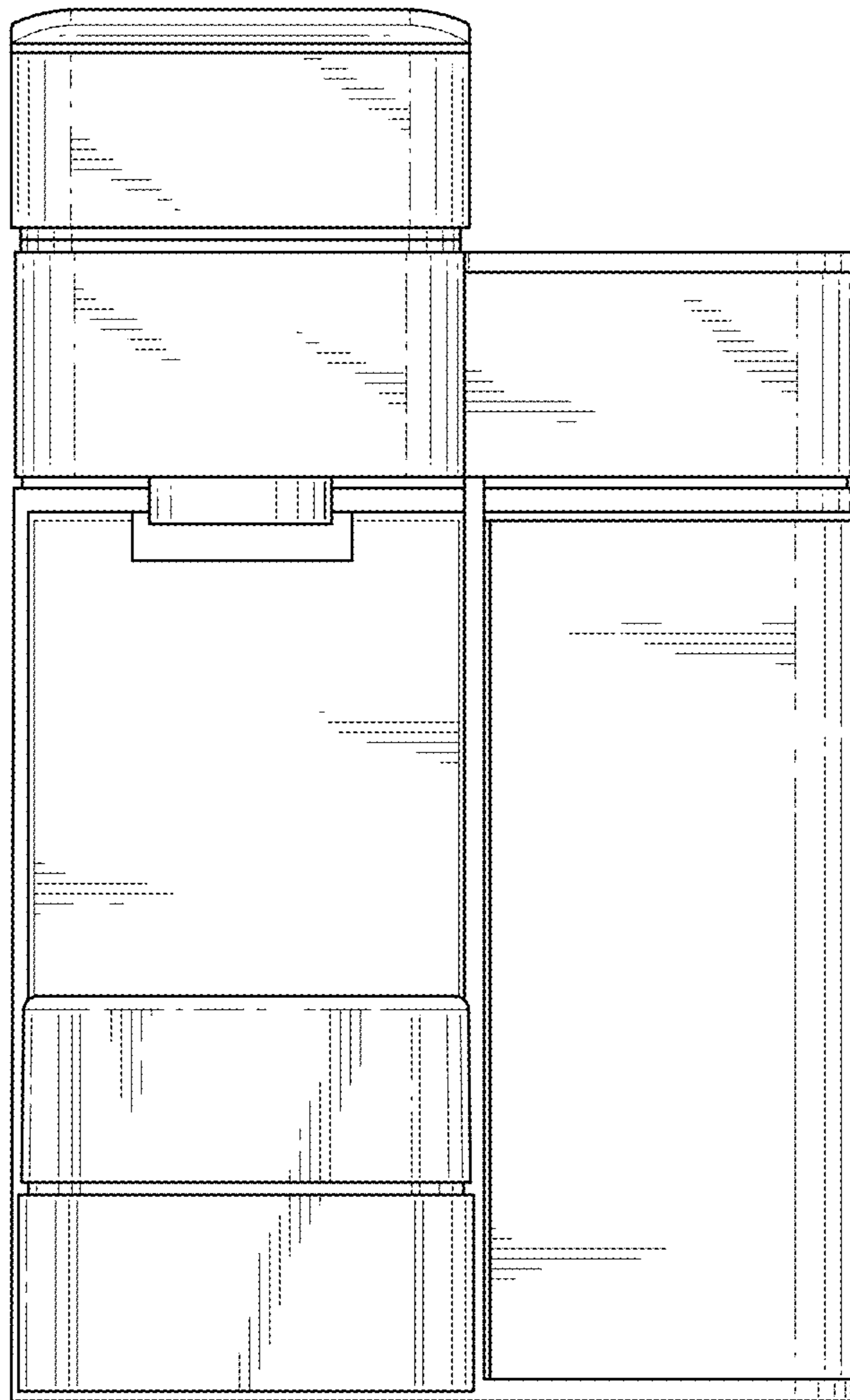


FIG. 2

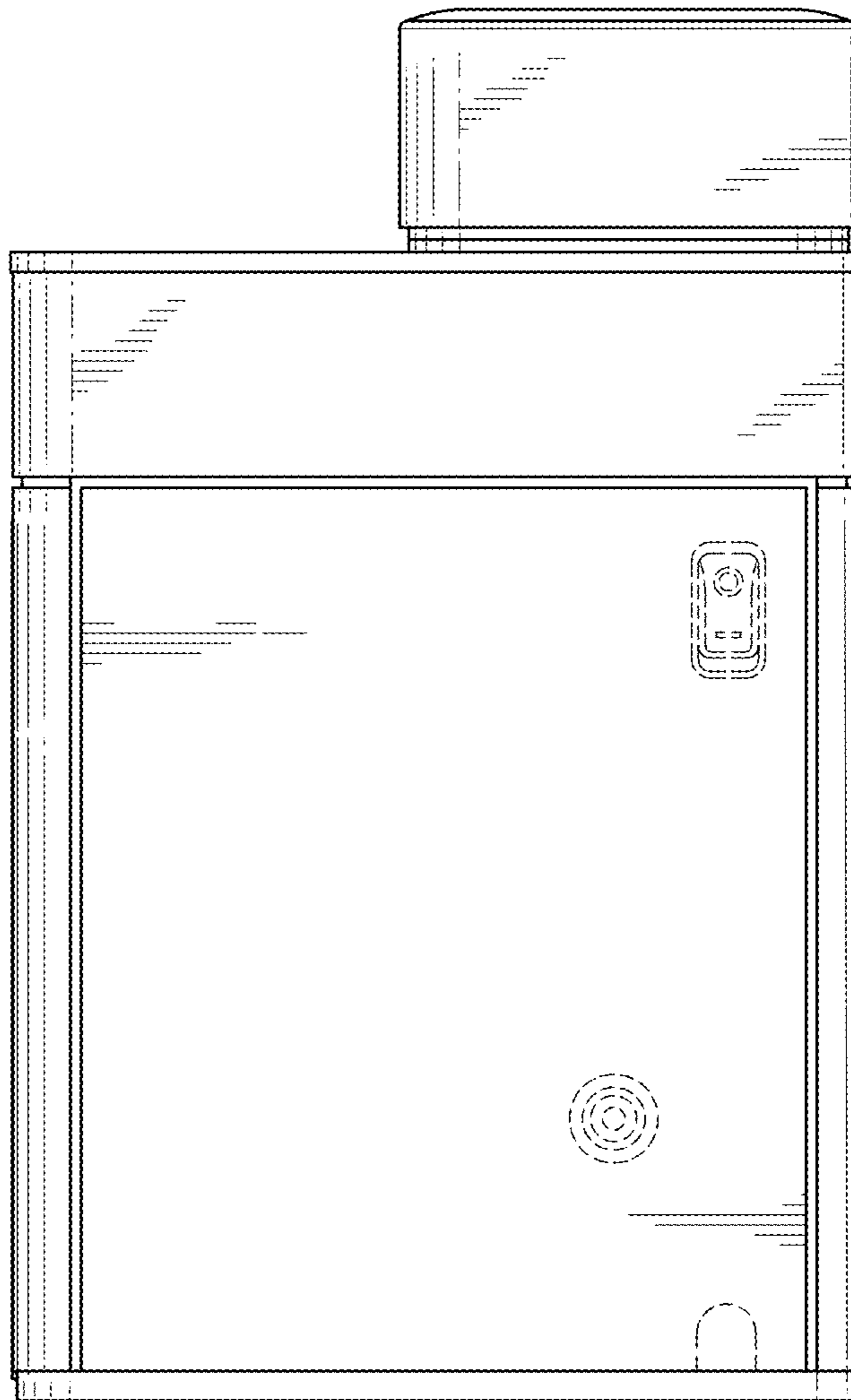


FIG. 3



FIG.4

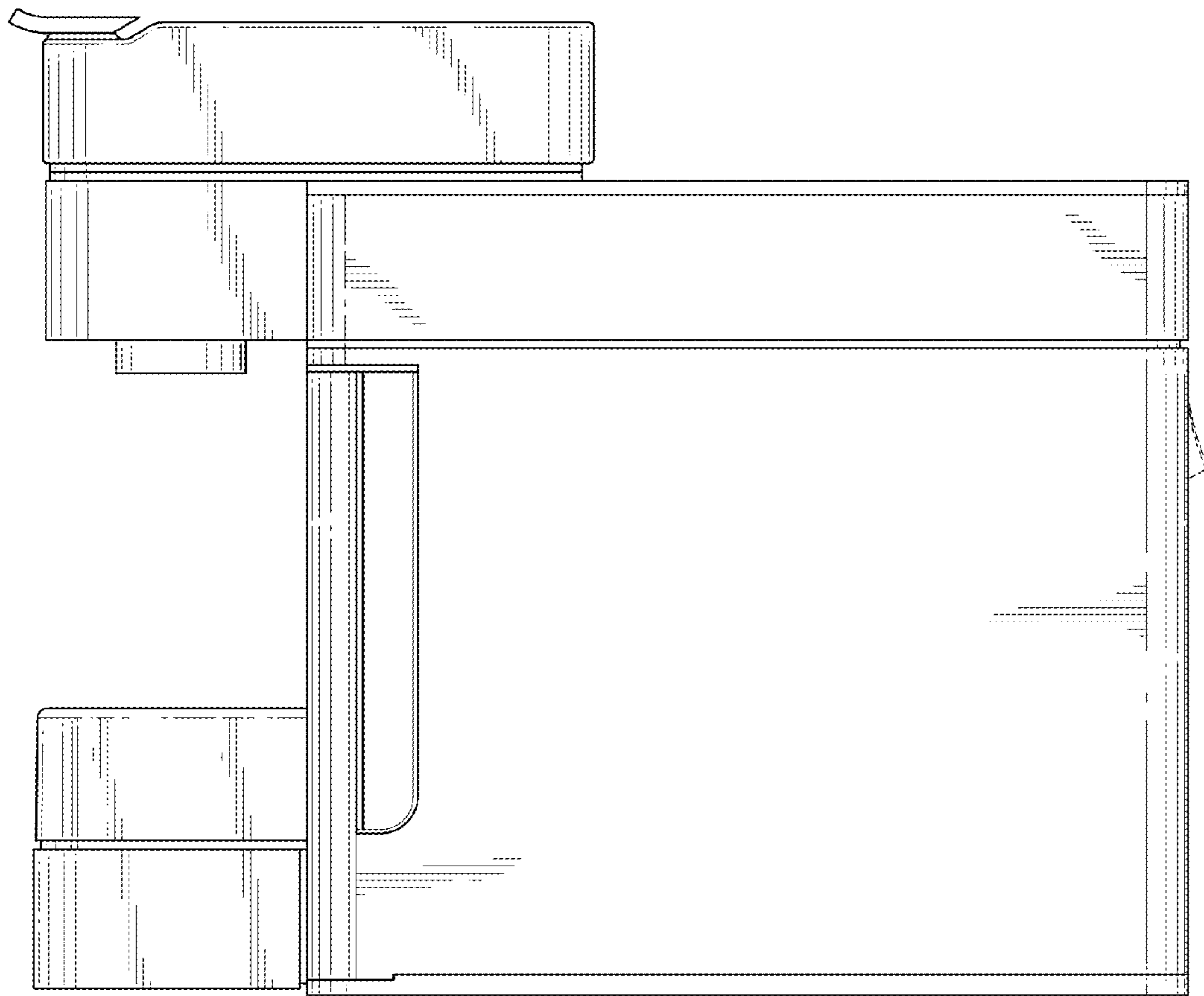


FIG. 5

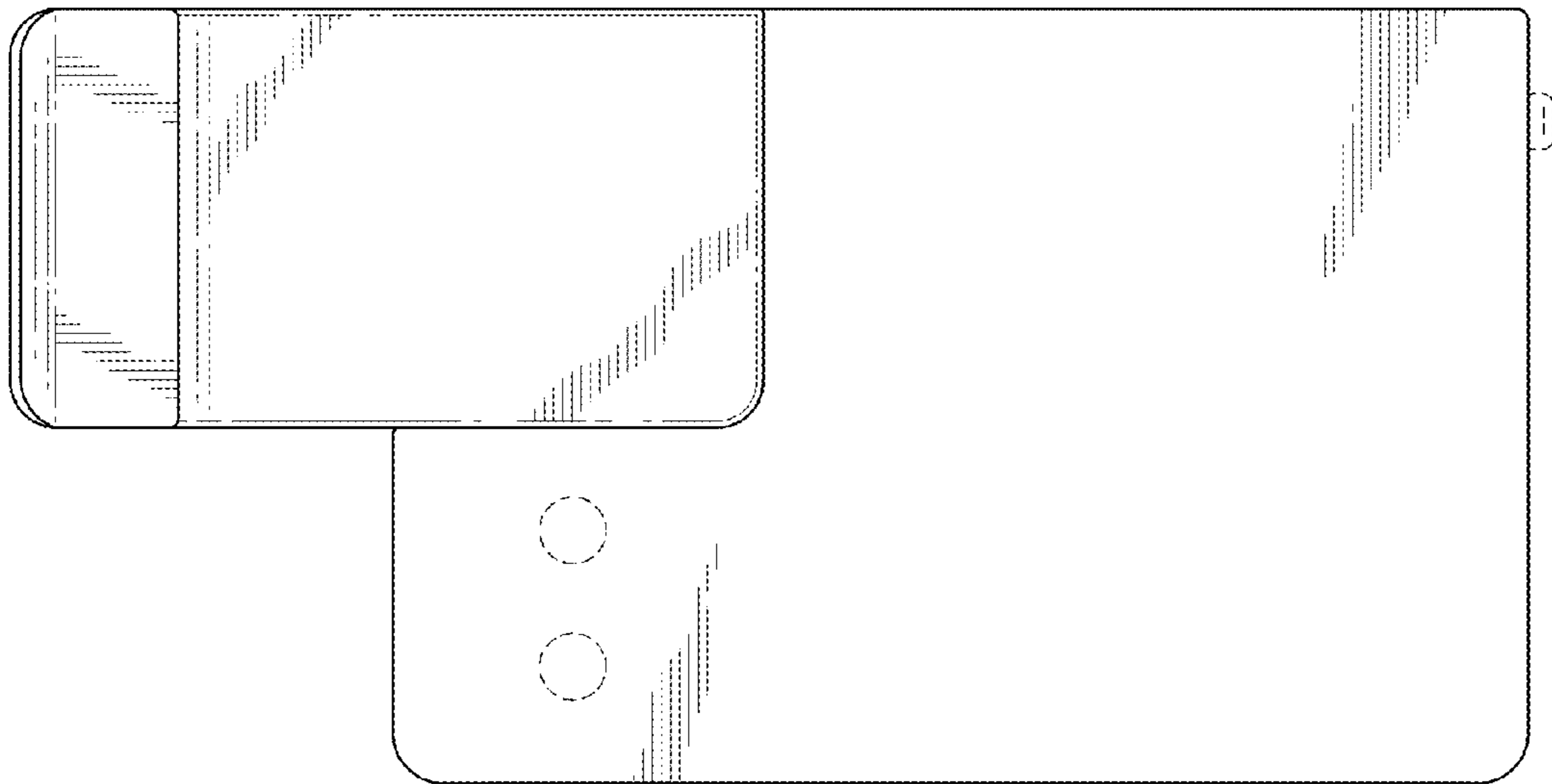


FIG. 6

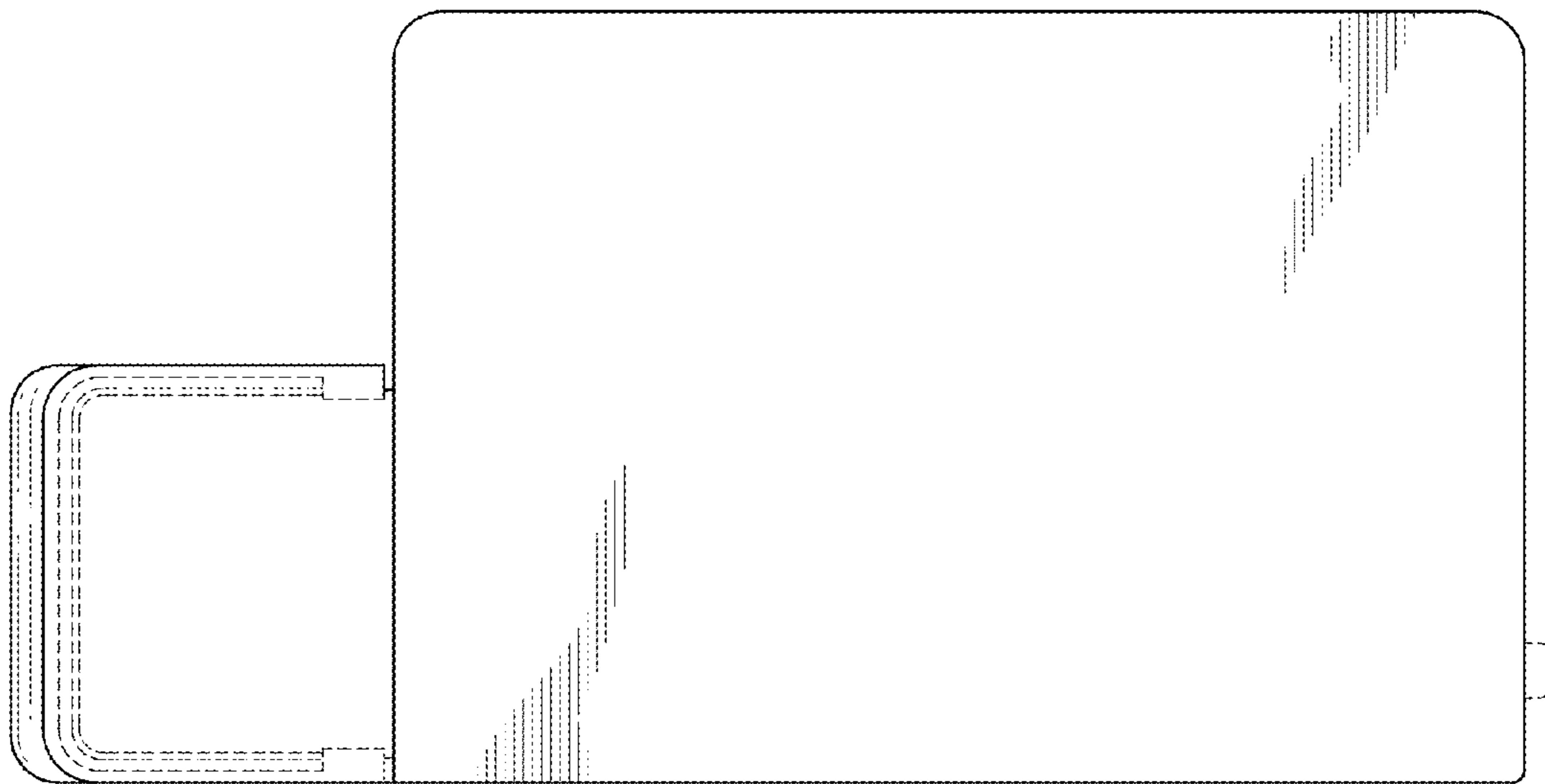


FIG. 7

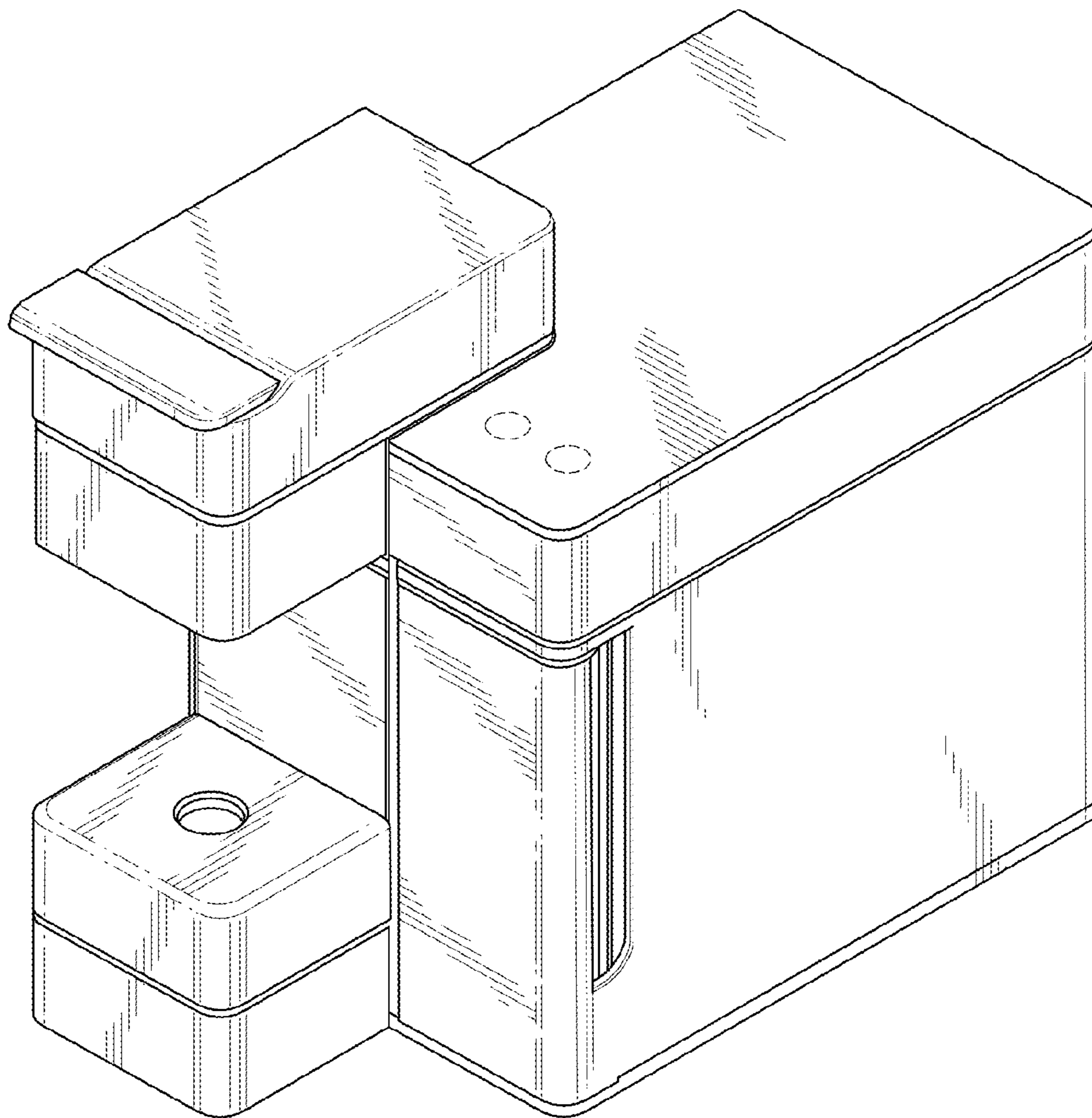


FIG.8