



US00D682598S

(12) **United States Design Patent**
Wu et al.

(10) **Patent No.:** **US D682,598 S**
(45) **Date of Patent:** **** May 21, 2013**

(54) **BEVERAGE MAKER**
(75) Inventors: **Guang Mu Wu**, Shanghai (CN); **Kai Miao Liu**, Shanghai (CN); **Qin Li**, Shanghai (CN); **Qiang Zhang**, Shanghai (CN); **Yi Bin Zhang**, Shanghai (CN); **Lars Lieberwirth**, Shanghai (CN); **Ryan Nelson MacRobbie**, Hampshire (GB)

D584,095 S 1/2009 Luippold
D587,510 S 3/2009 Lam
D602,303 S 10/2009 Cahen
D602,727 S 10/2009 Nicolini
D605,454 S 12/2009 Nicolini
D612,657 S 3/2010 Luippold et al.
D625,136 S 10/2010 Moriarty et al.
D637,859 S 5/2011 Orkney et al.
D649,826 S * 12/2011 Garman D7/309
D655,561 S 3/2012 Wang
D666,451 S * 9/2012 Cheng D7/309

(73) Assignee: **Mars Drinks UK Limited**, Slough, Berkshire (GB)

* cited by examiner

(**) Term: **14 Years**

Primary Examiner — Marianne Pandozzi
(74) *Attorney, Agent, or Firm* — Arent Fox LLP

(21) Appl. No.: **29/431,119**

(57) **CLAIM**

(22) Filed: **Sep. 4, 2012**

The ornamental design for a beverage maker, as shown and described.

Related U.S. Application Data

DESCRIPTION

(63) Continuation of application No. 29/396,464, filed on Jun. 30, 2011, now abandoned.

(51) **LOC (9) Cl.** **07-01**

(52) **U.S. Cl.**
USPC **D7/306; D7/309; D7/311**

(58) **Field of Classification Search** D7/309–311,
D7/306–308, 300; 99/300, 280, 295
See application file for complete search history.

FIG. 1 is a perspective view of a beverage maker showing our new design;
FIG. 2 is a front view of the design shown in FIG. 1;
FIG. 3 is a rear view of the design shown in FIG. 1;
FIG. 4 is a right side view of the design shown in FIG. 1;
FIG. 5 is a left side view of the design shown in FIG. 1;
FIG. 6 is a top view of the design shown in FIG. 1;
FIG. 7 is a bottom view of the design shown in FIG. 1; and,
FIG. 8 is an additional perspective view of the design shown in FIG. 1.

(56) **References Cited**

The broken line showing of supporting elements in FIGS. 2-5 and 7, and rear components in FIGS. 3-8, is included for the purpose of illustration and forms no part of the claimed design.

U.S. PATENT DOCUMENTS

D255,529 S 6/1980 Dziekonski
D514,867 S 2/2006 Steiner
7,252,035 B2 8/2007 Libn
D570,149 S 6/2008 Truong

1 Claim, 8 Drawing Sheets

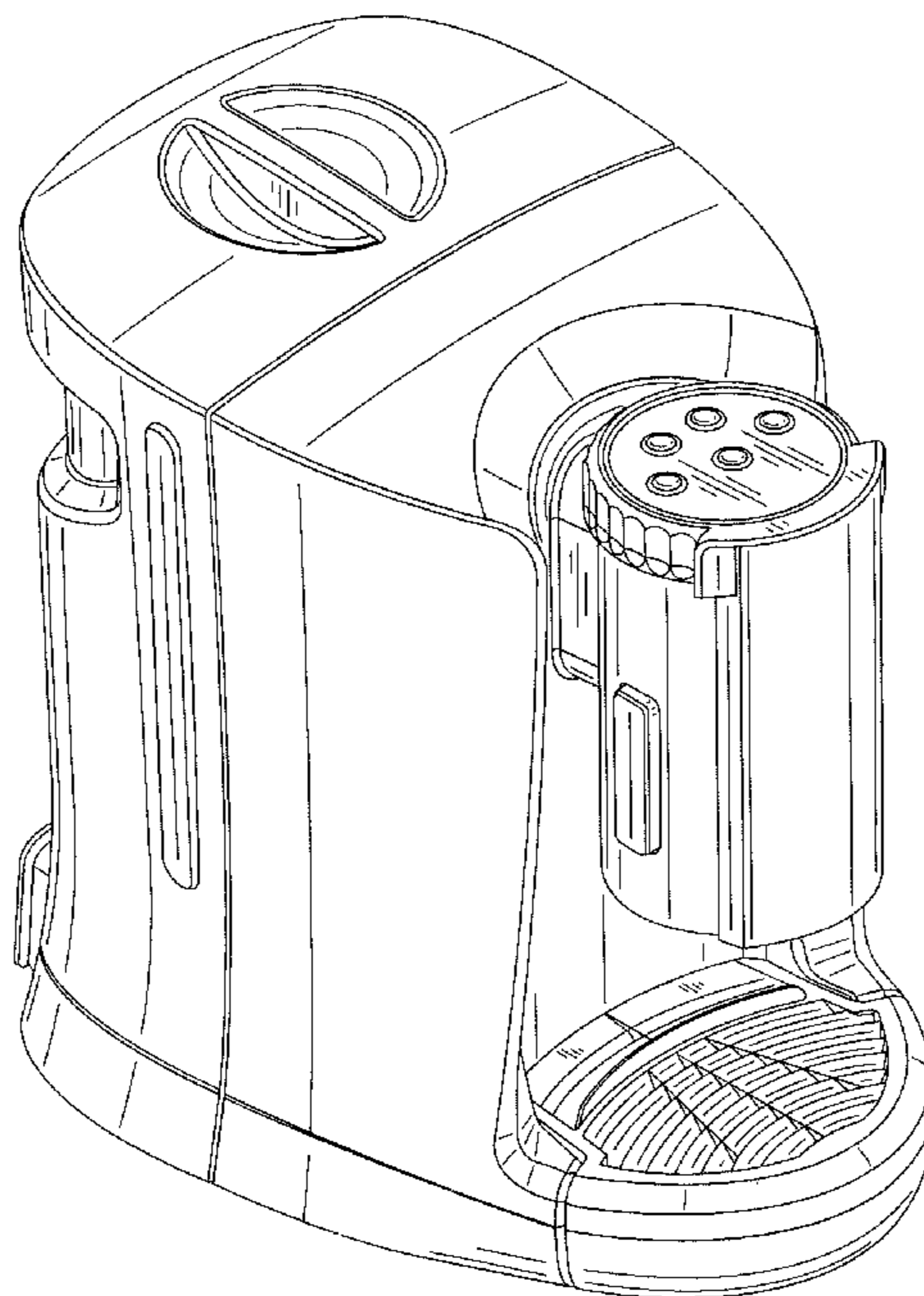


FIG. 1

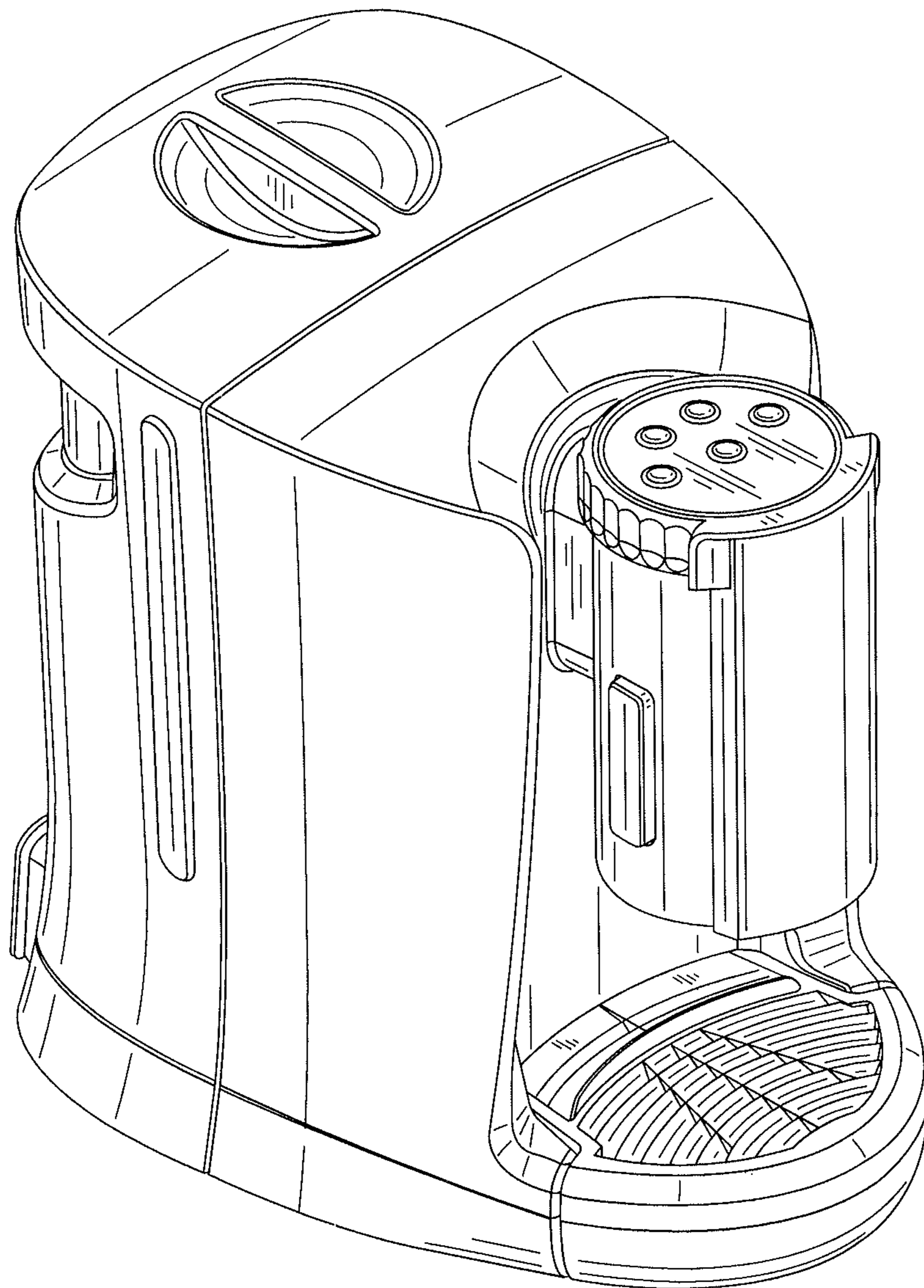


FIG. 2

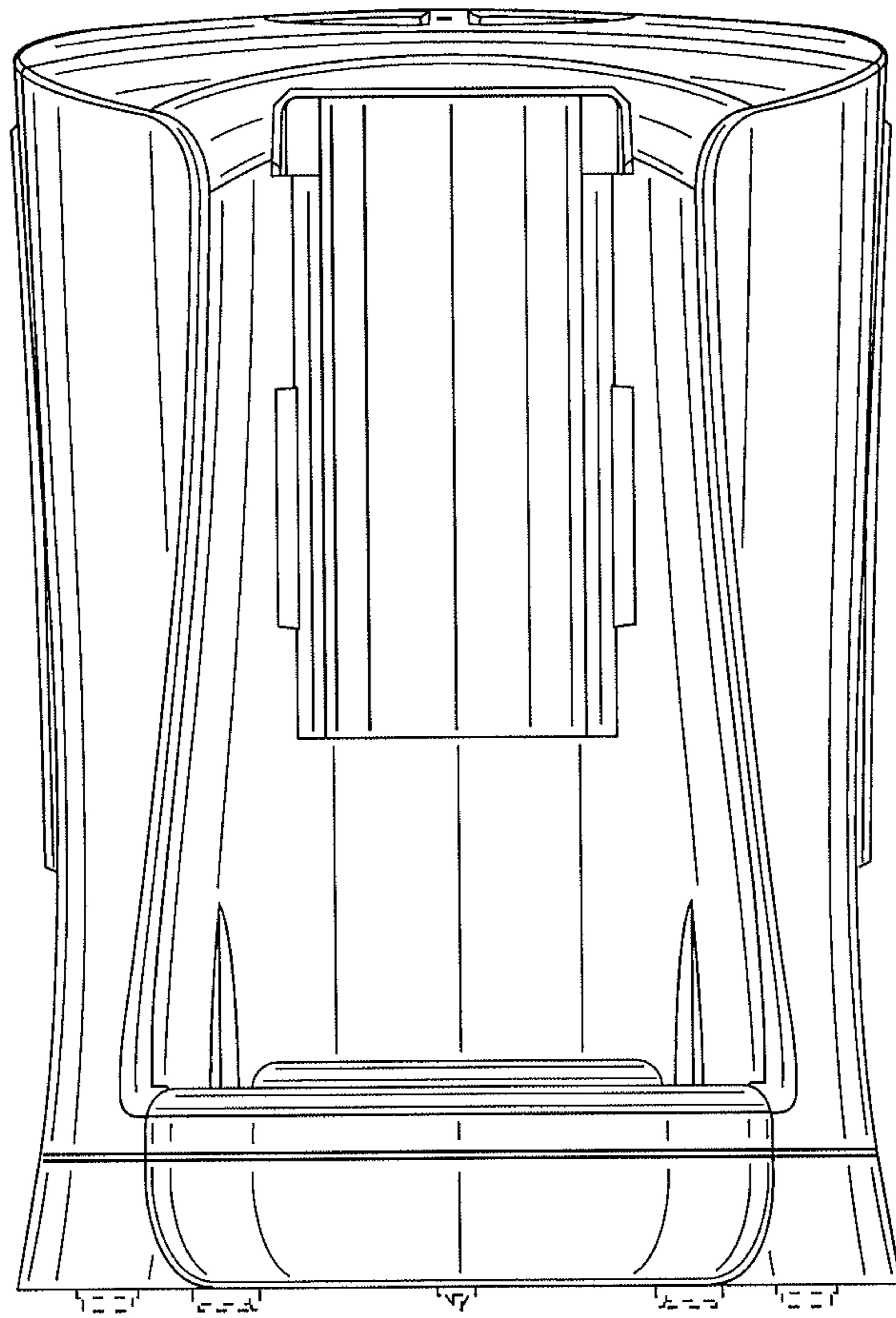


FIG. 3

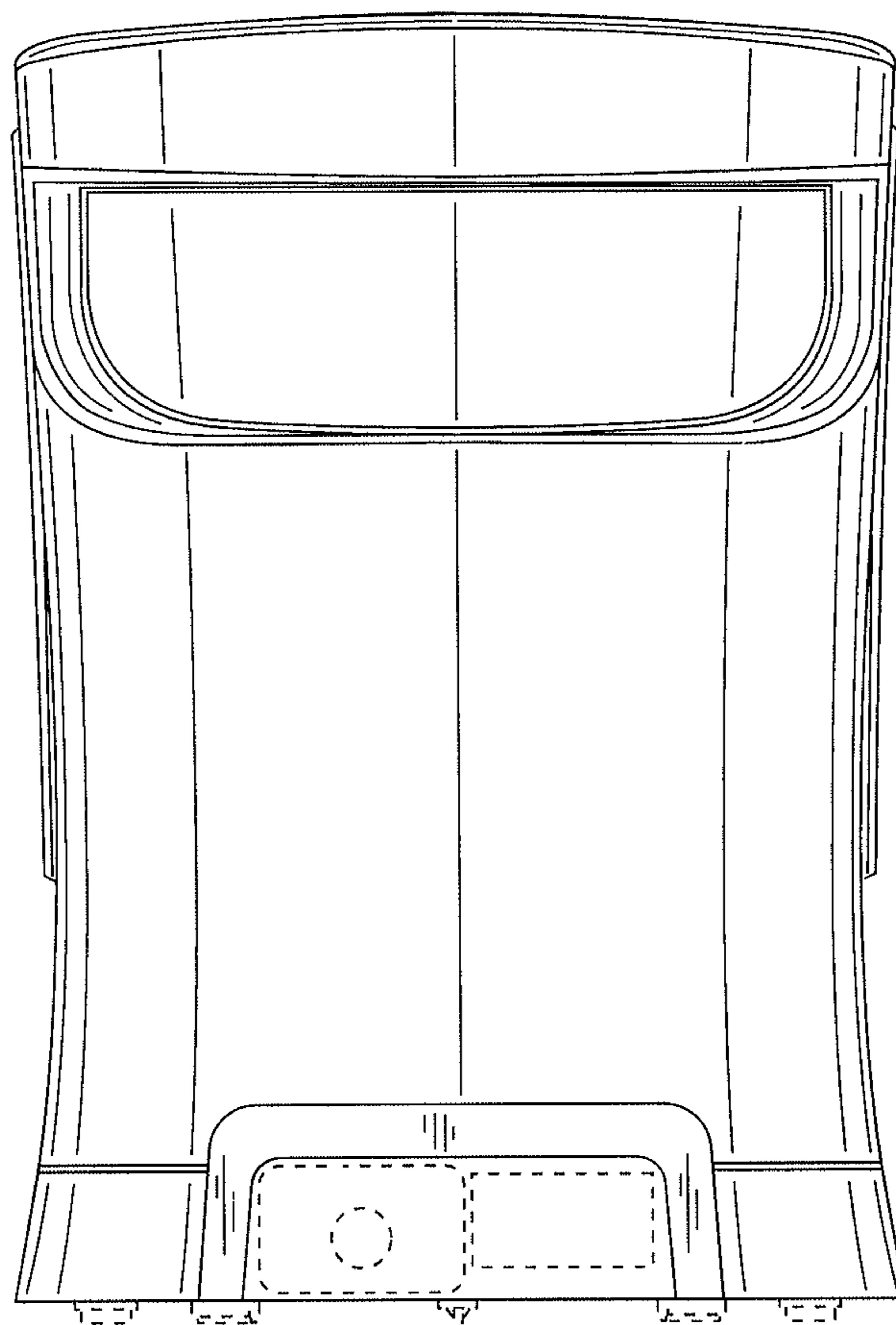


FIG. 4

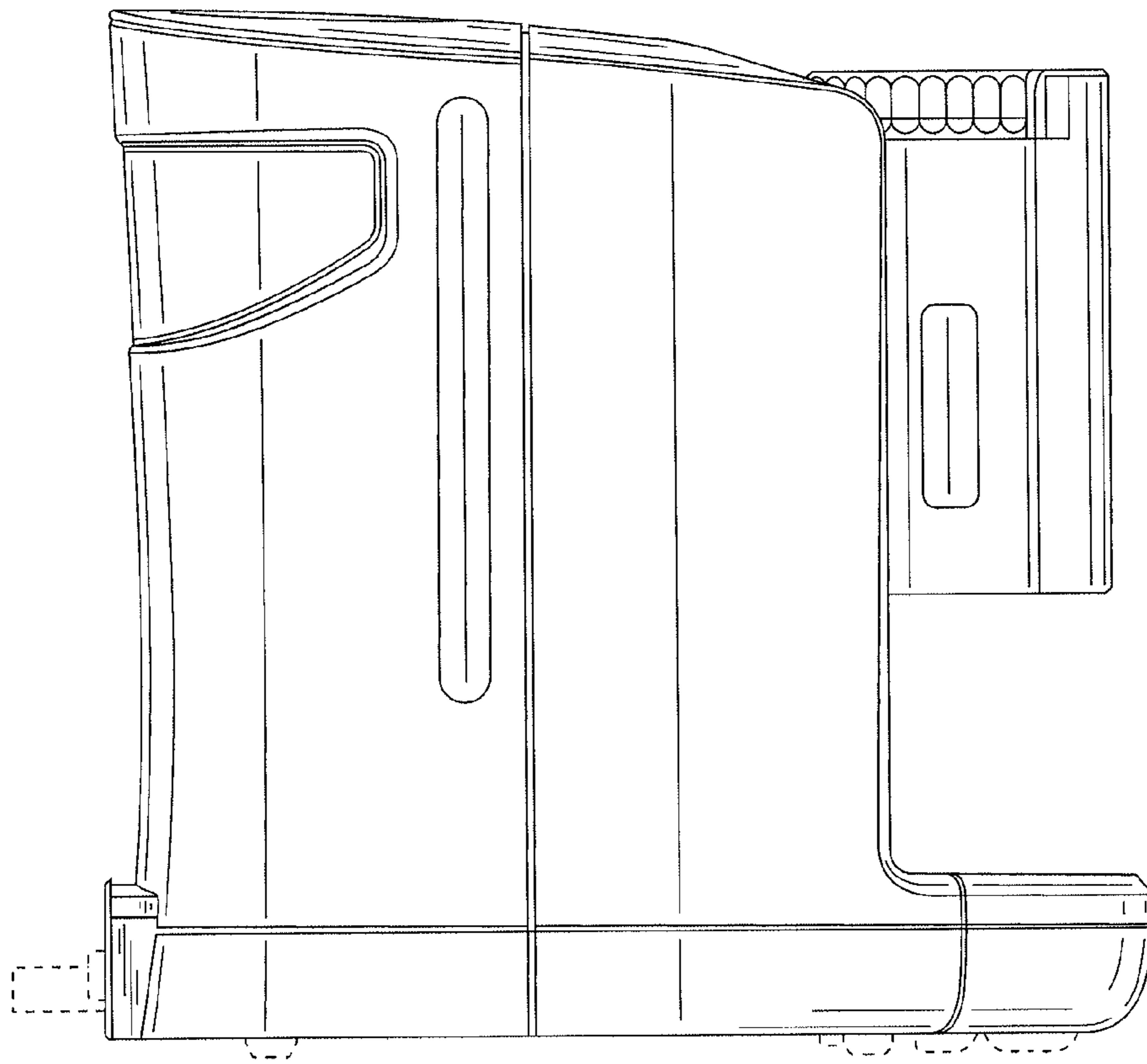


FIG. 5

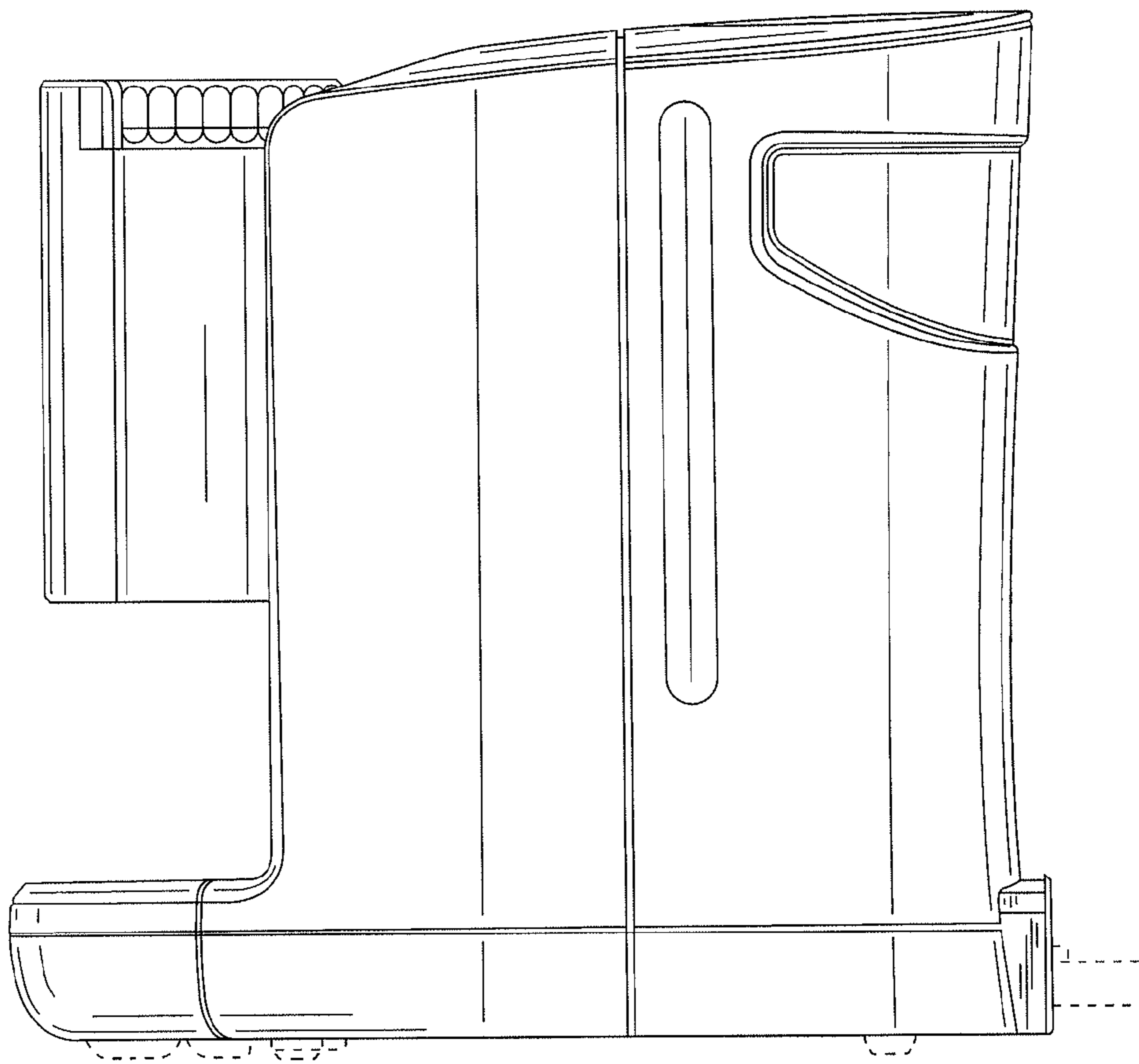


FIG. 6

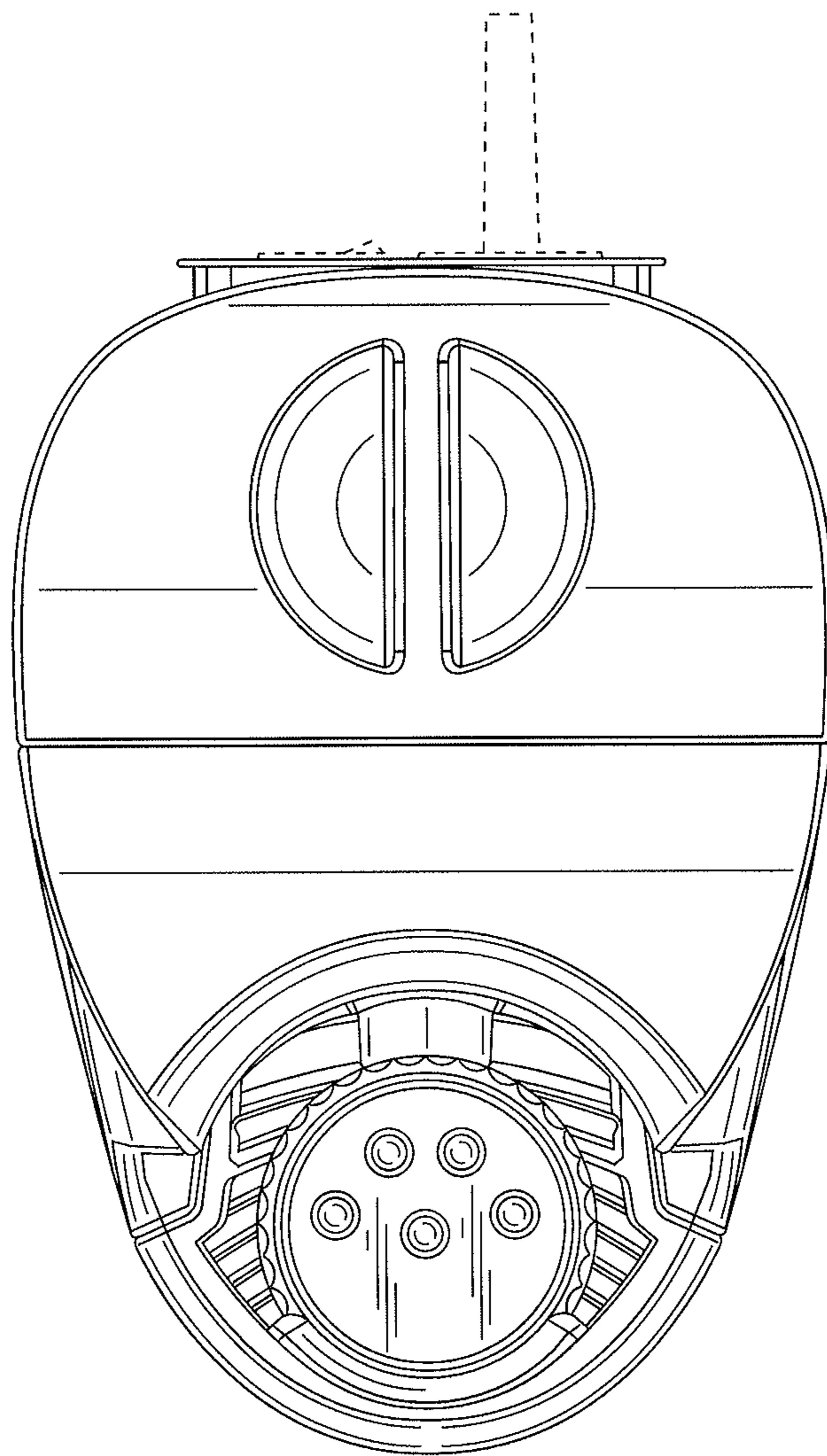


FIG. 7

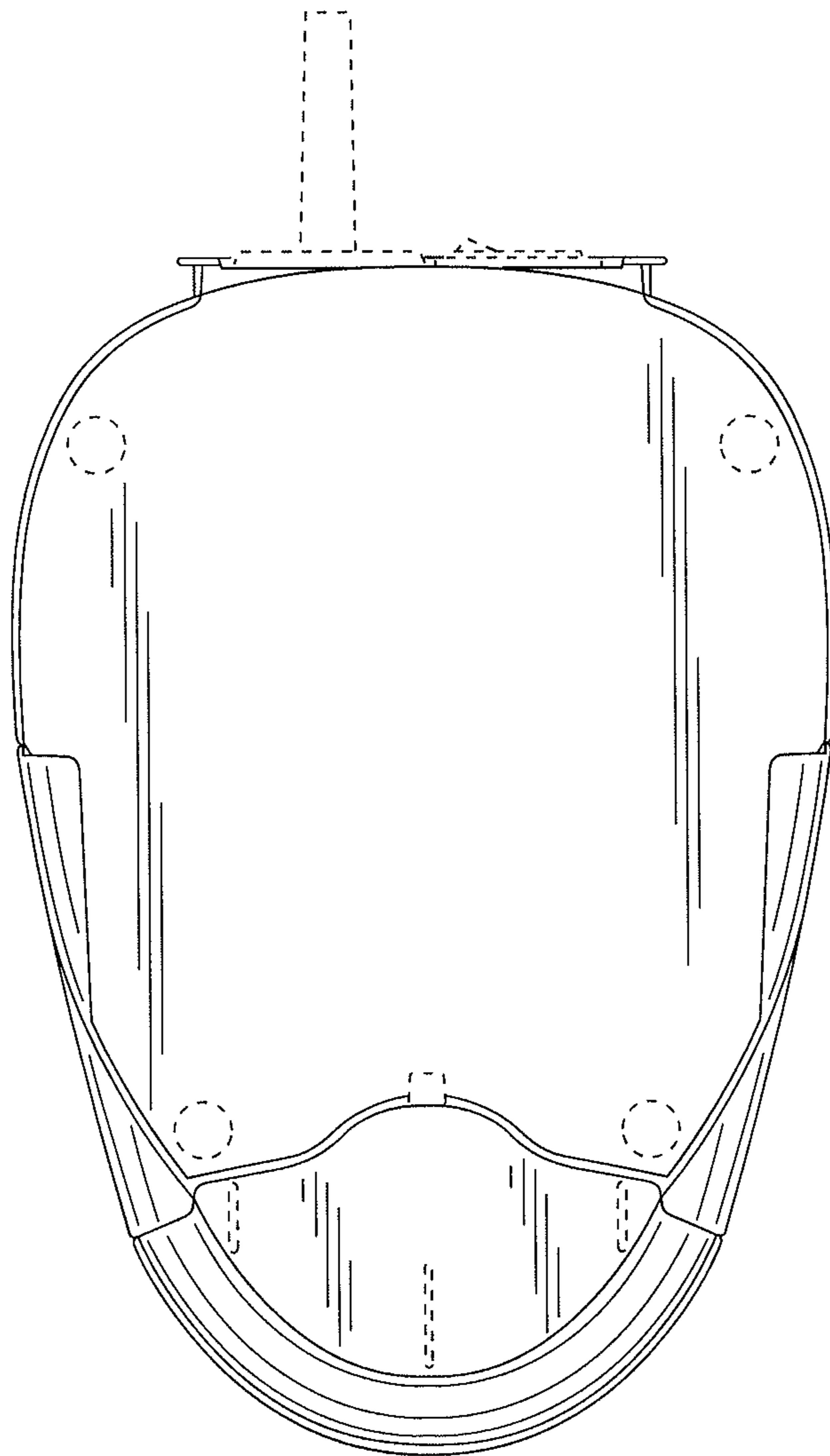


FIG. 8

