



US00D682595S

(12) **United States Design Patent**
Altier

(10) **Patent No.:** **US D682,595 S**

(45) **Date of Patent:** **** May 21, 2013**

(54) **PLAN STORAGE RACK**

(76) Inventor: **Joseph E. Altier**, Orlando, FL (US)

(**) Term: **14 Years**

(21) Appl. No.: **29/406,098**

(22) Filed: **Nov. 9, 2011**

(51) **LOC (9) Cl.** **06-06**

(52) **U.S. Cl.**
USPC **D6/682.2**

(58) **Field of Classification Search** D6/403,
D6/405, 449-450, 455, 457, 458-462, 466-469,
D6/552, 682, 682.2, 682.6, 677-677.3; D7/701,
D7/707-708; 220/23.83, 507; D9/341, 414,
D9/501, 517; 206/595-600, 386, 443
See application file for complete search history.

(56) **References Cited**

U.S. PATENT DOCUMENTS

449,734	A	4/1891	Eastman	
1,636,608	A *	7/1927	Kenyon, Jr. et al.	211/60.1
D120,875	S *	6/1940	Spanel	D6/457
D198,952	S *	8/1964	Mittelberger	D7/708
3,237,786	A *	3/1966	Milliken	206/597
3,388,807	A *	6/1968	Emmitt	211/74
3,638,790	A *	2/1972	Schmid et al.	206/446
D248,267	S	6/1978	Mitchell	
D251,049	S	2/1979	Gardner	
D252,004	S	6/1979	Leventhal	
4,179,033	A	12/1979	Mitchell	
4,250,687	A *	2/1981	Lueneberg et al.	53/435
D295,704	S	5/1988	Despres	
D362,022	S	9/1995	Larson	
5,544,764	A	8/1996	Cima	

5,617,960	A	4/1997	Bishop	
D399,672	S	10/1998	Boeger	
D412,798	S	8/1999	Lewis, Sr.	
D494,384	S *	8/2004	Chandaria	D6/468
D502,822	S *	3/2005	Chandaria	D6/468
7,131,544	B1 *	11/2006	Cunningham	211/74
D557,937	S *	12/2007	Hafif	D6/469

* cited by examiner

Primary Examiner — Kelley Donnelly

(74) *Attorney, Agent, or Firm* — QuickPatents; Kevin Prince

(57) **CLAIM**

I claim the ornamental design for a plan storage rack, as shown and described.

DESCRIPTION

FIG. 1 is a perspective view of a plan storage rack, showing my new design;

FIG. 2 is a front elevational view thereof, the rear elevational view being a mirror image thereof;

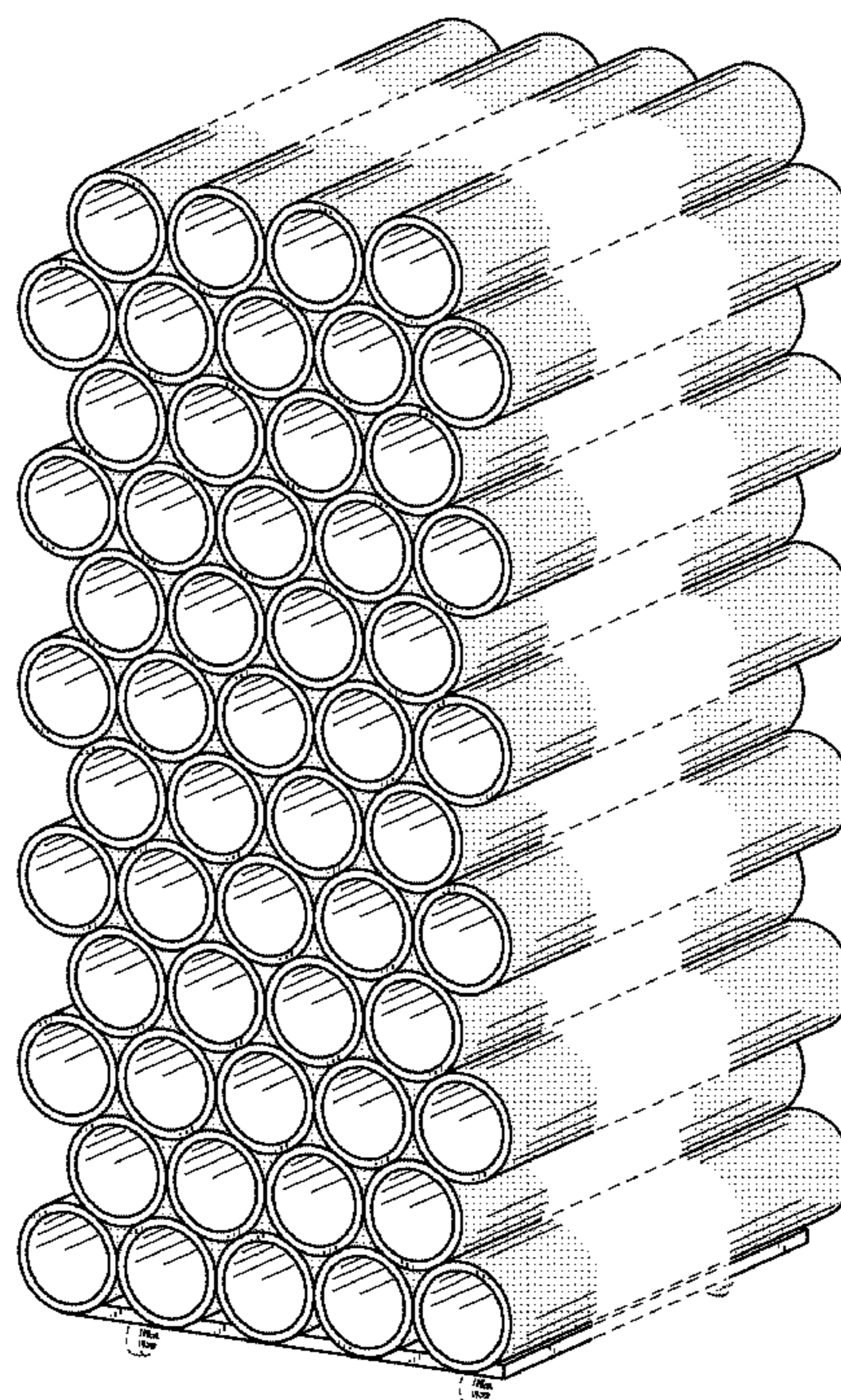
FIG. 3 is a left-side elevational view thereof, the right-side elevational view being a mirror image thereof;

FIG. 4 is a top plan view thereof; and,

FIG. 5 is a bottom plan view thereof.

The broken lines showing wheels in the figures depict environmental matter and form no part of the claimed design. The remaining broken lines depict tubes and a base of indeterminate depth. The shading on the outside of the cylinders designates a contrasting color to the inside surfaces of the cylinders.

1 Claim, 3 Drawing Sheets



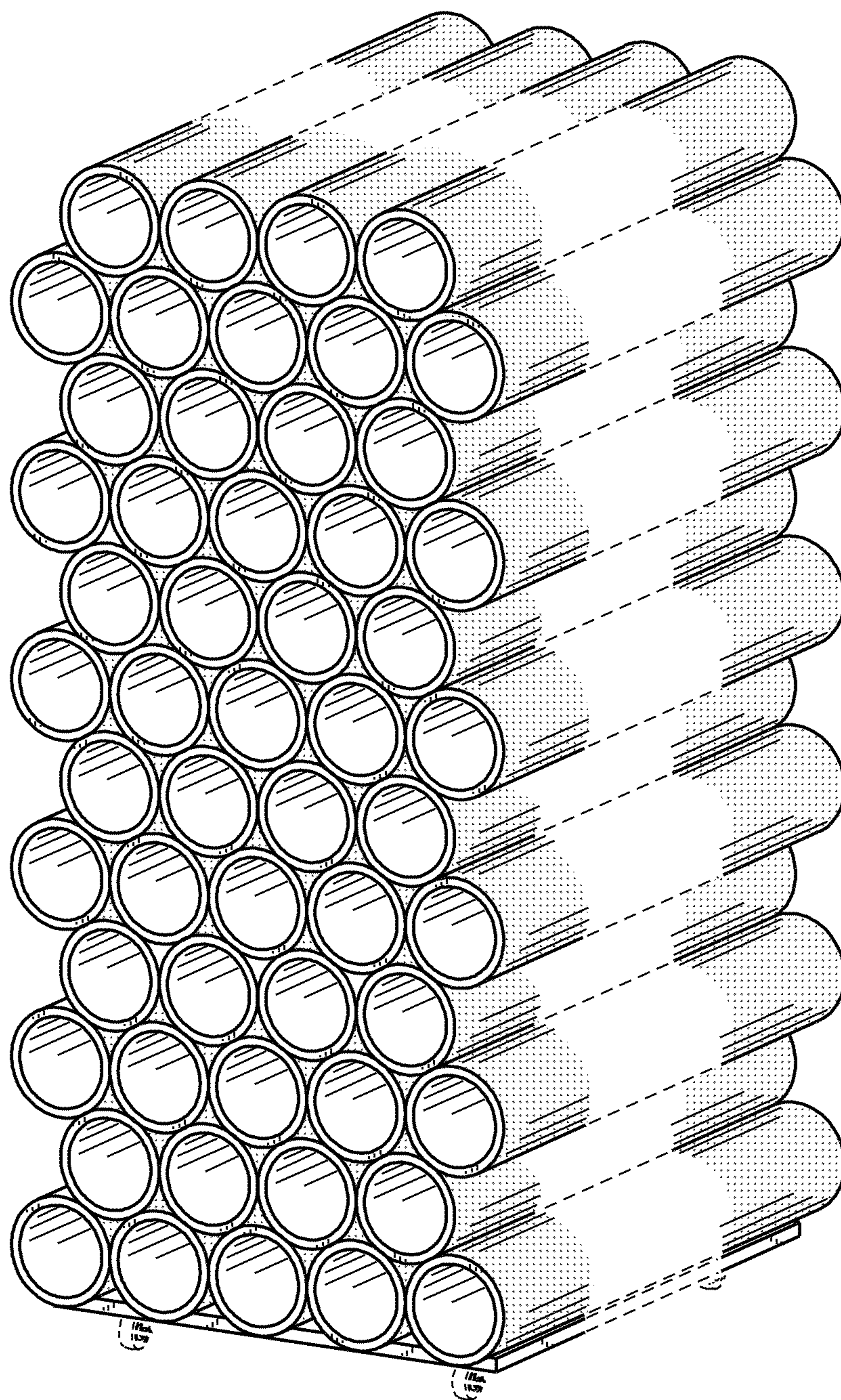


FIG. 1

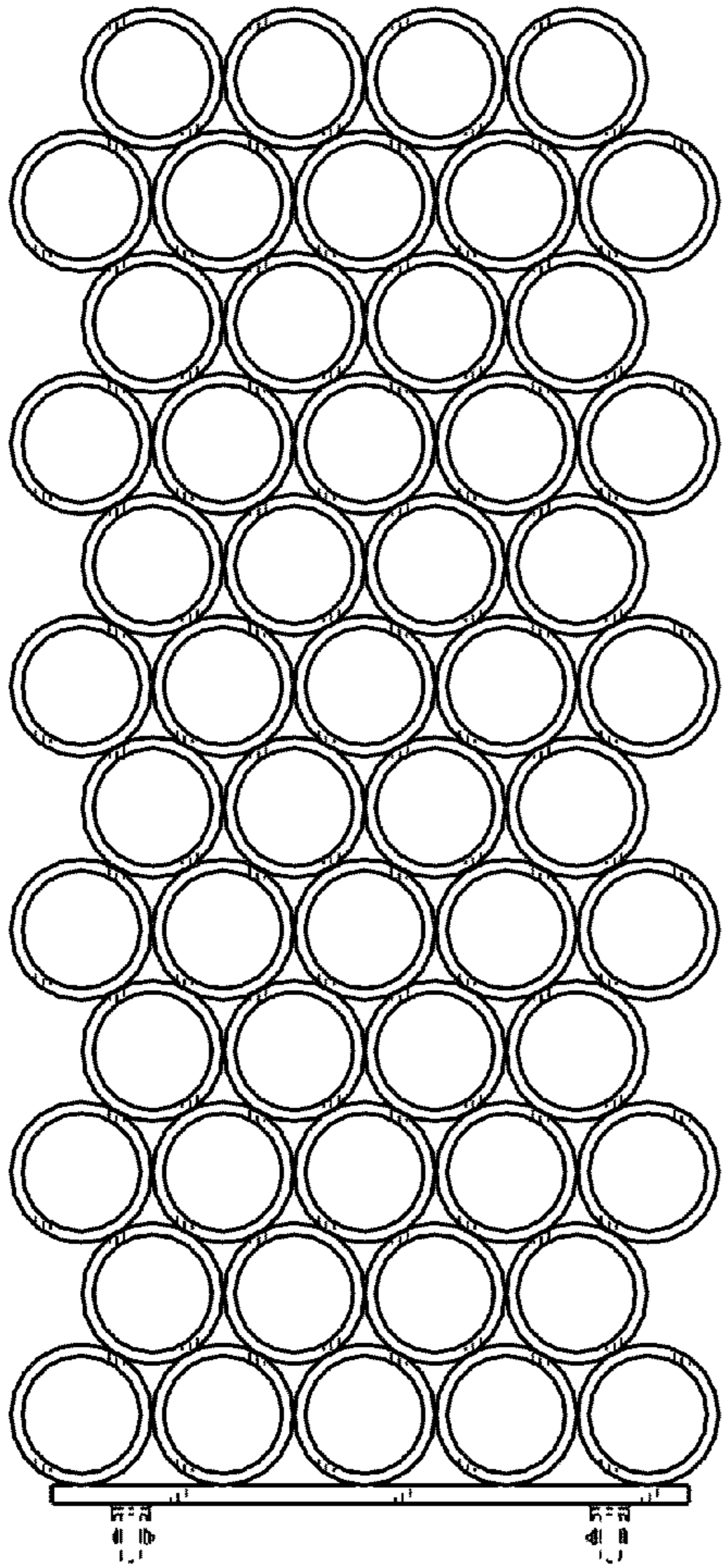


FIG. 2

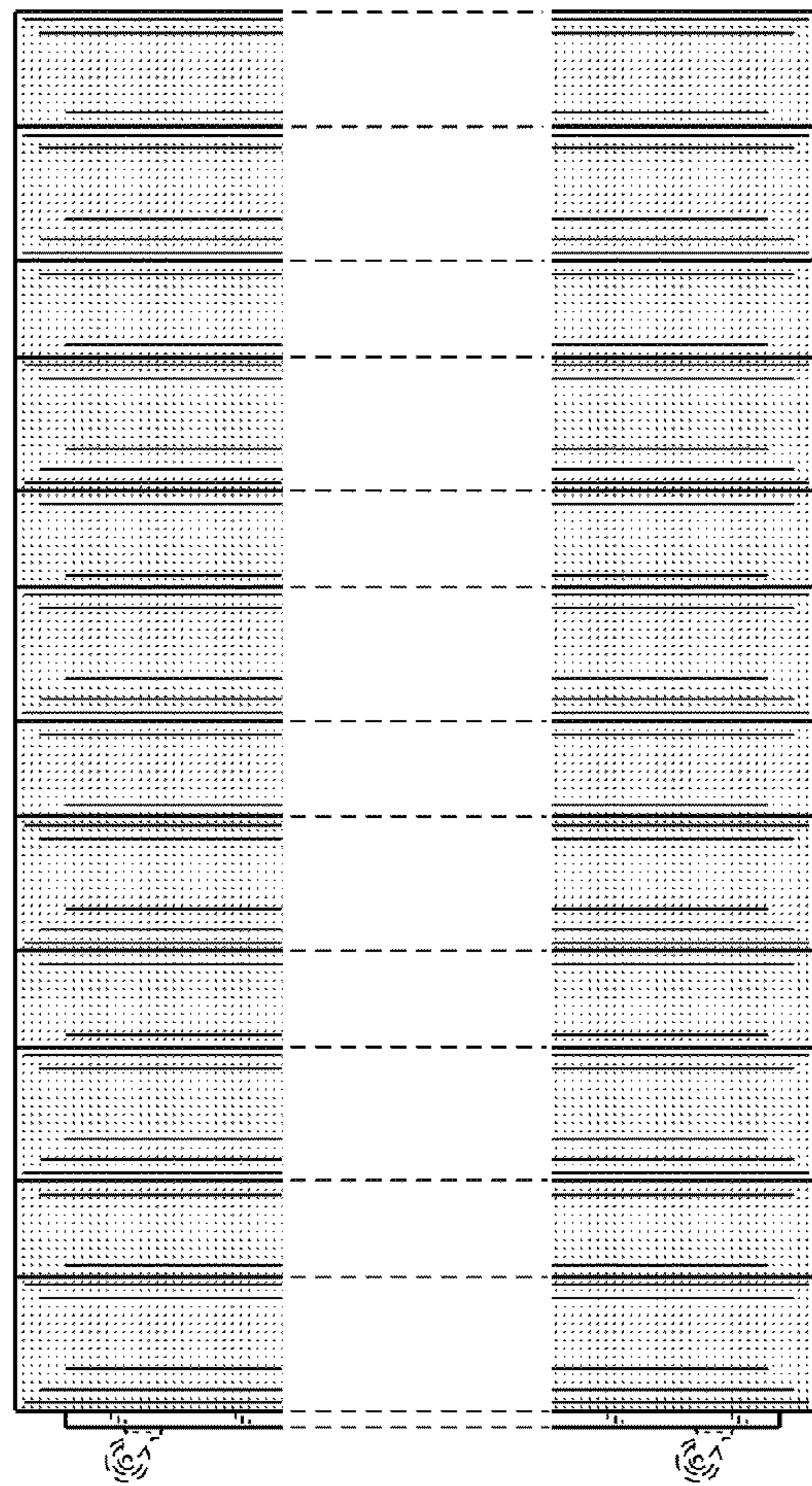


FIG. 3

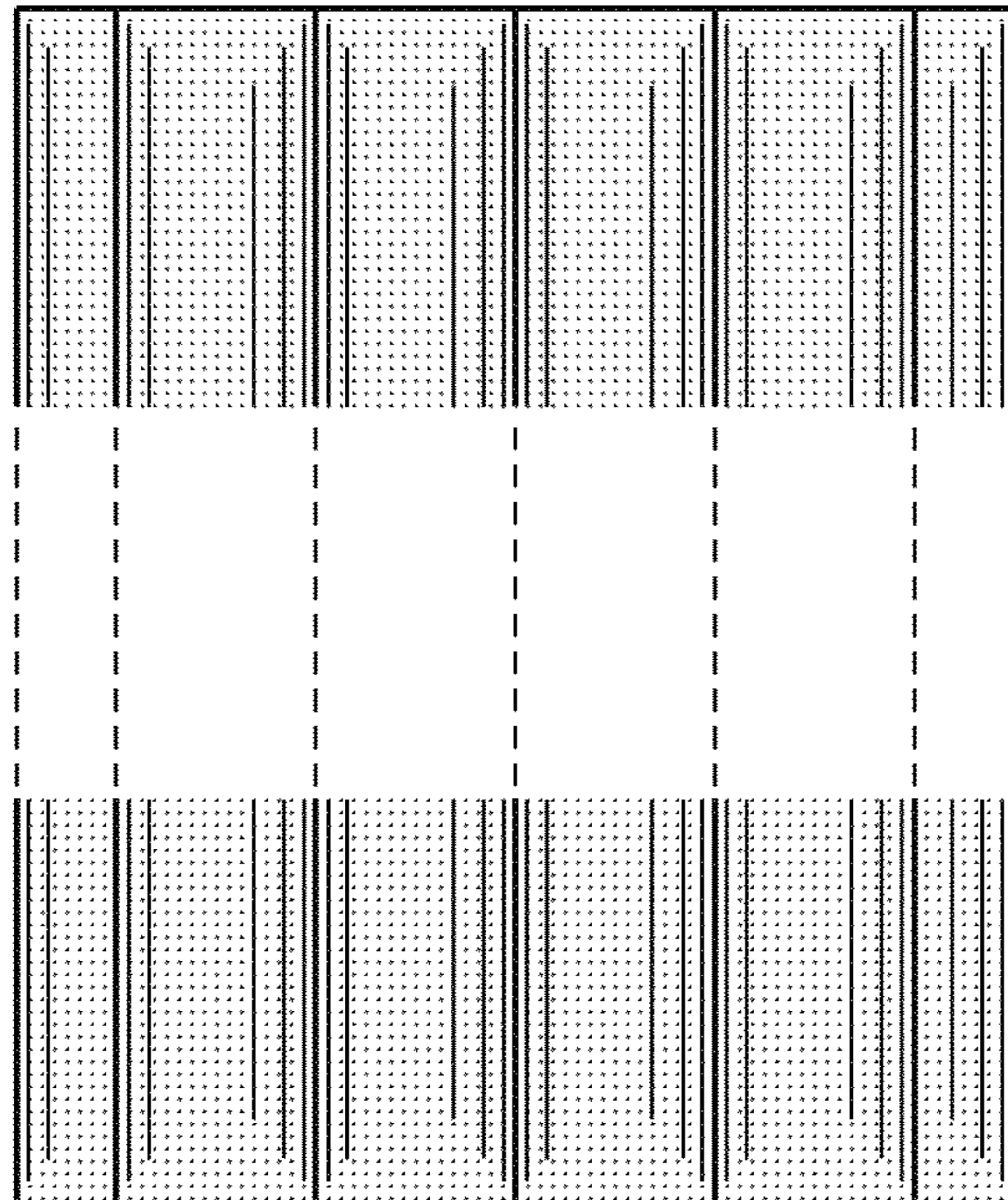


FIG. 4

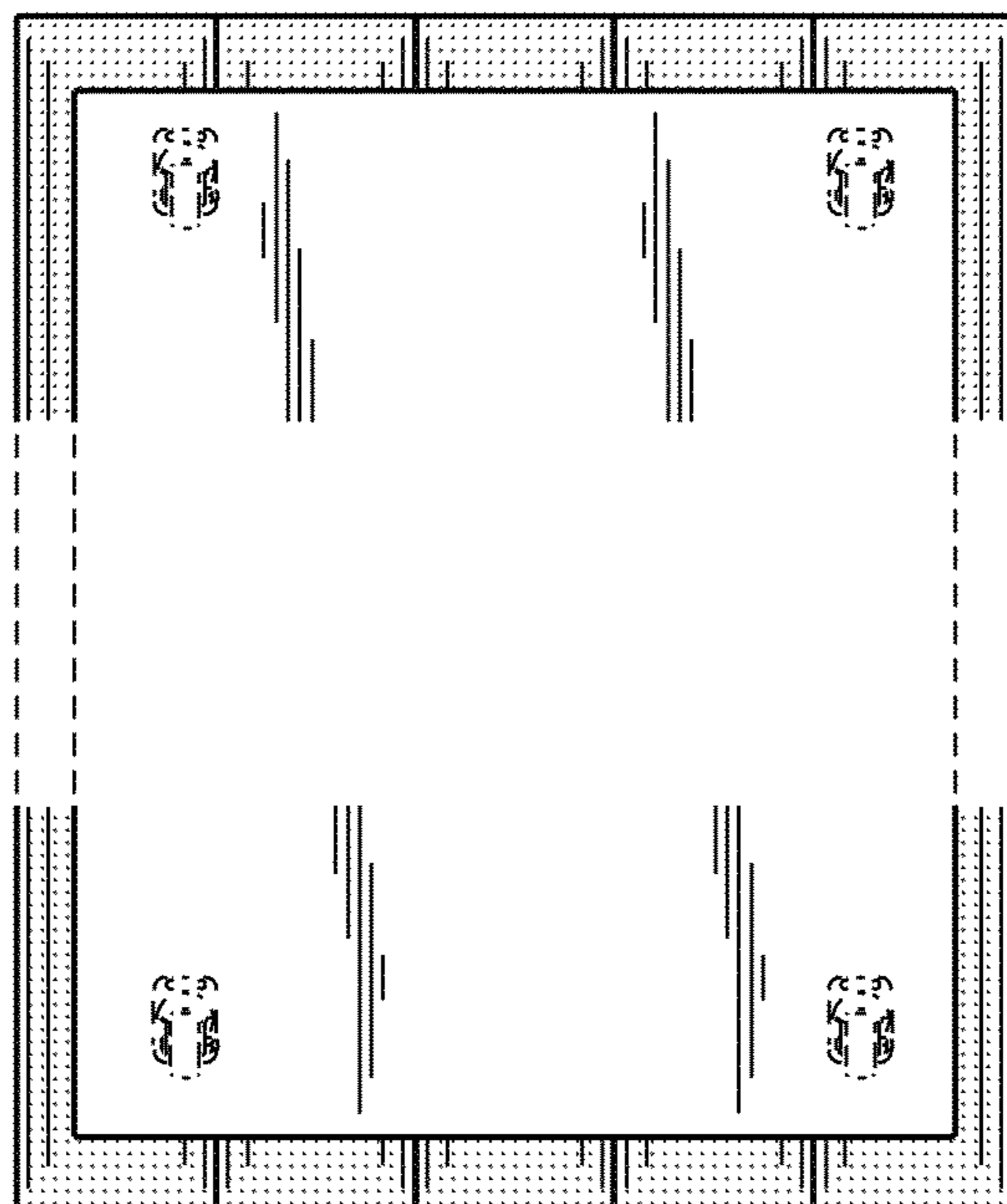


FIG. 5