



US00D682593S

(12) **United States Design Patent**  
**Gilboe et al.**

(10) **Patent No.:** **US D682,593 S**

(45) **Date of Patent:** **\*\* May 21, 2013**

(54) **CORNER CADDY**

(75) Inventors: **Kevin J. Gilboe**, Woodbury, MN (US);  
**Angela L. Pan**, Woodbury, MN (US);  
**Craig D. Thompson**, Inver Grove Heights, MN (US); **Matthew J. Nettenstrom**, Streamwood, IL (US); **Justin B. Peart**, Lisle, IL (US); **Jeremy A. Abel**, Oswego, IL (US); **Thomas M. McKeon**, Wheaton, IL (US)

(73) Assignee: **3M Innovative Properties Company**, St. Paul, MN (US)

(\*\*) Term: **14 Years**

(21) Appl. No.: **29/423,907**

(22) Filed: **Jun. 6, 2012**

(51) **LOC (9) Cl.** ..... **06-04**

(52) **U.S. Cl.**  
USPC ..... **D6/562**

(58) **Field of Classification Search** ..... D6/524,  
D6/525, 562, 574, 540; 108/59; 211/13.1,  
211/86.01, 87.01, 88.01, 126.1, 106, 134,  
211/126.9, 153, 182

See application file for complete search history.

(56) **References Cited**

U.S. PATENT DOCUMENTS

D175,229 S \* 7/1955 Neufeld ..... D6/562  
D307,222 S \* 4/1990 Korpijaako et al. .... D6/562

D417,107 S \* 11/1999 Patel et al. .... D6/562  
D429,934 S \* 8/2000 Hofman ..... D6/562  
D453,268 S \* 2/2002 Snell ..... D6/562  
D543,748 S \* 6/2007 Harwanko ..... D6/562  
D654,745 S \* 2/2012 Chuang ..... D6/562

\* cited by examiner

*Primary Examiner* — Brian N Vinson

(74) *Attorney, Agent, or Firm* — Irina Hass

(57) **CLAIM**

The ornamental design for a corner caddy, as shown and described.

**DESCRIPTION**

FIG. 1 is a perspective view showing the new design for a corner caddy;

FIG. 2 is a front view thereof;

FIG. 3 is a rear view thereof;

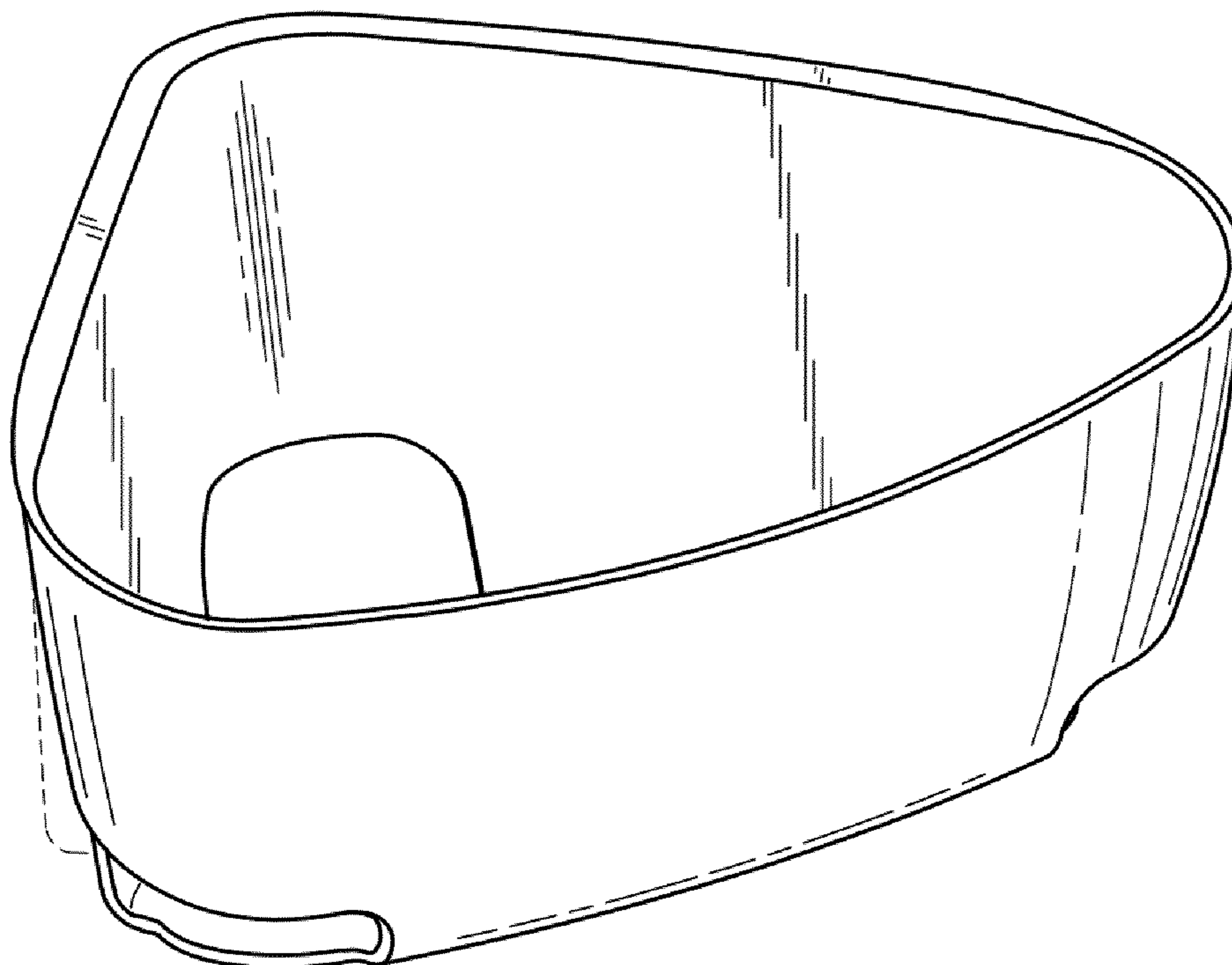
FIG. 4 is a top view thereof;

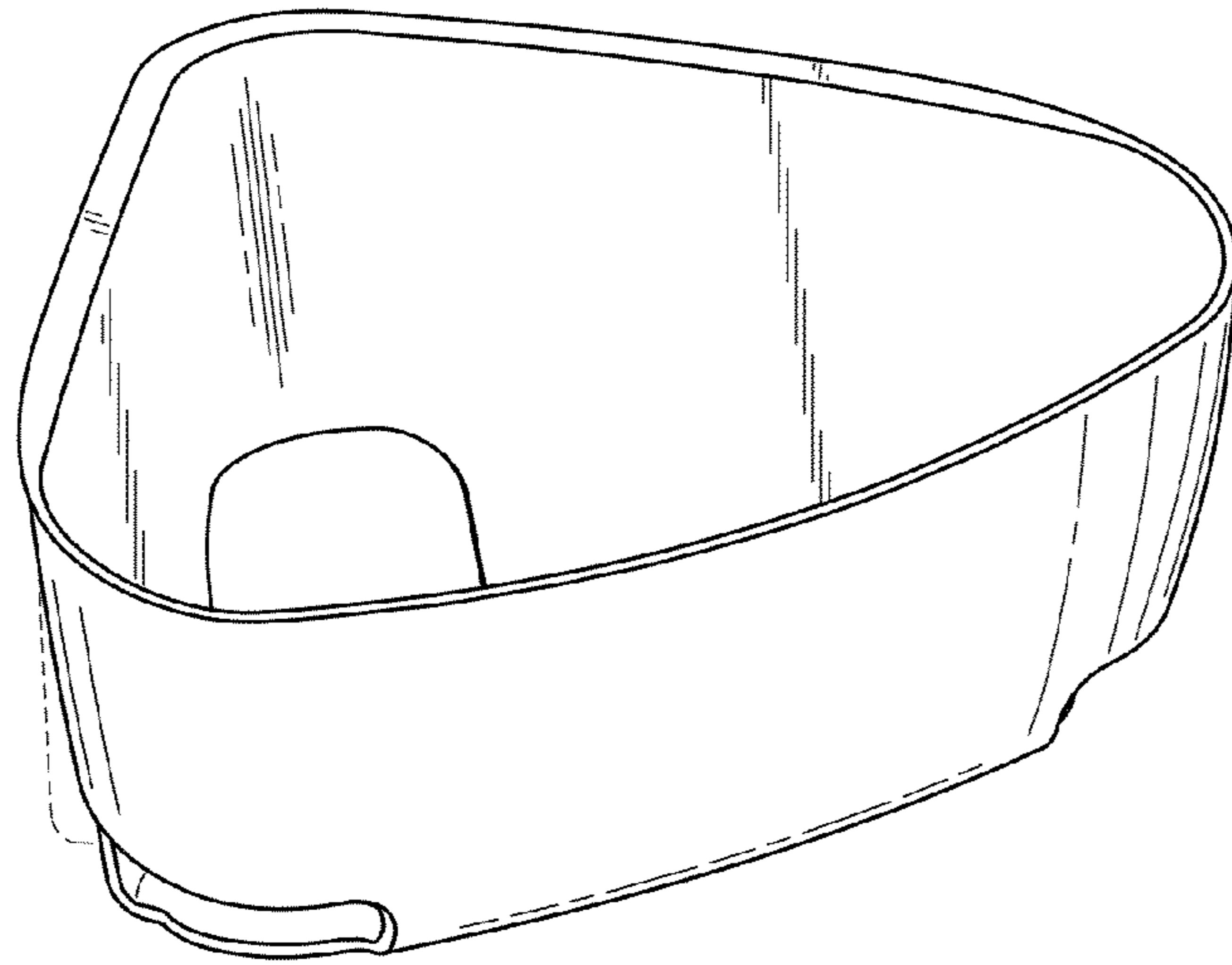
FIG. 5 is a bottom view thereof; and,

FIG. 6 is a left side view thereof, a right side view being a mirror image thereof.

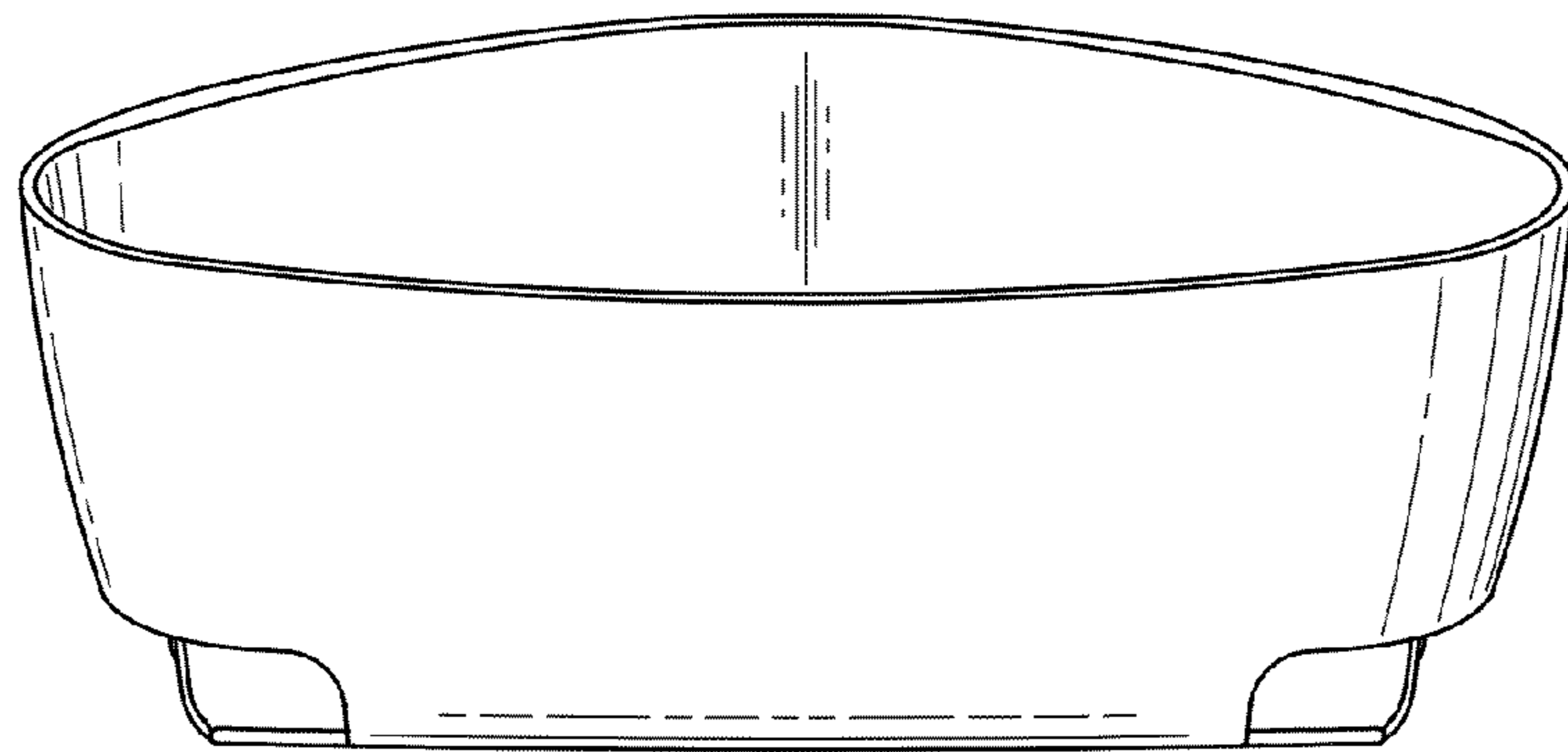
The broken lines in the drawings are shown for illustrative purposes only and form no part of the claimed design. In addition, the surface shading illustrated in the drawings is provided merely to highlight the contour of design; it is not intended to be illustrative of texture or gloss.

**1 Claim, 2 Drawing Sheets**

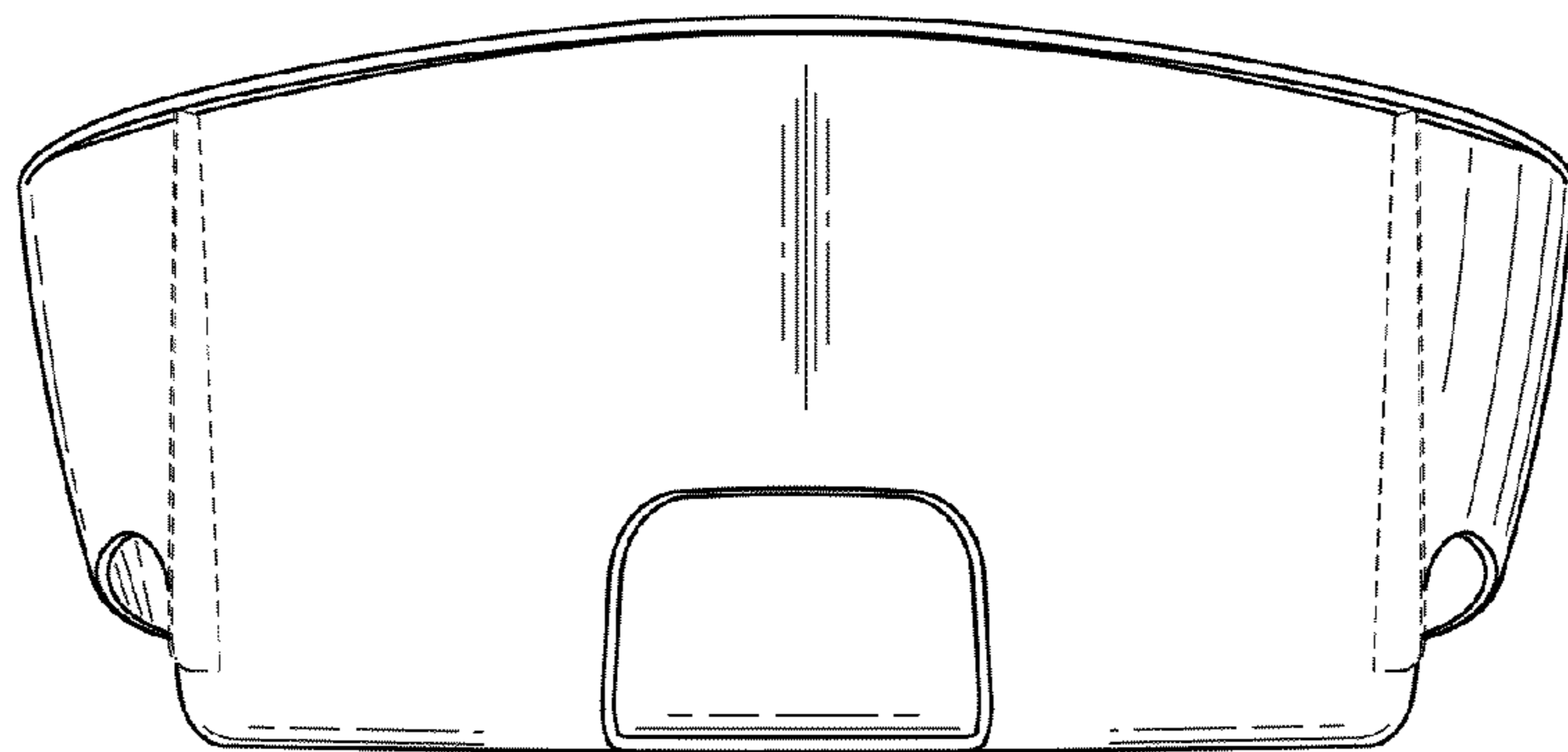




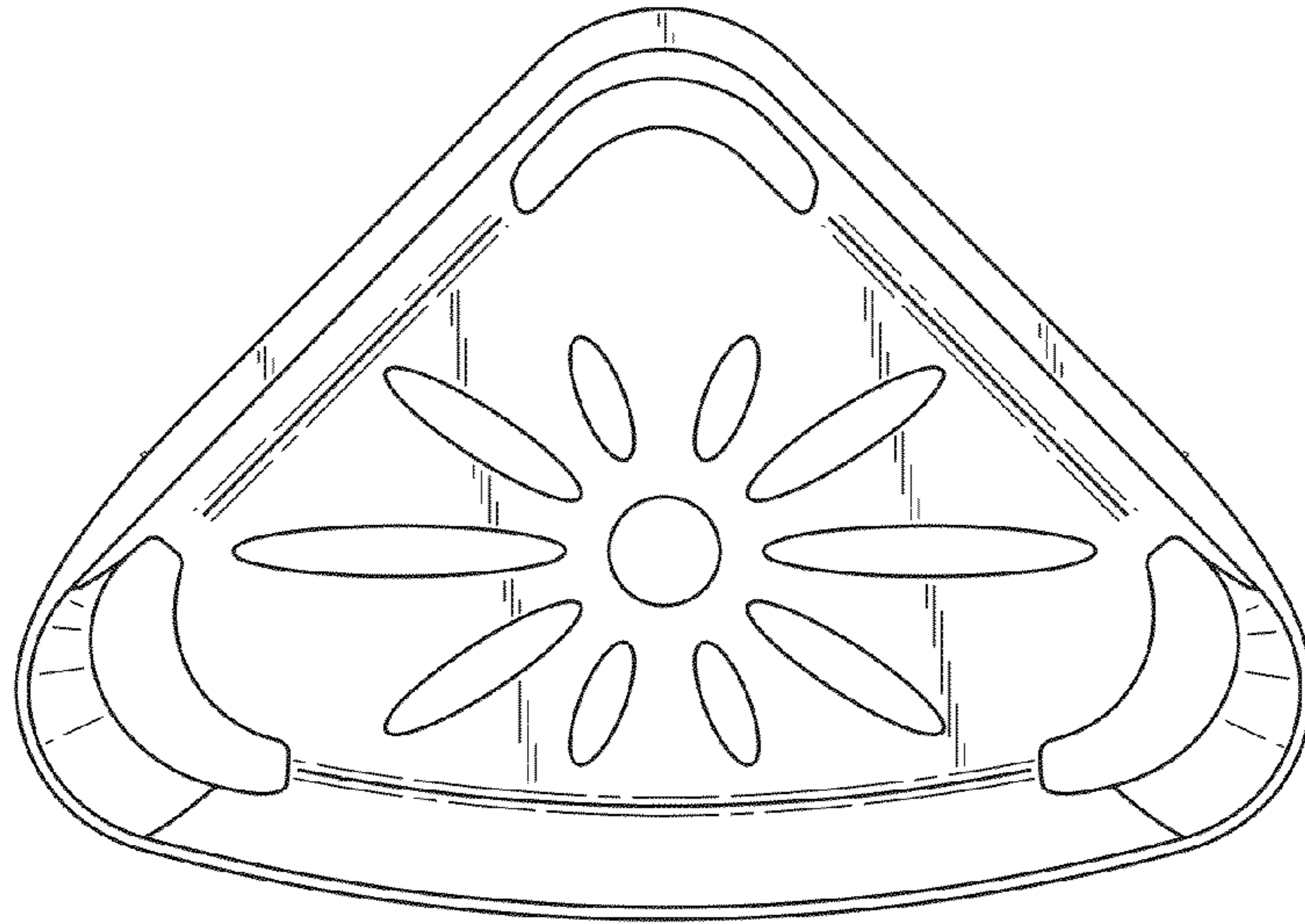
*Fig. 1*



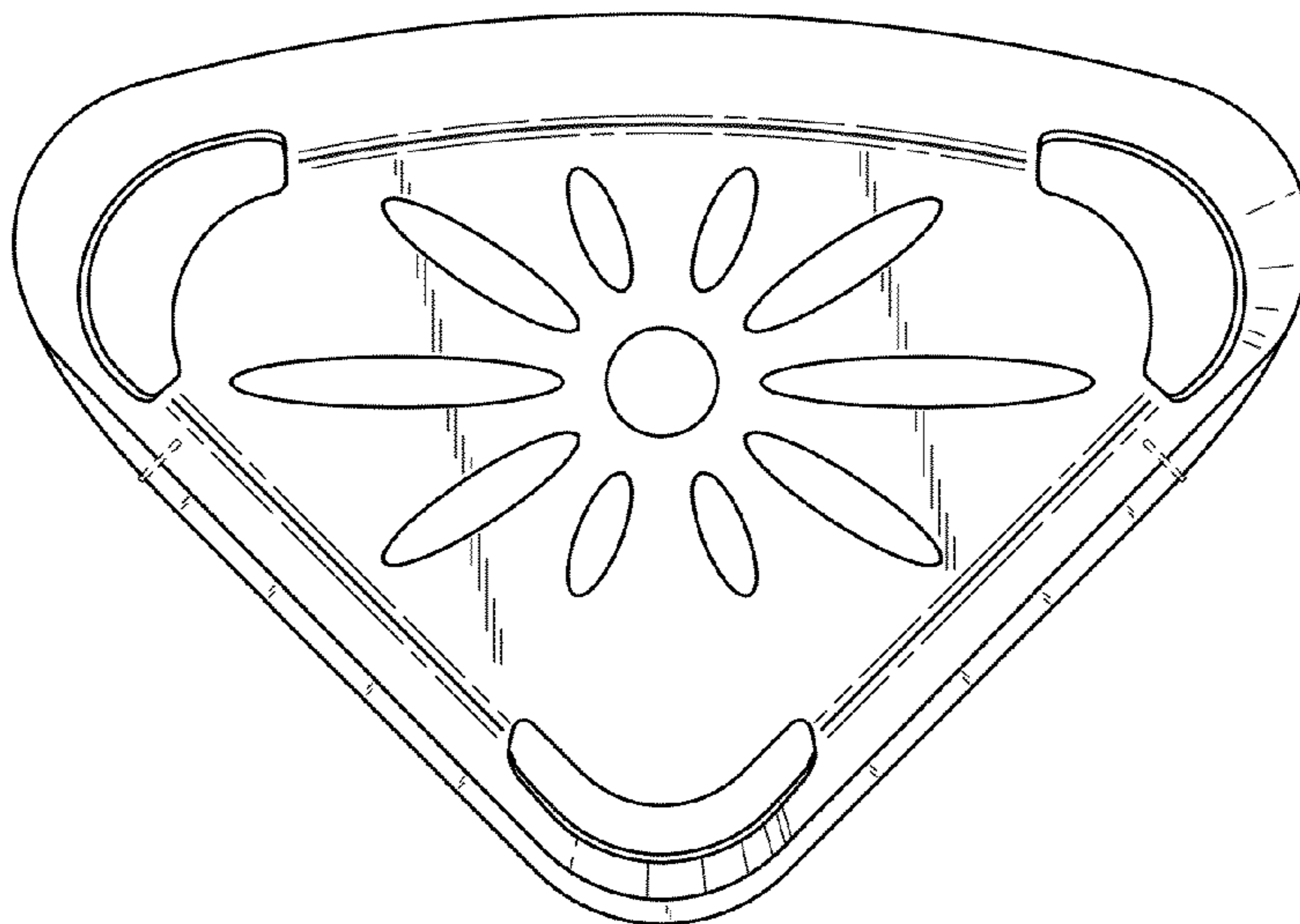
*Fig. 2*



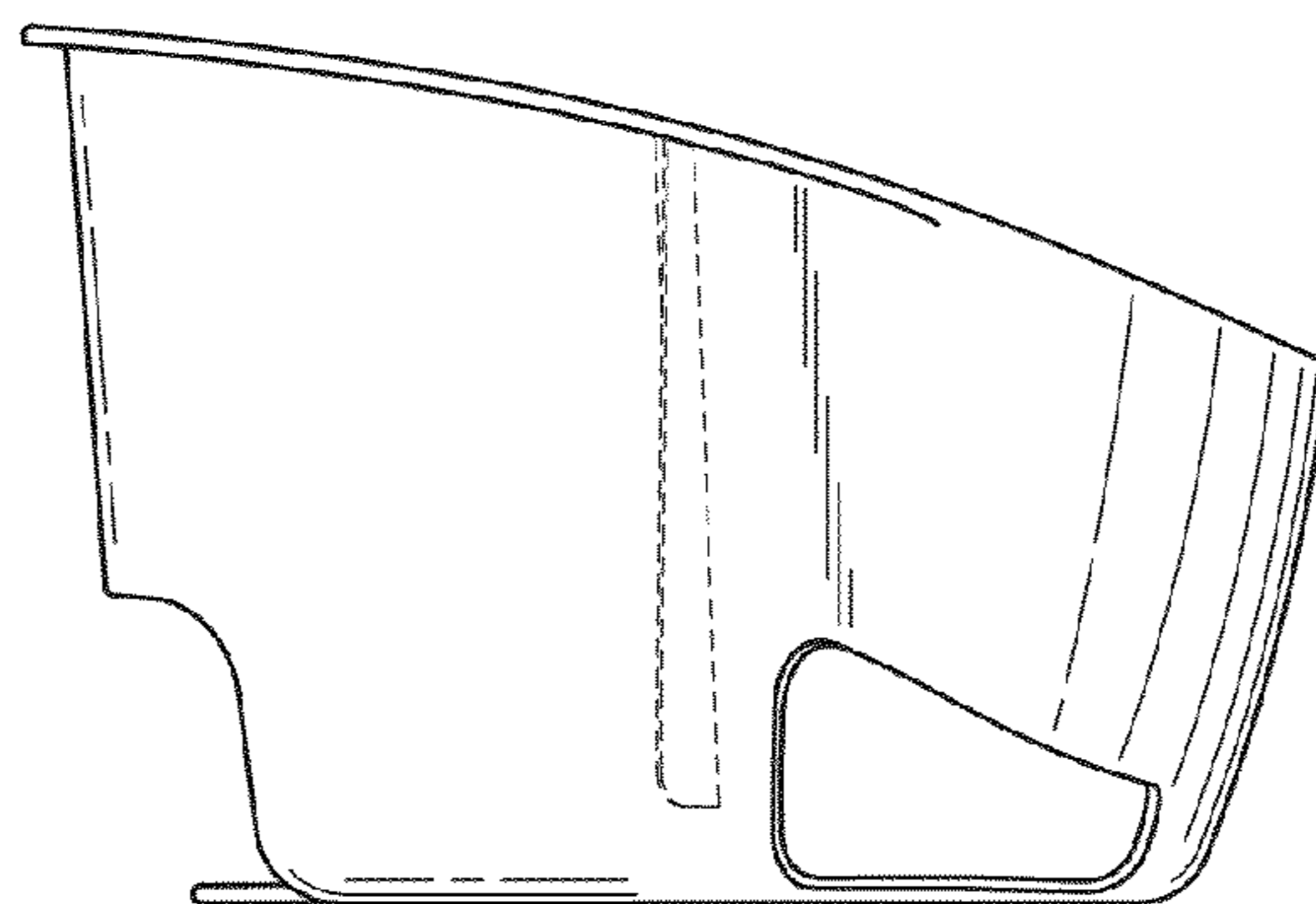
*Fig. 3*



*Fig. 4*



*Fig. 5*



*Fig. 6*

UNITED STATES PATENT AND TRADEMARK OFFICE  
**CERTIFICATE OF CORRECTION**

PATENT NO. : D682,593 S  
APPLICATION NO. : 29/423907  
DATED : May 21, 2013  
INVENTOR(S) : Kevin James Gilboe et al.

Page 1 of 1

It is certified that error appears in the above-identified patent and that said Letters Patent is hereby corrected as shown below:

On the Title page,

Item (57), Description, Line 2, delete "daddy;" and insert -- Caddy; --, therefor.

Signed and Sealed this  
Twelfth Day of November, 2013



Teresa Stanek Rea  
*Deputy Director of the United States Patent and Trademark Office*