



US00D682585S

(12) **United States Design Patent**
Slayton

(10) **Patent No.:** **US D682,585 S**
(45) **Date of Patent:** **** May 21, 2013**

- (54) **RECLINED SWING**
- (71) Applicant: **Berry Slayton**, Churubusco, IN (US)
- (72) Inventor: **Berry Slayton**, Churubusco, IN (US)
- (**) Term: **14 Years**
- (21) Appl. No.: **29/434,246**
- (22) Filed: **Oct. 11, 2012**

D455,908 S *	4/2002	Liu	D6/347
D467,740 S *	12/2002	Noll	D6/344
D492,129 S *	6/2004	Noll	D6/344
6,857,701 B1 *	2/2005	Liu	297/281
D503,290 S *	3/2005	Tseng	D6/347
7,862,442 B2 *	1/2011	Tseng	472/118
2003/0071499 A1 *	4/2003	Tseng	297/281

* cited by examiner

Primary Examiner — Ricky Pham
(74) *Attorney, Agent, or Firm* — Barnes & Thornburg LLP

Related U.S. Application Data

- (60) Continuation of application No. 29/422,409, filed on May 21, 2012, now Pat. No. Des. 670,925, and a division of application No. 29/380,183, filed on Dec. 1, 2010, now Pat. No. Des. 661,502.

- (51) **LOC (9) Cl.** **06-01**
- (52) **U.S. Cl.**
USPC **D6/500**
- (58) **Field of Classification Search** D6/334–336,
D6/344–347, 360–380, 498, 500–502, 601;
297/31, 35, 281, 284.4–284.5, 291, 297,
297/411.2, 411.27–411.29, 423.38, 440.13,
297/452.13, 452.19, 452.21, 452.29, 452.3,
297/452.56, 452.64; 472/118, 125
See application file for complete search history.

(56) **References Cited**

U.S. PATENT DOCUMENTS

D135,694 S *	5/1943	Smith	D6/347
5,842,741 A *	12/1998	Onorini	297/281

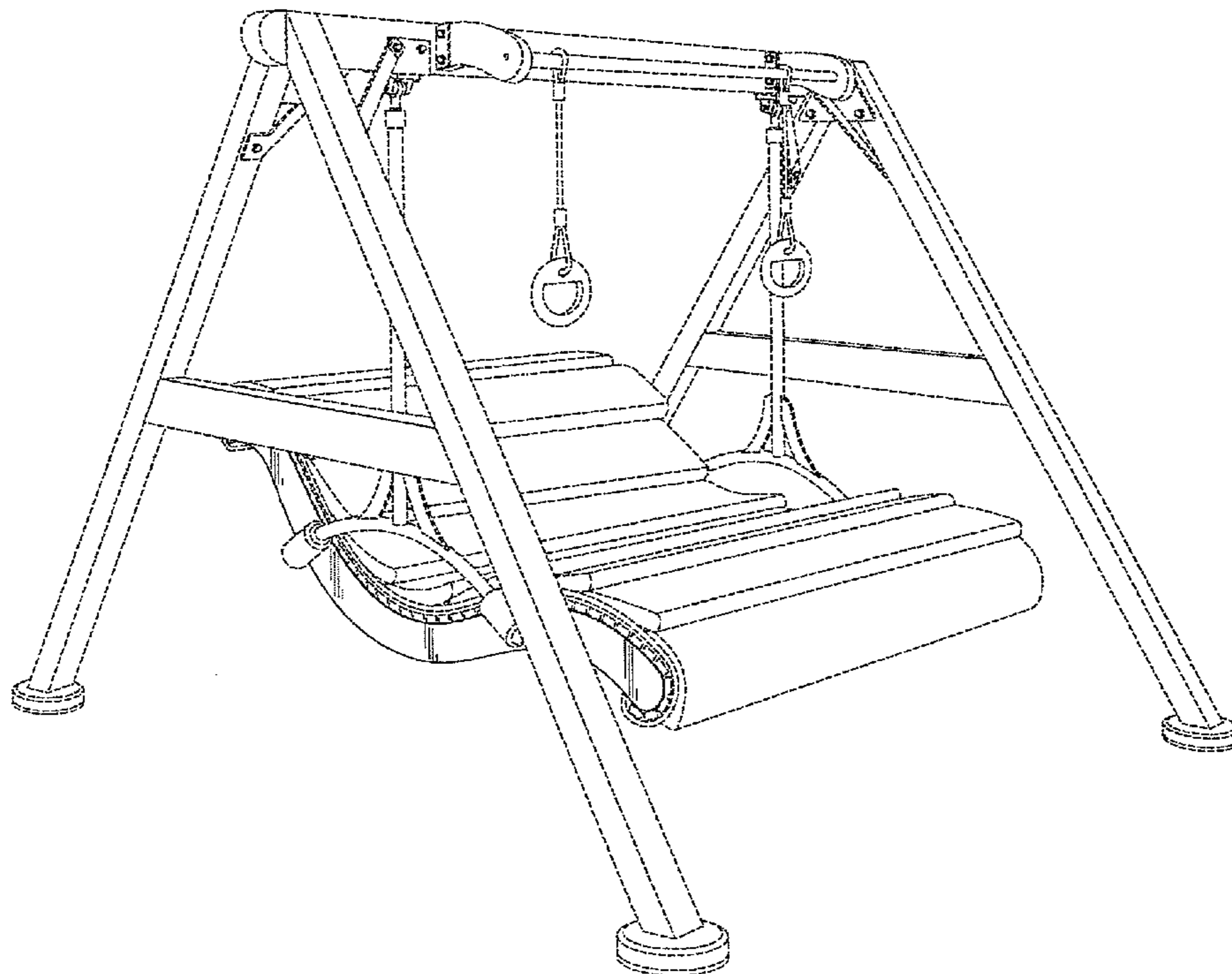
(57) **CLAIM**

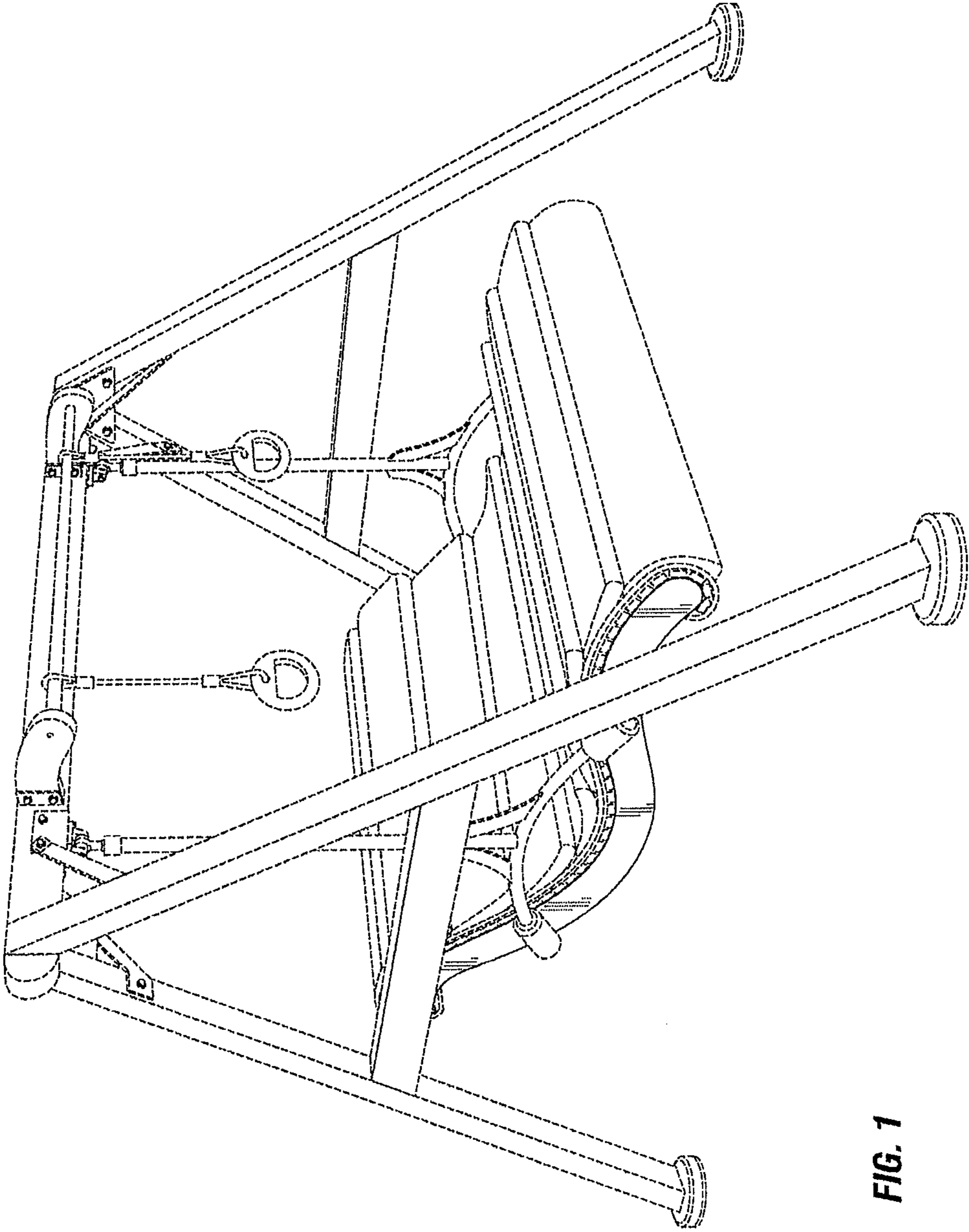
The ornamental design for a reclined swing, as shown and described.

DESCRIPTION

FIG. 1 is a perspective view of a reclined swing assembly showing my new design;
 FIG. 2 is a front elevation view of the reclined swing assembly of FIG. 1;
 FIG. 3 is a rear elevation view of the reclined swing assembly of FIG. 1;
 FIG. 4 is a side view of the reclined swing assembly of FIG. 1, the other side view of this reclined swing assembly would be a mirror image of this view;
 FIG. 5 is a top view of the reclined swing assembly of FIG. 1; and,
 FIG. 6 is an underside view of the reclined swing assembly of FIG. 1.
 Note that the dashed lines shown in these drawings do not form part of the claimed invention.

1 Claim, 6 Drawing Sheets





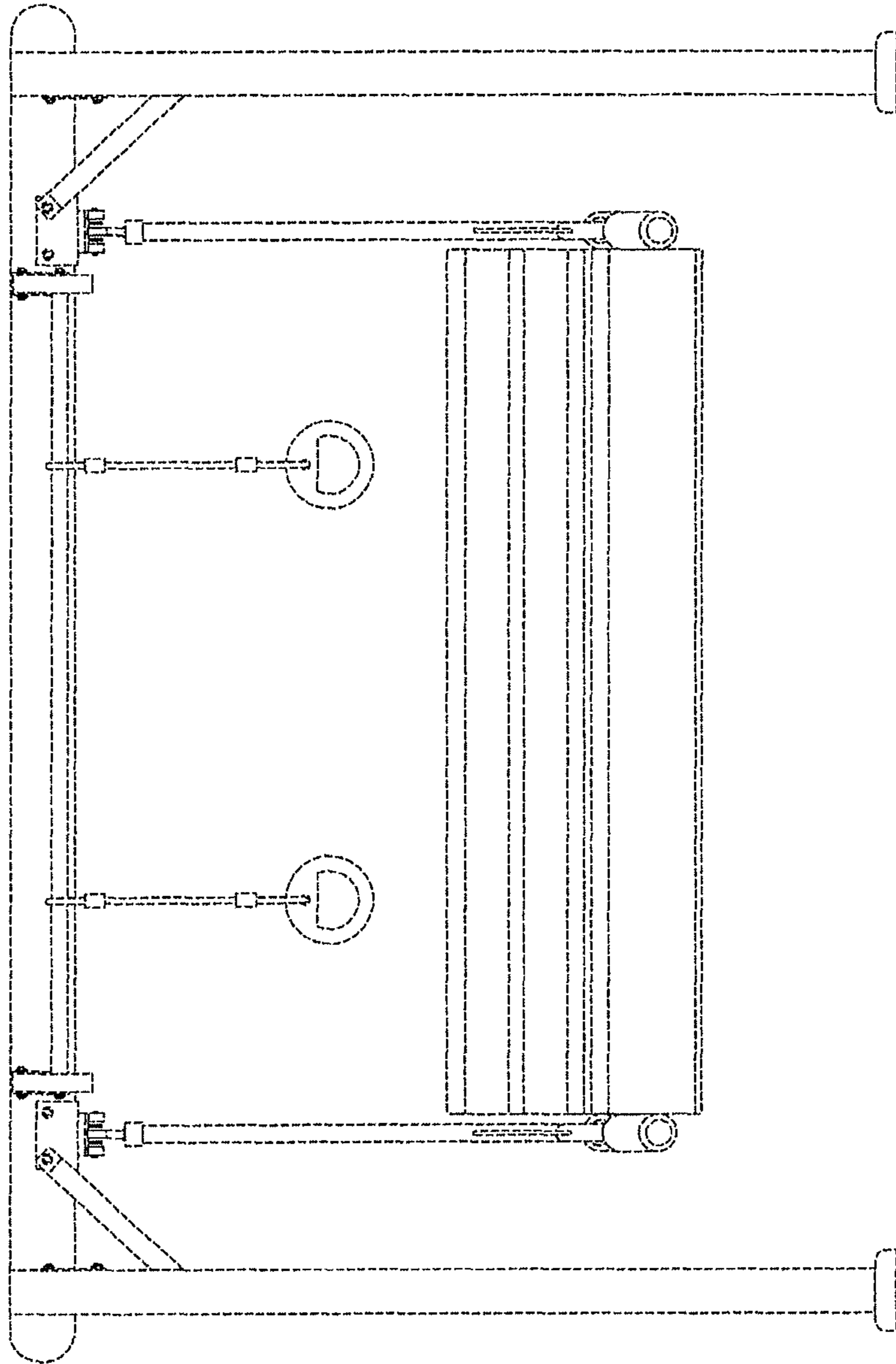


FIG. 2

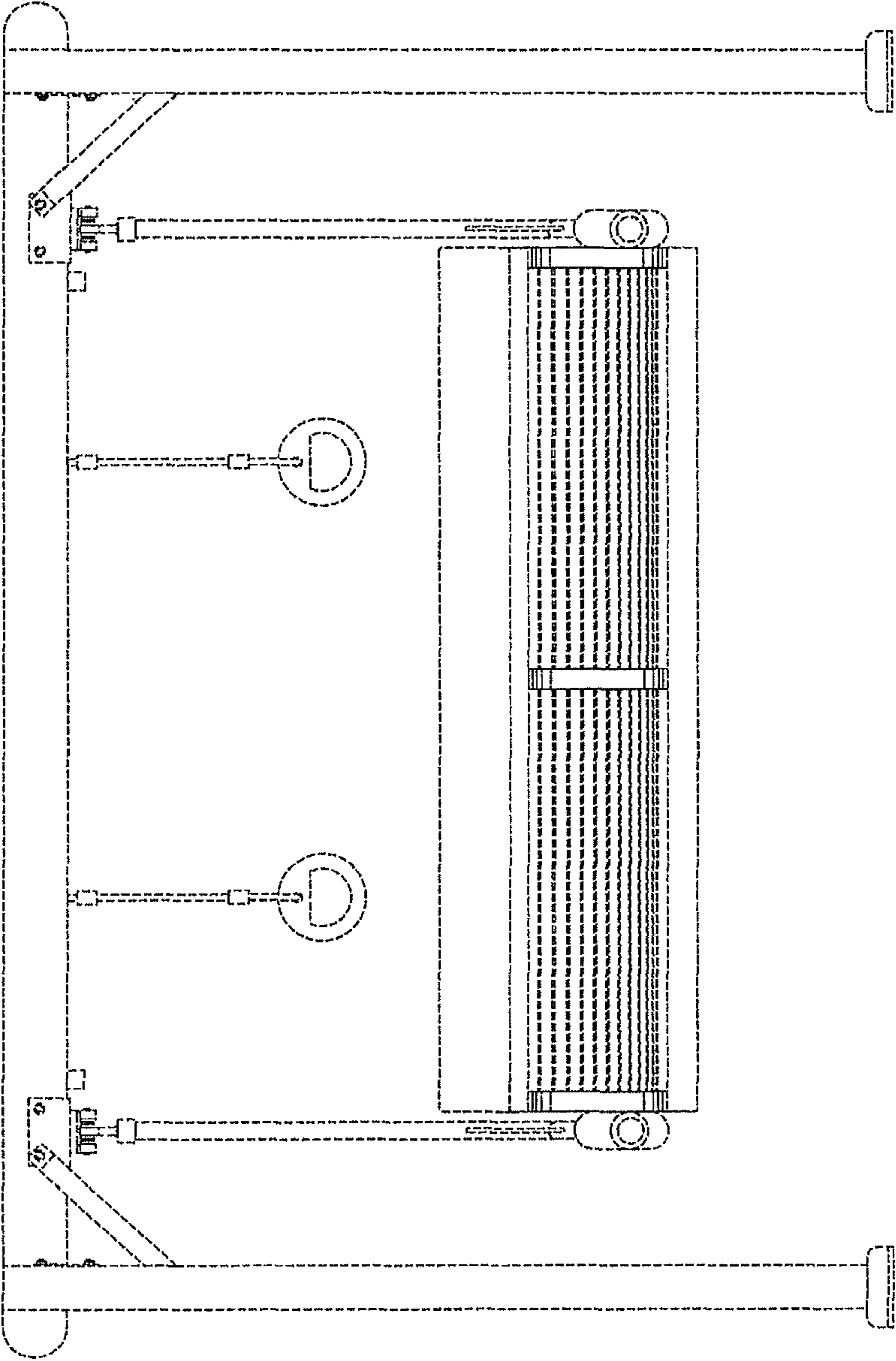


FIG. 3

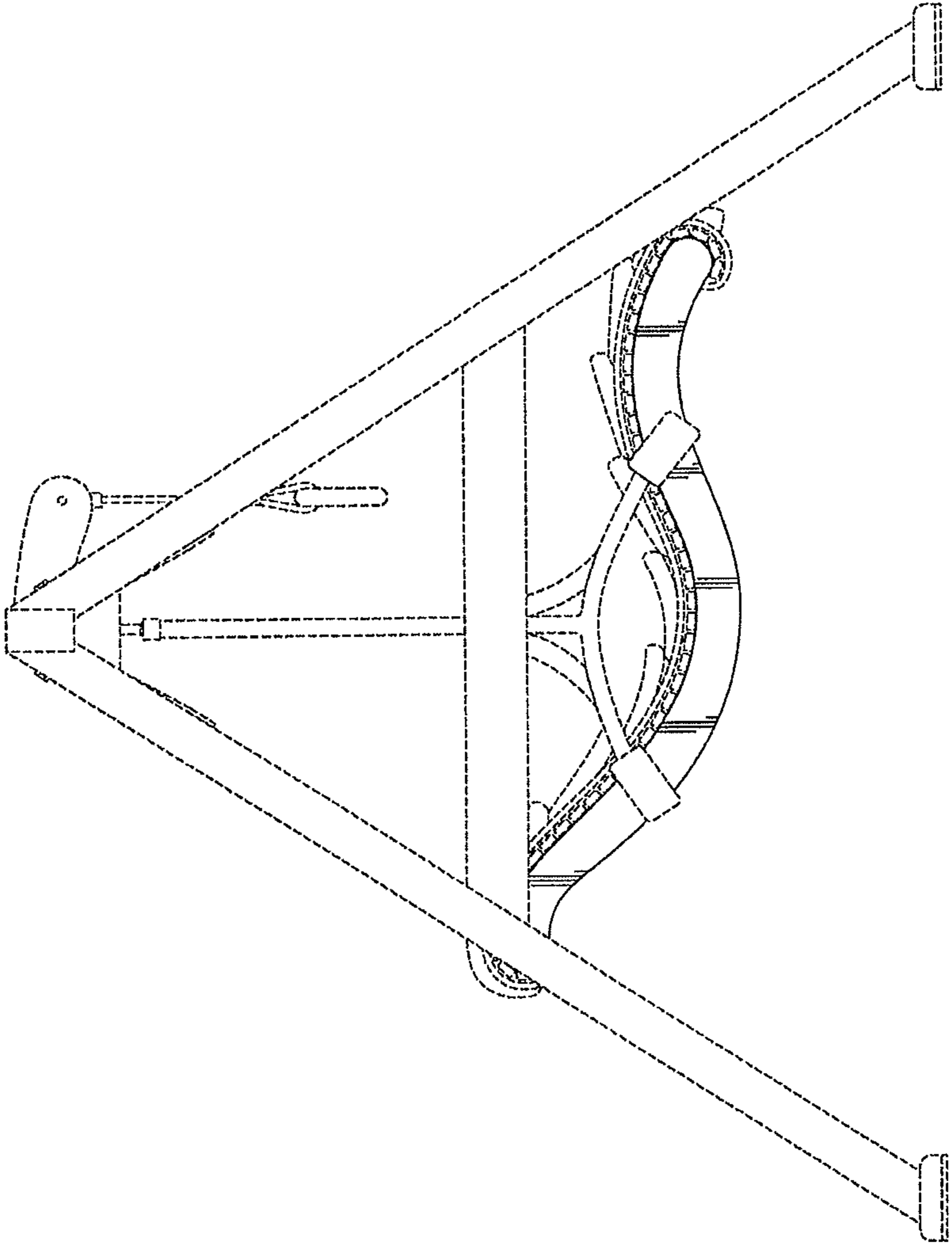


FIG. 4

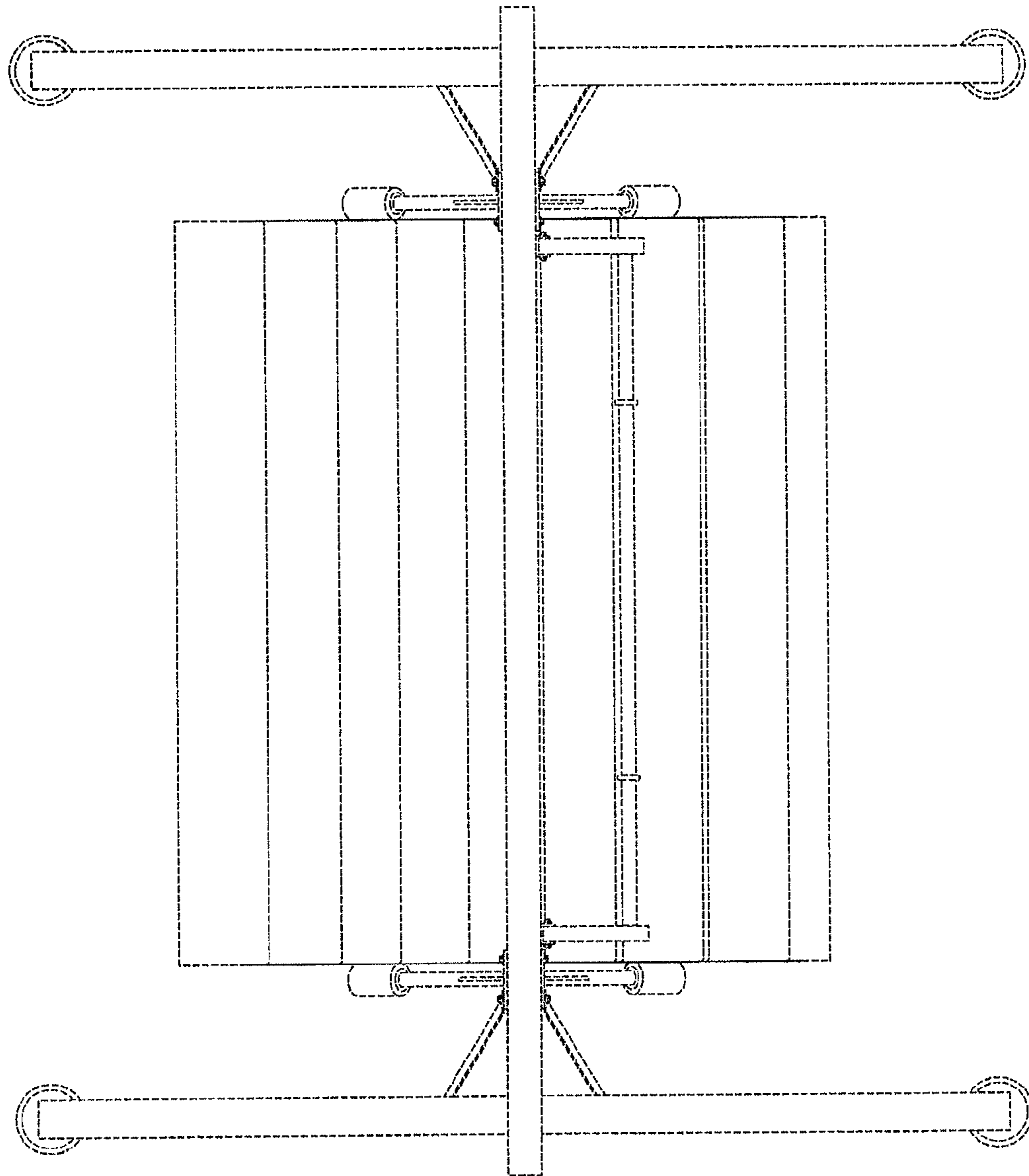


FIG. 5

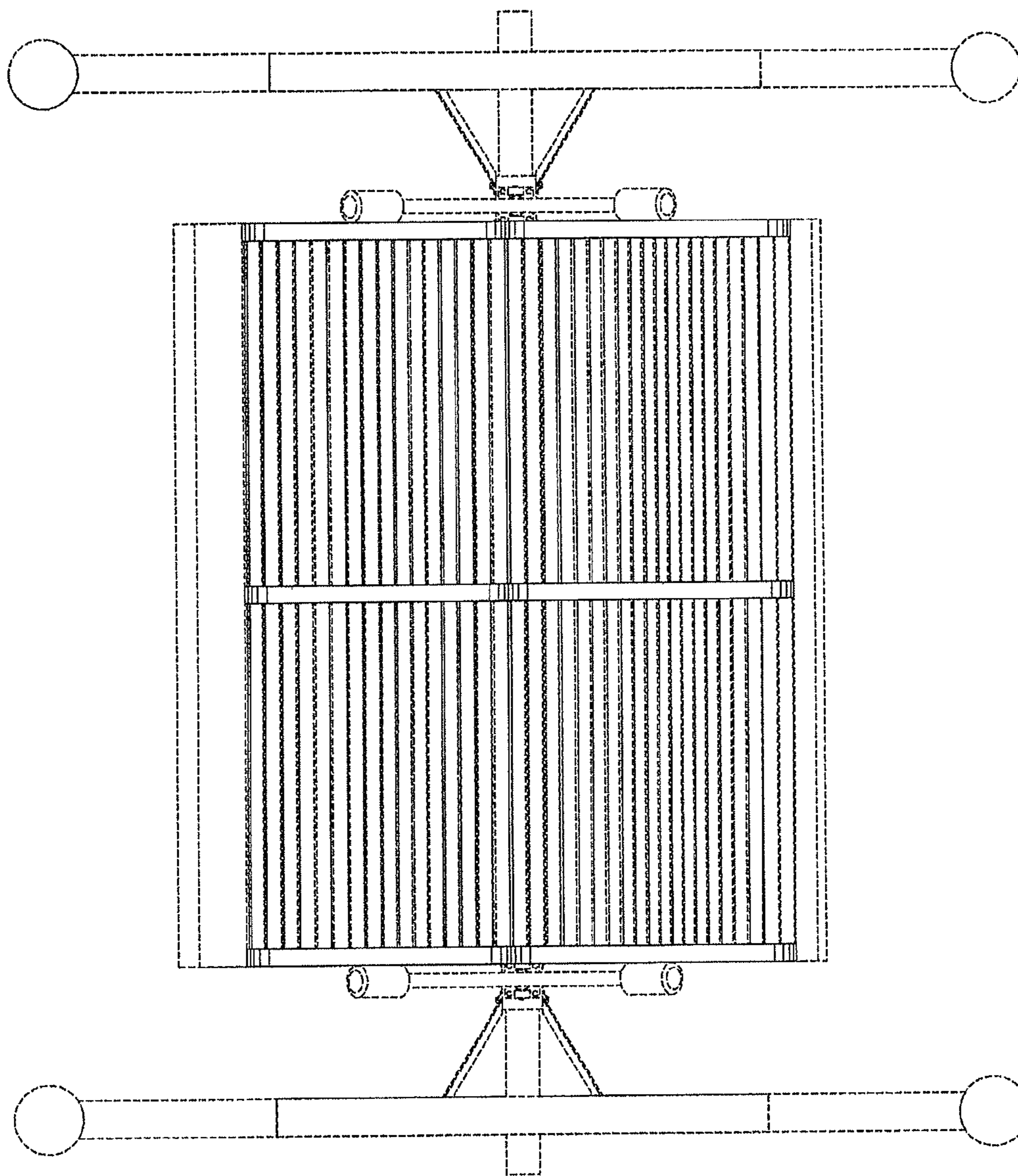


FIG. 6