



US00D682582S

(12) **United States Design Patent**
Levy et al.

(10) **Patent No.:** **US D682,582 S**

(45) **Date of Patent:** **** *May 21, 2013**

(54) **ROTATING DISPLAY RACK**

(75) Inventors: **Gordon Levy**, Golden, CO (US); **David L. Martin**, Highlands Ranch, CO (US)

(73) Assignee: **Navajo Manufacturing Company, Inc.**, Denver, CO (US)

(*) Notice: This patent is subject to a terminal disclaimer.

(**) Term: **14 Years**

(21) Appl. No.: **29/371,599**

(22) Filed: **May 9, 2011**

(51) **LOC (9) Cl.** **06-04**

(52) **U.S. Cl.**
USPC **D6/457**

(58) **Field of Classification Search** D6/450,
D6/449, 469, 455, 457, 466, 396, 410, 411,
D6/415, 467, 437, 397; 211/1.52, 163, 85.2,
211/13.1, 144, 7, 70.6, 46, 205, 53, 78, 85,
211/175, 189, 86.01, 85.8, 22, 24, 26, 39
See application file for complete search history.

(56) **References Cited**

U.S. PATENT DOCUMENTS

D369,038 S * 4/1996 Lechleiter et al. D6/466
6,443,317 B1 * 9/2002 Brozak, Jr. 211/85.1

D500,417 S * 1/2005 Levin et al. D6/457
D534,372 S * 1/2007 Babbino et al. D6/457
D564,793 S * 3/2008 Shea D6/457
D573,809 S 7/2008 Levy et al. D6/457
D582,175 S 12/2008 Levy et al. D6/457
D632,508 S 2/2011 Levy et al. D6/457
D639,580 S * 6/2011 Clemence et al. D6/450
D644,453 S * 9/2011 Levy et al. D6/457
2002/0130096 A1 * 9/2002 Brozak, Jr. 211/85.1

* cited by examiner

Primary Examiner — Philip S Hyder

Assistant Examiner — Sydney Buffalow

(74) *Attorney, Agent, or Firm* — Jacobson Holman PLLC

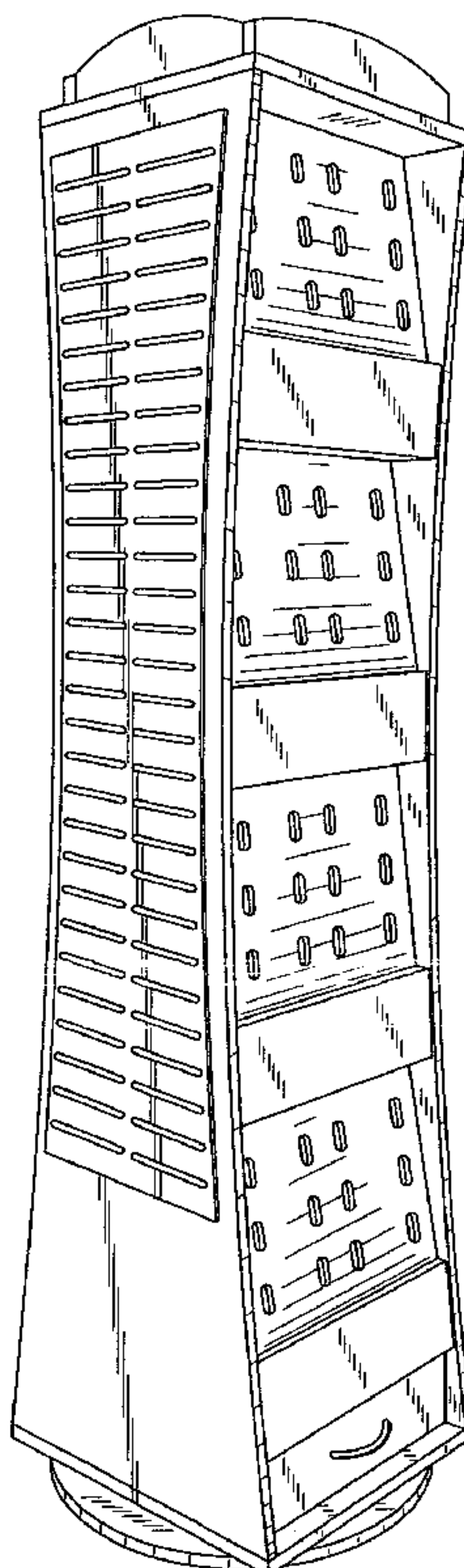
(57) **CLAIM**

The ornamental design for a rotating display rack, as shown and described.

DESCRIPTION

FIG. 1 is a perspective view showing our new design for a rotating display rack,
FIG. 2 is a front view thereof, the rear view being a mirror image thereof,
FIG. 3 is a left side view thereof, the right side view being a mirror image thereof,
FIG. 4 is a top view thereof; and,
FIG. 5 is a bottom view thereof.

1 Claim, 3 Drawing Sheets



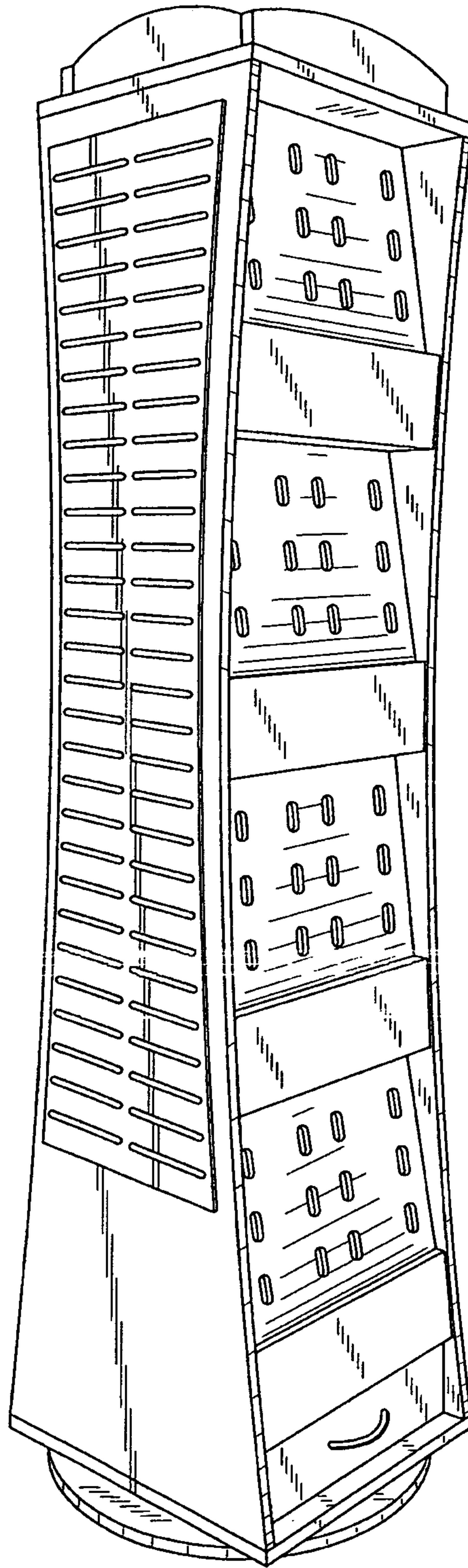


FIG. 1

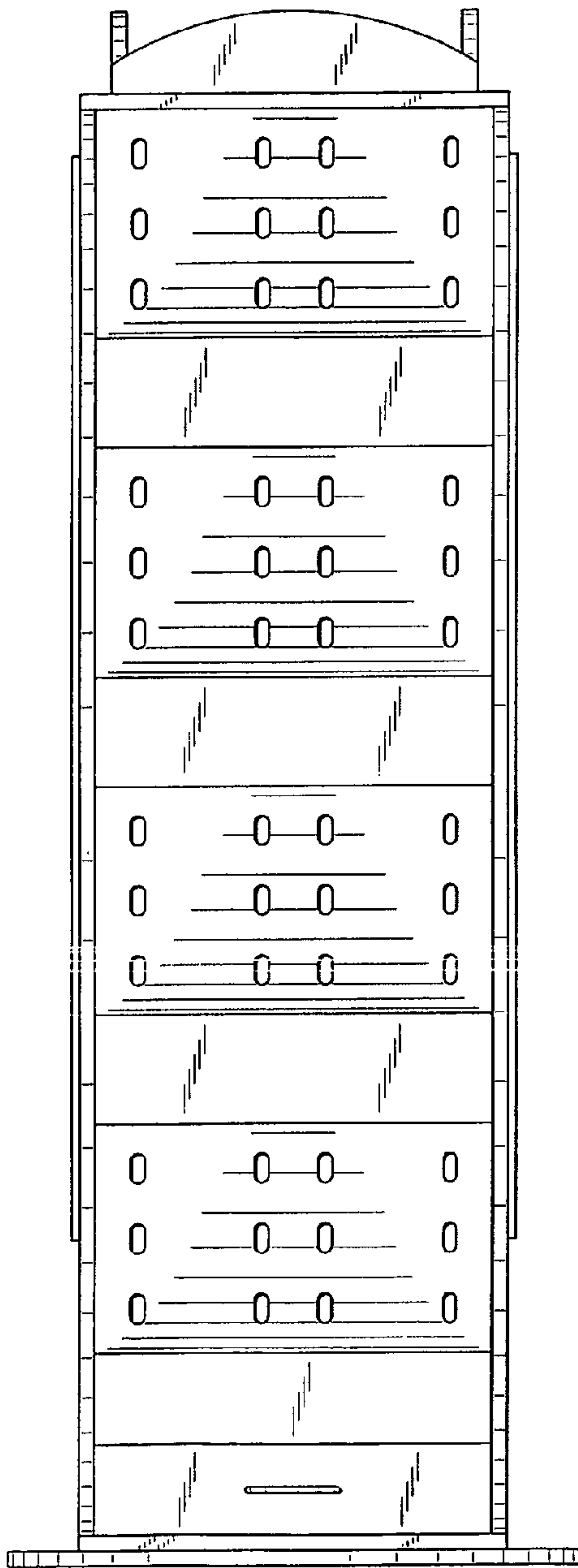


FIG. 2

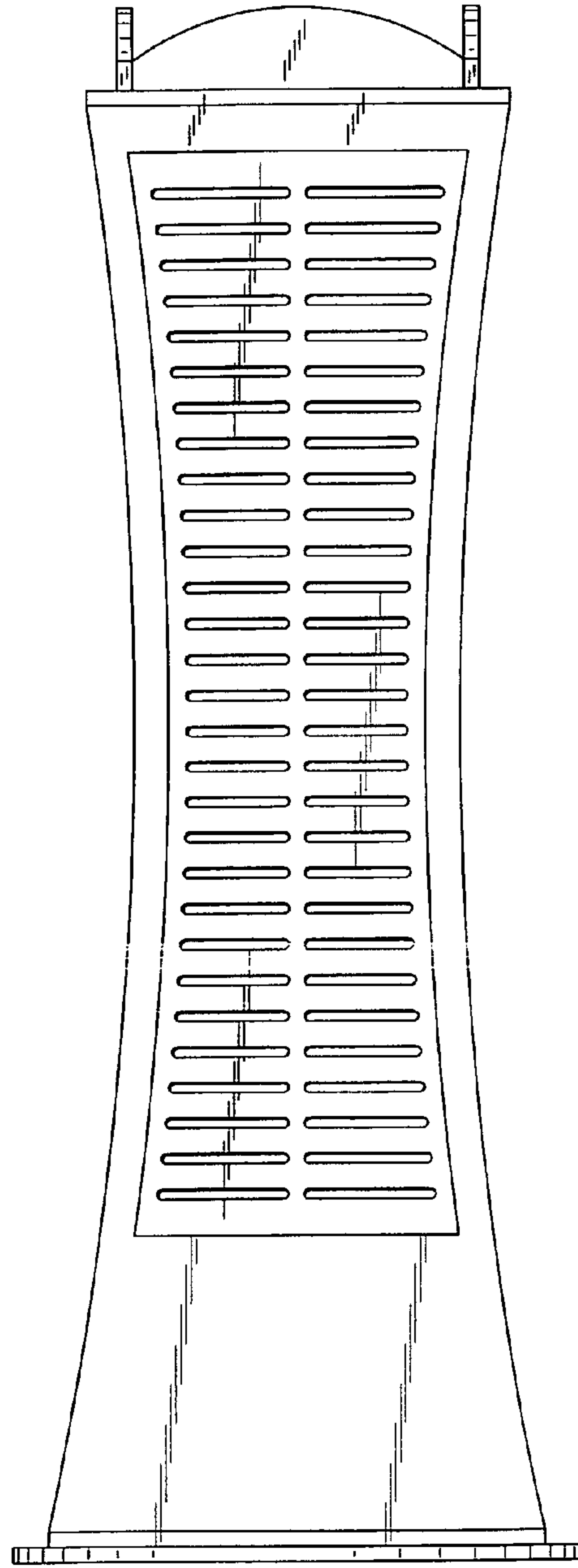


FIG. 3

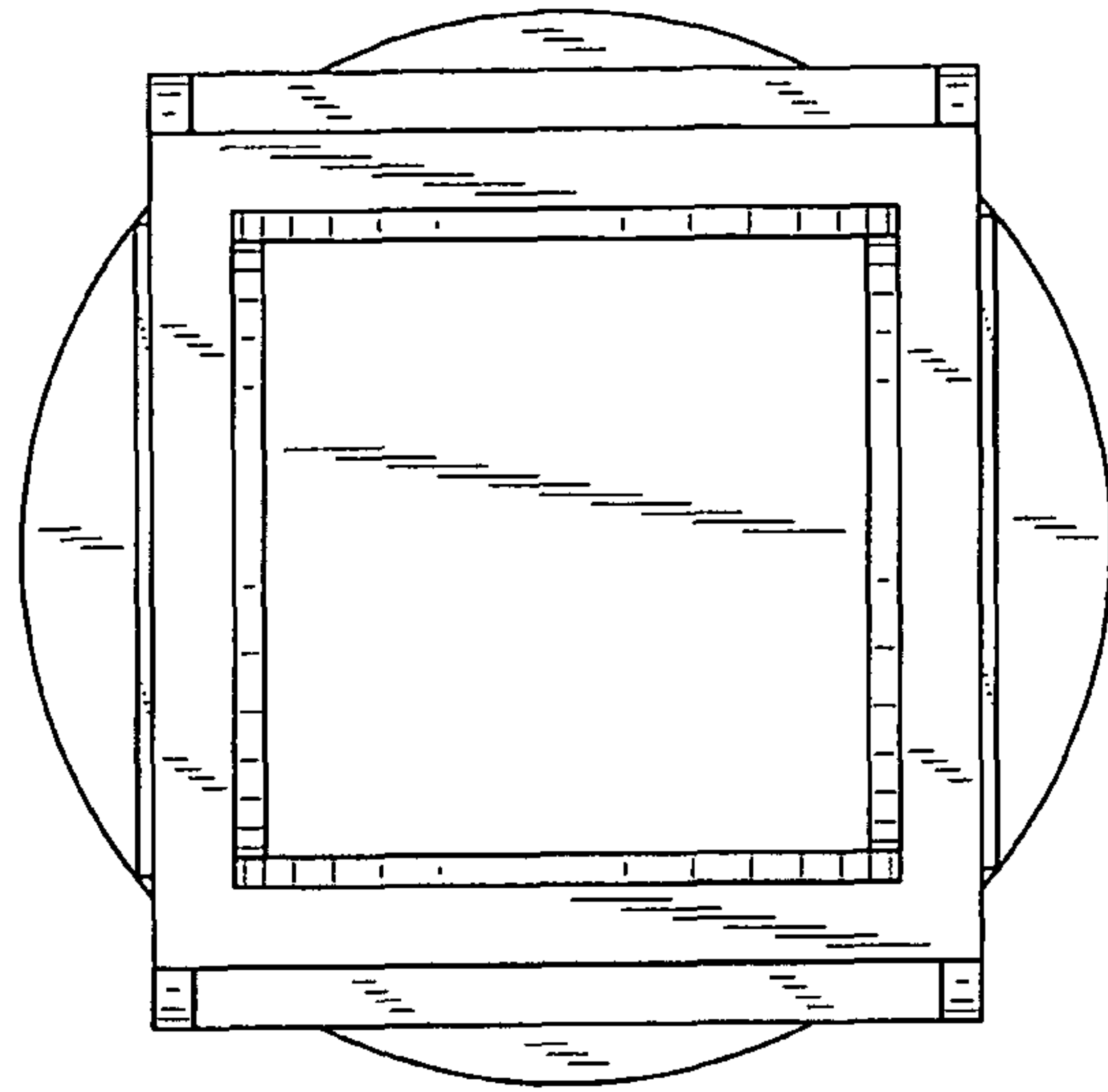


FIG. 4

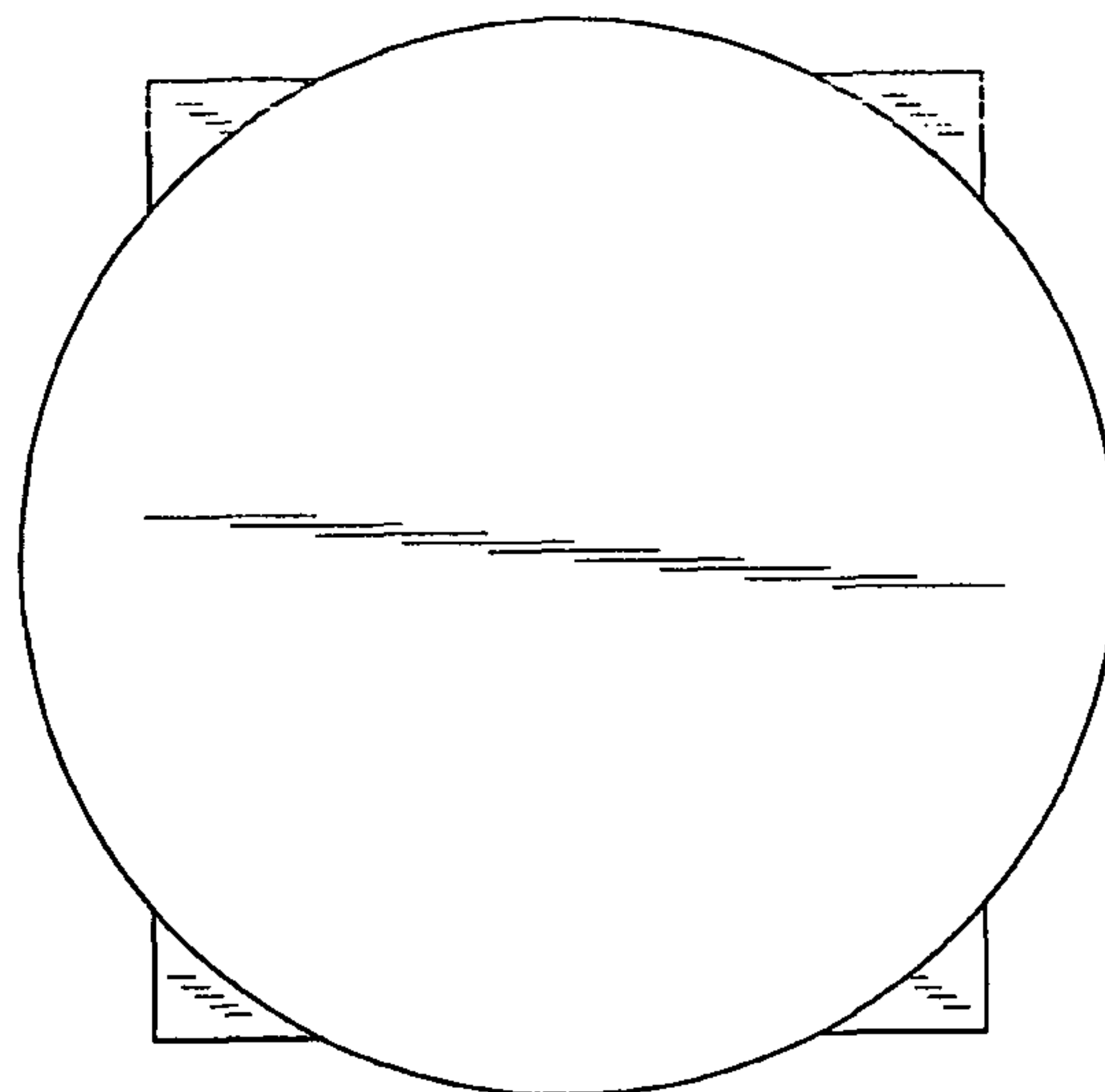


FIG. 5