



US00D682576S

(12) **United States Design Patent**
Digirolamo

(10) **Patent No.:** **US D682,576 S**

(45) **Date of Patent:** **** May 21, 2013**

(54) **CHAIR**

(75) Inventor: **Antonia Digirolamo**, Bari (IT)

(73) Assignee: **Natuzzi S.p.A.**, Santeramo in Colle (BA)
(IT)

(**) Term: **14 Years**

(21) Appl. No.: **29/426,063**

(22) Filed: **Jun. 29, 2012**

(30) **Foreign Application Priority Data**

Dec. 30, 2011 (EM) 001970120-0028

(51) **LOC (9) Cl.** **06-01**

(52) **U.S. Cl.**
USPC **D6/379**

(58) **Field of Classification Search** D6/334-336,
D6/369, 370, 371, 373, 374, 376, 379, 380,
D6/500-502, 716, 716.1, 716.3, 716.4; 297/411.28,
297/411.42, 445.1, 446.1, 452.2, 452.48
See application file for complete search history.

(56) **References Cited**

U.S. PATENT DOCUMENTS

D104,767 S * 6/1937 Eppenstein D6/379

D105,878 S * 8/1937 Johnson D6/373
D188,046 S * 5/1960 Galloway D6/379
D433,825 S * 11/2000 Piretti D6/334
D443,151 S * 6/2001 Frinier D6/379
D572,935 S * 7/2008 Sargent D6/379
D612,628 S * 3/2010 Mourgue D6/379
D666,842 S * 9/2012 Cramer et al. D6/379

* cited by examiner

Primary Examiner — Mimosa De

(74) *Attorney, Agent, or Firm* — Resising Ethington P.C.

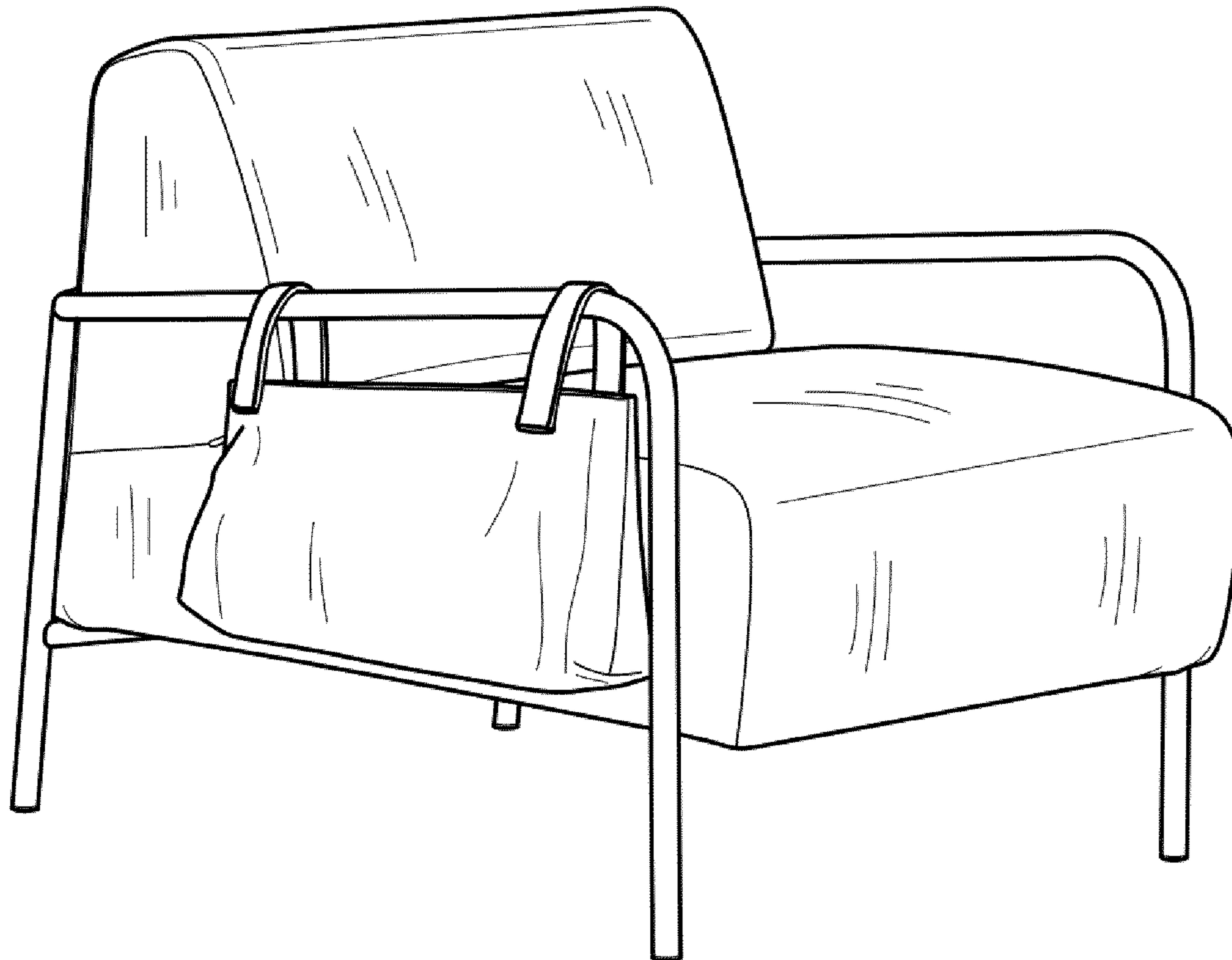
(57) **CLAIM**

The ornamental design for a chair, as shown and described.

DESCRIPTION

FIG. 1 shows a perspective view of the chair;
FIG. 2 shows a front view of the chair;
FIG. 3 shows a left side view of the chair;
FIG. 4 shows a right side view of the chair;
FIG. 5 shows a top view of the chair;
FIG. 6 shows a rear view of the chair; and,
FIG. 7 shows a bottom view of the chair.

1 Claim, 2 Drawing Sheets



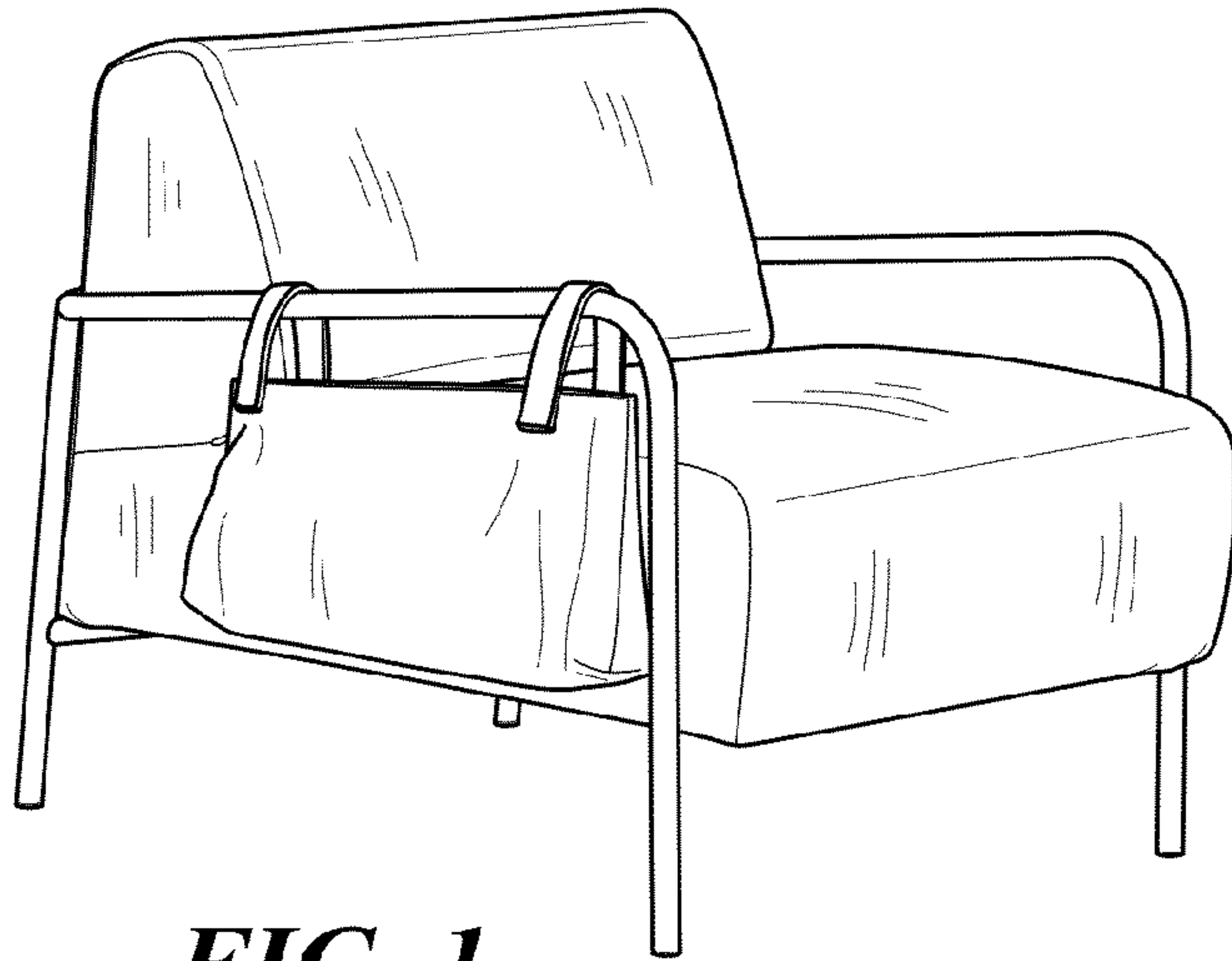


FIG. 1

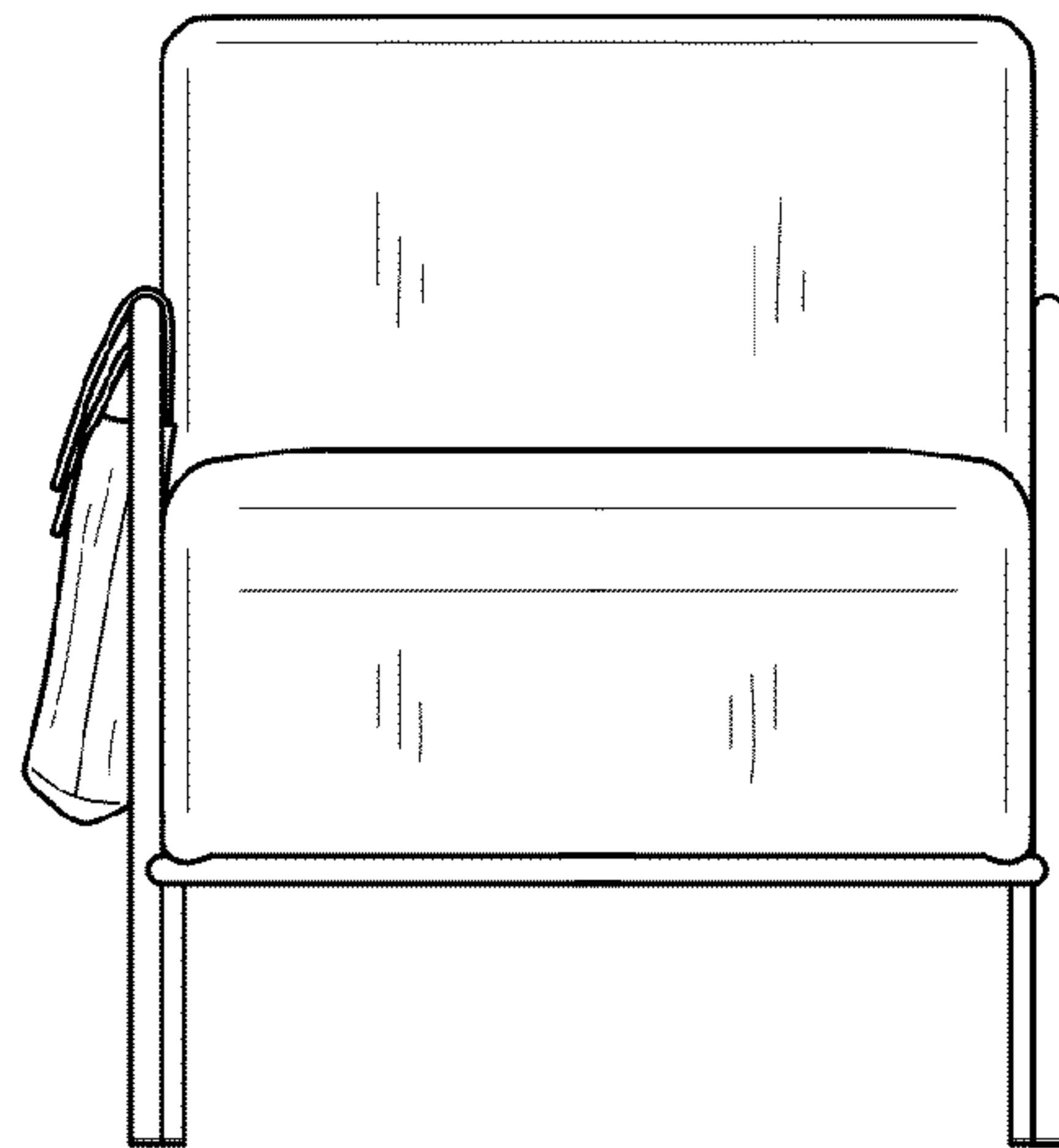


FIG. 2

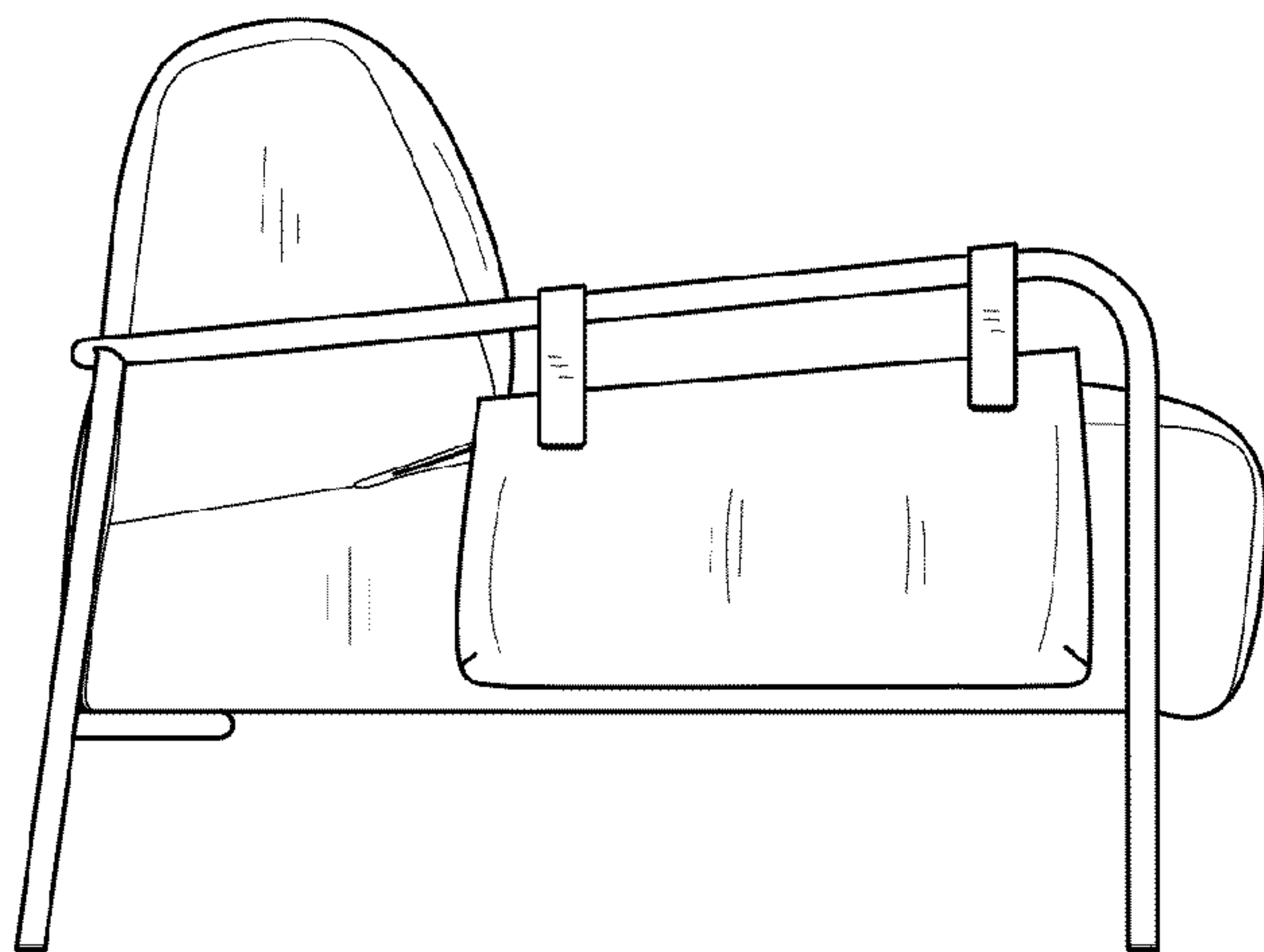


FIG. 3

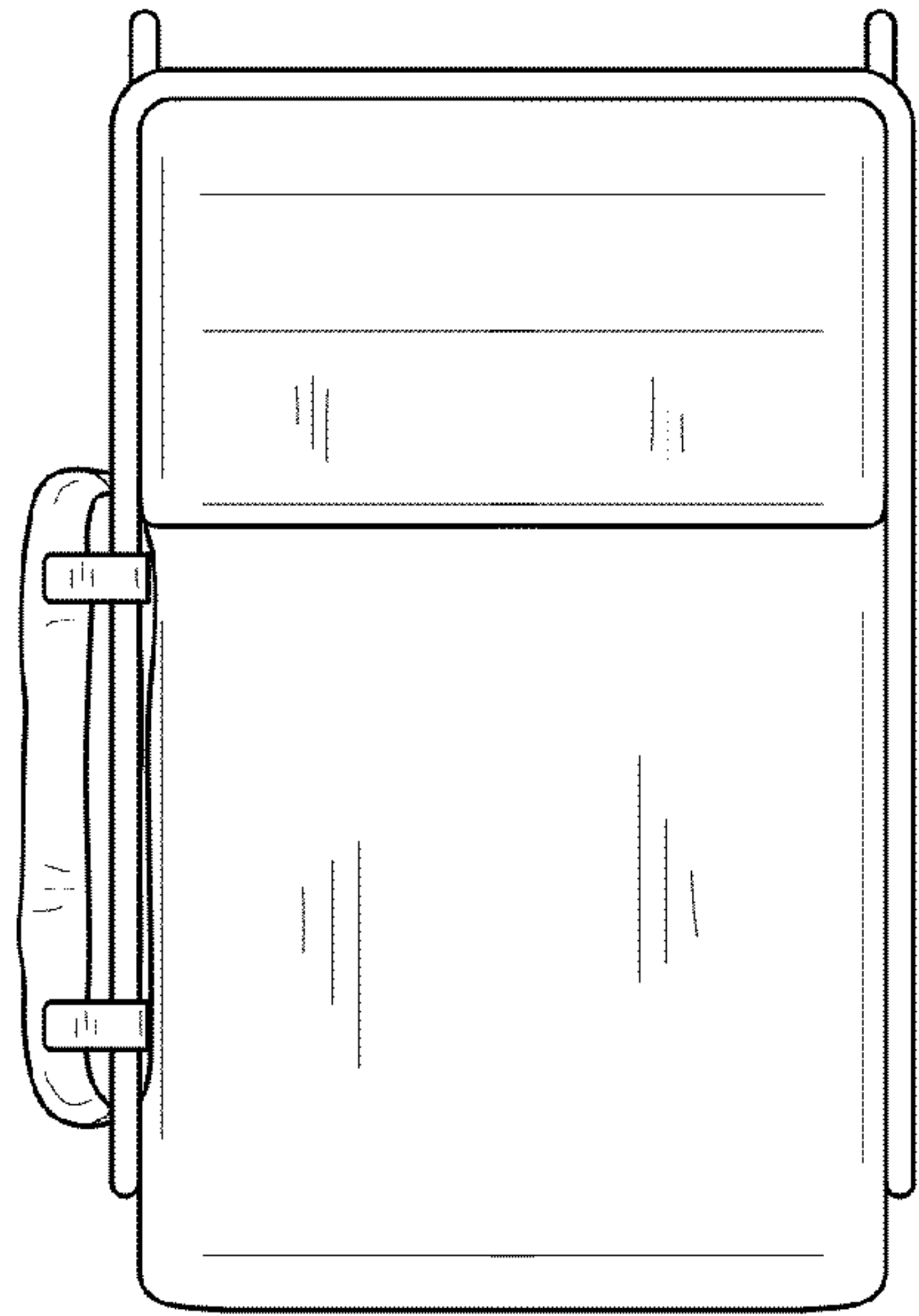


FIG. 5

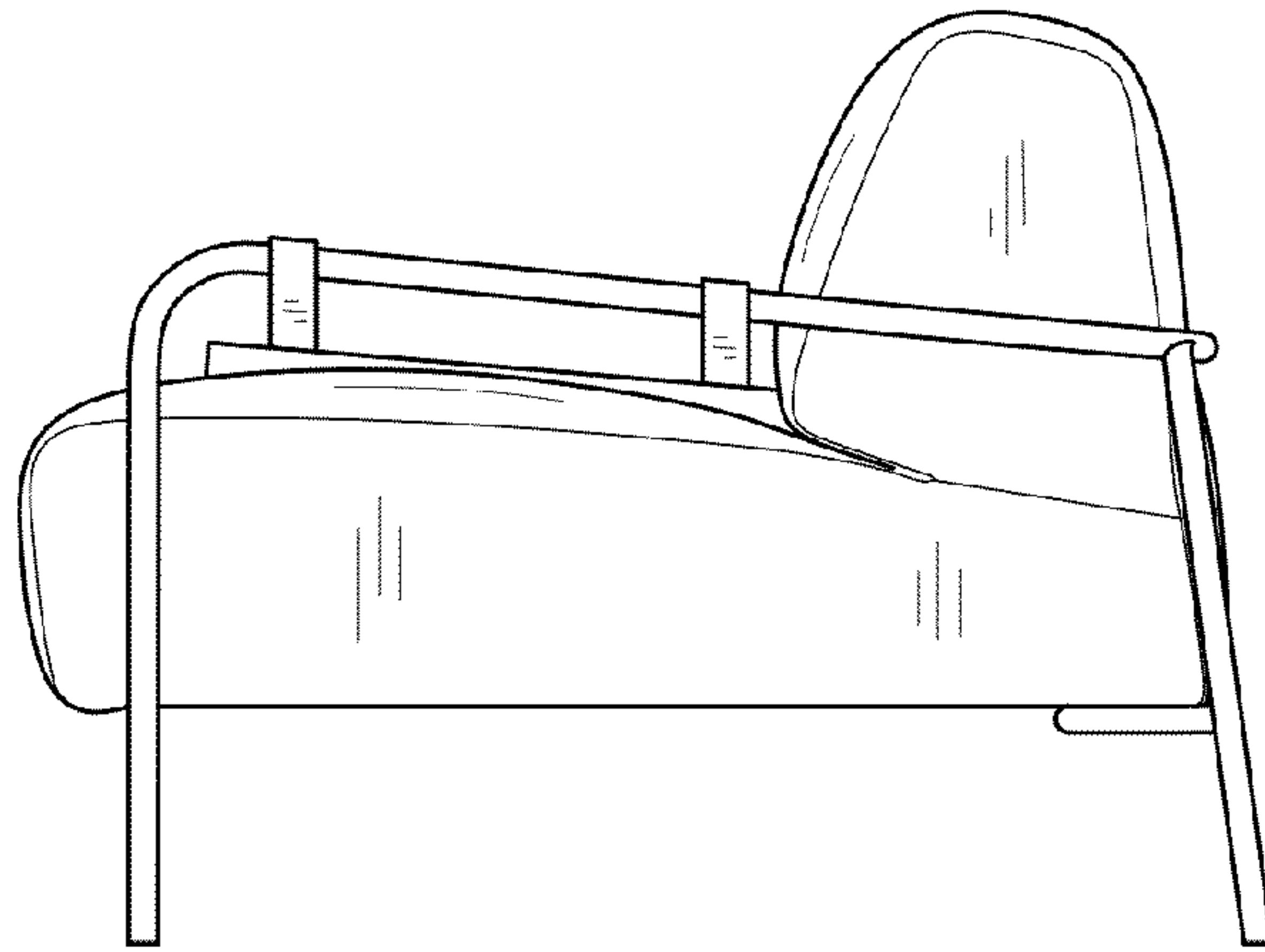


FIG. 4

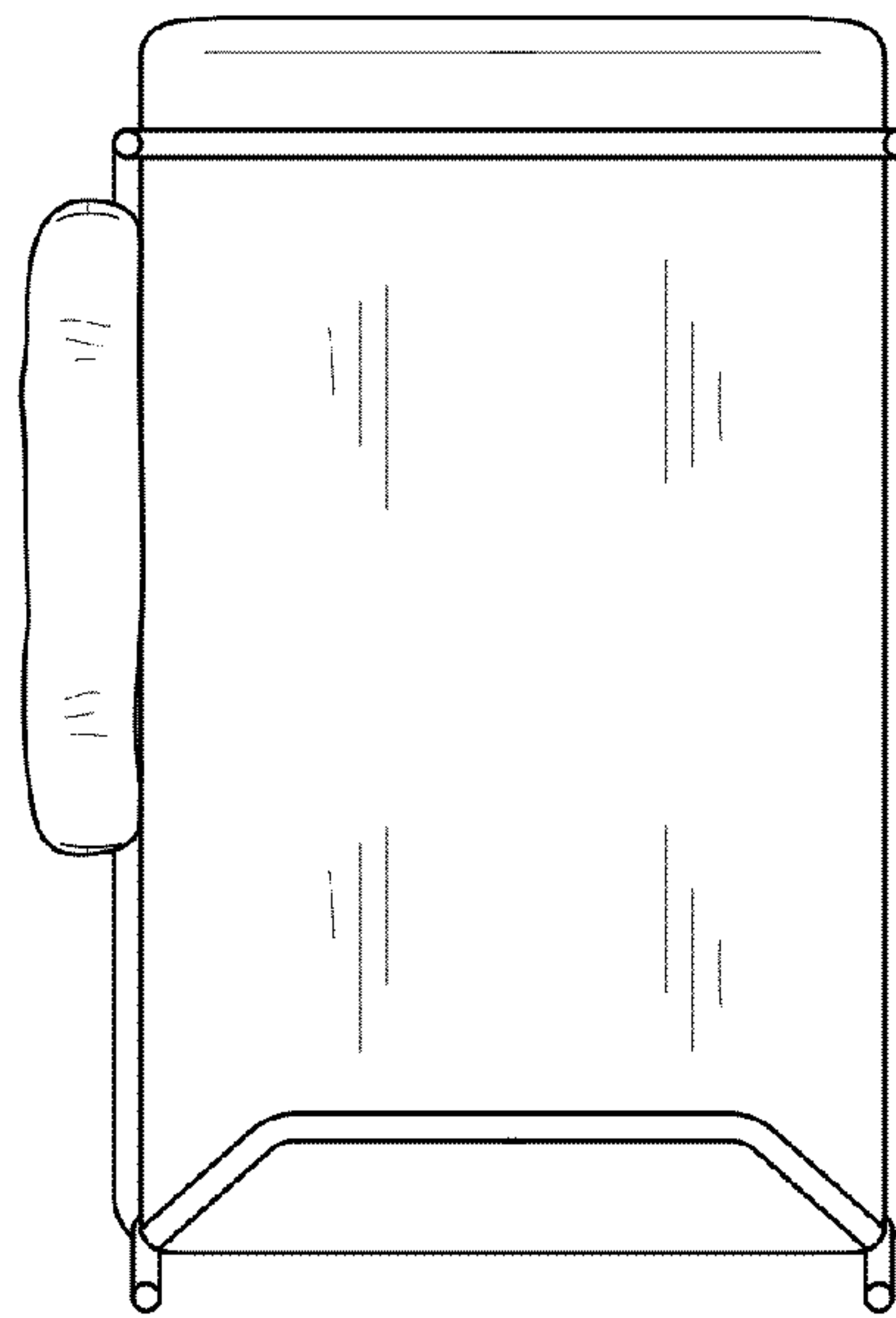


FIG. 7

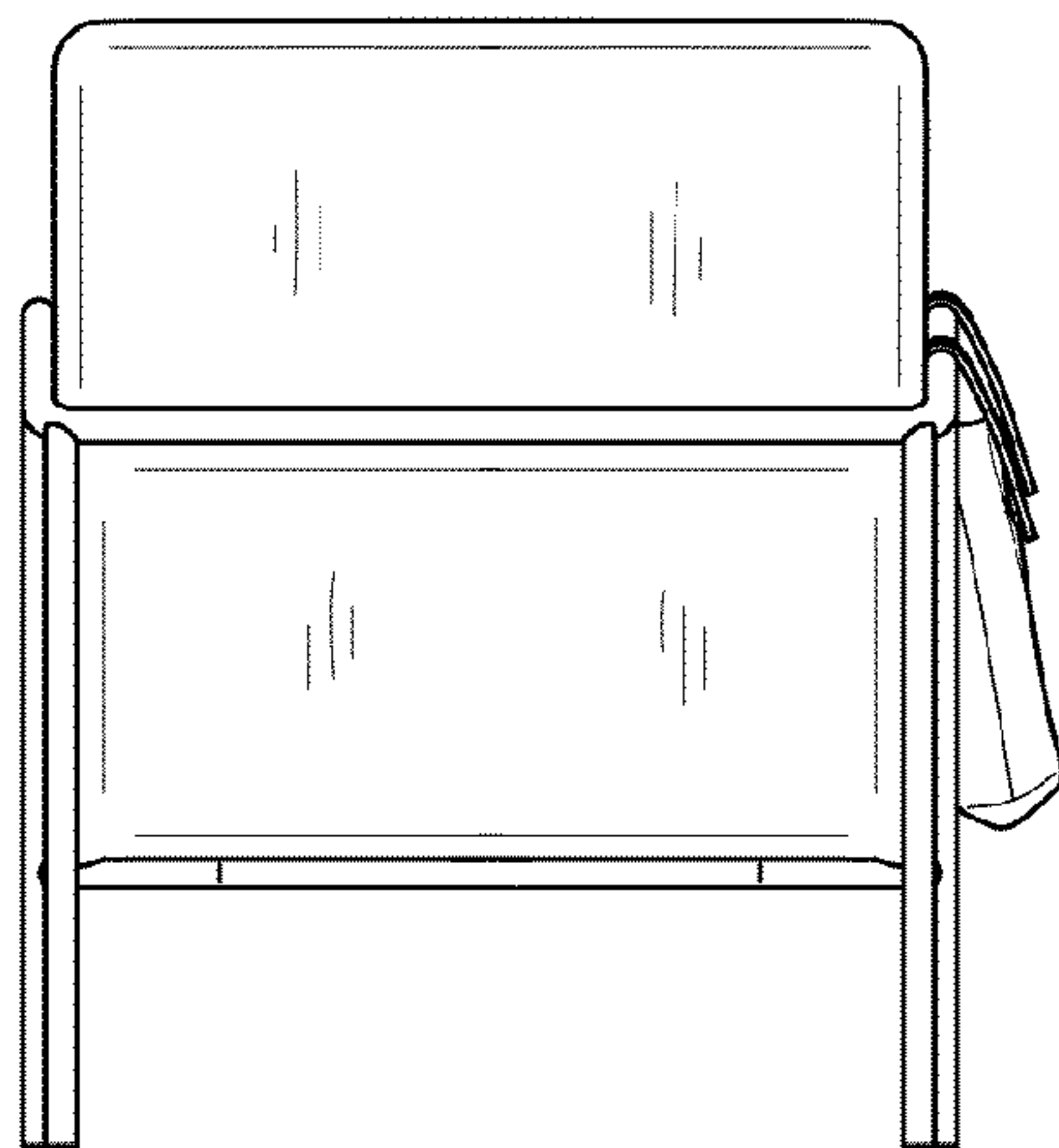


FIG. 6