



US00D682574S

(12) **United States Design Patent**
Pedersen et al.

(10) **Patent No.:** **US D682,574 S**
(45) **Date of Patent:** **** May 21, 2013**

(54) **CHAIR**

- (71) Applicant: **Target Brands, Inc.**, Minneapolis, MN (US)
- (72) Inventors: **Sara L. Pedersen**, Minneapolis, MN (US); **Katherine R. Wittenberg**, Saint Paul, MN (US); **Chad M. Bogdan**, Saint Paul, MN (US); **George K. Smithwick**, Blaine, MN (US)
- (73) Assignee: **Target Brands, Inc.**, Minneapolis, MN (US)

(**) Term: **14 Years**

(21) Appl. No.: **29/436,458**

(22) Filed: **Nov. 6, 2012**

(51) **LOC (9) Cl.** **06-01**

(52) **U.S. Cl.**
USPC **D6/373**

(58) **Field of Classification Search** D6/334-336,
D6/369, 371, 372, 373, 374, 375, 716, 716.1,
D6/716.2, 716.3, 716.4; 297/411.41, 411.42,
297/411.45, 445.1, 446.1, 448.2, 451.3, 451.9,
297/452.64

See application file for complete search history.

(56) **References Cited**

U.S. PATENT DOCUMENTS

2,546,811	A *	3/1951	Anderson	297/411.41
D266,639	S	10/1982	Thorpe		
D278,581	S *	4/1985	Melchior	D6/373
D284,624	S *	7/1986	Culler	D6/371
D284,814	S	7/1986	Culler		
D286,587	S *	11/1986	Culler	D6/334
D332,183	S *	1/1993	White	D6/369
D572,930	S	7/2008	Frinier		
D586,140	S	2/2009	Massaud		
D596,863	S	7/2009	Bergmann et al.		
D601,819	S	10/2009	Marin et al.		
D615,314	S *	5/2010	Charoenapornwatana	D6/373

OTHER PUBLICATIONS

Hayneedle, "Patan All-Weather Wicker Nesting Bistro Set," <http://www.hayneedle.com/sale/patanallweatherwickernestingbistroset.cfm?source=pjn&subid=17714>, 1 page, at least as early as Aug. 2012.

Target "Target Home Loft 5-Piece Wicker Patio Furniture Set," http://www.target.com/p/target-home-loft-5-piece-wicker-patio-conversation-furniture-set-red/-/A-13748418?ref=tgt_adv_xasd0001&AFID=Performics_priceviewer_0004c858ac2938910a2a09893200277c&LNM=Primary, 1 page, at least as early as Aug. 2012.

WickerFurniture.com, "Outback Co. Teremo All Weather Wicker Conversation Set," <http://www.wickerfurniture.com/wicker-outdoor-furniture/outdoor-wicker-conversation-sets/teremoallweatherwickerconversationset.cfm>, 1 page, at least as early as Aug. 2012.

Outdoor Furniture Gallery, "4 Piece Wicker Brown Sofa Set," <http://www.outdoorfurnituregallery.com/4-piece-wicker-brown-sofa-set.html>, 1 page, at least as early as Aug. 2012.

(Continued)

Primary Examiner — Mimoso De

(74) *Attorney, Agent, or Firm* — Leanne Taveggia Farrell; Westman, Champlin & Kelly, P.A.

(57) **CLAIM**

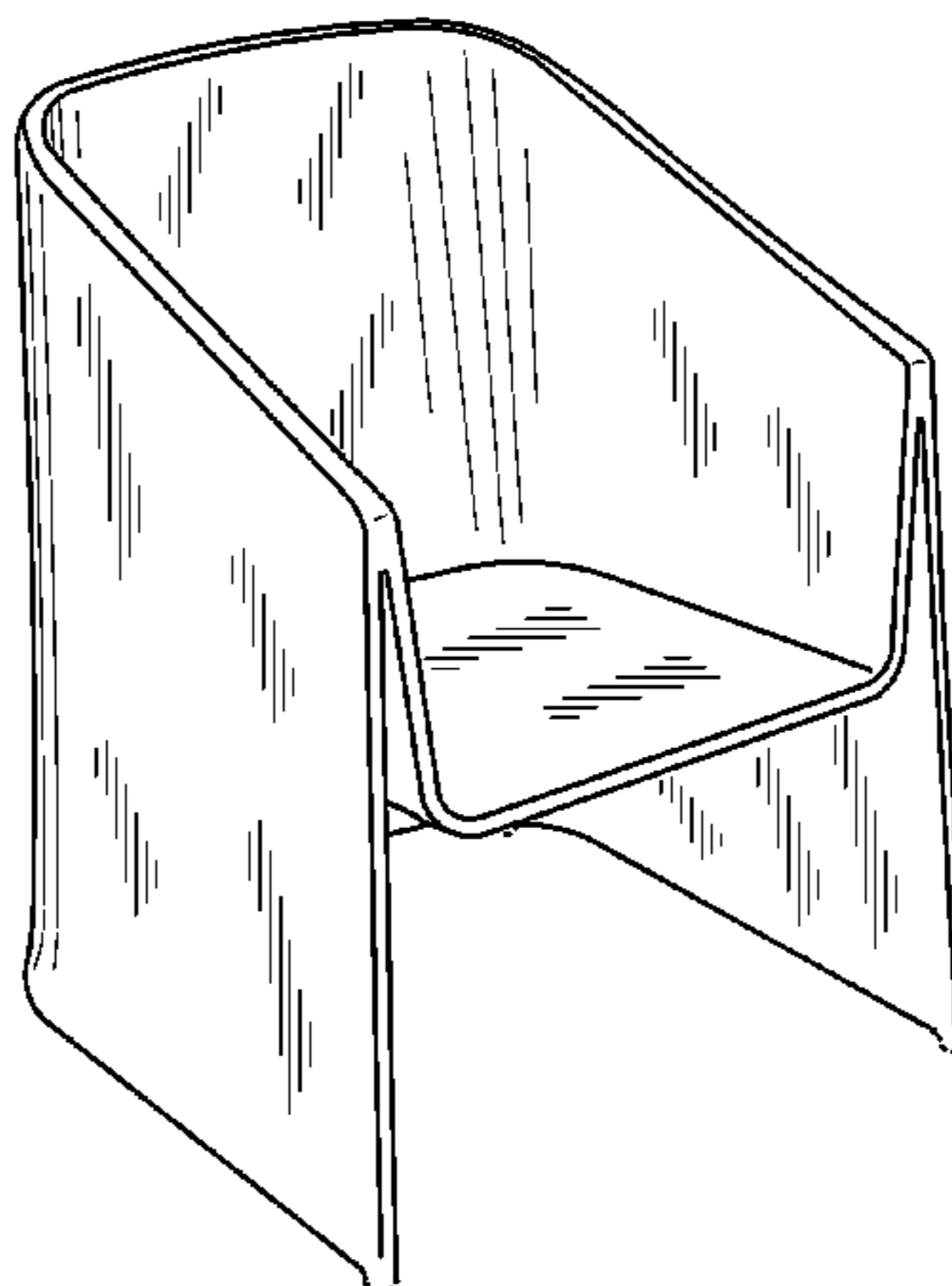
The ornamental design for a chair, as shown and described.

DESCRIPTION

FIG. 1 is a perspective view of a chair; FIG. 2 is a left side view thereof; FIG. 3 is a right side view thereof; FIG. 4 is a front view thereof; FIG. 5 is a back view thereof; and, FIG. 6 is a top view thereof.

The broken lines shown in the drawings are included for purposes of illustrating portions of the chair and form no part of the claimed design.

1 Claim, 4 Drawing Sheets



OTHER PUBLICATIONS

High Street Market, "Woven Rattan Arm Chair," <http://www.highstreetmarket.com/collections/furniture/products/woven-rattan-arm-chair>, 1 page, at least as early as Aug. 2012.

Wicker conversation set image, publicly available at least as early as Jul. 2012, 1 page.

* cited by examiner

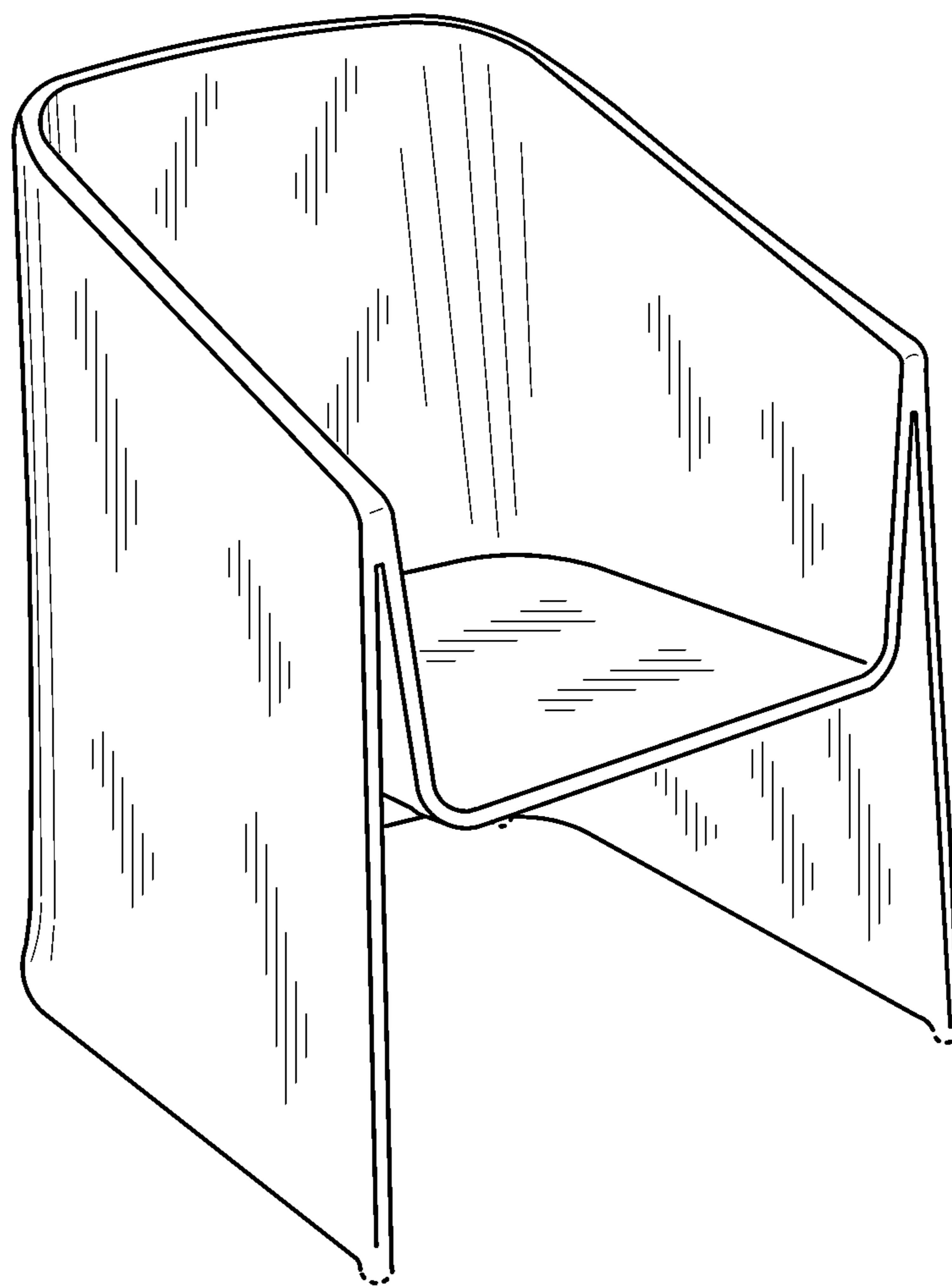


FIG. 1

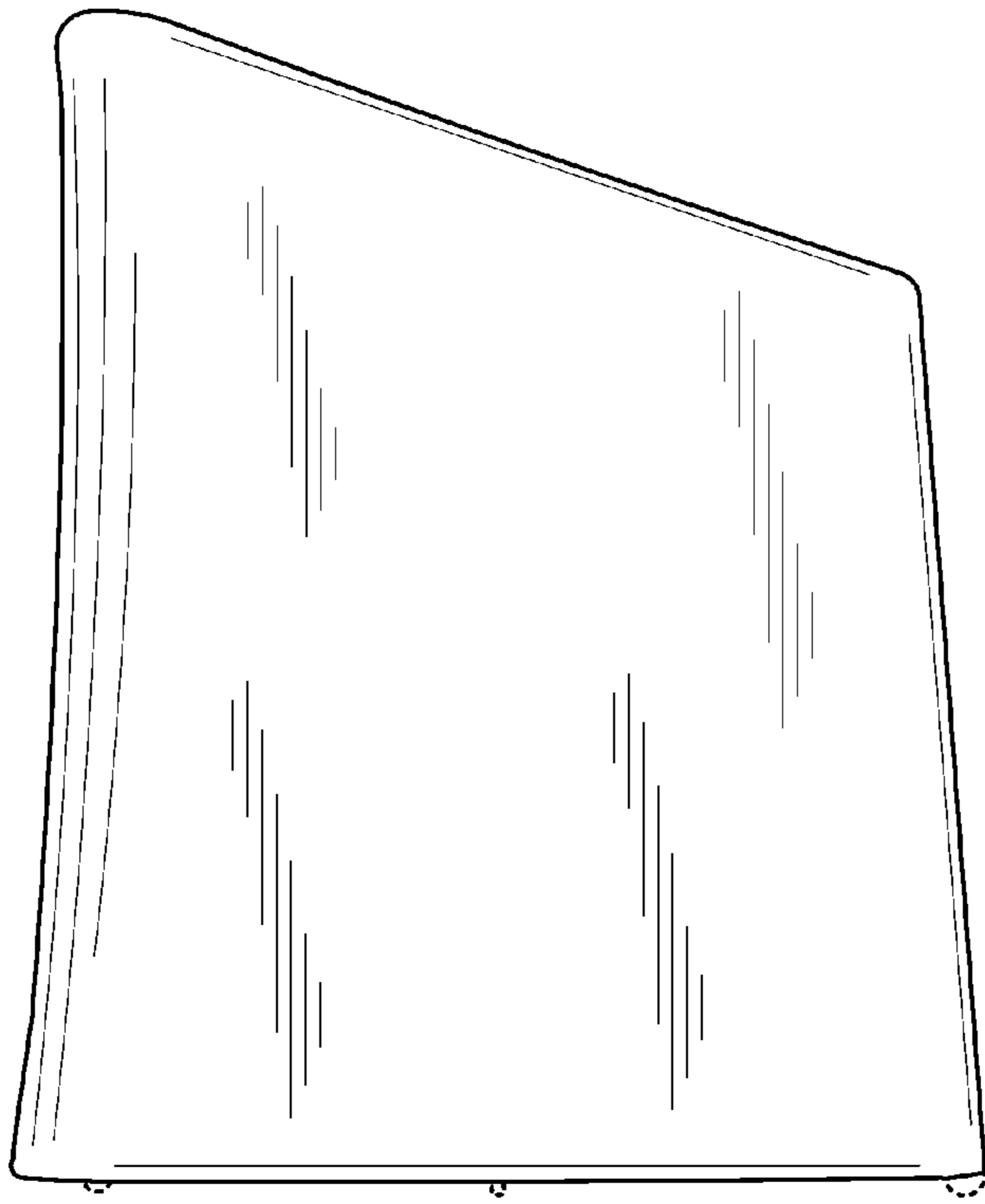


FIG. 2

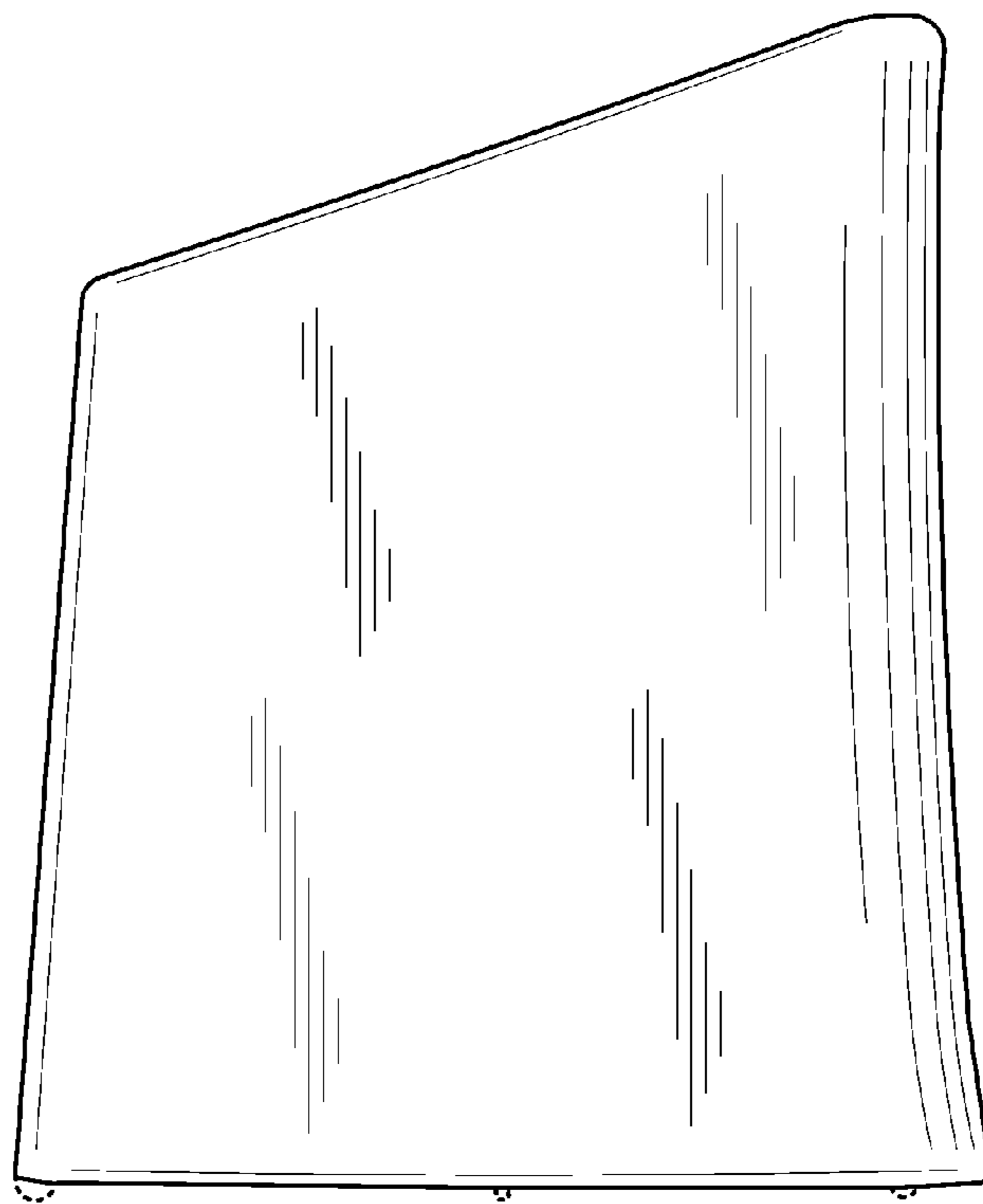


FIG. 3

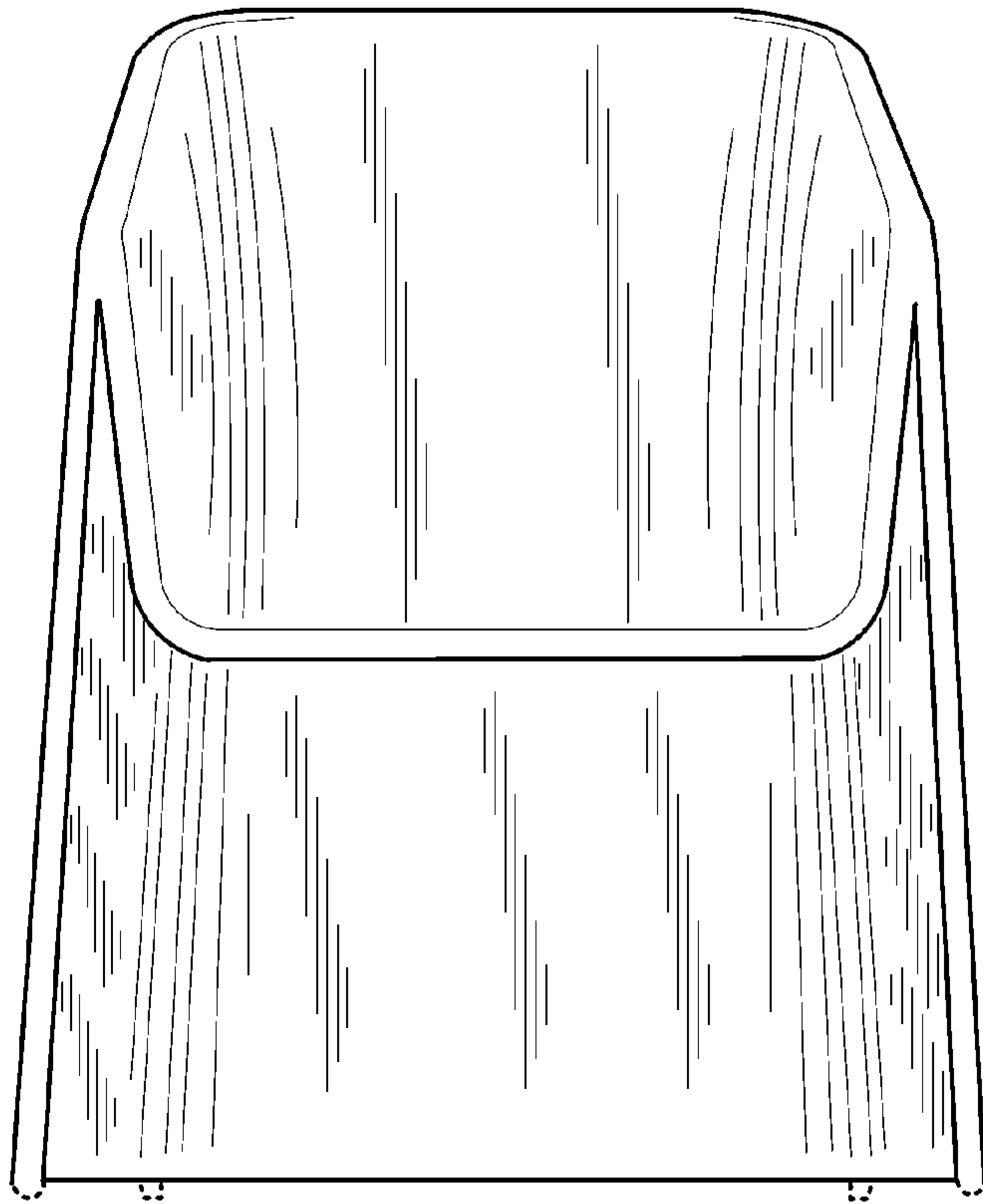


FIG. 4

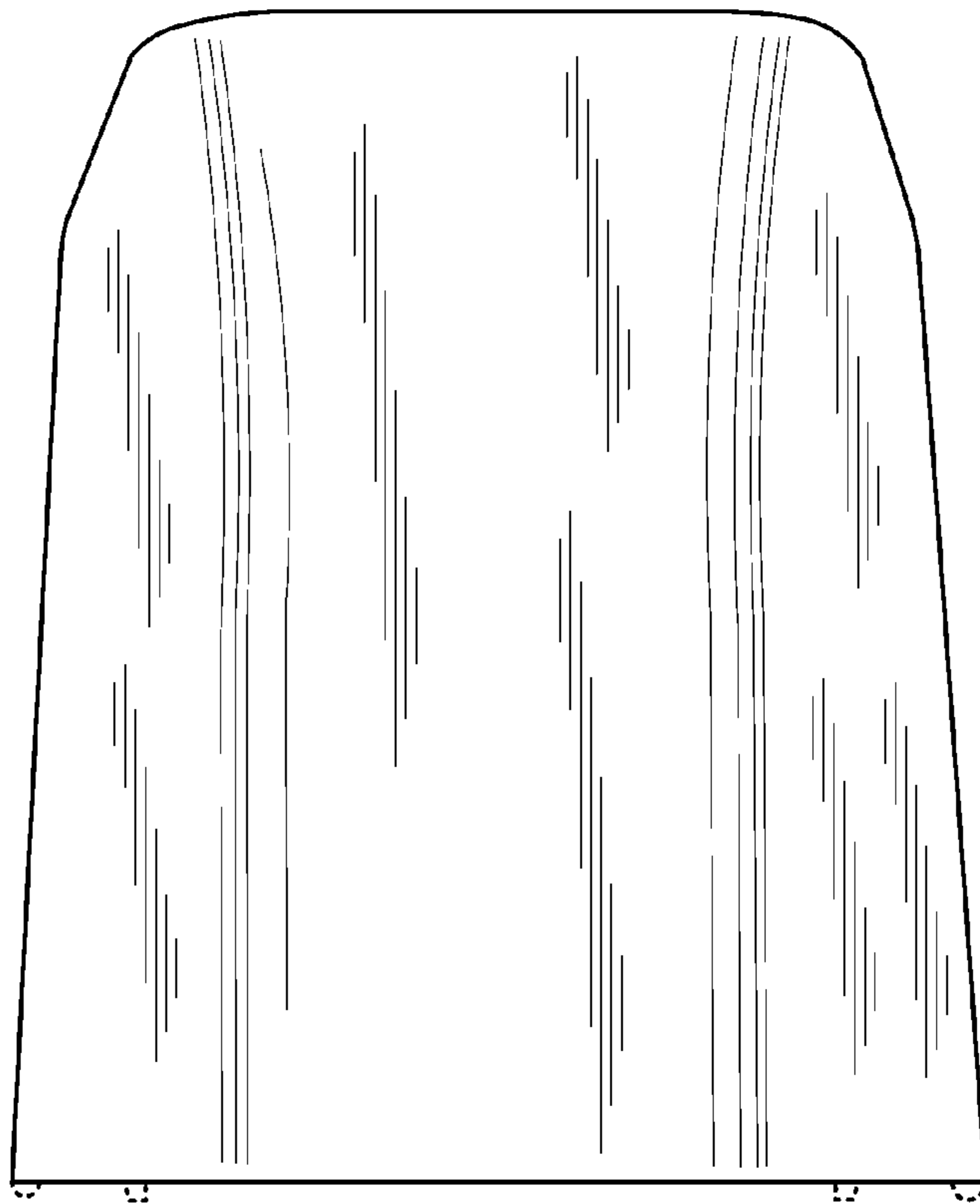


FIG. 5

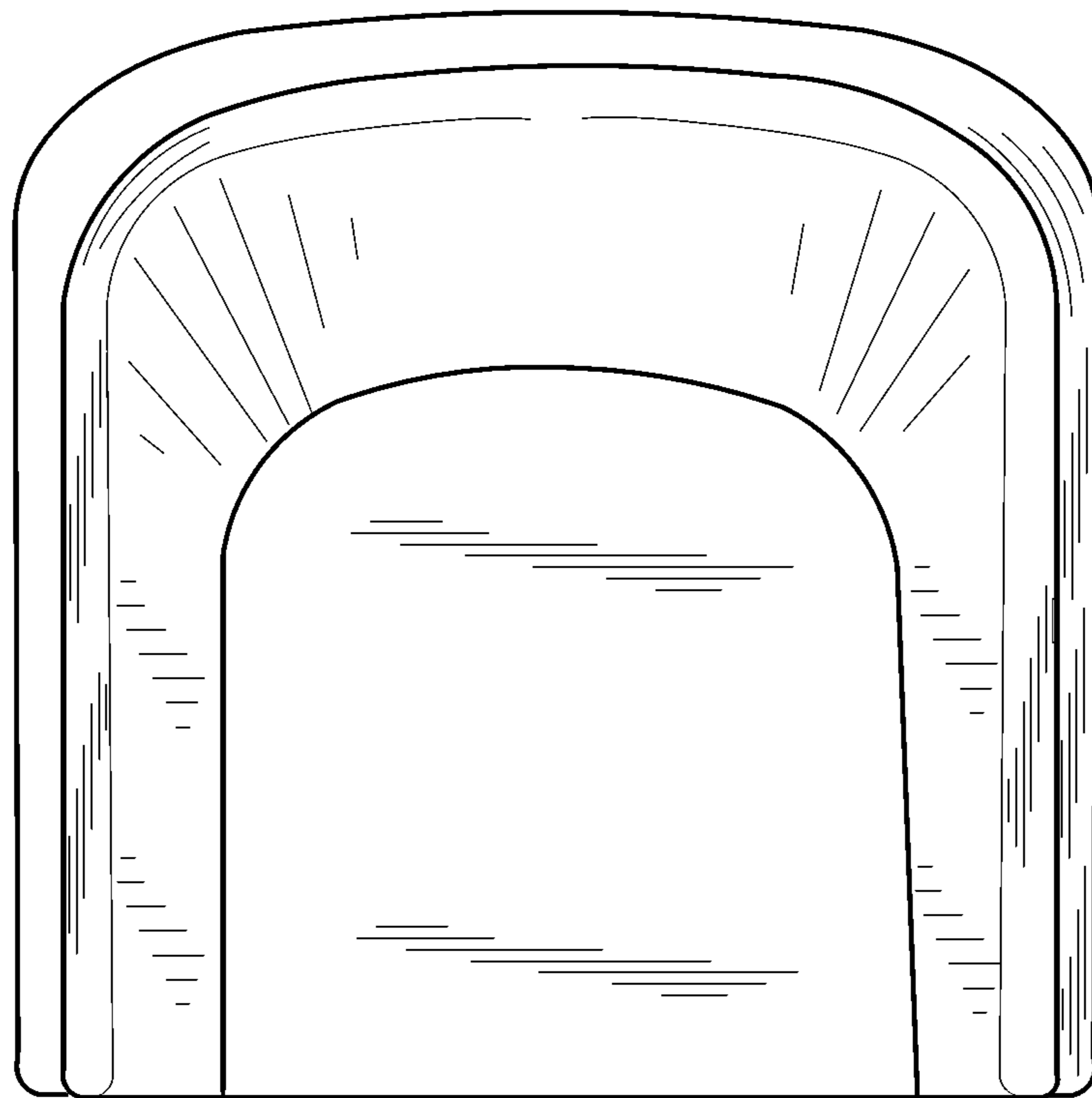


FIG. 6