



US00D682564S

(12) **United States Design Patent**
Urquiola Hidalgo

(10) **Patent No.:** **US D682,564 S**
(45) **Date of Patent:** **** *May 21, 2013**

(54) **LOUNGE CHAIR**

- (71) Applicant: **Steelcase Inc.**, Grand Rapids, MI (US)
- (72) Inventor: **Patricia Urquiola Hidalgo**, Milan (IT)
- (73) Assignee: **Steelcase Inc.**, Grand Rapids, MI (US)
- (*) Notice: This patent is subject to a terminal disclaimer.
- (**) Term: **14 Years**
- (21) Appl. No.: **29/437,700**
- (22) Filed: **Nov. 20, 2012**

Related U.S. Application Data

- (62) Division of application No. 29/419,409, filed on Apr. 27, 2012.
- (51) **LOC (9) Cl.** **06-01**
- (52) **U.S. Cl.**
USPC **D6/334**
- (58) **Field of Classification Search** D6/334-338,
D6/349, 355, 361, 368-370, 376, 379-381,
D6/492, 500-502; 297/16.1, 42, 94, 135,
297/175, 232, 233, 350, 351, 445.1, 448.1,
297/448.2, 451.9; 5/12.1, 12.2
See application file for complete search history.

(56) **References Cited**

U.S. PATENT DOCUMENTS

- 2,334,297 A 11/1943 Talimer
- 2,599,396 A 6/1952 Kronheim
- 2,615,502 A 10/1952 Schneider

(Continued)

FOREIGN PATENT DOCUMENTS

JP 2006174931 A 7/2006

OTHER PUBLICATIONS

The furni Italian contemporary, downloaded from <http://www.fenicie.com/the-furni-italian-contemporary-the-better-reviews-the-better-furniture>, on Mar. 28, 2012 (5 pages).

Primary Examiner — Sandra Snapp

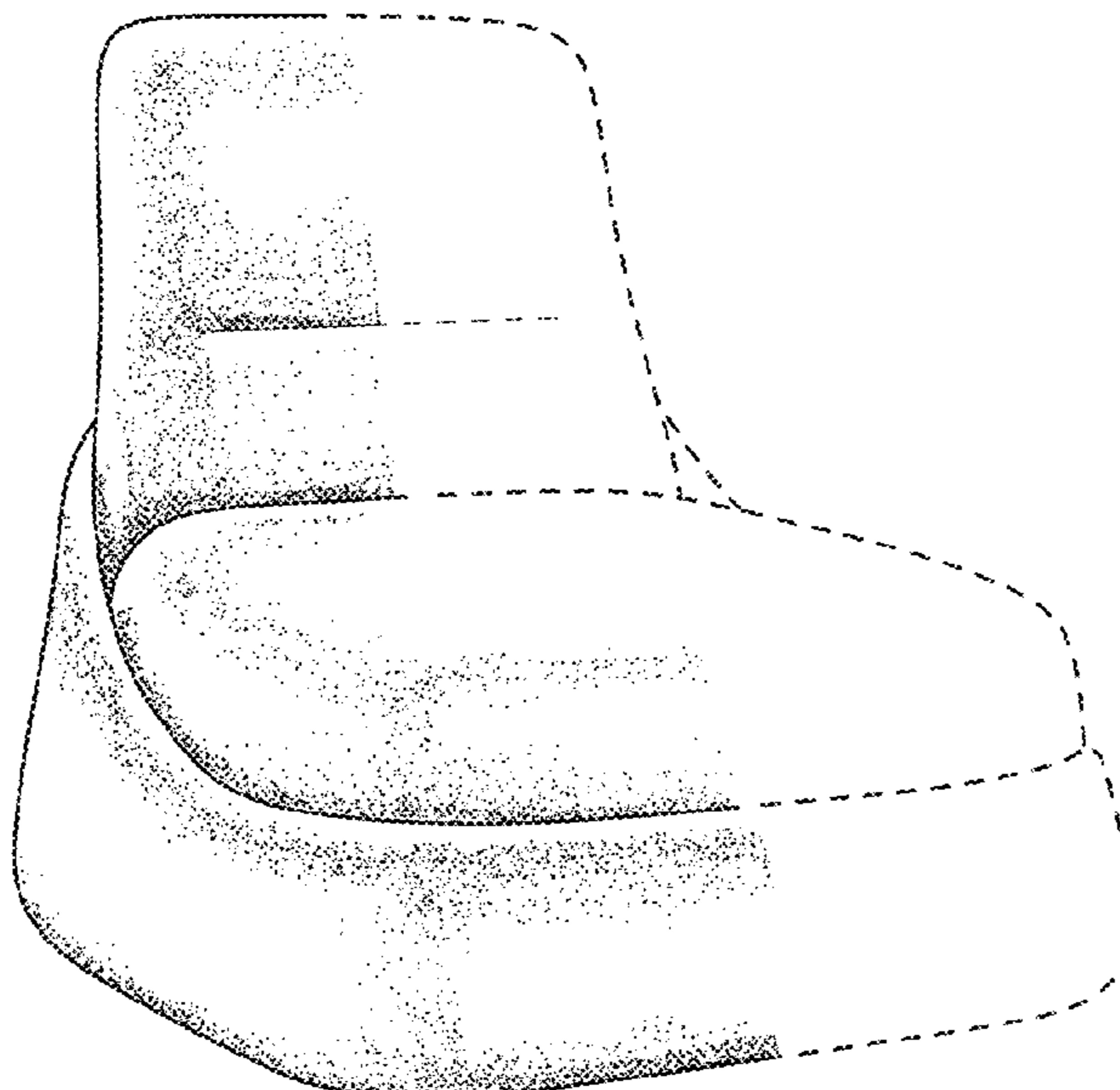
(57) **CLAIM**

I claim the ornamental design for a lounge chair, as shown and described.

DESCRIPTION

FIG. 1 is a front perspective view of a lounge chair, according to a first embodiment;
 FIG. 2 is a right side view of a lounge chair of FIG. 1;
 FIG. 3 is a front view of a lounge chair of FIG. 1;
 FIG. 4 is a rear view of a lounge chair of FIG. 1;
 FIG. 5 is a top view of a lounge chair of FIG. 1;
 FIG. 6 is a bottom view of a lounge chair of FIG. 1;
 FIG. 7 is a front perspective view of a lounge chair, according to a second embodiment;
 FIG. 8 is a left side view of a lounge chair of FIG. 7;
 FIG. 9 is a front view of a lounge chair of FIG. 7;
 FIG. 10 is a rear view of a lounge chair of FIG. 7;
 FIG. 11 is a top view of a lounge chair of FIG. 7; and,
 FIG. 12 is a bottom view of a lounge chair of FIG. 7.
 The dashed lines are for purposes of illustrating environmental structure and form no part of the claimed design.

1 Claim, 6 Drawing Sheets



US D682,564 S

Page 2

U.S. PATENT DOCUMENTS

D213,190 S *	1/1969	Watari	D6/334	D416,704 S	11/1999	Mourgue	
3,736,023 A	5/1973	Lyons		D420,520 S	2/2000	Johnston	
D227,201 S *	6/1973	Scott	D6/365	D424,314 S	5/2000	Linder	
3,742,526 A	7/1973	Lilard		D426,076 S	6/2000	Peterson	
3,751,739 A	8/1973	Assmann		D431,694 S	10/2000	Copple	
D228,595 S	10/1973	Korch		D431,724 S	10/2000	Peterson	
3,893,731 A	7/1975	Maggs		D431,914 S	10/2000	Lewis	
3,902,759 A	9/1975	Monteforte et al.		D434,237 S	11/2000	Binder et al.	
D237,662 S	11/1975	Subert		D435,355 S	12/2000	Peterson	
D238,527 S *	1/1976	Bernard	D6/334	6,170,908 B1	1/2001	Jewell	
D239,795 S	5/1976	Bernard		D437,128 S	2/2001	Binder et al.	
D242,964 S *	1/1977	Haynes, Sr.	D6/377	6,270,155 B1	8/2001	Rashid	
D243,045 S *	1/1977	Haynes, Sr.	D6/377	D452,386 S	12/2001	Mourgue	
D243,047 S *	1/1977	Haynes, Sr.	D6/377	D466,313 S	12/2002	Hutton	
D244,569 S	6/1977	Laroye		6,668,394 B2	12/2003	Walpin	
D245,297 S	8/1977	Curtin		D487,984 S	4/2004	Natuzzi	
D245,298 S	8/1977	Brahm		D501,112 S	1/2005	Kasatshko et al.	
D246,492 S	11/1977	Roset		D504,781 S	5/2005	Suzuki et al.	
D249,102 S	8/1978	Pelly		D505,277 S	5/2005	Tapinassi et al.	
D250,860 S	1/1979	Castro		D505,560 S	5/2005	Hutton et al.	
D252,489 S	7/1979	Petersilie		D508,787 S	8/2005	Natuzzi	
D252,782 S	9/1979	Roset		D539,045 S *	3/2007	Mourgue	D6/334
D254,345 S	3/1980	Labor		D539,046 S	3/2007	Bouroullec et al.	
D257,087 S	9/1980	Roset		D548,986 S	8/2007	McCoy et al.	
D261,830 S	11/1981	Marks		D549,471 S	8/2007	Bauchet	
D261,834 S	11/1981	Stebbins		D549,971 S	9/2007	Jourdan	
D262,676 S	1/1982	Roset		D550,464 S	9/2007	Bauchet	
D266,715 S	11/1982	Tiffany, III		D552,853 S	10/2007	Goodrick	
D269,482 S	6/1983	Ungaro		D552,854 S	10/2007	Tseng	
D274,576 S	7/1984	Tiffany		D559,576 S	1/2008	Bauchet	
D278,004 S	3/1985	Sigona		D571,565 S	6/2008	Cheng	
D280,365 S	9/1985	Hopfer		D579,222 S	10/2008	Schmitt	
D282,126 S	1/1986	Hopfer		D587,911 S	3/2009	Pearson et al.	
D303,735 S	10/1989	Haukvik et al.		D596,862 S	7/2009	Paulin	
D304,394 S	11/1989	Harmer		D600,029 S	9/2009	Paulin	
D308,768 S	6/1990	Ferro		D609,481 S	2/2010	Young-it et al.	
D310,452 S	9/1990	Hopfer		D609,931 S	2/2010	Young-it et al.	
D312,000 S	11/1990	Smith et al.		D610,365 S	2/2010	Young-il et al.	
D315,643 S	3/1991	Guy		D610,826 S	3/2010	Nigro	
D320,892 S	10/1991	Kinard et al.		D612,161 S	3/2010	Paulin	
D335,035 S	4/1993	Floyd		D612,622 S	3/2010	Paulin	
D342,164 S	12/1993	Dalman		D617,106 S	6/2010	Giovanetti	
D358,039 S	5/1995	Fornaro		D618,466 S	6/2010	Cabrera	
D366,571 S	1/1996	Hutton		D627,574 S	11/2010	Joly	
D380,907 S	7/1997	Chandler		D627,575 S	11/2010	Joly	
D383,321 S	9/1997	Honeycutt, Sr.		D628,399 S	12/2010	Gauthier	
D390,017 S	2/1998	Lewis		D629,626 S *	12/2010	Jourdan	D6/334
D392,471 S	3/1998	Smith		7,845,703 B2	12/2010	Panzarella et al.	
D395,759 S	7/1998	Smith		D632,503 S	2/2011	Saul	
D396,757 S	8/1998	Katz et al.		D644,448 S	9/2011	Li	
D400,364 S	11/1998	Hutton		D646,496 S	10/2011	Fukasawa	
D404,210 S	1/1999	Hutton		2008/0236452 A1	10/2008	Pratt et al.	

* cited by examiner

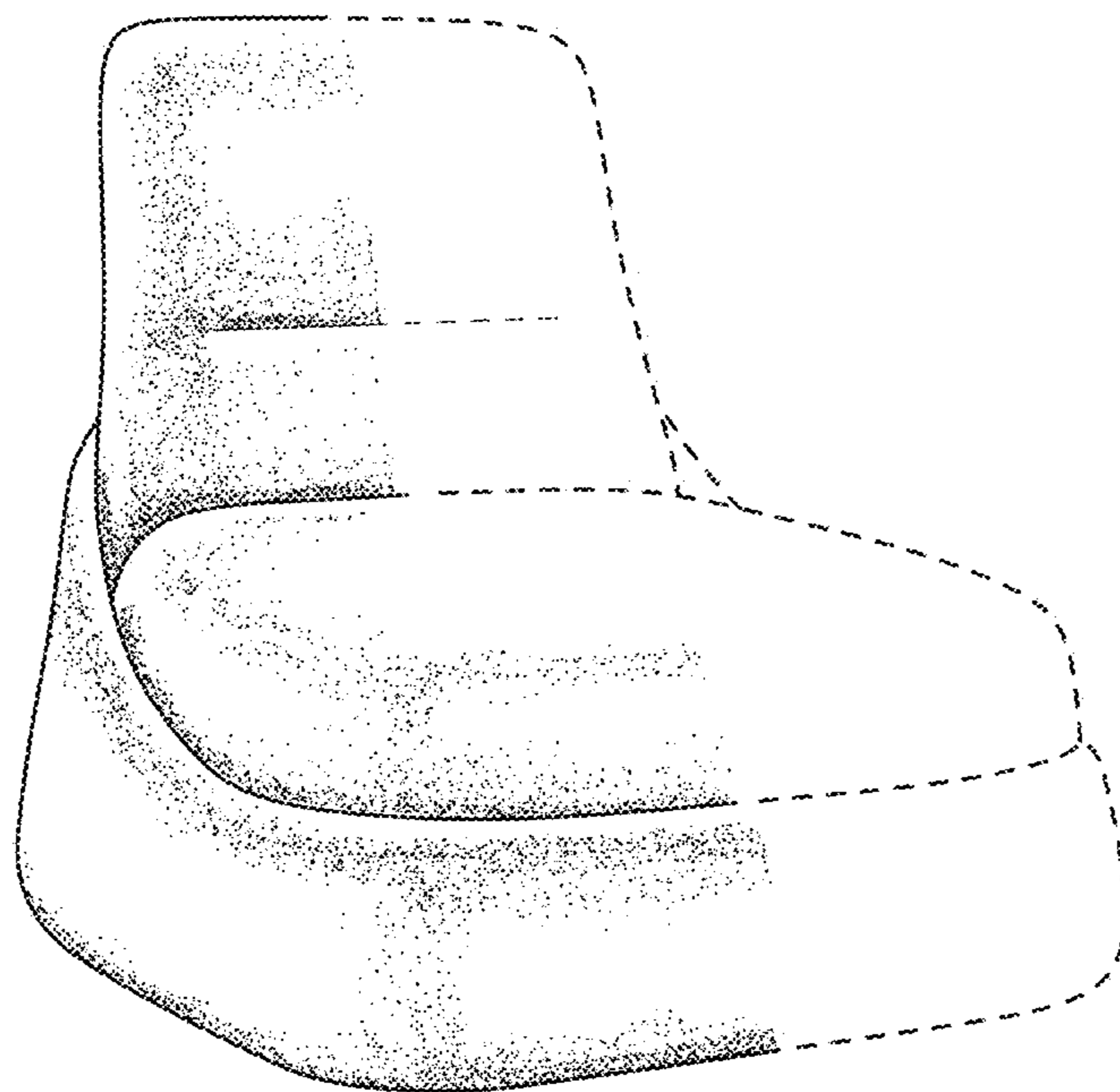


FIG. 1

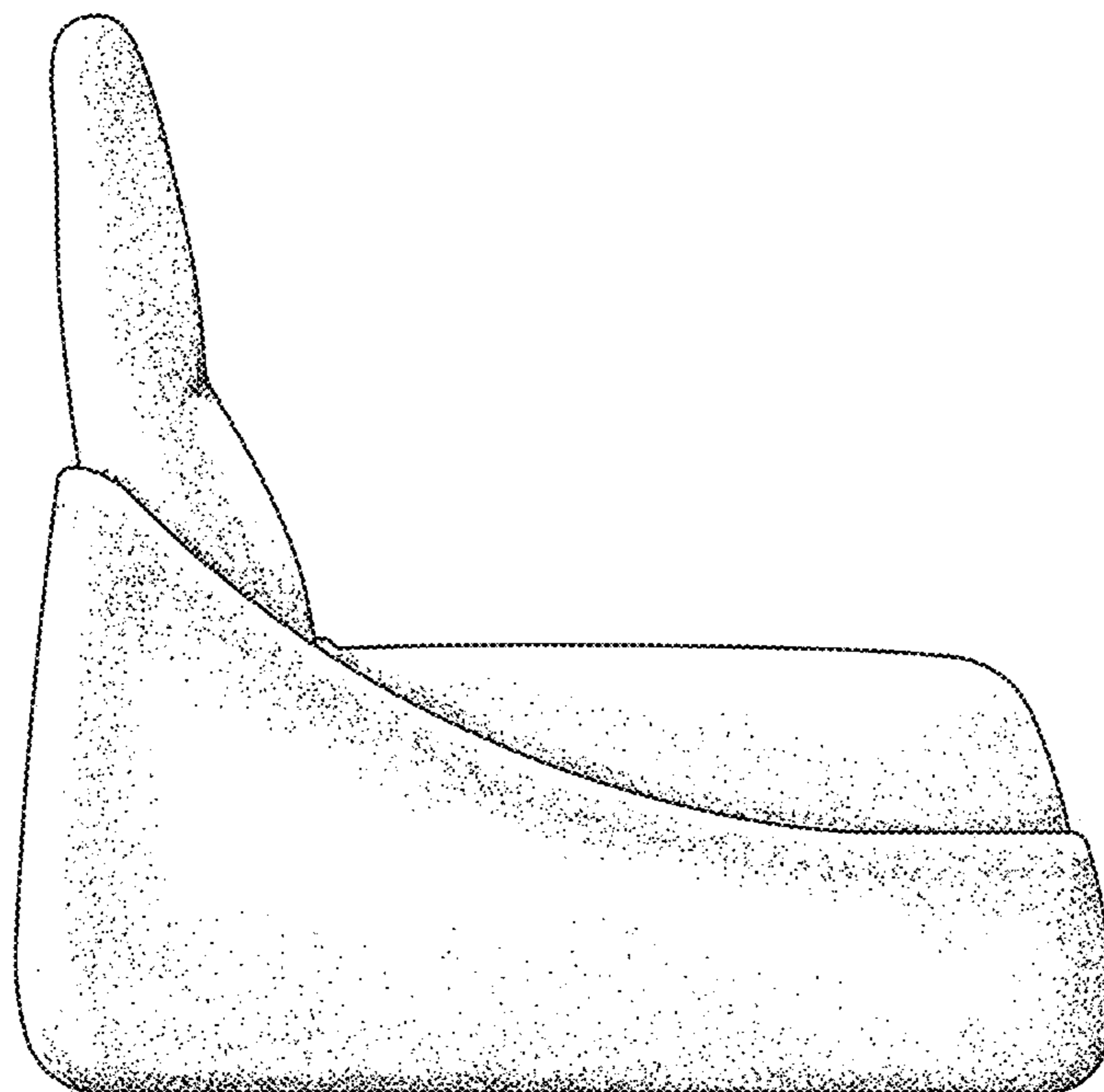


FIG. 2

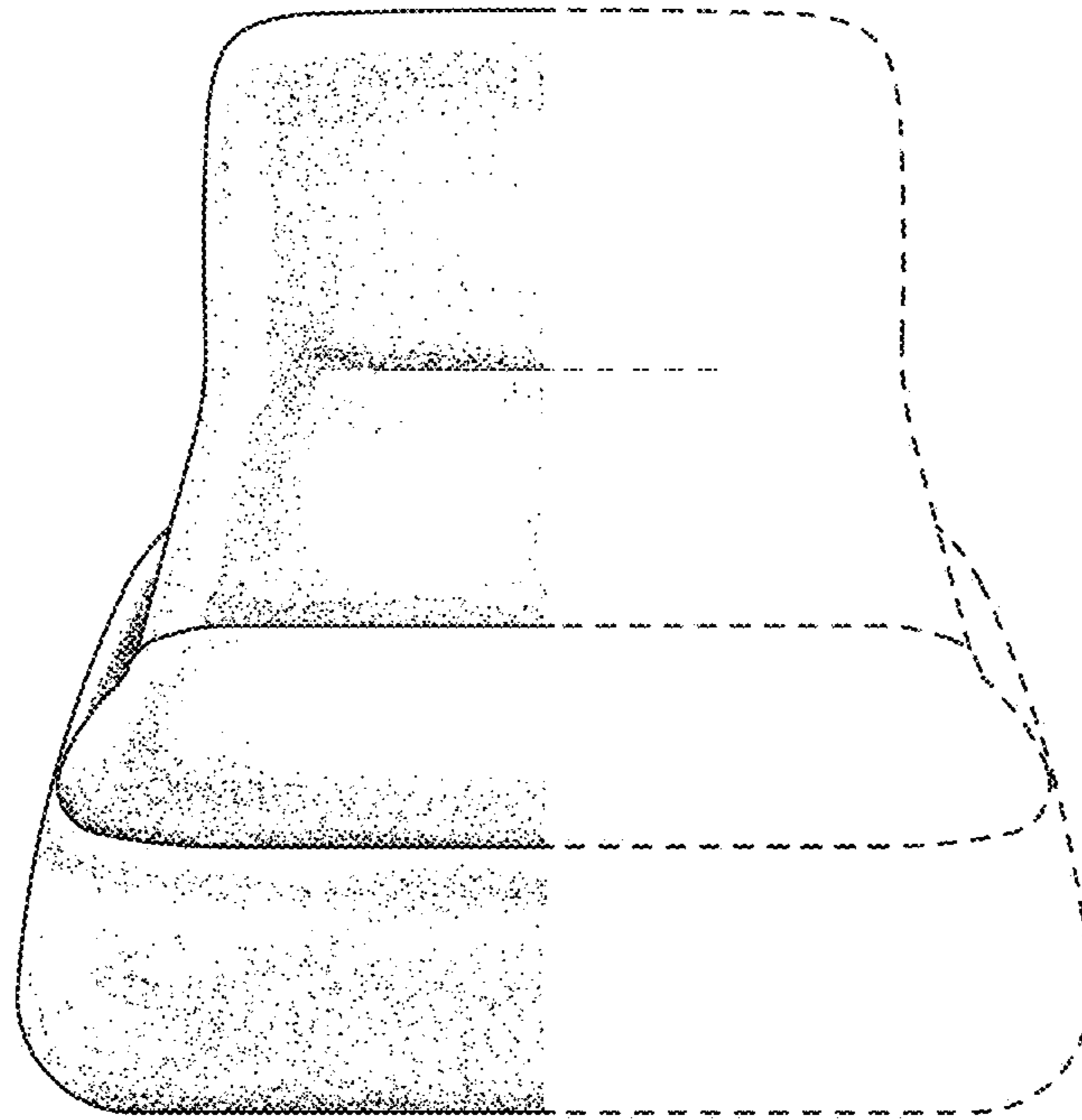


FIG. 3

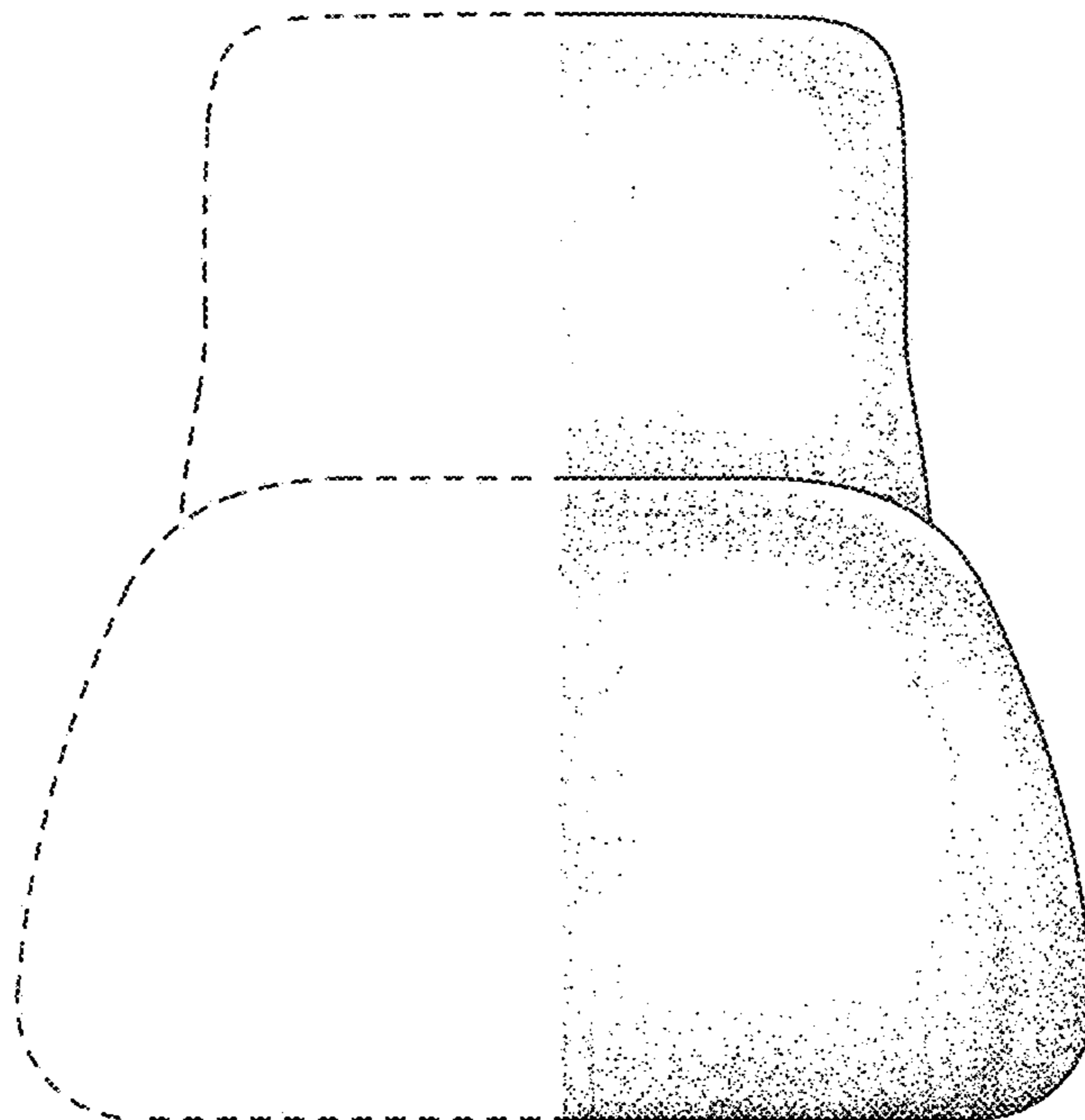


FIG. 4

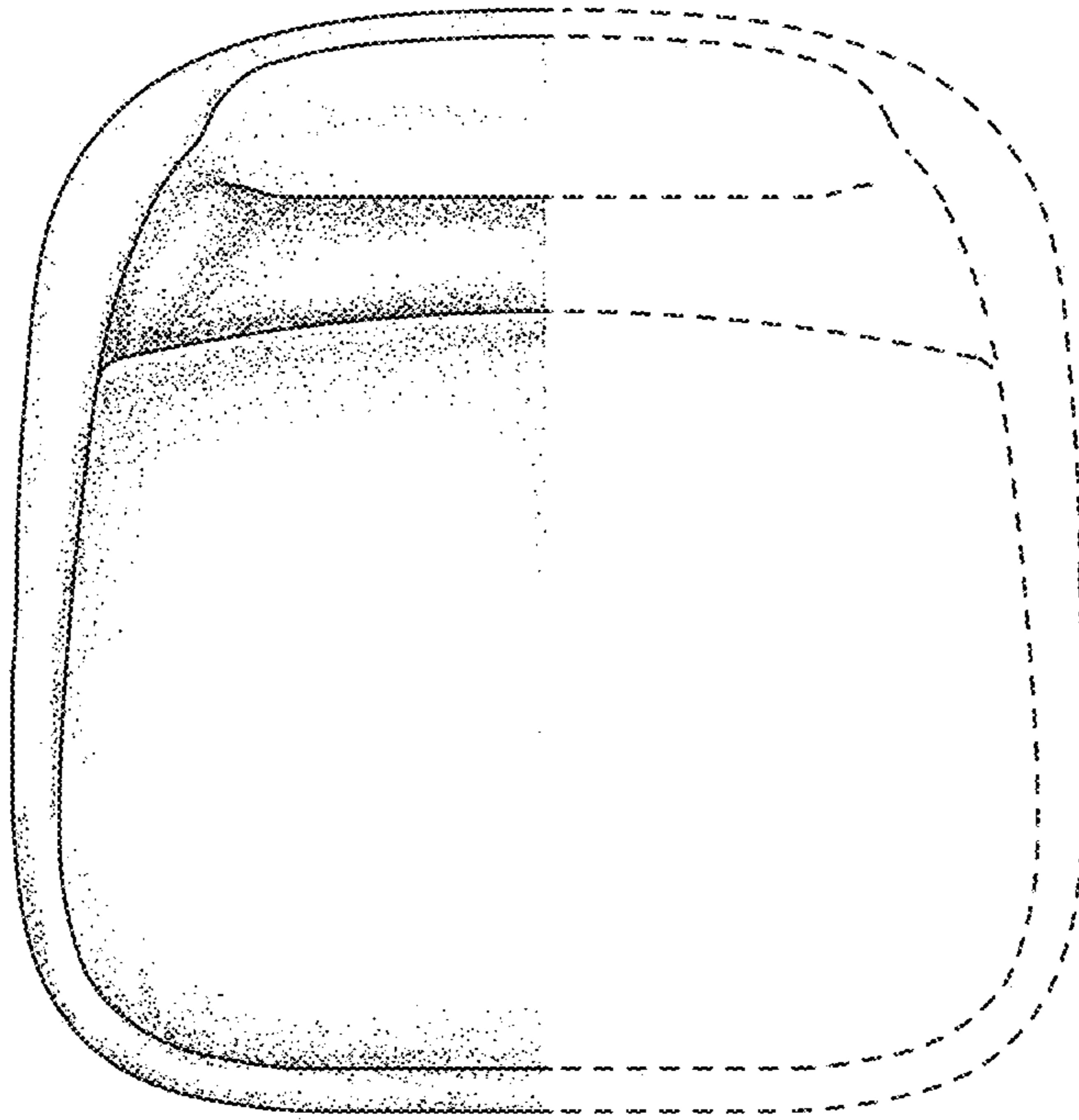


FIG. 5

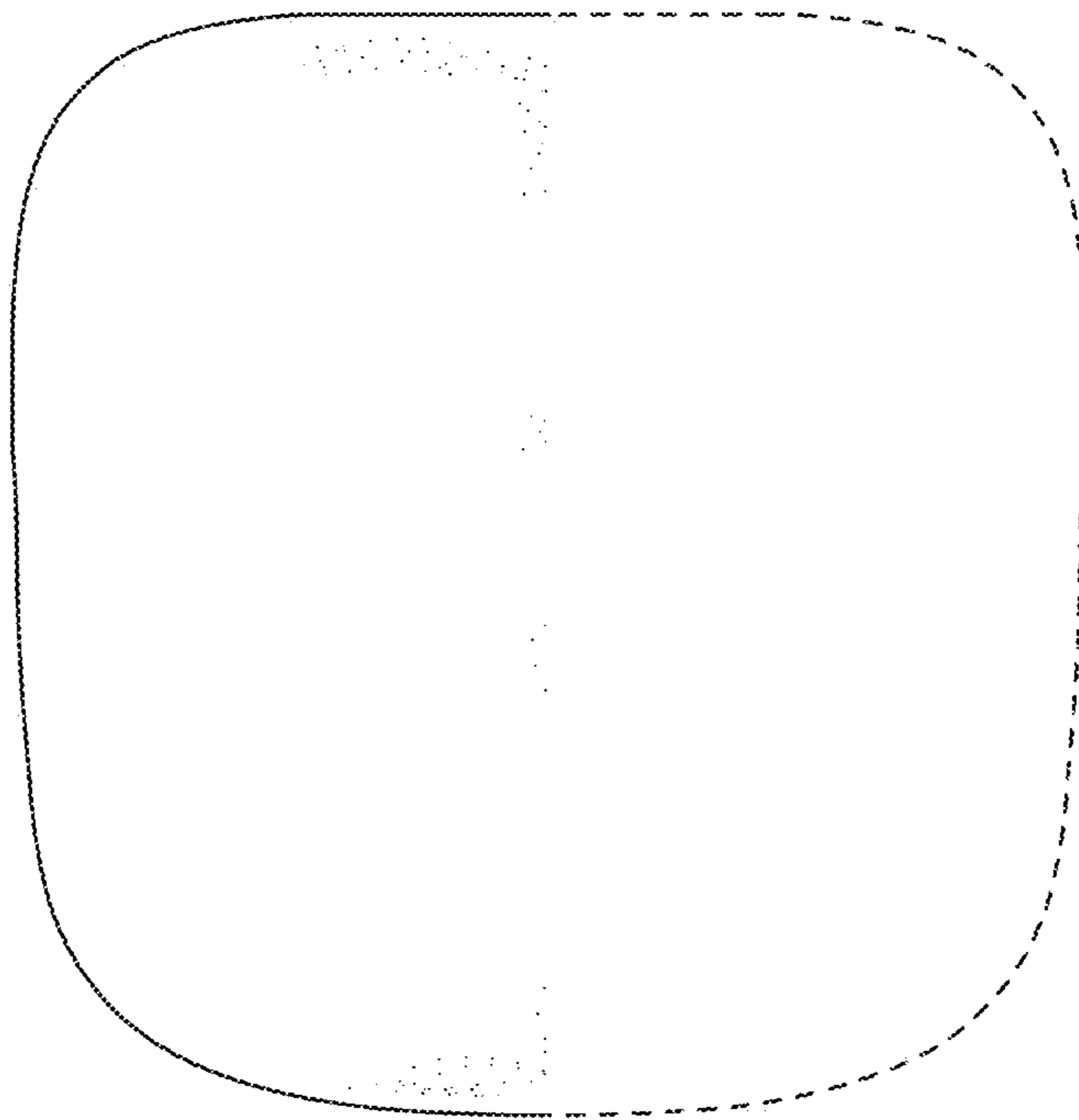


FIG. 6

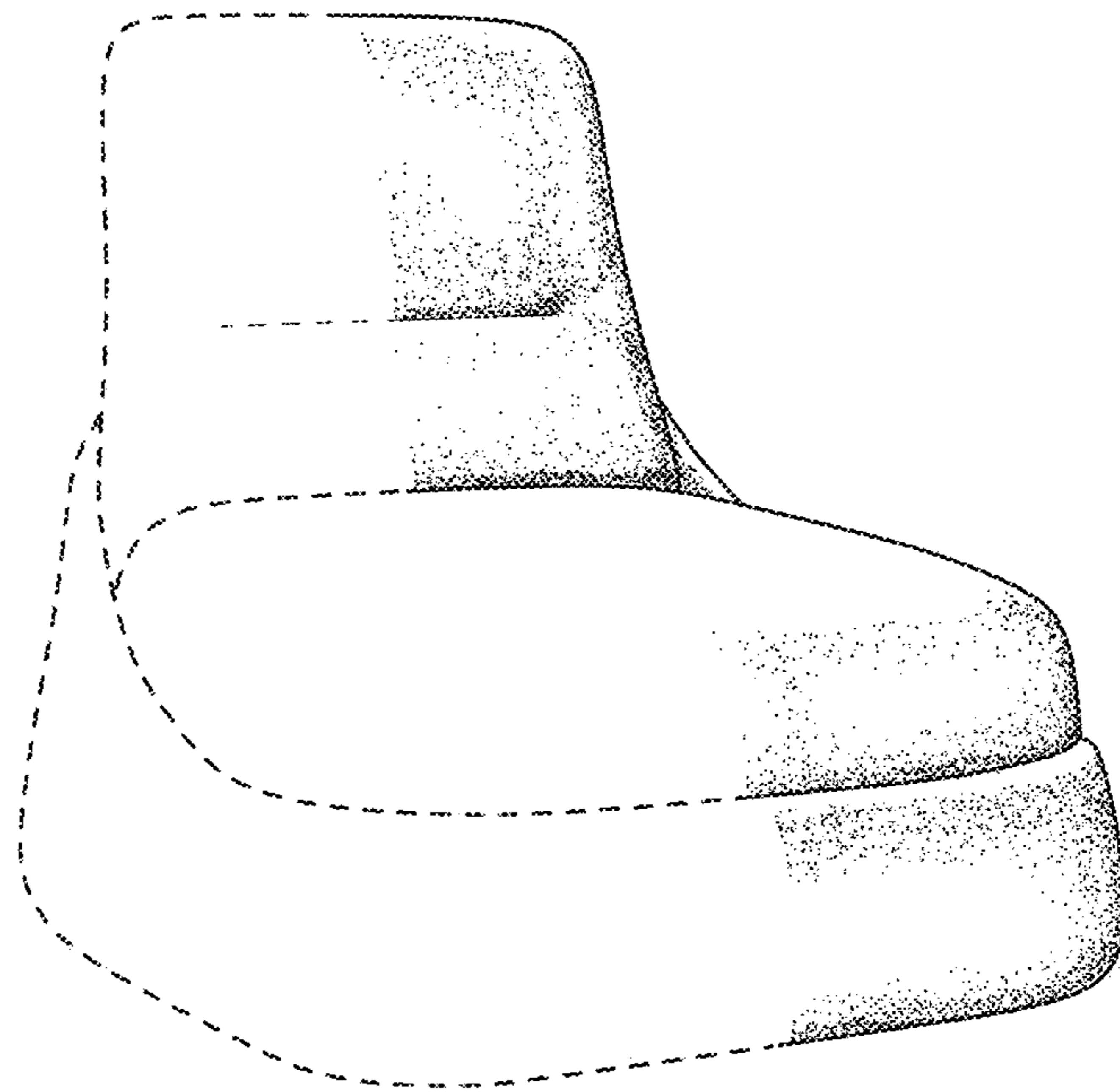


FIG. 7

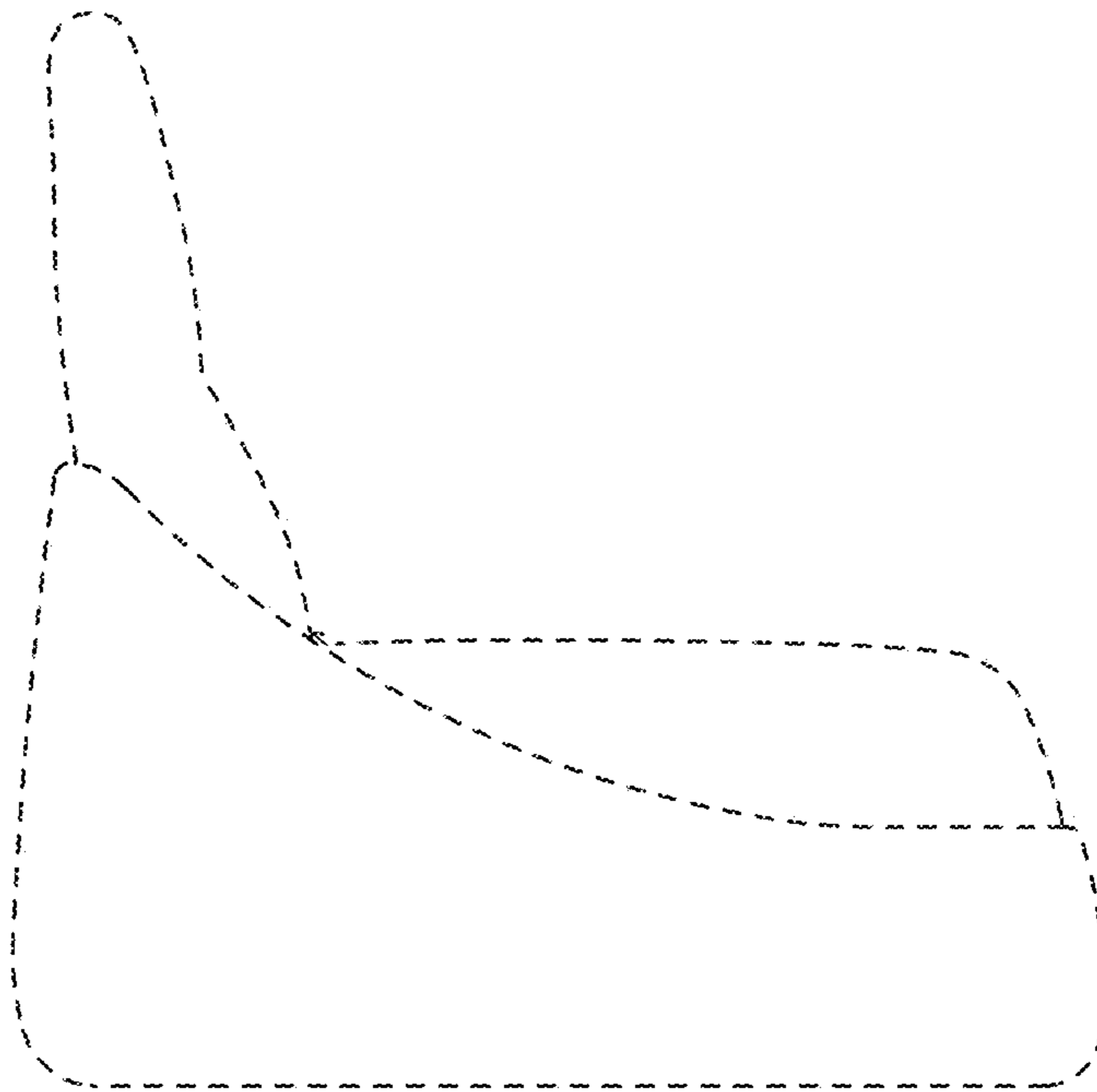


FIG. 8

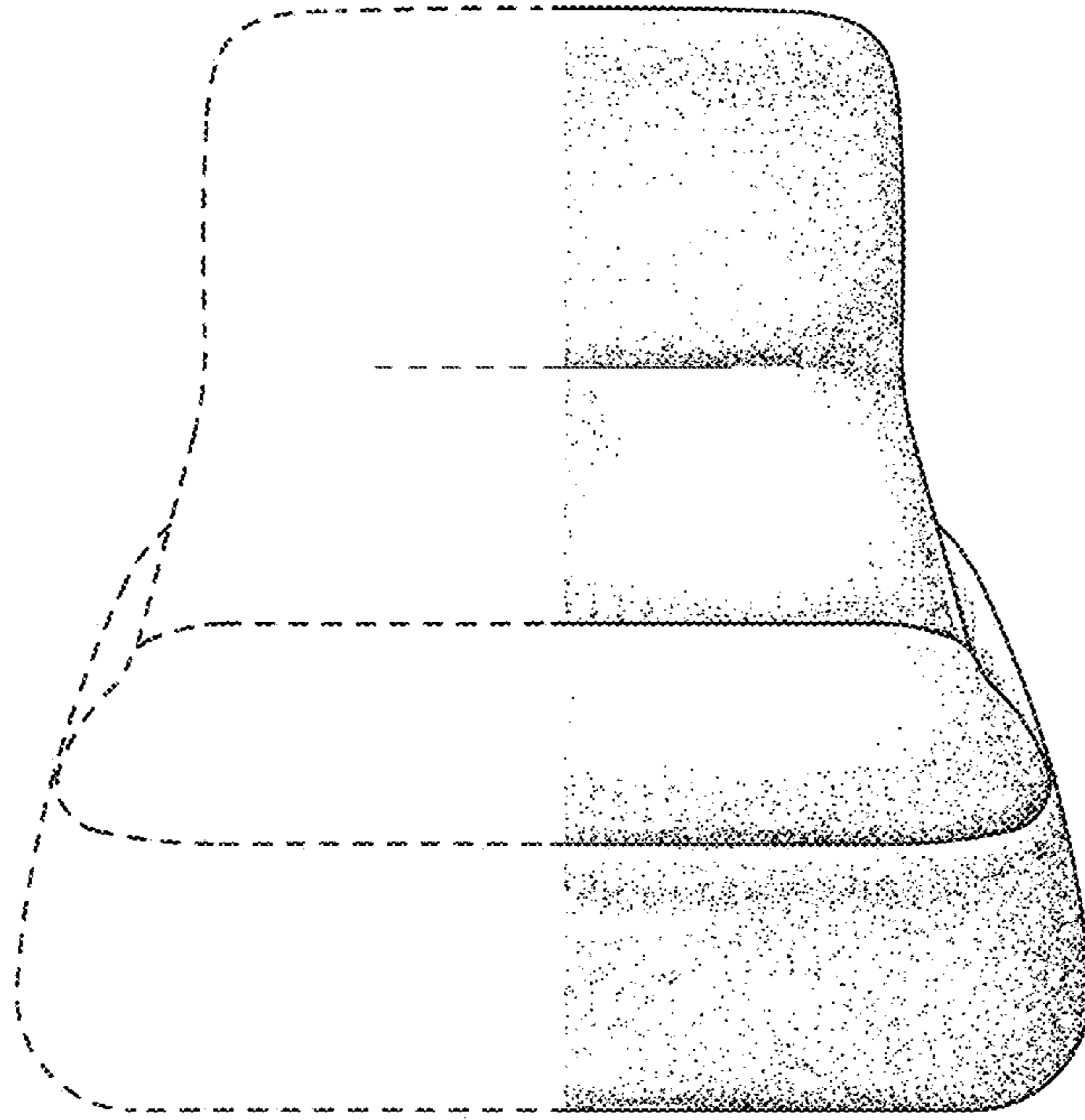


FIG. 9

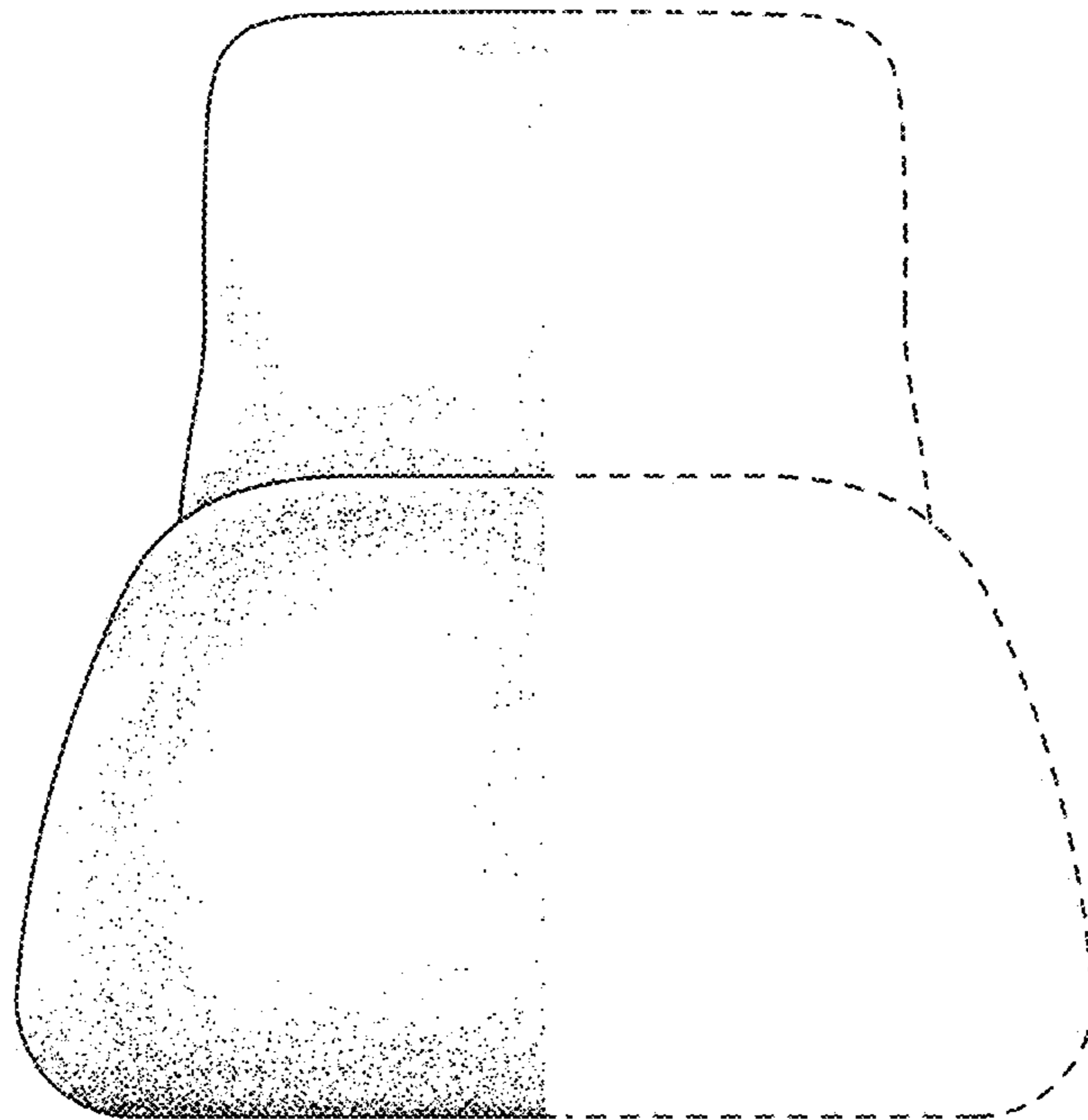


FIG. 10

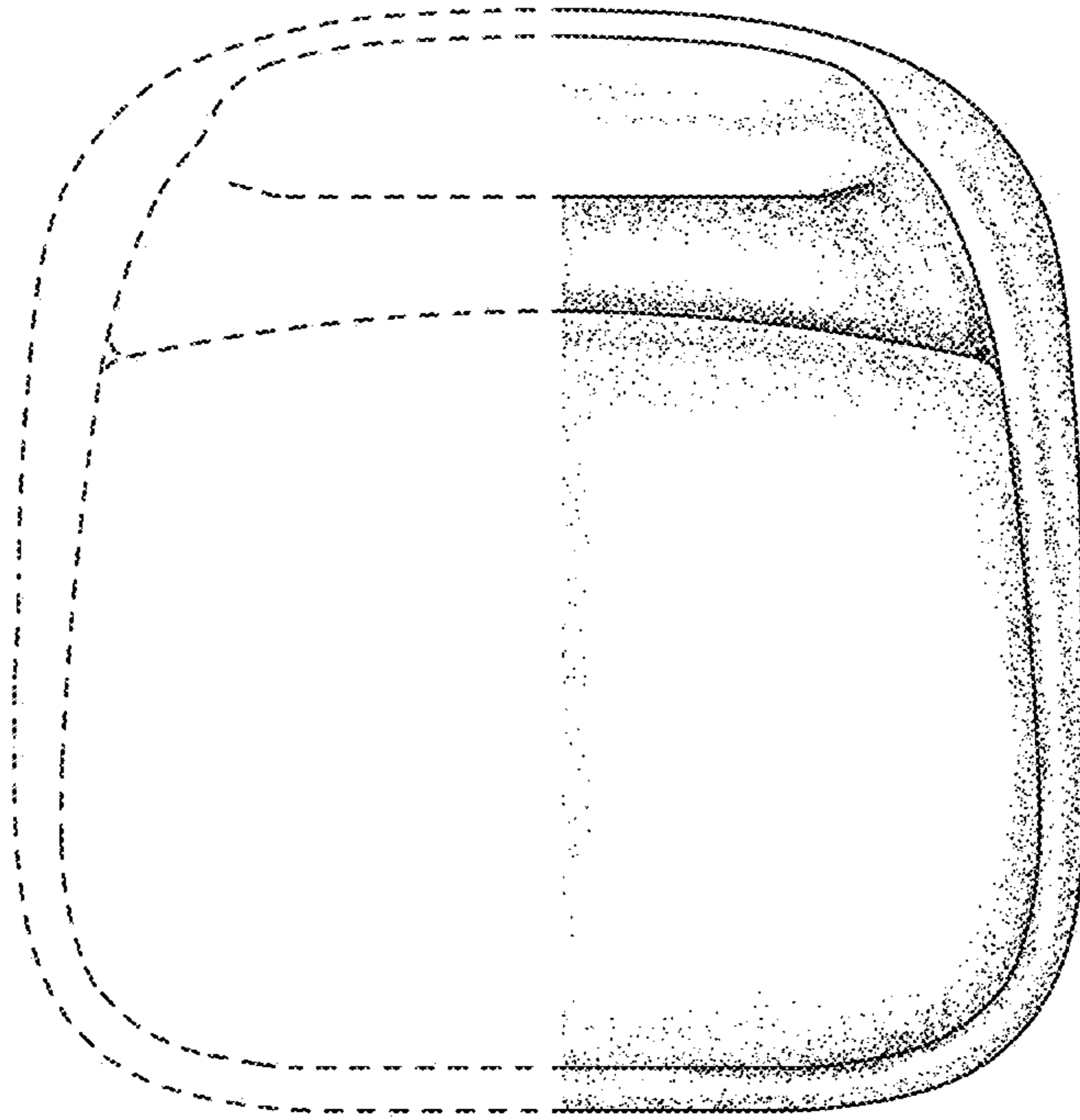


FIG. 11

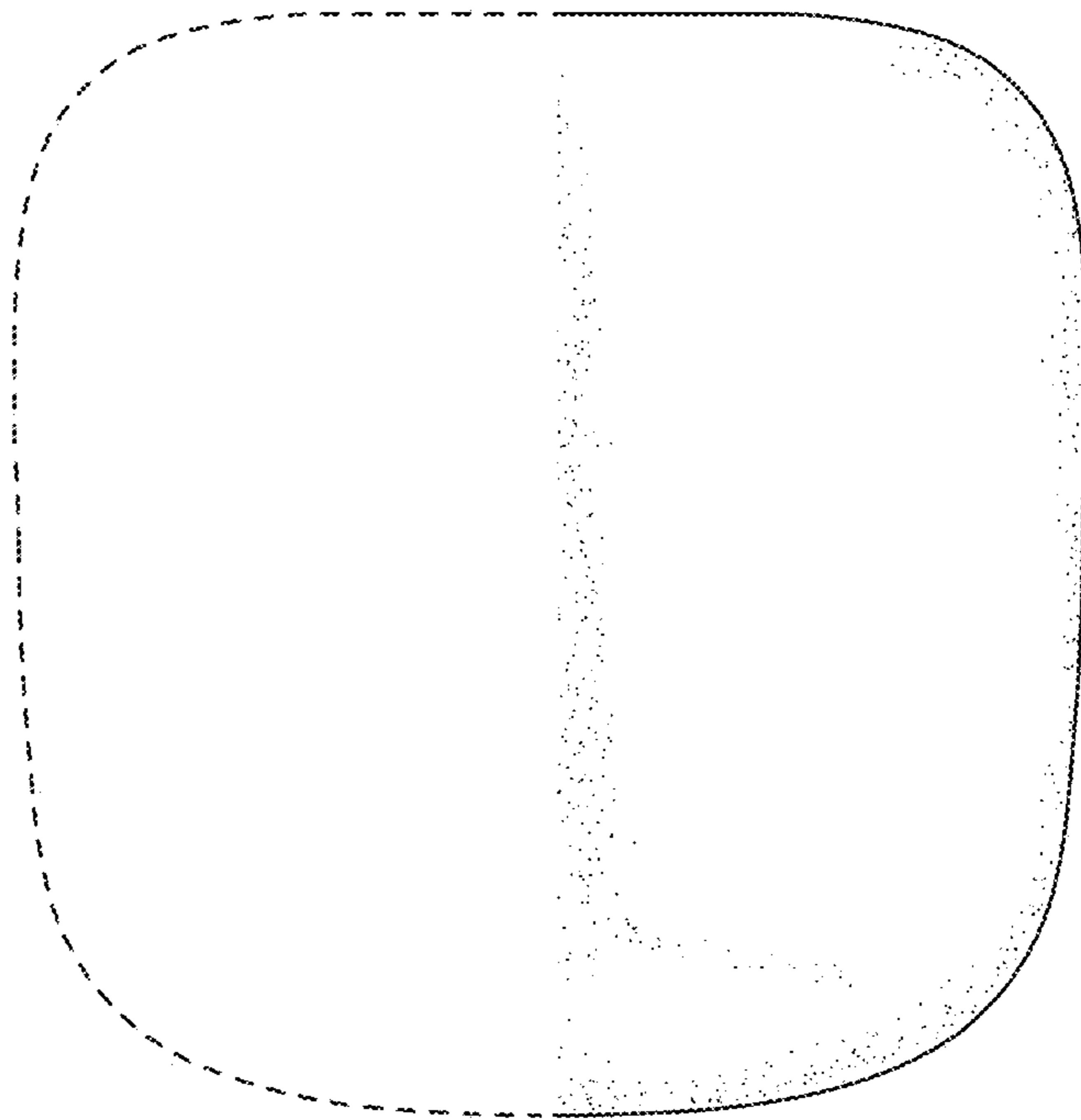


FIG. 12

UNITED STATES PATENT AND TRADEMARK OFFICE
CERTIFICATE OF CORRECTION

PATENT NO. : D682,564 S
APPLICATION NO. : 29/437700
DATED : May 21, 2013
INVENTOR(S) : Patricia Urquiola Hidalgo

Page 1 of 1

It is certified that error appears in the above-identified patent and that said Letters Patent is hereby corrected as shown below:

Title Page, Item (62), replace “Division of application No. 29/419,409, filed on Apr. 27, 2012” with
-- Continuation of application No. 29/419,409, filed on Apr. 27, 2012. --.

Signed and Sealed this
Sixth Day of August, 2013



Teresa Stanek Rea
Acting Director of the United States Patent and Trademark Office