



US00D682562S

(12) **United States Design Patent**  
**Plested et al.**

(10) **Patent No.:** **US D682,562 S**

(45) **Date of Patent:** **\*\* \*May 21, 2013**

(54) **CHAIR**

(75) Inventors: **Nigel Plested**, London (GB); **Richard Shaw**, Lancashire (GB)

(73) Assignee: **Mamas and Papas (Holding) Limited**, Huddersfield (GB)

(\*) Notice: This patent is subject to a terminal disclaimer.

(\*\*) Term: **14 Years**

(21) Appl. No.: **29/294,302**

(22) Filed: **Jan. 3, 2008**

(51) **LOC (9) Cl.** ..... **06-01**

(52) **U.S. Cl.**  
USPC ..... **D6/333**

(58) **Field of Classification Search** ..... D6/333,  
D6/335, 339, 491, 500-502; D12/129; D21/412,  
D21/419; 280/30, 31; 5/94, 98.1, 99.1, 101,  
5/102, 105, 655; 297/183.1, 183.2, 183.3,  
297/183.4, 184.13, 184.15, 184.17, 250.1,  
297/255, 256.1, 256.15, 256.16

See application file for complete search history.

(56) **References Cited**

U.S. PATENT DOCUMENTS

2,586,262	A *	2/1952	Robins	.....	5/120
2,848,040	A *	8/1958	Chernivsky	.....	297/296
3,110,519	A *	11/1963	Chernivsky	.....	297/285
3,235,306	A *	2/1966	Chernivsky	.....	297/296
3,656,808	A *	4/1972	Chang	.....	297/451.4
4,188,678	A *	2/1980	Rawolle	.....	5/105
4,553,786	A *	11/1985	Lockett et al.	.....	297/440.1
D282,791	S *	3/1986	Lockett et al.	.....	D6/333
D297,685	S *	9/1988	Wilson	.....	D6/348

D321,599	S *	11/1991	Takahashi et al.	.....	D6/333
5,187,826	A *	2/1993	Mariol	.....	5/655
D337,894	S *	8/1993	Mariol	.....	D6/333
D343,958	S *	2/1994	Greenwood	.....	D6/333
5,360,258	A *	11/1994	Alvizatos	.....	297/440.11
5,460,430	A *	10/1995	Miga et al.	.....	297/452.13
5,503,458	A *	4/1996	Petrie	.....	297/452.13
5,694,655	A *	12/1997	Shepler et al.	.....	5/105
D440,412	S *	4/2001	Huang	.....	D6/333
D447,879	S *	9/2001	Hsia	.....	D6/333
6,341,816	B1 *	1/2002	Chen et al.	.....	297/16.1
6,378,940	B1 *	4/2002	Longoria et al.	.....	297/217.3
D468,544	S *	1/2003	Myers	.....	D6/334
6,592,425	B2 *	7/2003	Bapst et al.	.....	446/227
6,594,840	B2 *	7/2003	Tomas et al.	.....	5/655
D478,220	S *	8/2003	Chang	.....	D6/348
6,616,237	B2 *	9/2003	Sonner et al.	.....	297/440.22
6,629,727	B2 *	10/2003	Asbach et al.	.....	297/188.21
D482,851	S *	12/2003	McClaskie	.....	D2/956

(Continued)

*Primary Examiner* — Sandra Snapp

(74) *Attorney, Agent, or Firm* — Epstein Drangel LLP;  
Robert L. Epstein

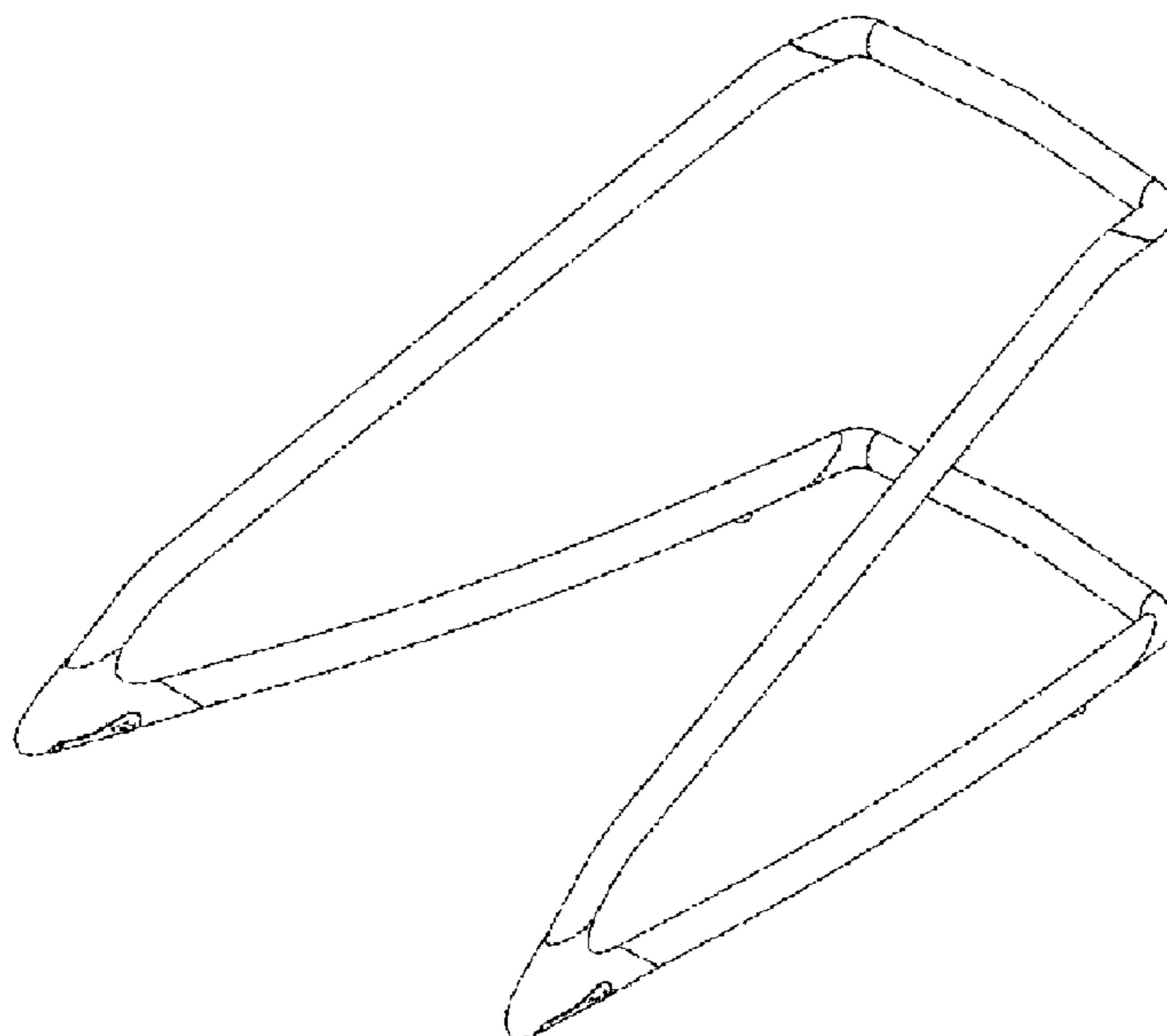
(57) **CLAIM**

The ornamental design for a chair, substantially as shown and described.

**DESCRIPTION**

FIG. 1 is a perspective view of the chair;  
FIG. 2 is a plan view of the top of the chair;  
FIG. 3 is an elevation view of the front of the chair;  
FIG. 4 is an elevation view of the one side of the chair;  
FIG. 5 is an elevation view of the other side of the chair;  
FIG. 6 is an elevation view of the rear of the chair; and,  
FIG. 7 is a plan view of the bottom of the chair.  
The broken lines shown in the drawings are for illustrative purposes only and form no part of the claimed design.

**1 Claim, 2 Drawing Sheets**



# US D682,562 S

Page 2

---

## U.S. PATENT DOCUMENTS

6,739,649	B2 *	5/2004	Kelly et al. ....	297/16.1	D560,374	S *	1/2008	Bergkvist .....	D6/333
6,851,745	B2 *	2/2005	Wilkins et al. ....	297/16.1	2006/0181123	A1 *	8/2006	Gibree .....	297/250.1
6,869,368	B1 *	3/2005	Clarke et al. ....	472/29					

\* cited by examiner

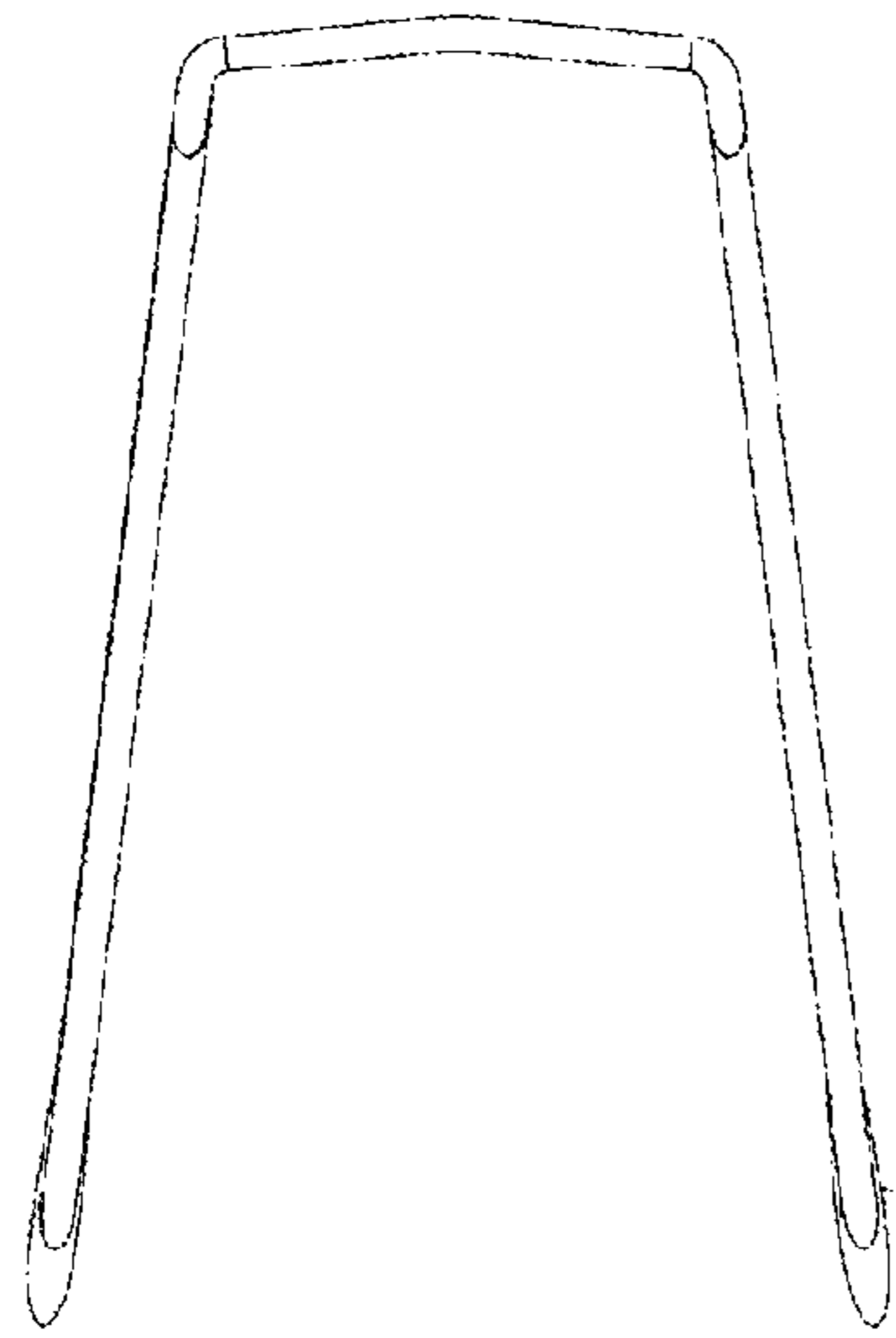


Fig. 2

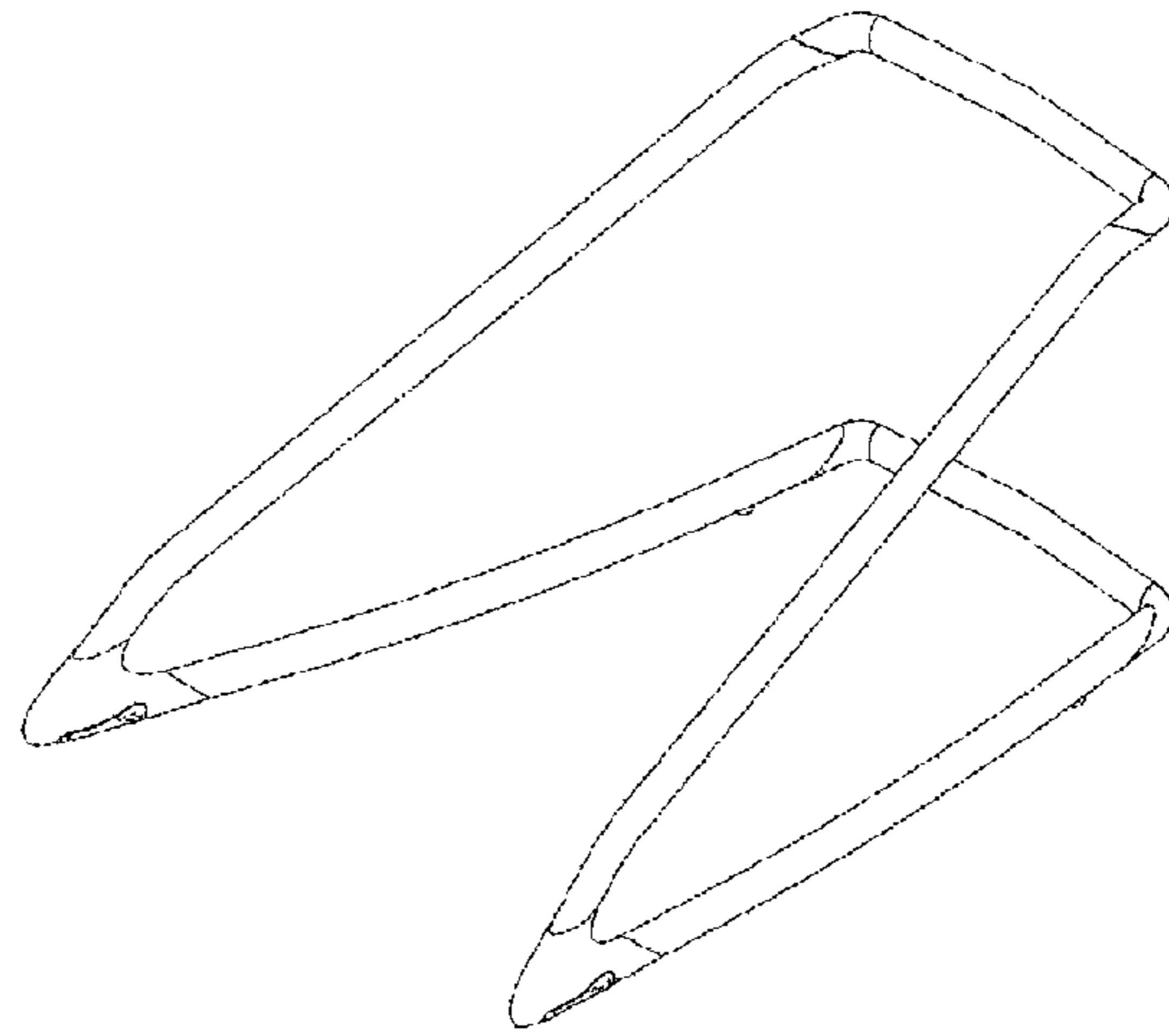


Fig. 1

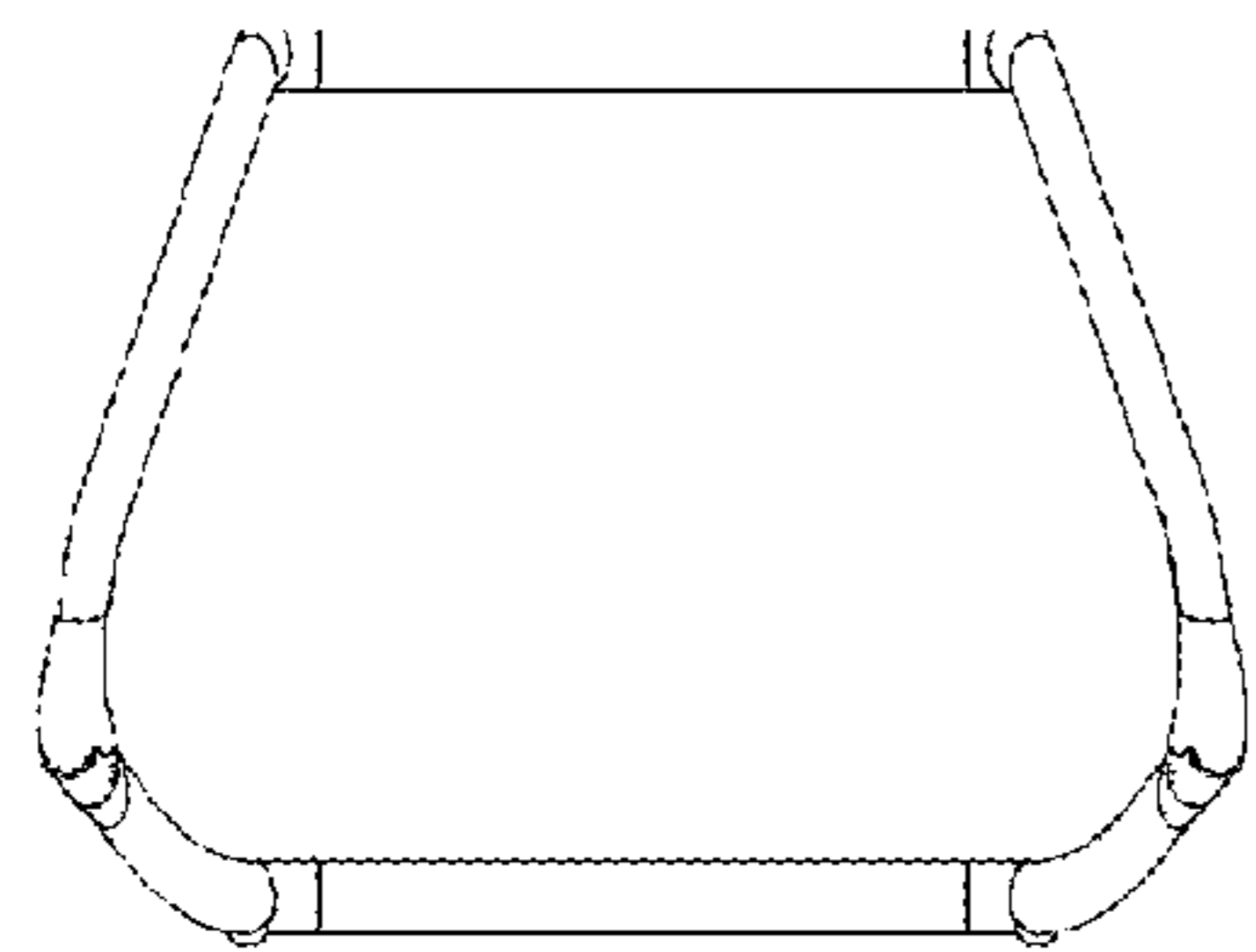


Fig. 3

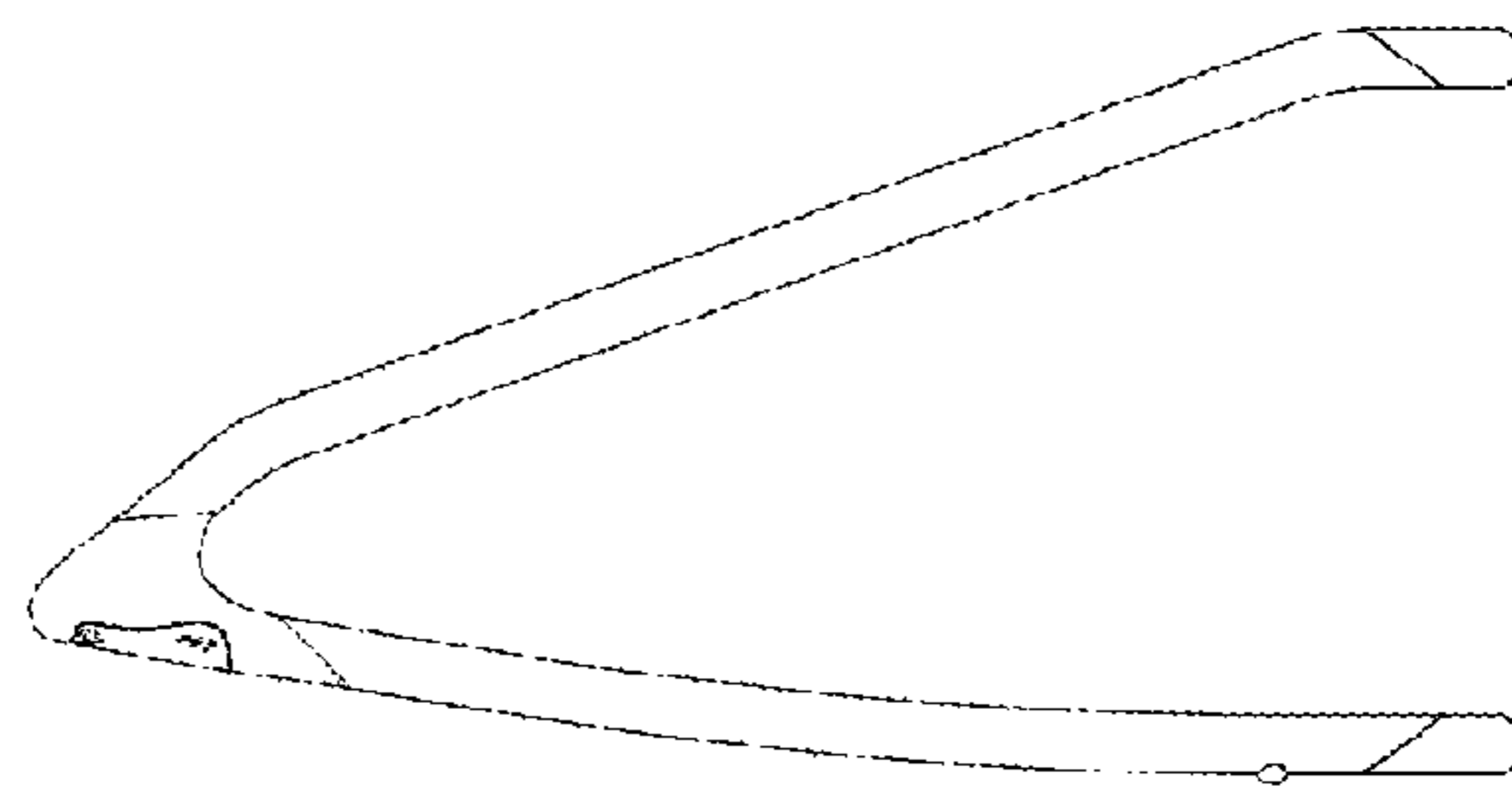


Fig. 4

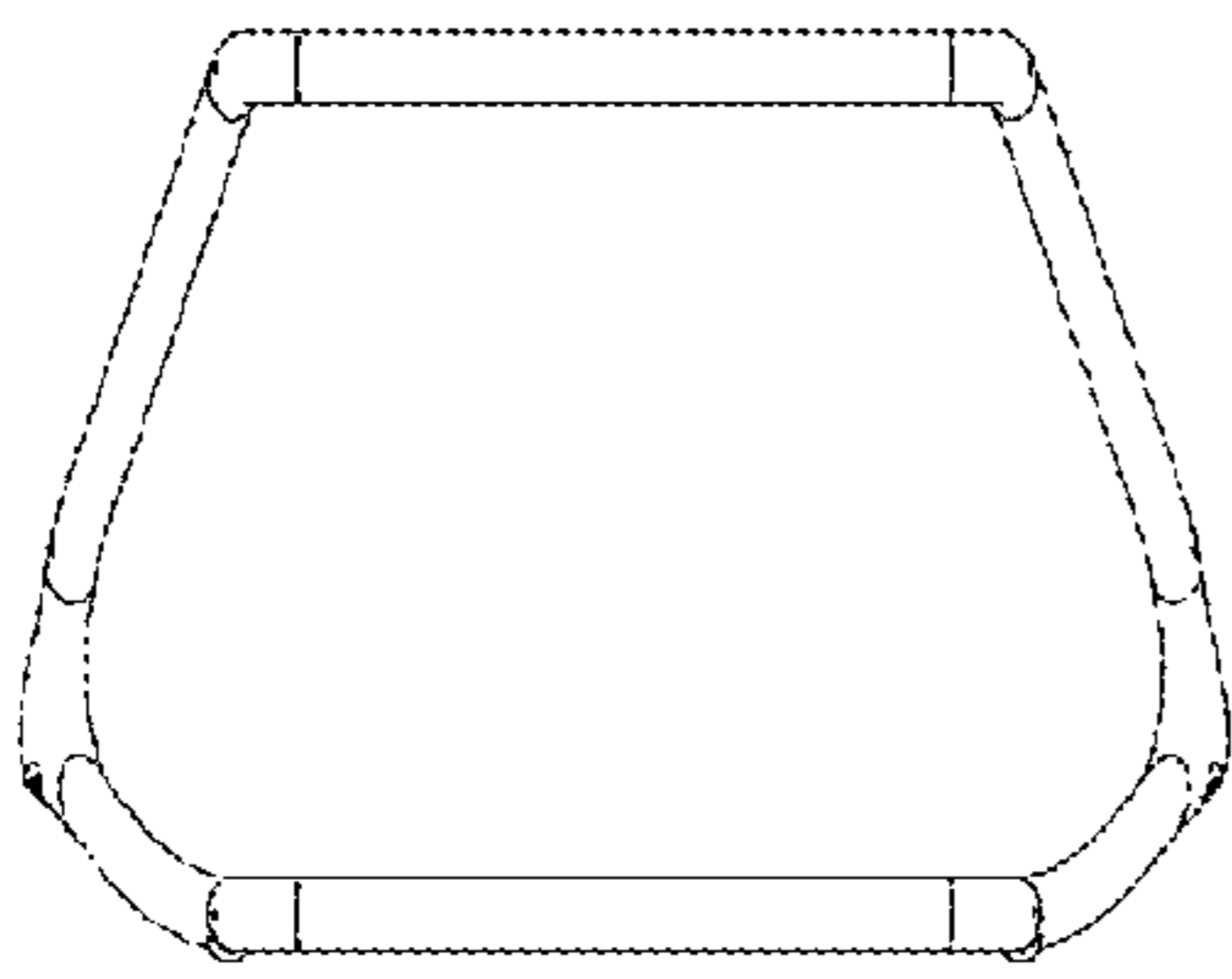


Fig. 6

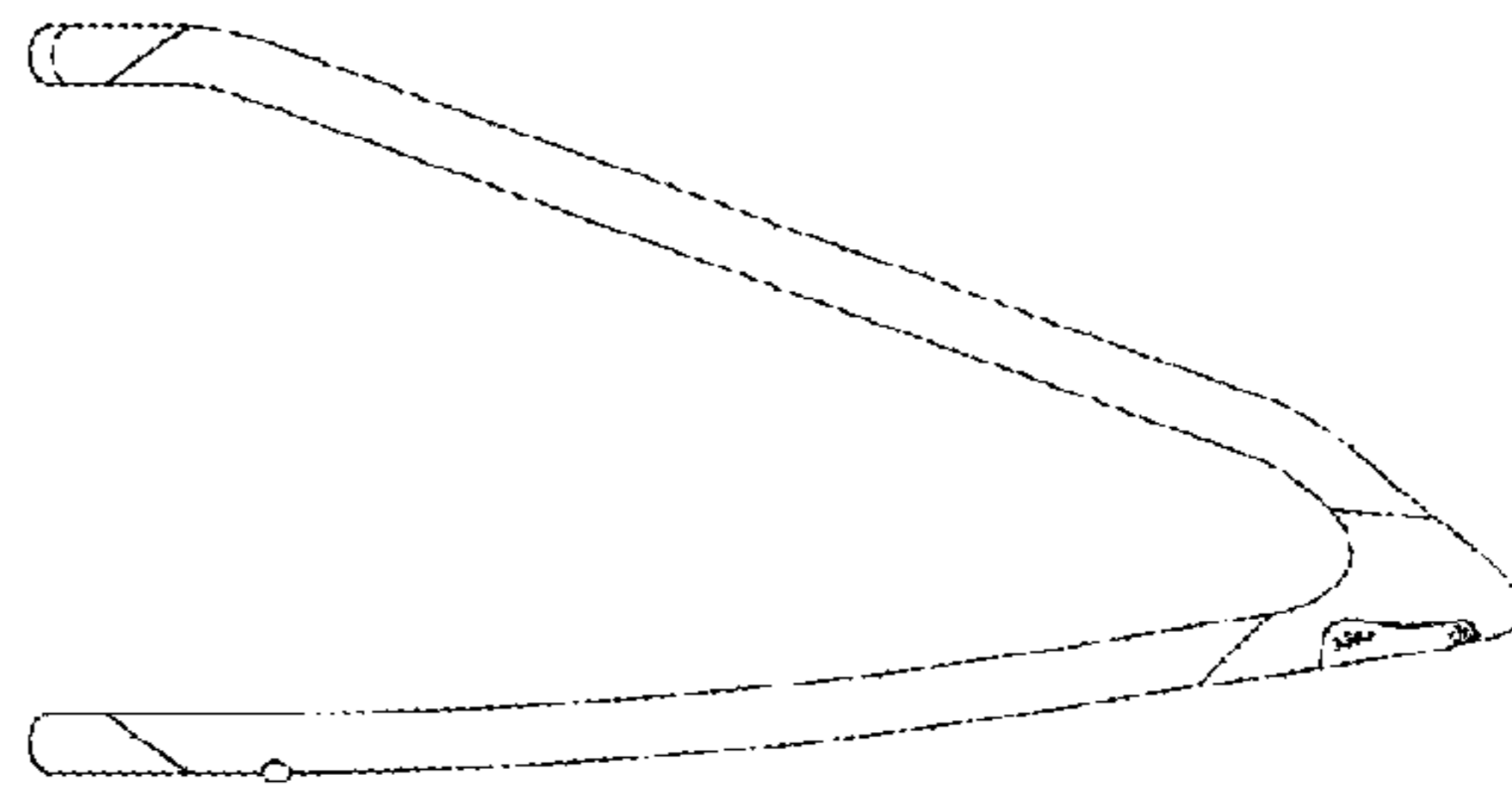


Fig. 5

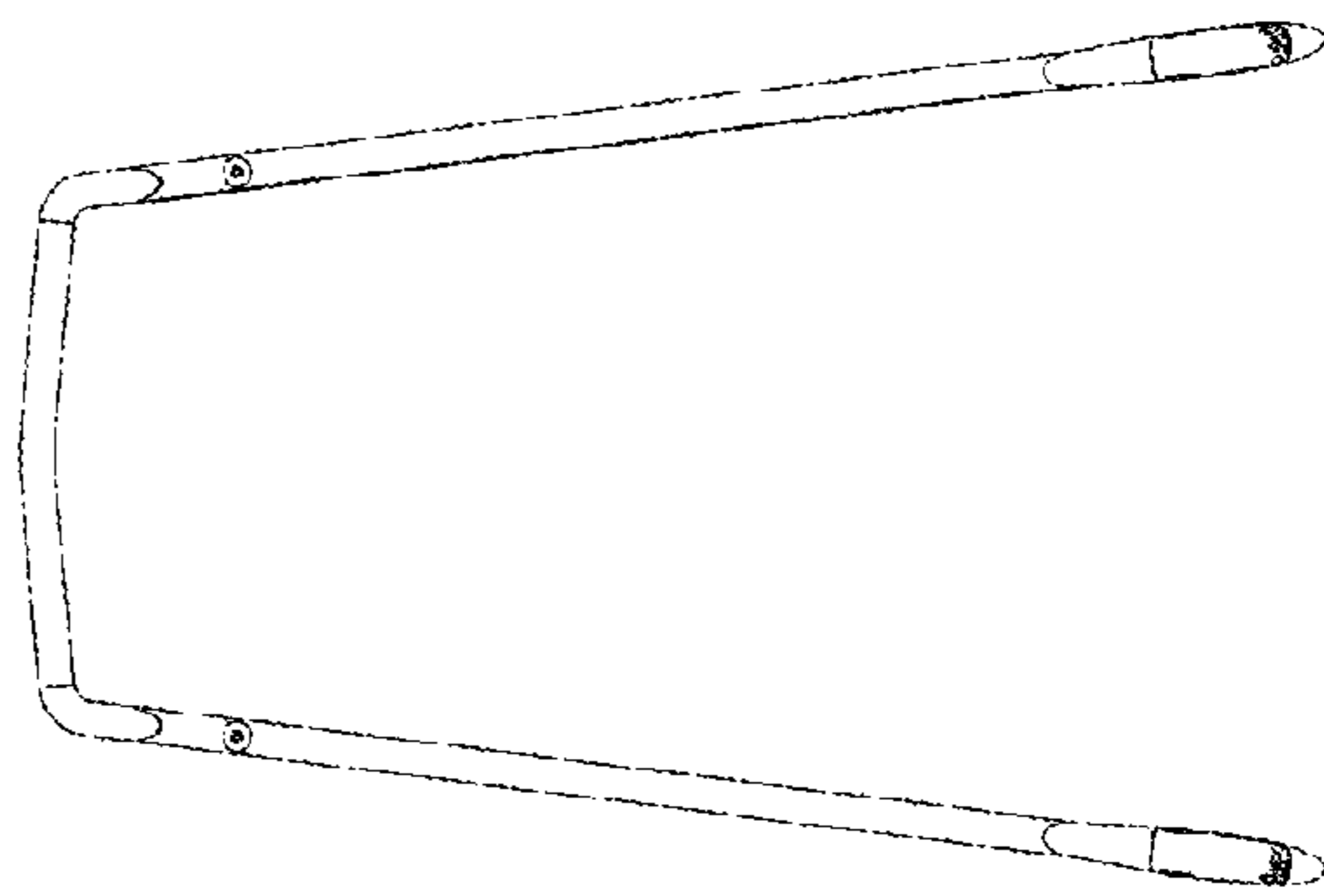


Fig. 7