



US00D682560S

(12) **United States Design Patent**  
**Gschwandegger**

(10) **Patent No.:** **US D682,560 S**  
(45) **Date of Patent:** **\*\* May 21, 2013**

(54) **DUAL VIEW HANGING PICTURE FRAME**

(76) Inventor: **Aaron Gschwandegger**, Melboune, AR  
(US)

(\*\*) Term: **14 Years**

(21) Appl. No.: **29/423,982**

(22) Filed: **Jun. 6, 2012**

(51) **LOC (9) Cl.** ..... **06-07**

(52) **U.S. Cl.**  
USPC ..... **D6/300**

(58) **Field of Classification Search** ..... D6/300-314;  
206/229; 40/779, 757; D23/366; D16/250  
See application file for complete search history.

(56) **References Cited**

**U.S. PATENT DOCUMENTS**

D23,384 S *	6/1894	Von Grave	.....	D6/300
D23,387 S *	6/1894	Von Gragve	.....	D6/300
D45,394 S	3/1914	Mix		
D142,356 S *	9/1945	Vallevona	.....	D6/300
D266,555 S	10/1982	McNally		
4,526,273 A *	7/1985	Tsuji et al.	.....	206/229
D332,461 S *	1/1993	Beaupeurt	.....	D16/250
D333,388 S	2/1993	Holson		
D340,005 S	10/1993	Butler, Jr.		
D343,140 S	1/1994	Sperandio		
D364,734 S	12/1995	Ben-Zeev et al.		
D396,147 S	7/1998	Ridgers		
6,189,251 B1 *	2/2001	Wilson	.....	40/757
D476,726 S *	7/2003	Rosenberg	.....	D23/366
6,775,939 B1 *	8/2004	Juern	.....	40/757
D517,329 S *	3/2006	Ortiz	.....	D6/300

D543,364 S *	5/2007	Fleischer	.....	D6/300
D548,827 S *	8/2007	Pivert et al.	.....	D23/366
D556,390 S	11/2007	Greenburgh et al.		
D568,456 S *	5/2008	Hollingsworth	.....	D23/366
D572,164 S	7/2008	Rosato		
D610,813 S *	3/2010	Bennett	.....	D6/300
D616,642 S	6/2010	Kim		
D635,484 S	4/2011	Liechtung		
D650,057 S *	12/2011	Riley	.....	D23/366
D650,058 S *	12/2011	Riley	.....	D23/366
2003/0200690 A1 *	10/2003	Galloway	.....	40/779

\* cited by examiner

*Primary Examiner* — Philip S Hyder

*Assistant Examiner* — Sydney Buffalow

(74) *Attorney, Agent, or Firm* — QuickPatents; Kevin Prince

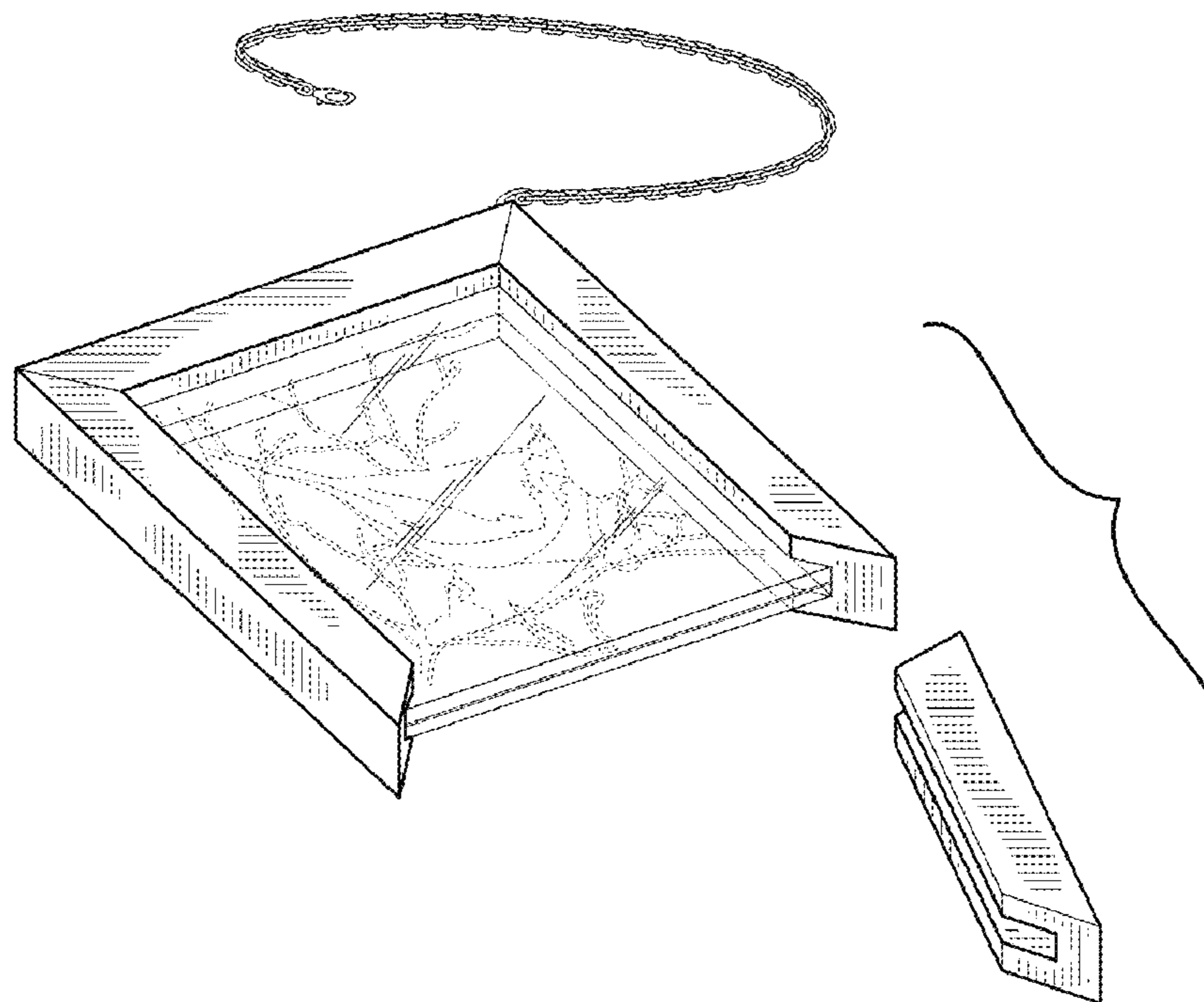
(57) **CLAIM**

I claim the ornamental design for a dual view hanging picture frame, as shown and described.

**DESCRIPTION**

FIG. 1 is an exploded bottom perspective view of a dual view hanging picture frame, showing my new design; FIG. 2 is a top perspective view thereof; FIG. 3 is a front elevational view thereof, the rear elevational view being a mirror image thereof; FIG. 4 is a left-side elevational view thereof; FIG. 5 is a right-side elevational view thereof; FIG. 6 is a top plan view thereof; and, FIG. 7 is a bottom plan view thereof. The broken lines showing a photo between two glass panes in FIG. 1 depict environmental matter and form no part of the claimed design.

**1 Claim, 2 Drawing Sheets**



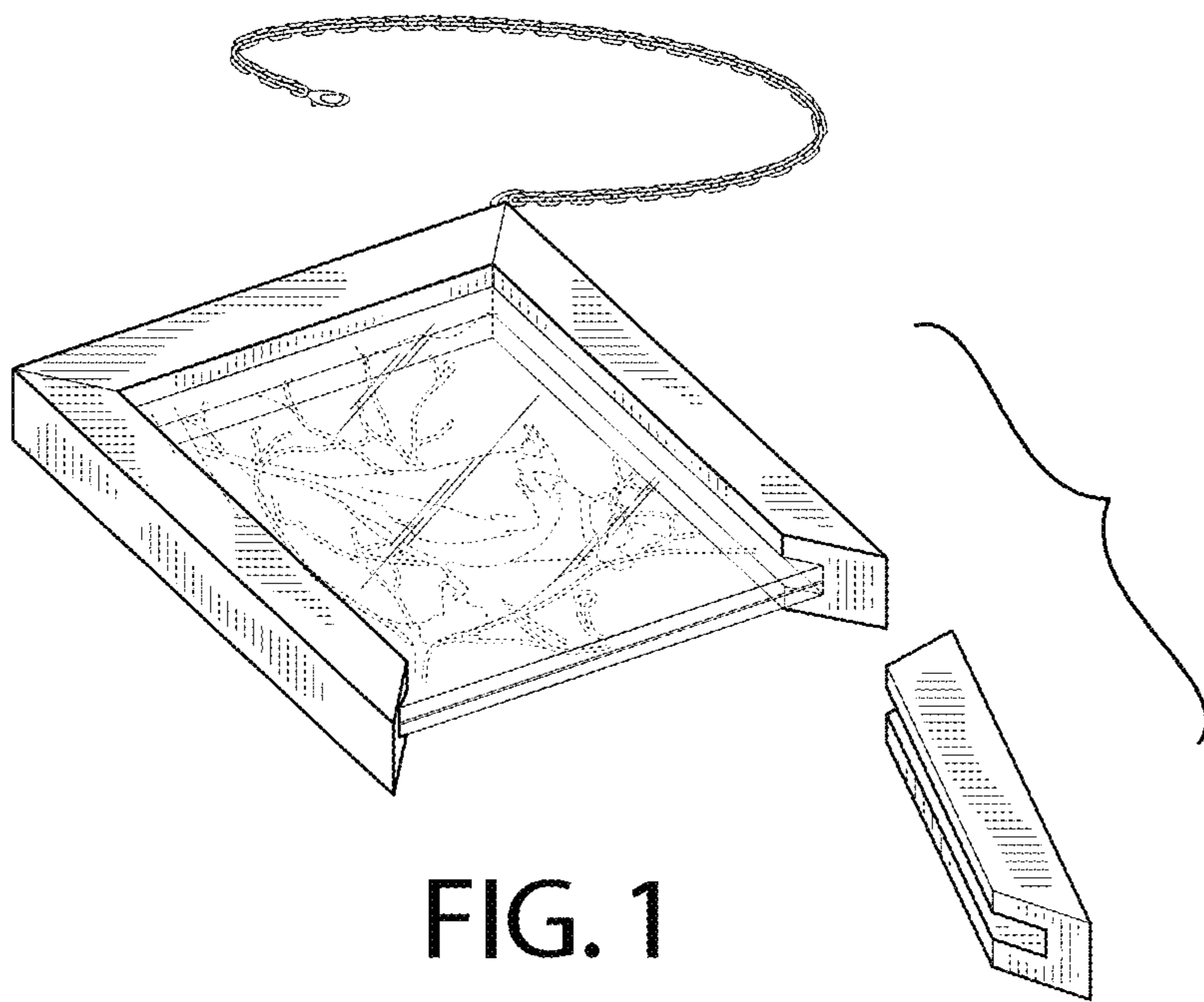


FIG. 1

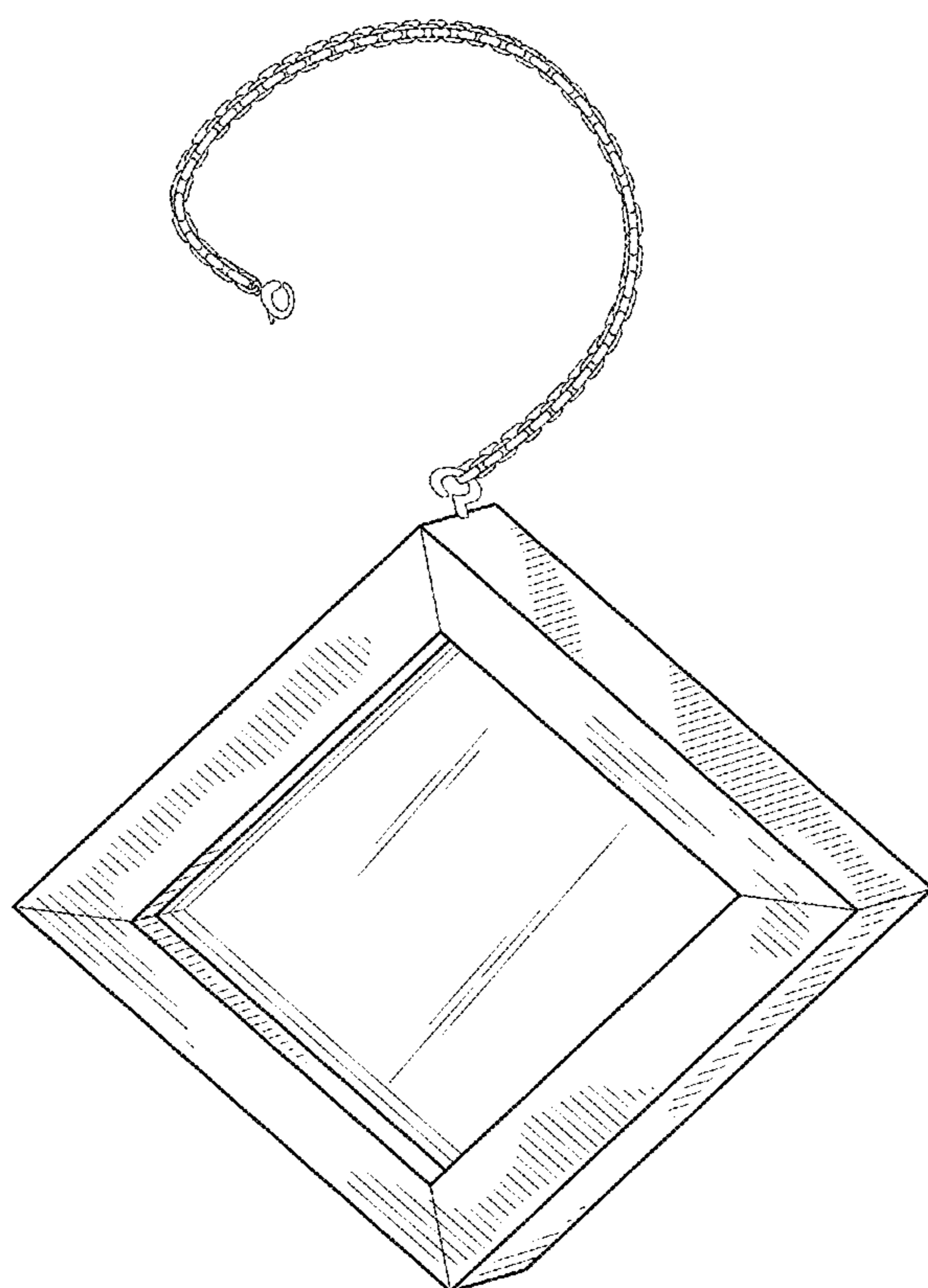


FIG. 2

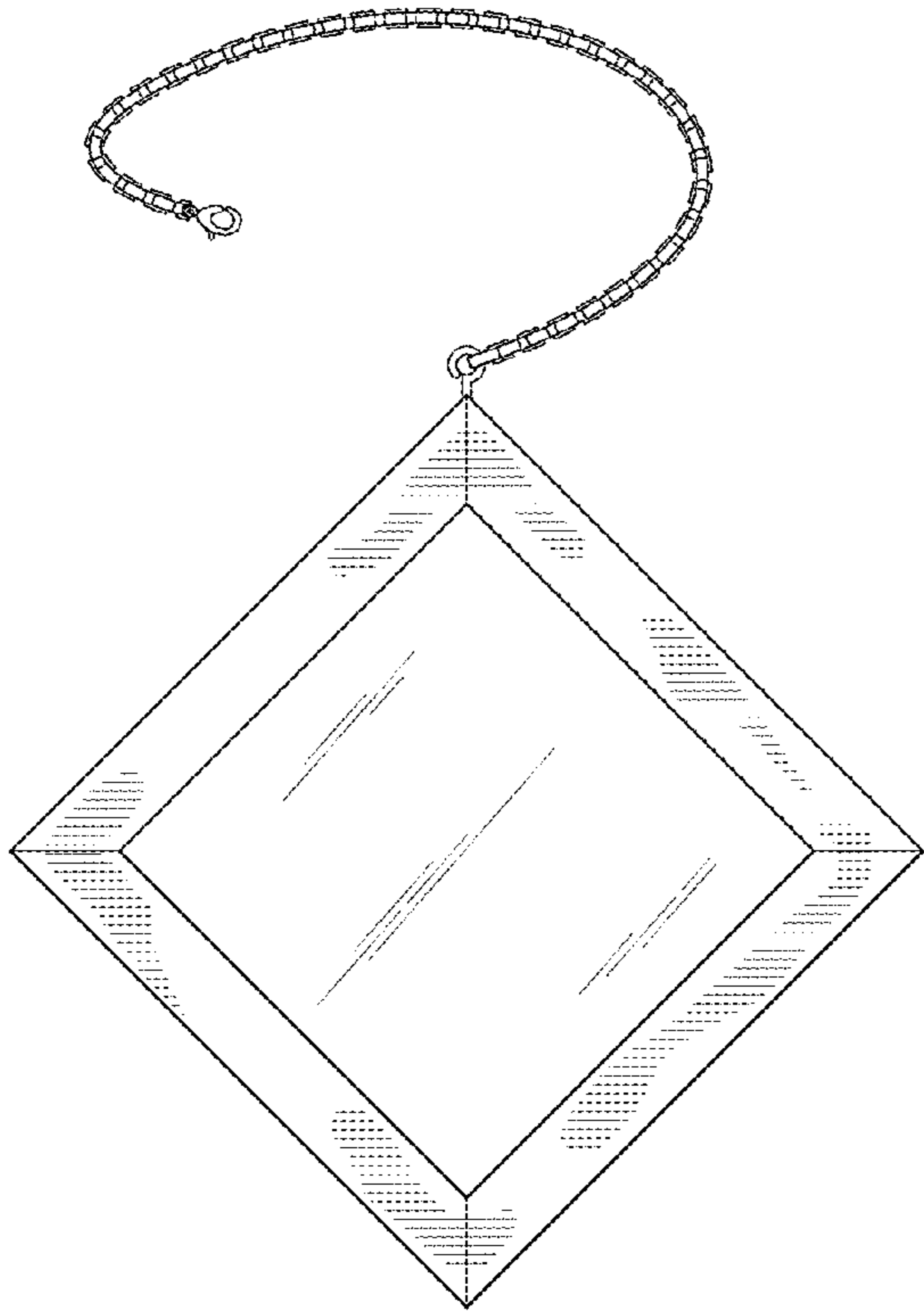


FIG. 3



FIG. 4

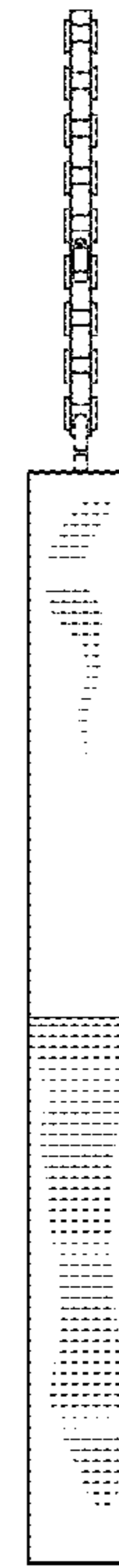


FIG. 5



FIG. 6

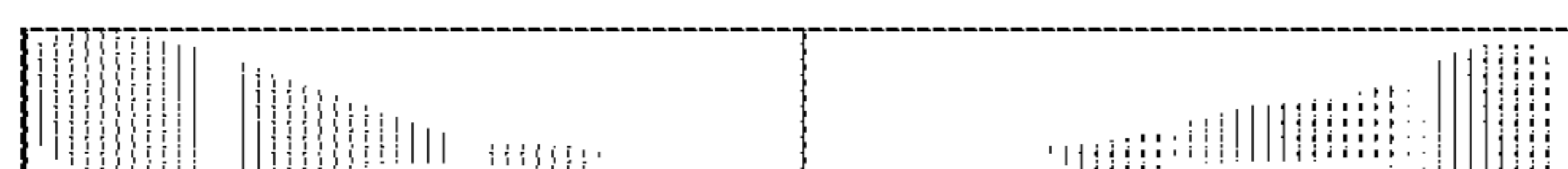


FIG. 7