



US00D682555S

(12) **United States Design Patent**
Refior et al.

(10) **Patent No.:** **US D682,555 S**
(45) **Date of Patent:** **** May 21, 2013**

(54) **LINT ROLLER COVER**

(71) Applicant: **3M Innovative Properties Company**,
St. Paul, MN (US)

(72) Inventors: **Philipp H. Refior**, Tokyo (JP);
Masahiro Ashizawa, Kanagawa (JP)

(73) Assignee: **3M Innovative Properties Company**,
St. Paul, MN (US)

(**) Term: **14 Years**

(21) Appl. No.: **29/433,280**

(22) Filed: **Sep. 27, 2012**

(30) **Foreign Application Priority Data**

Mar. 30, 2012 (JP) 2012-007512

(51) **LOC (9) Cl.** **08-05**

(52) **U.S. Cl.**
USPC **D4/122**

(58) **Field of Classification Search** D4/122,
D4/199; D6/317, 566; D8/370, 373, 107,
D8/303; 15/27, 230.11; 211/106, 106.01;
248/302; 492/13, 16, 17, 19; 16/422, 430,
16/431, 902, DIG. 12, DIG. 18, DIG. 19;
D7/509, 523, 530, 531; D9/434, 799
See application file for complete search history.

(56) **References Cited**

U.S. PATENT DOCUMENTS

D189,678 S * 1/1961 Leominster D7/530
D270,332 S * 8/1983 Gaunt D9/779
D285,146 S * 8/1986 Abellira D4/122
6,055,695 A * 5/2000 McKay, Jr. 15/104.002
D475,537 S * 6/2003 Jessen et al. D4/199
D545,065 S * 6/2007 Smith D4/199

7,600,286 B2 * 10/2009 Schmidt 15/104.002
D603,221 S * 11/2009 Liu D7/523
D623,899 S * 9/2010 Baratte D7/531
D635,776 S * 4/2011 Bellot D4/199
D655,982 S * 3/2012 Liu D7/509
2007/0125238 A1 * 6/2007 Urquhart et al. 99/275
2010/0133135 A1 * 6/2010 Shelby 206/446

FOREIGN PATENT DOCUMENTS

JP D1241562 6/2005
JP D4674182 4/2011
JP D1423438 9/2011

* cited by examiner

Primary Examiner — Austin Murphy

(74) *Attorney, Agent, or Firm* — Irina Hass

(57) **CLAIM**

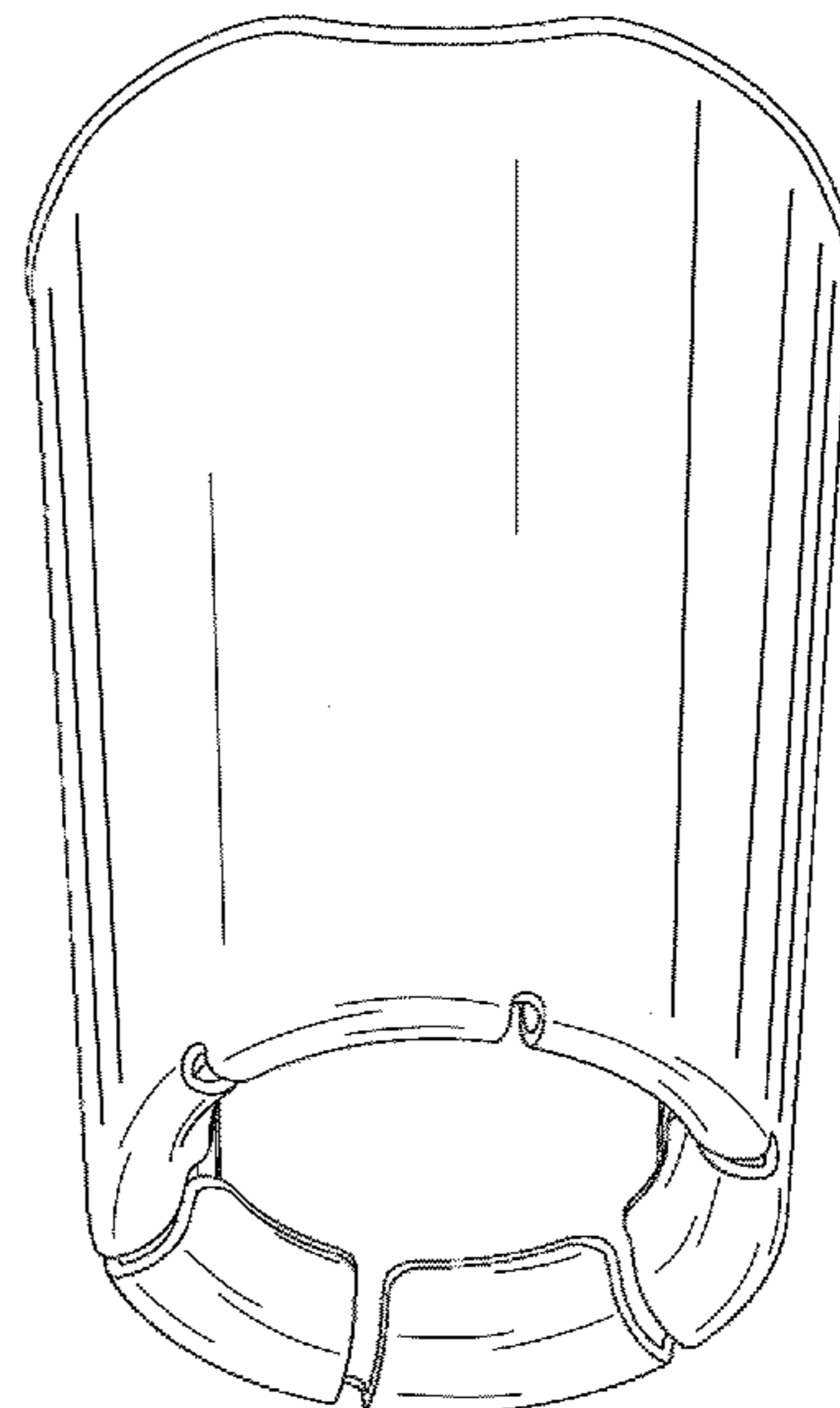
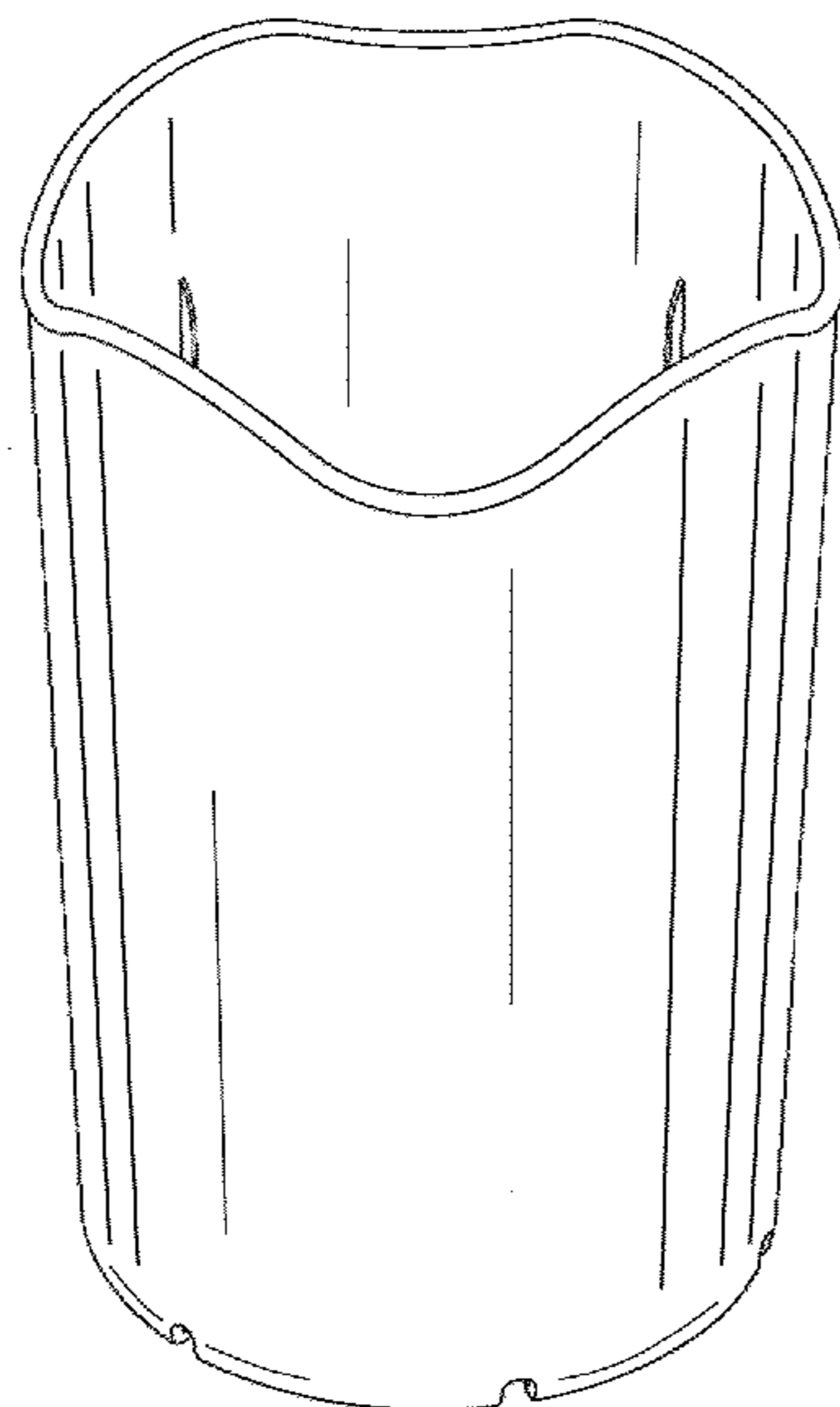
The ornamental design for a lint roller cover, as shown and described.

DESCRIPTION

FIG. 1 is a front view of the new design for a lint roller cover;
FIG. 2 is a top view thereof;
FIG. 3 is a bottom view thereof;
FIG. 4 is a left side view thereof, a right side view being a mirror image thereof;
FIG. 5 is a top perspective view thereof;
FIG. 6 is a bottom perspective view thereof;
FIG. 7 is a cross-sectional view taken along line 7-7 of FIG. 2;
FIG. 8 is a cross-sectional view taken along line 8-8 of FIG. 2;
and,
FIG. 9 is a perspective view thereof showing the lint roller cover with a lint roller.

The surface shading illustrated in the drawings is provided merely to highlight the contour of design; it is not intended to be illustrative of texture or gloss.

1 Claim, 3 Drawing Sheets



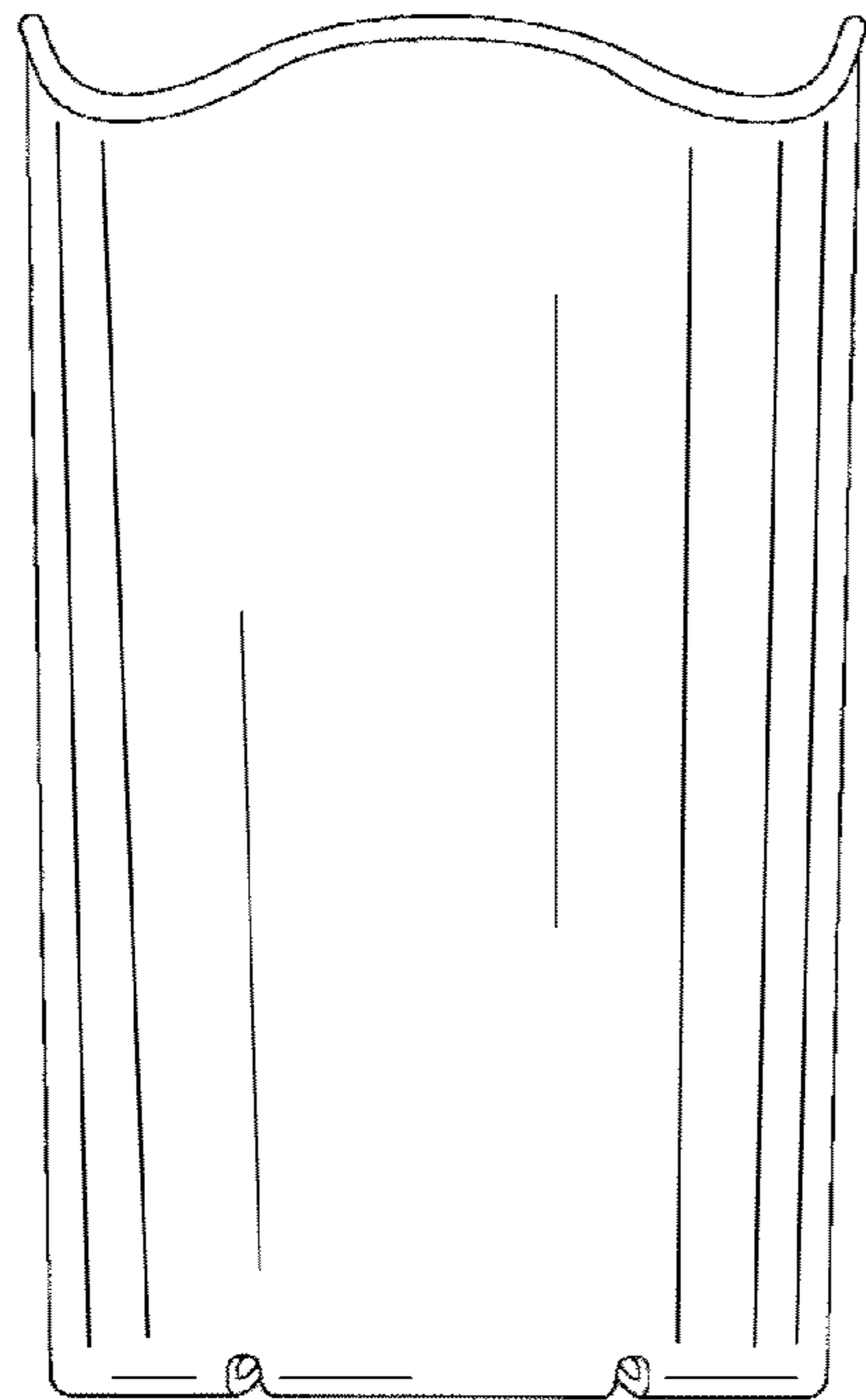


FIG. 1

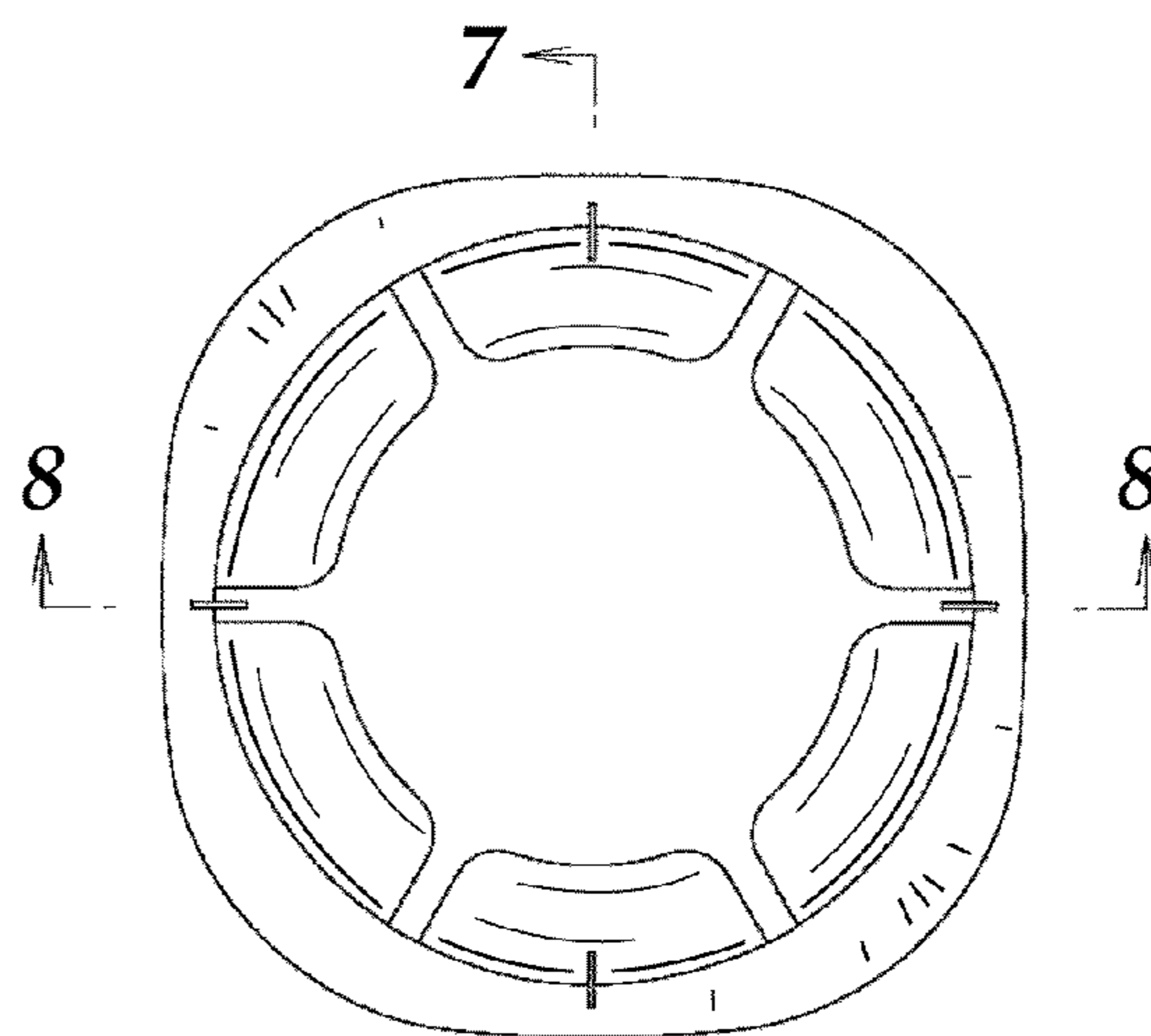


FIG. 2

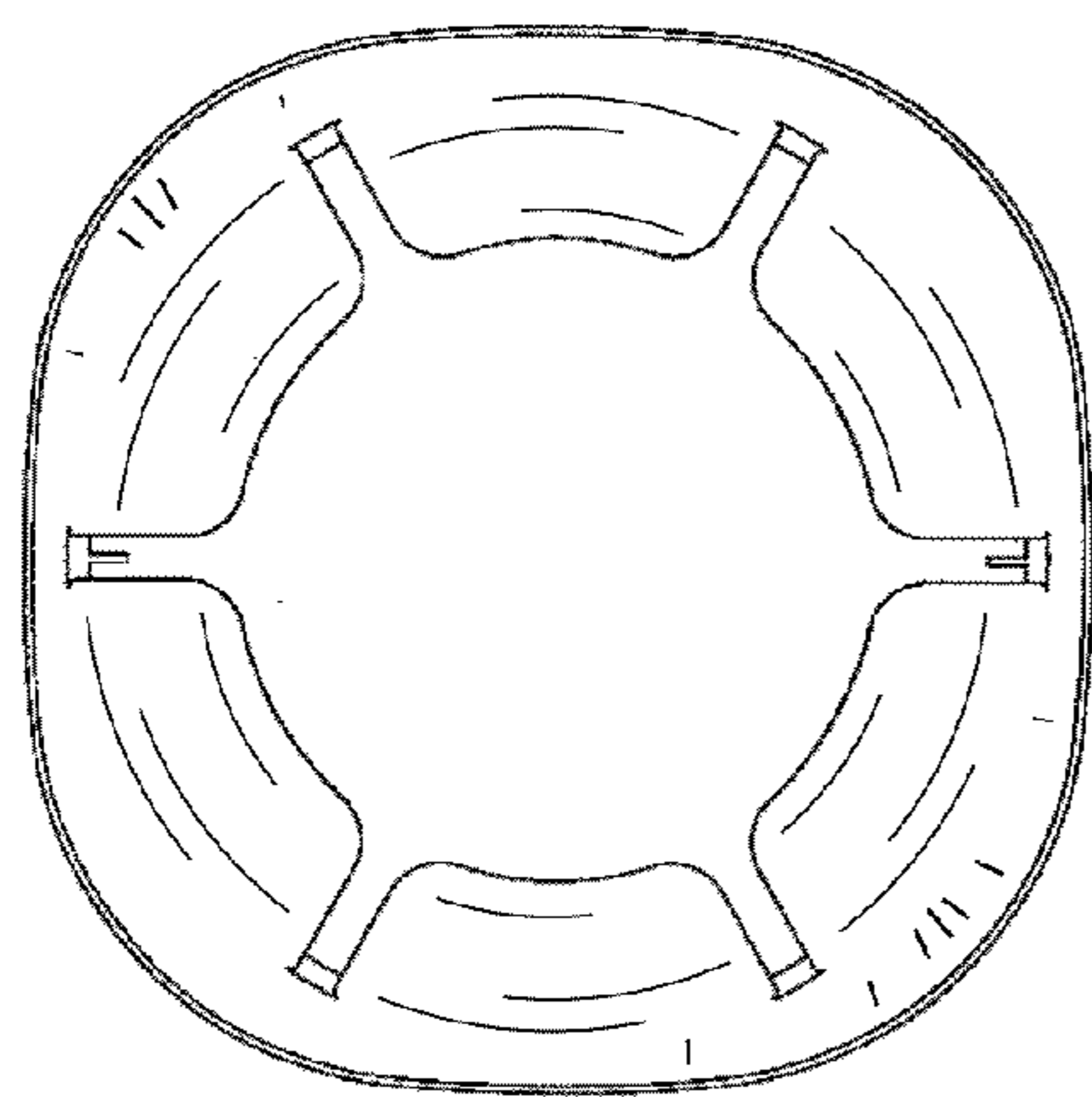


FIG. 3

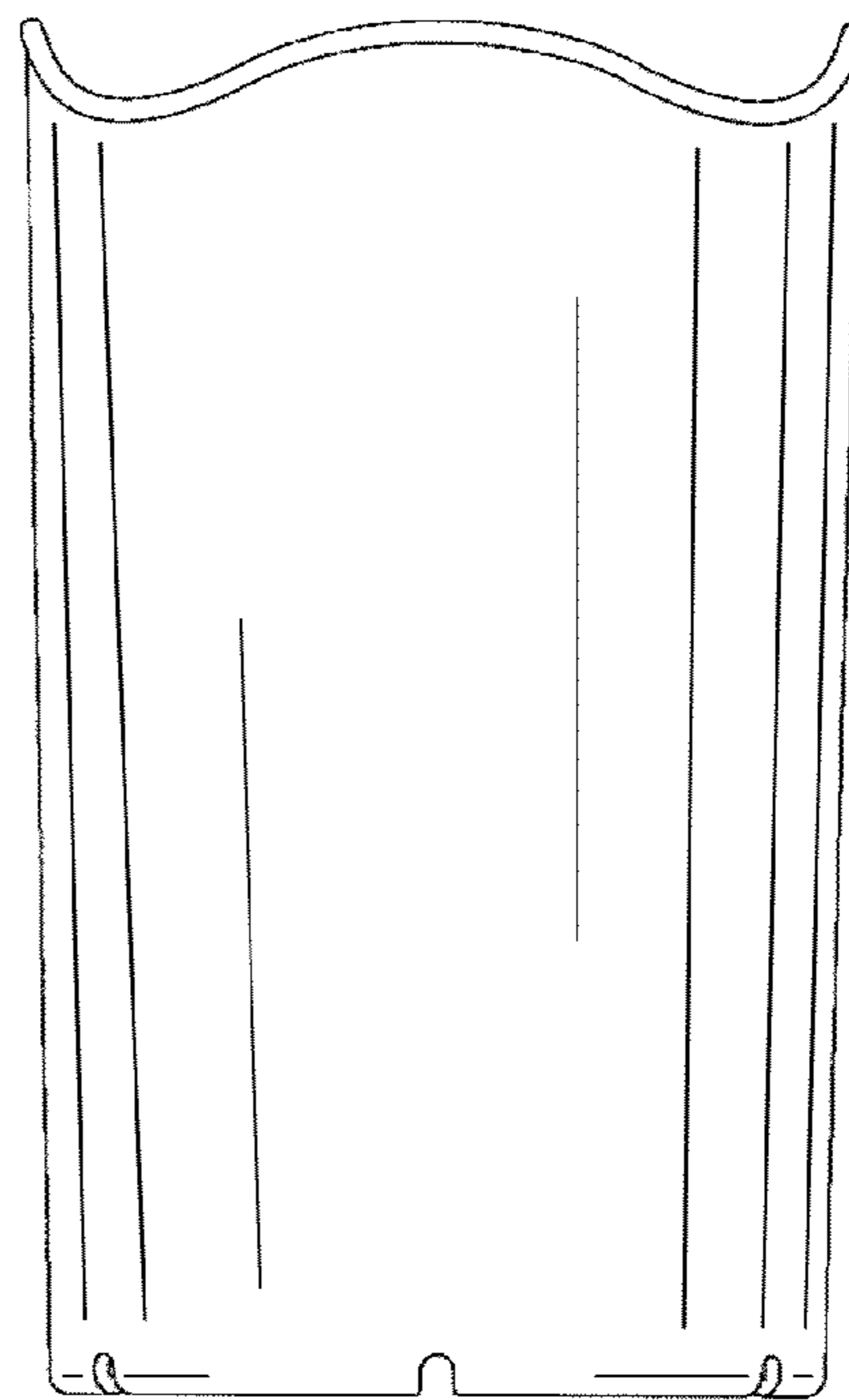


FIG. 4

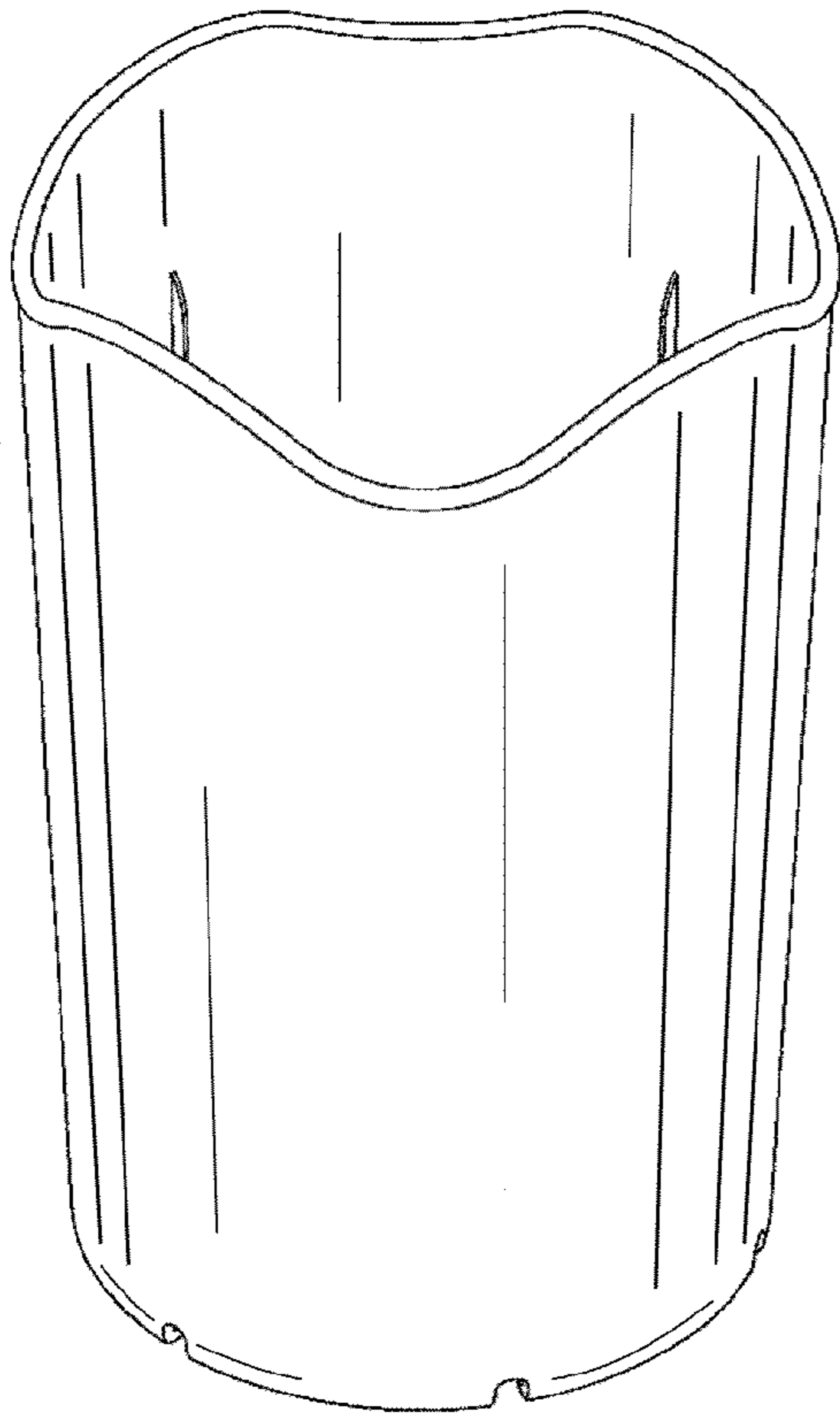


FIG. 5

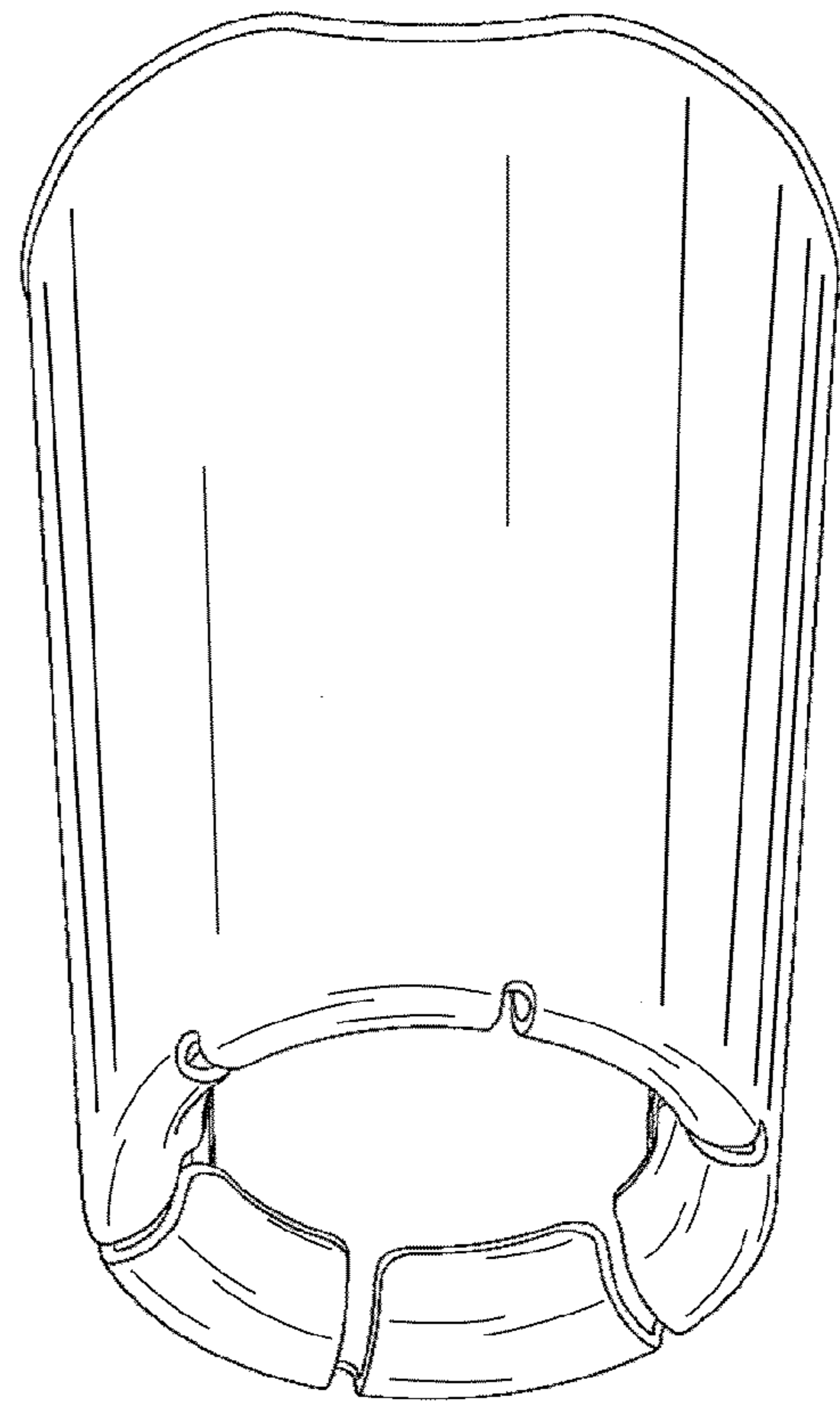


FIG. 6

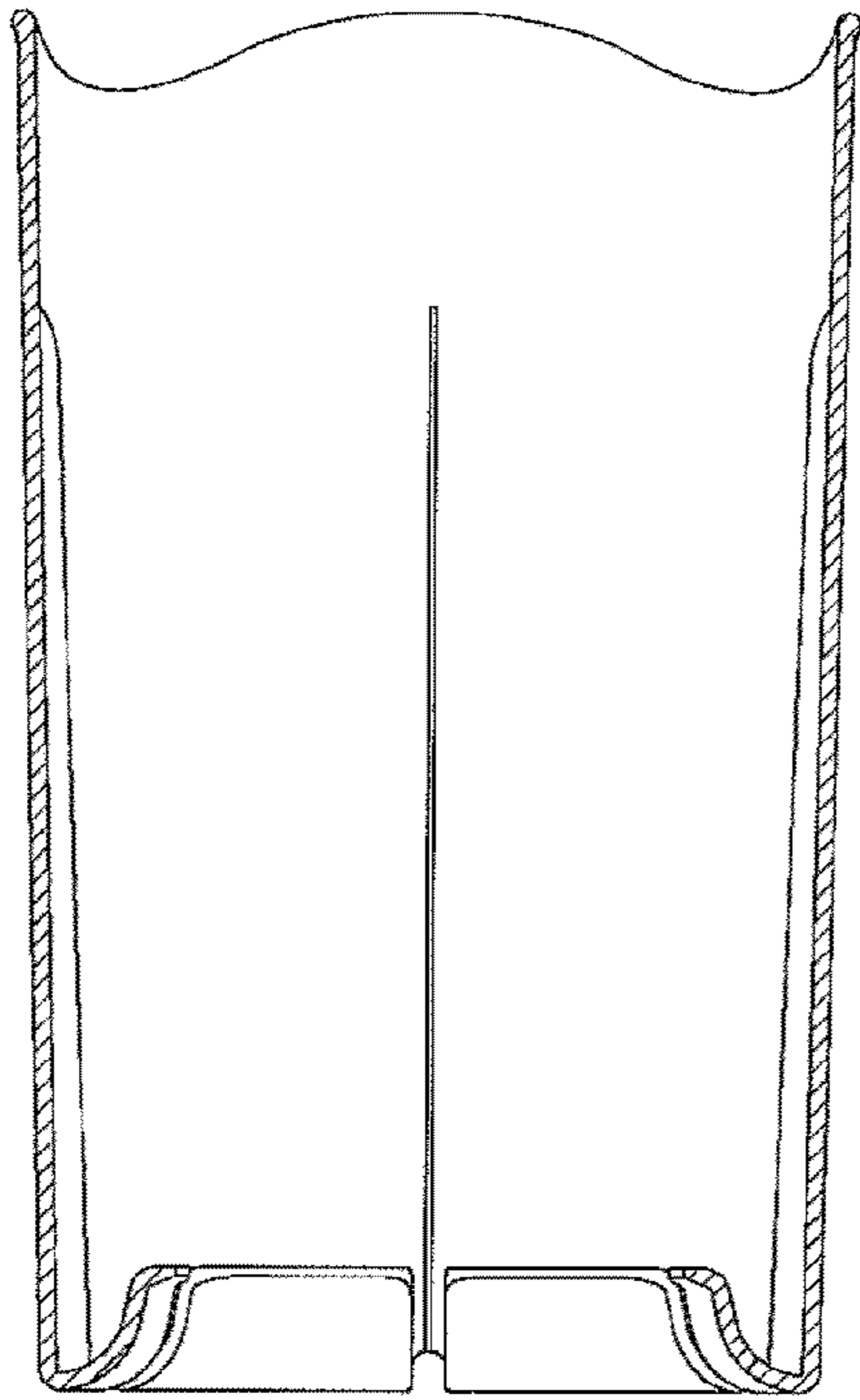


FIG. 7

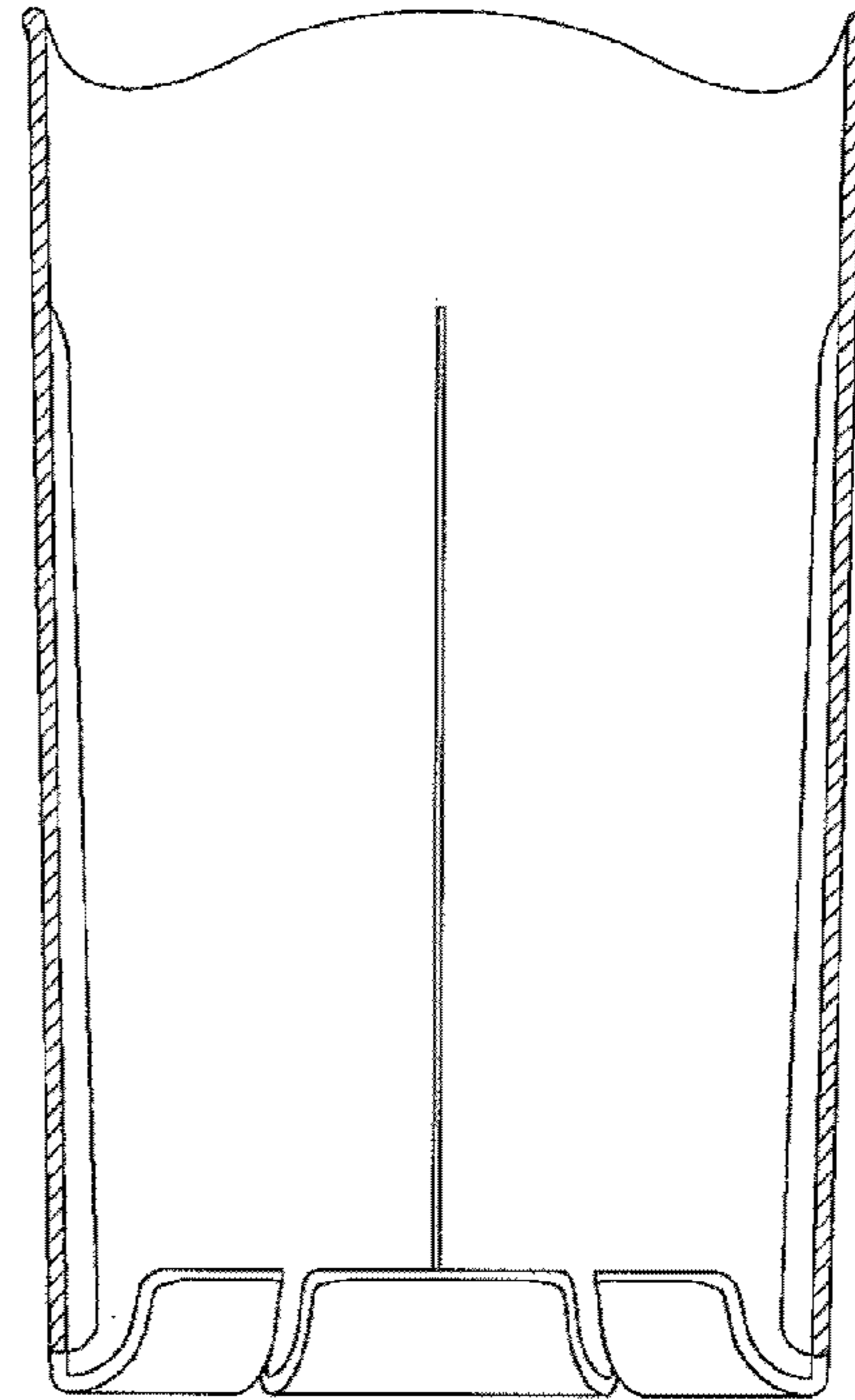


FIG. 8

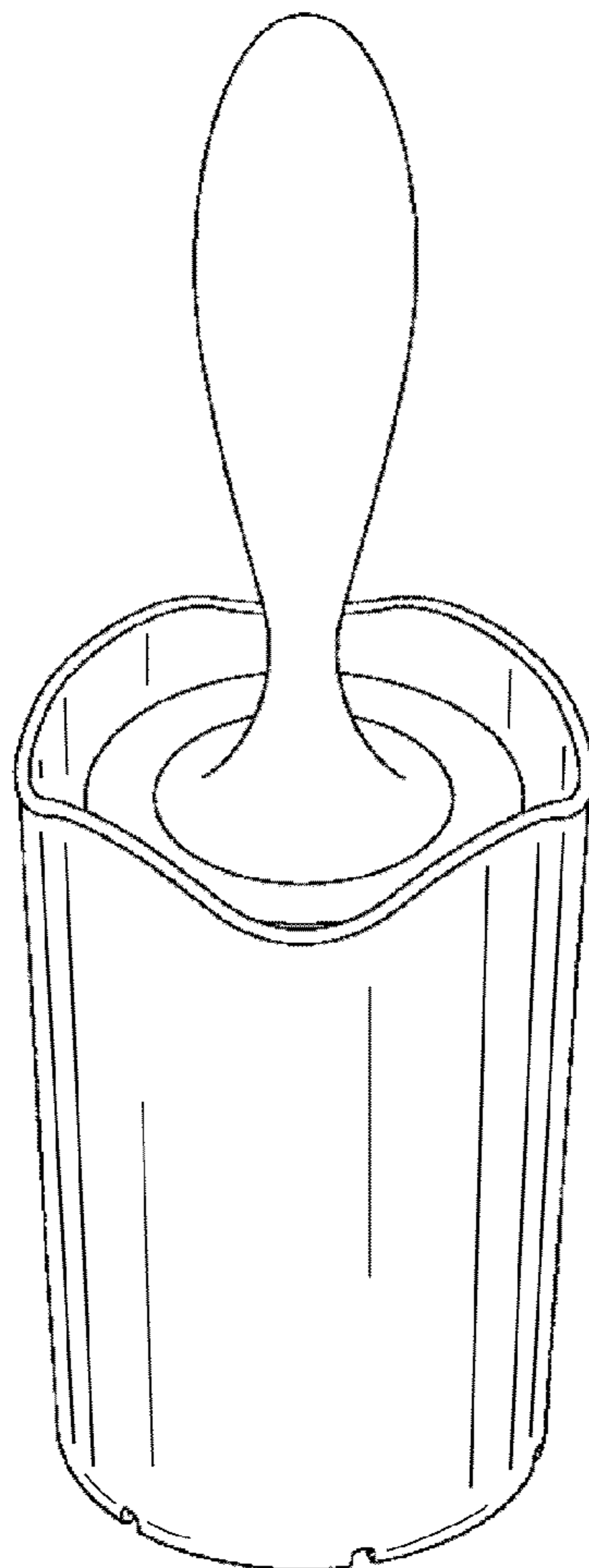


FIG. 9