



US00D682550S

(12) **United States Design Patent**
Chun

(10) **Patent No.:** **US D682,550 S**

(45) **Date of Patent:** **** May 21, 2013**

(54) **COMBINED PORTABLE EARPHONE STORAGE CASE AND STAND**

(76) Inventor: **James K. Chun**, San Diego, CA (US)

(**) Term: **14 Years**

(21) Appl. No.: **29/417,484**

(22) Filed: **Apr. 4, 2012**

(51) **LOC (9) Cl.** **03-01**

(52) **U.S. Cl.**

USPC **D3/294**

(58) **Field of Classification Search** D3/293-295,
D3/273, 302, 905, 276, 283, 201; 206/349,
206/372; D7/629; D30/133; D9/420; 220/523,
220/4.21, 4.22

See application file for complete search history.

(56) **References Cited**

U.S. PATENT DOCUMENTS

D281,033	S	*	10/1985	Mohri	D3/295
D315,057	S	*	3/1991	Bridges	D3/295
D333,560	S	*	3/1993	Miyashita et al.	D3/294
D333,917	S	*	3/1993	Daido et al.	D3/294
5,887,720	A		3/1999	Lin		
D529,288	S	*	10/2006	Ham	D3/294
D604,501	S		11/2009	Lee		
D620,257	S	*	7/2010	Fujimura et al.	D3/294
D639,286	S	*	6/2011	Mohoney	D14/250
D659,991	S	*	5/2012	Long et al.	D3/201
D663,943	S	*	7/2012	Walsh et al.	D3/203.1
2007/0154048	A1		7/2007	Chang		
2007/0256946	A1	*	11/2007	Godshaw et al.	206/320

* cited by examiner

Primary Examiner — Sheryl Lane

(74) *Attorney, Agent, or Firm* — Dean A Craine

(57) **CLAIM**

The ornamental design for a combined portable earphone storage case and stand.

DESCRIPTION

FIG. 1 is a front perspective view of a combined portable earphone storage case and stand shown in an unfolded position.

FIG. 2 is a rear perspective view of a combined portable earphone storage case and stand shown in an unfolded position.

FIG. 3 is a front elevation view of the invention shown in FIGS. 1 and 2.

FIG. 4 is a rear elevation view of the invention shown in FIGS. 1 and 2.

FIG. 5 is a side rear elevation view of the invention shown in FIGS. 1 and 2.

FIG. 6 is a front perspective view of a combined portable earphone storage case and stand shown in a folded position.

FIG. 7 is a rear elevation view of the invention shown in FIG. 6.

FIG. 8 is a front elevation view of the invention shown in FIG. 6.

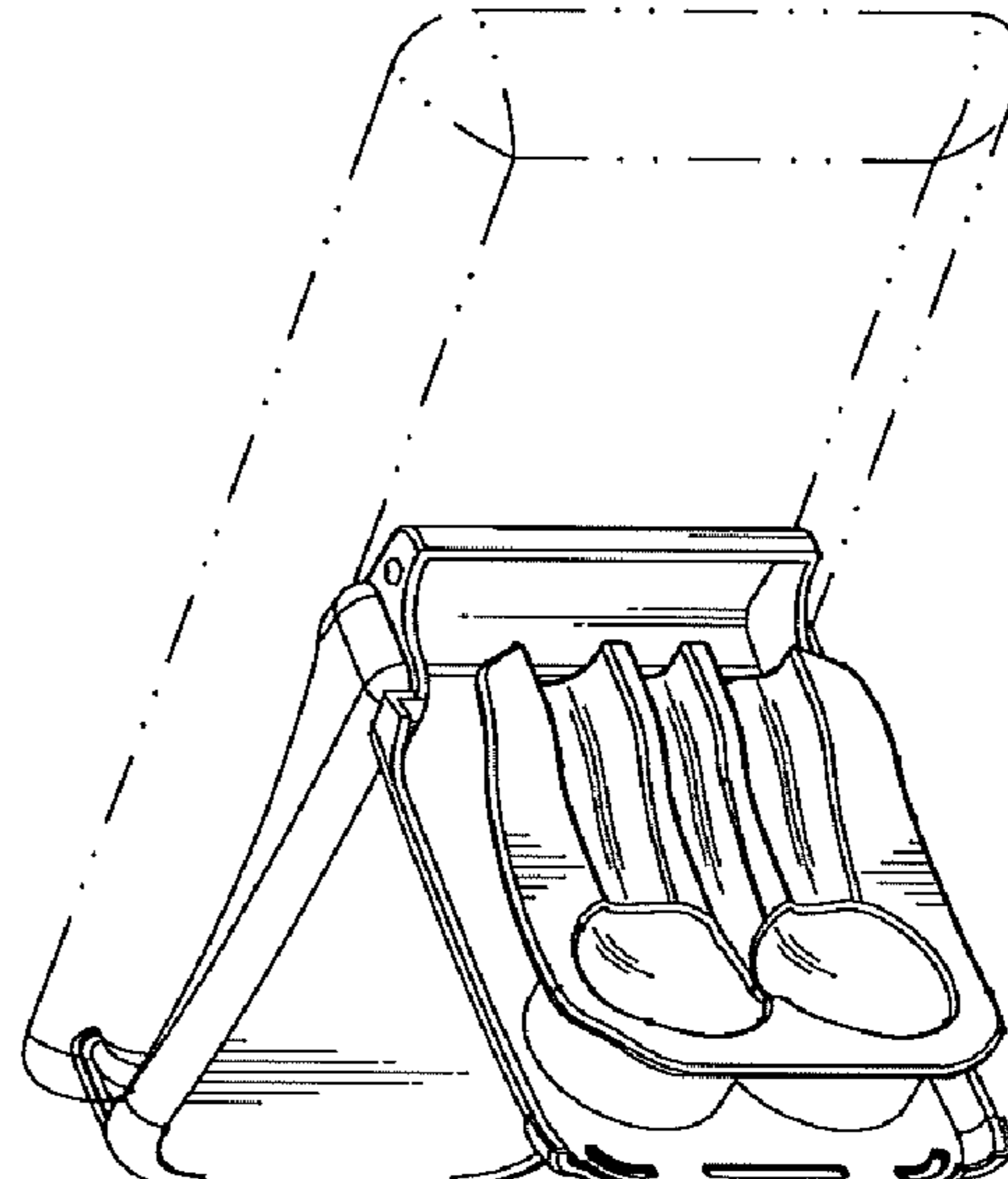
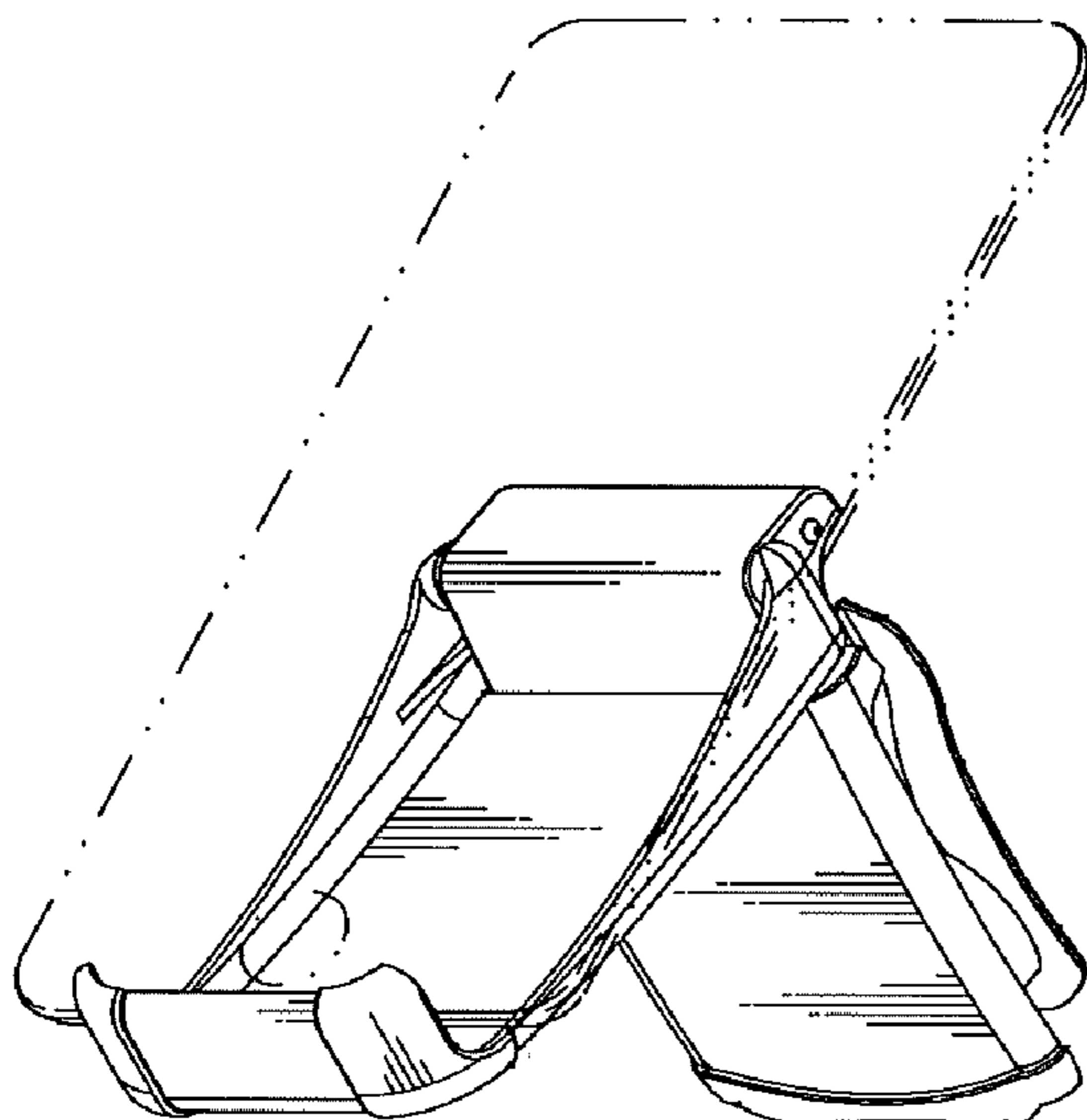
FIG. 9 is a right side elevation view of the invention shown in FIG. 6.

FIG. 10 is a top plan view of the invention shown in FIG. 6; and,

FIG. 11 is a bottom plan view of the invention shown in FIG. 7.

The broken lines shown in the drawings illustrate unclaimed portions of a cellular telephone or MP3 used with the invention when unfolded and form no part of the claimed design.

1 Claim, 2 Drawing Sheets



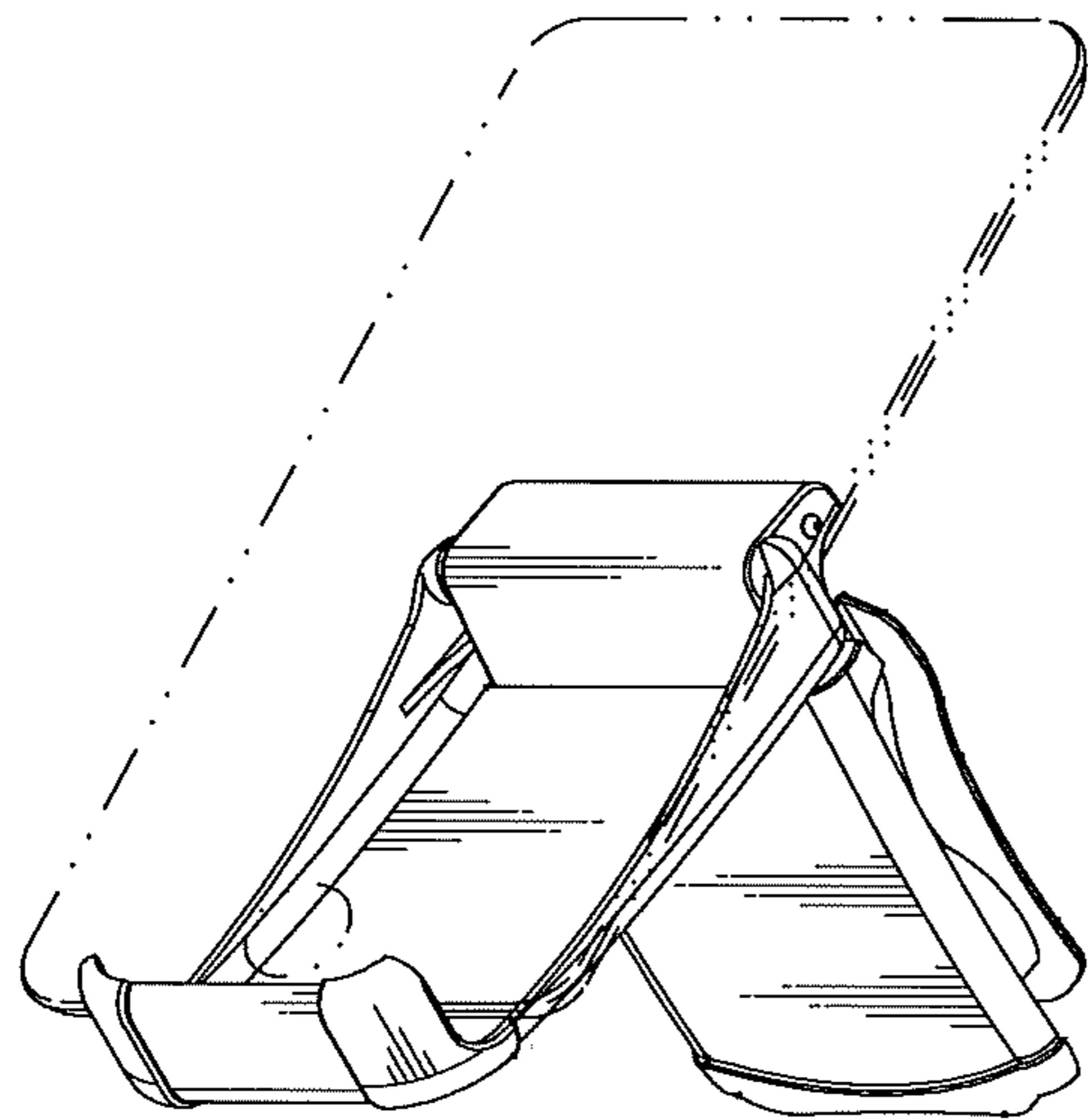


Fig. 1

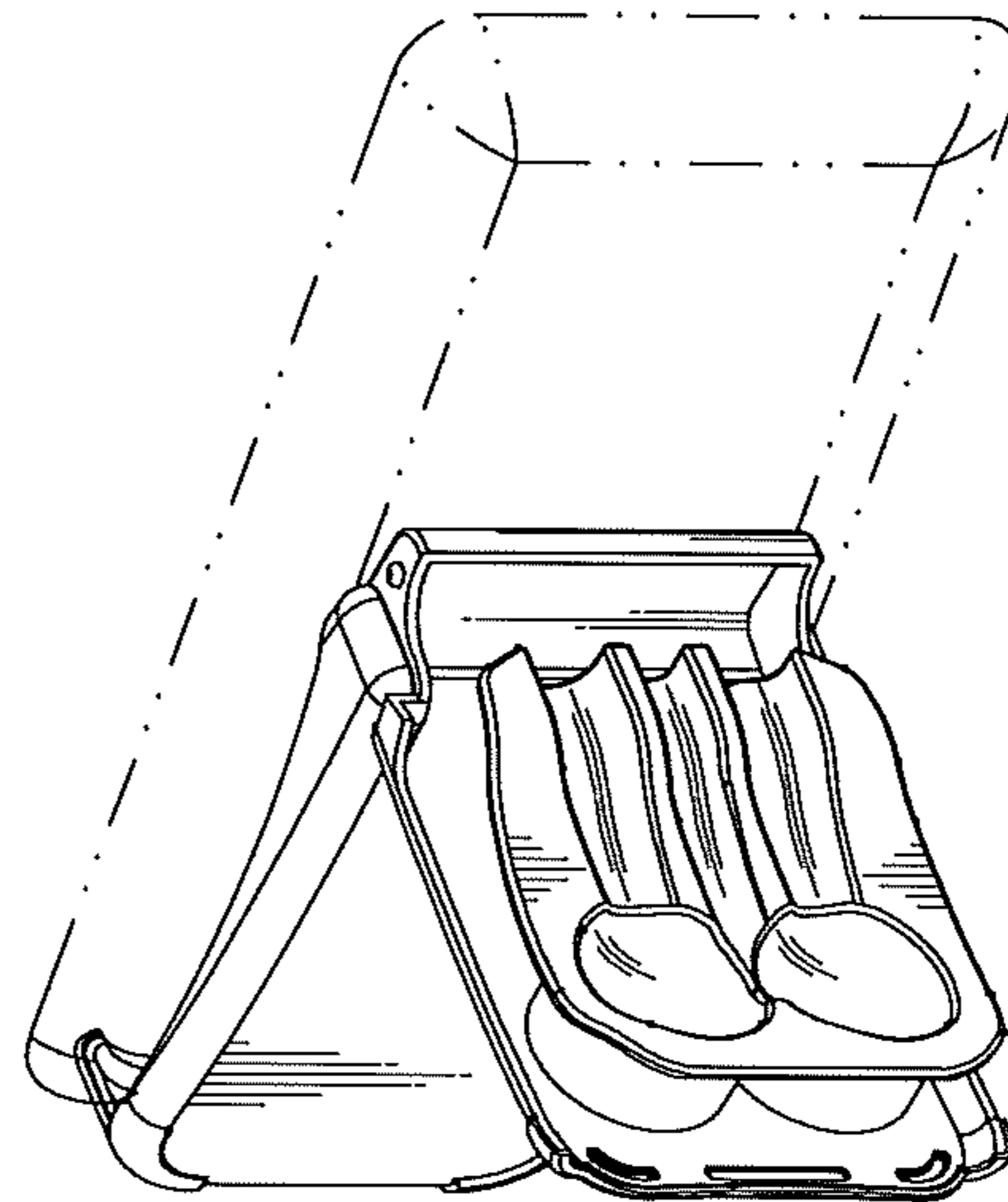


Fig. 2

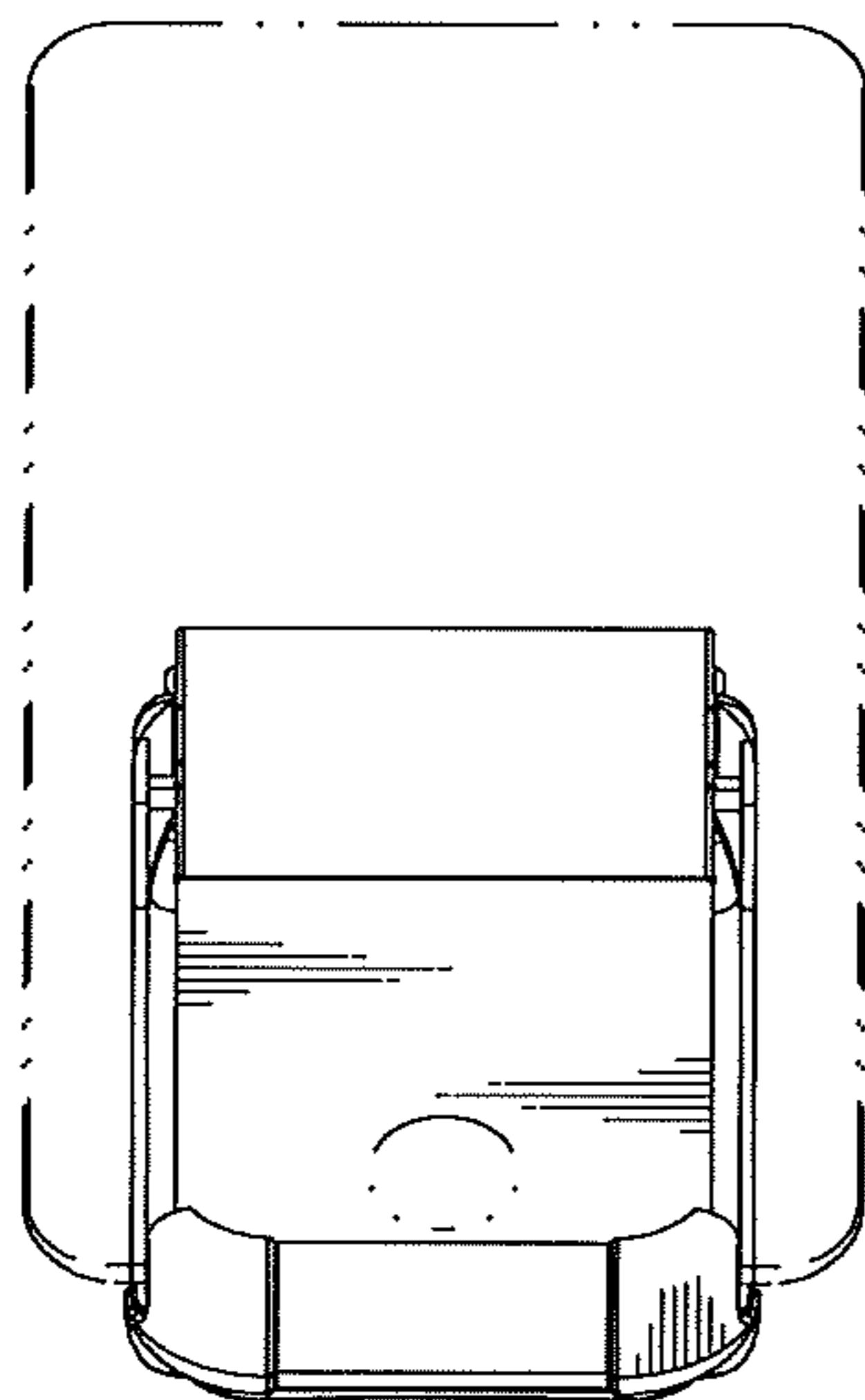


Fig. 3

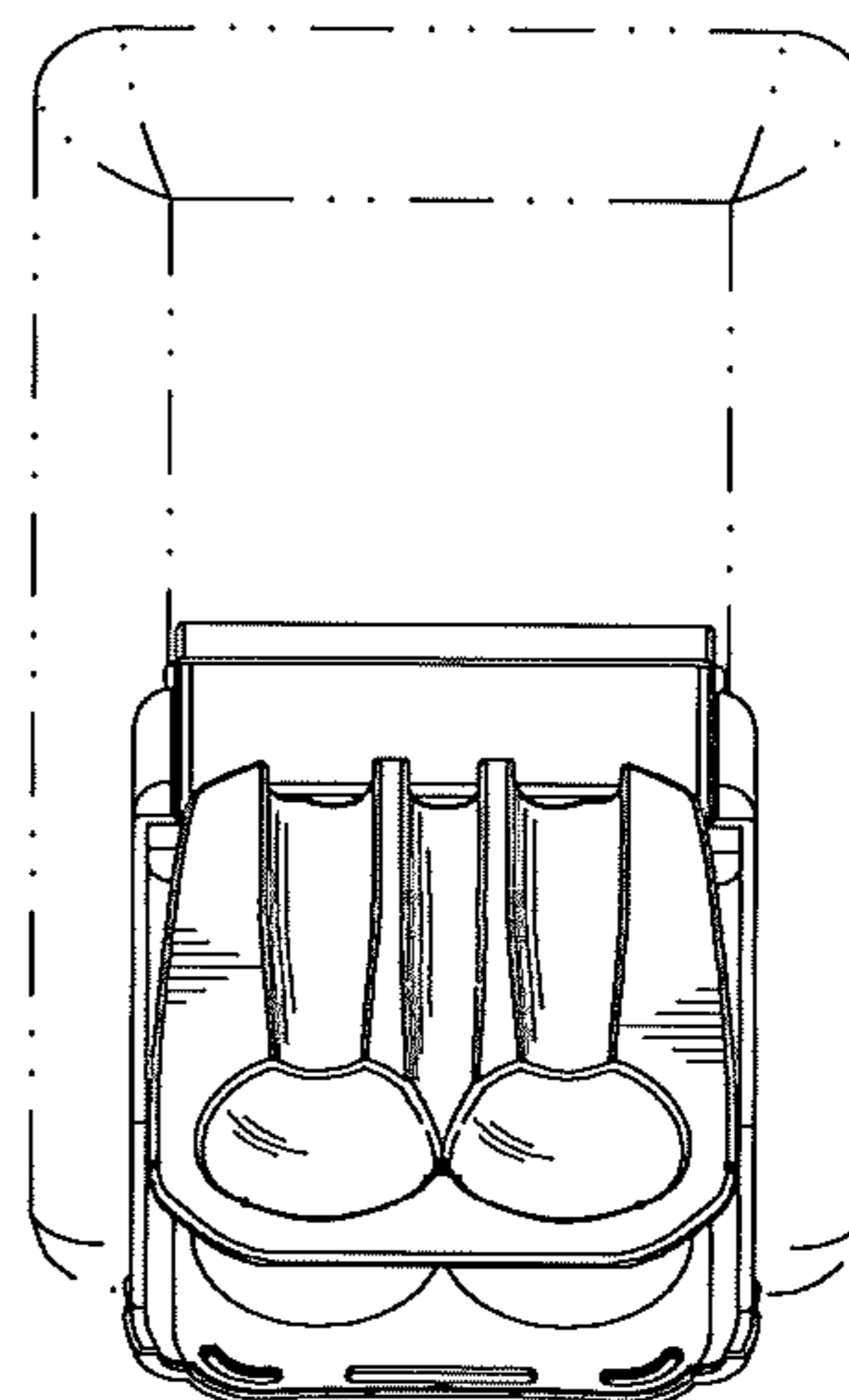


Fig. 4

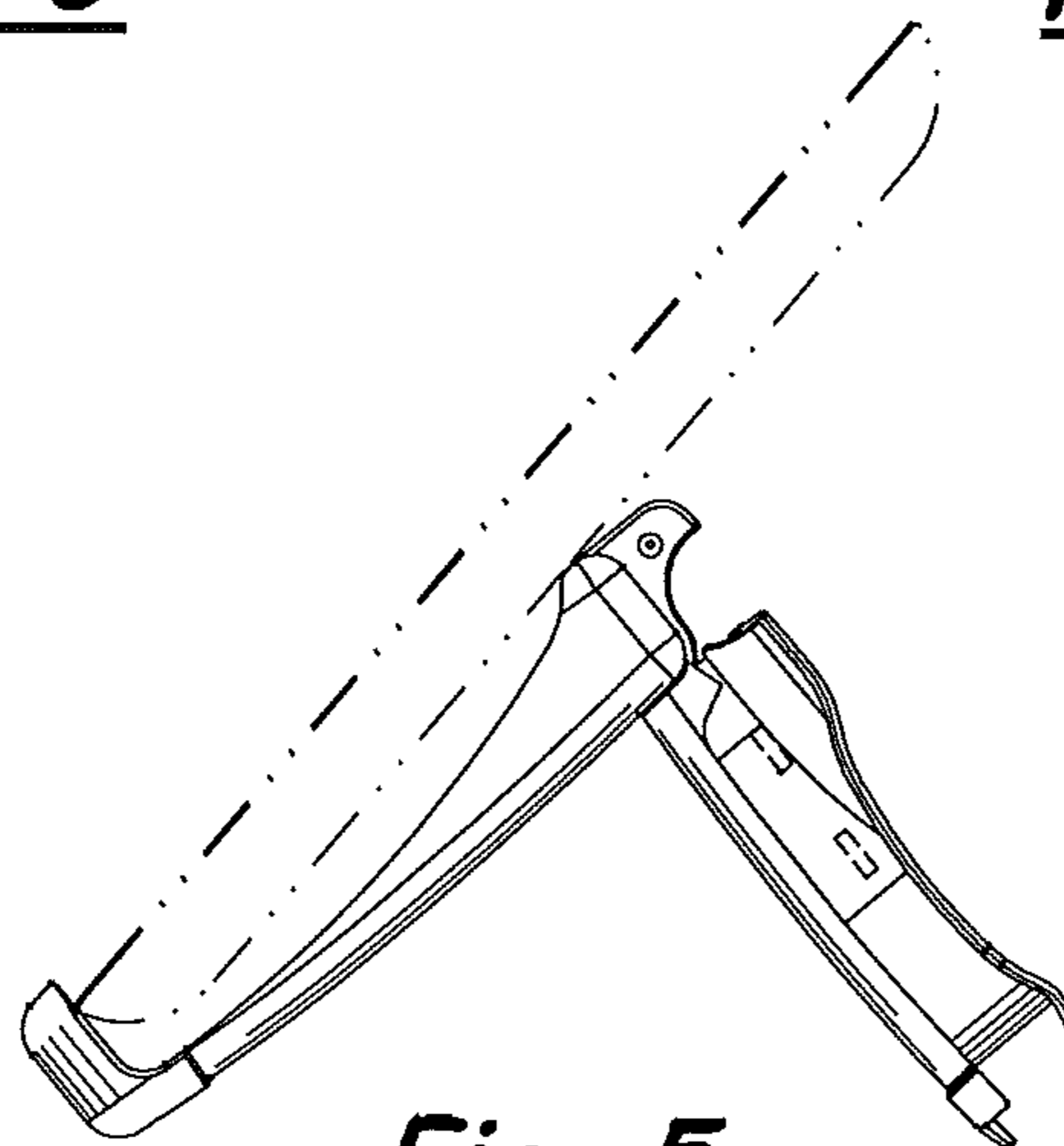


Fig. 5

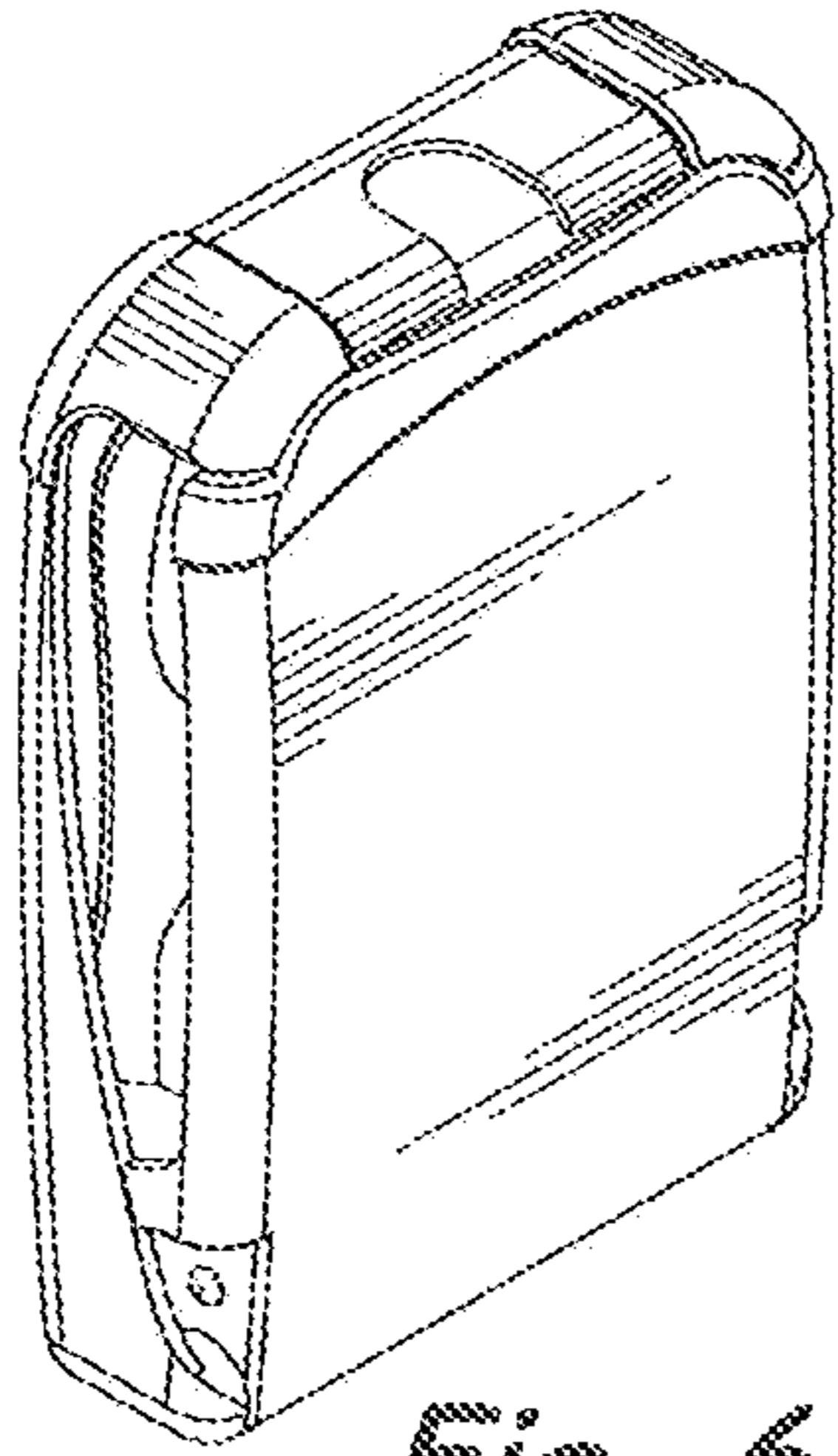


Fig. 6

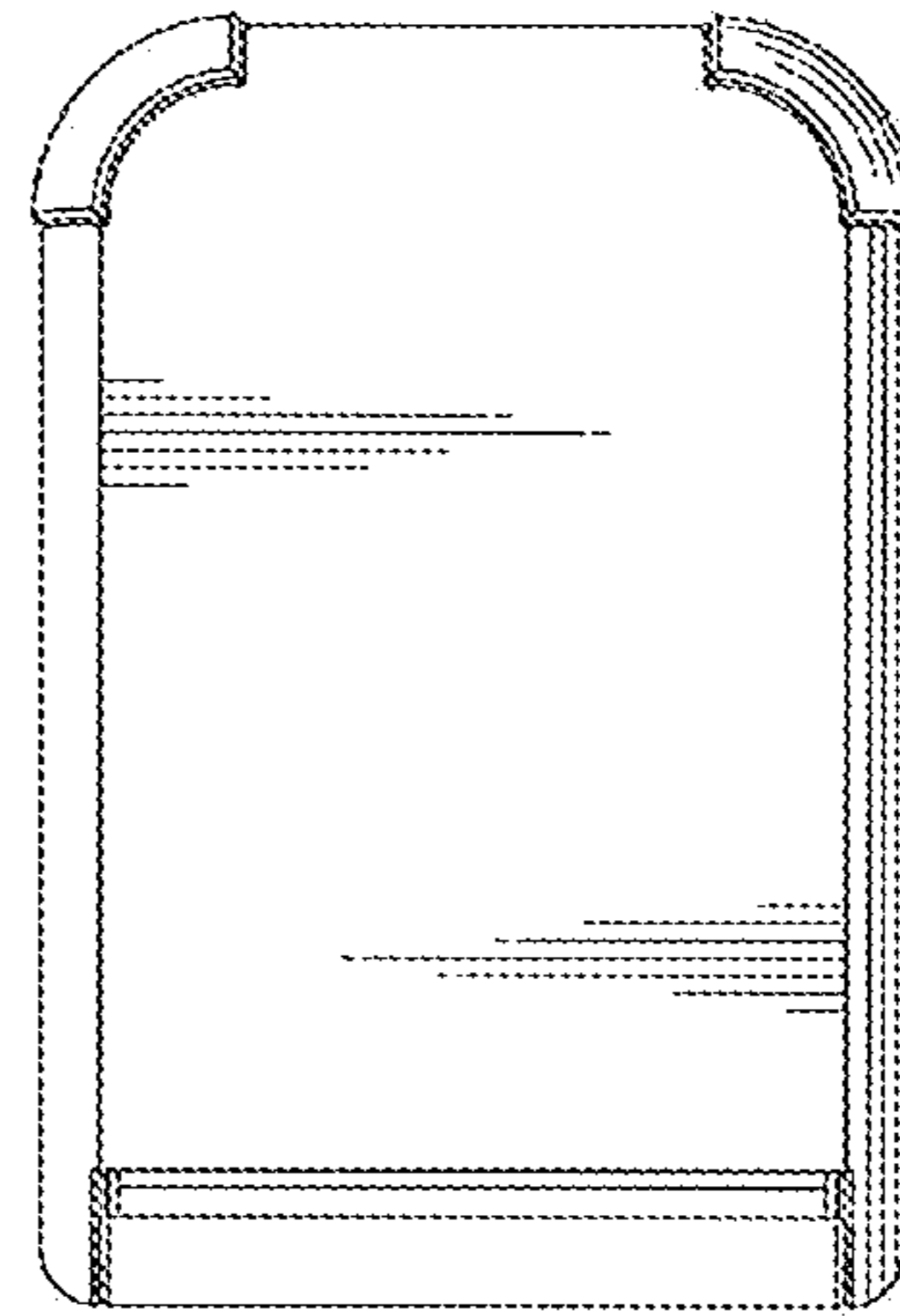


Fig. 7

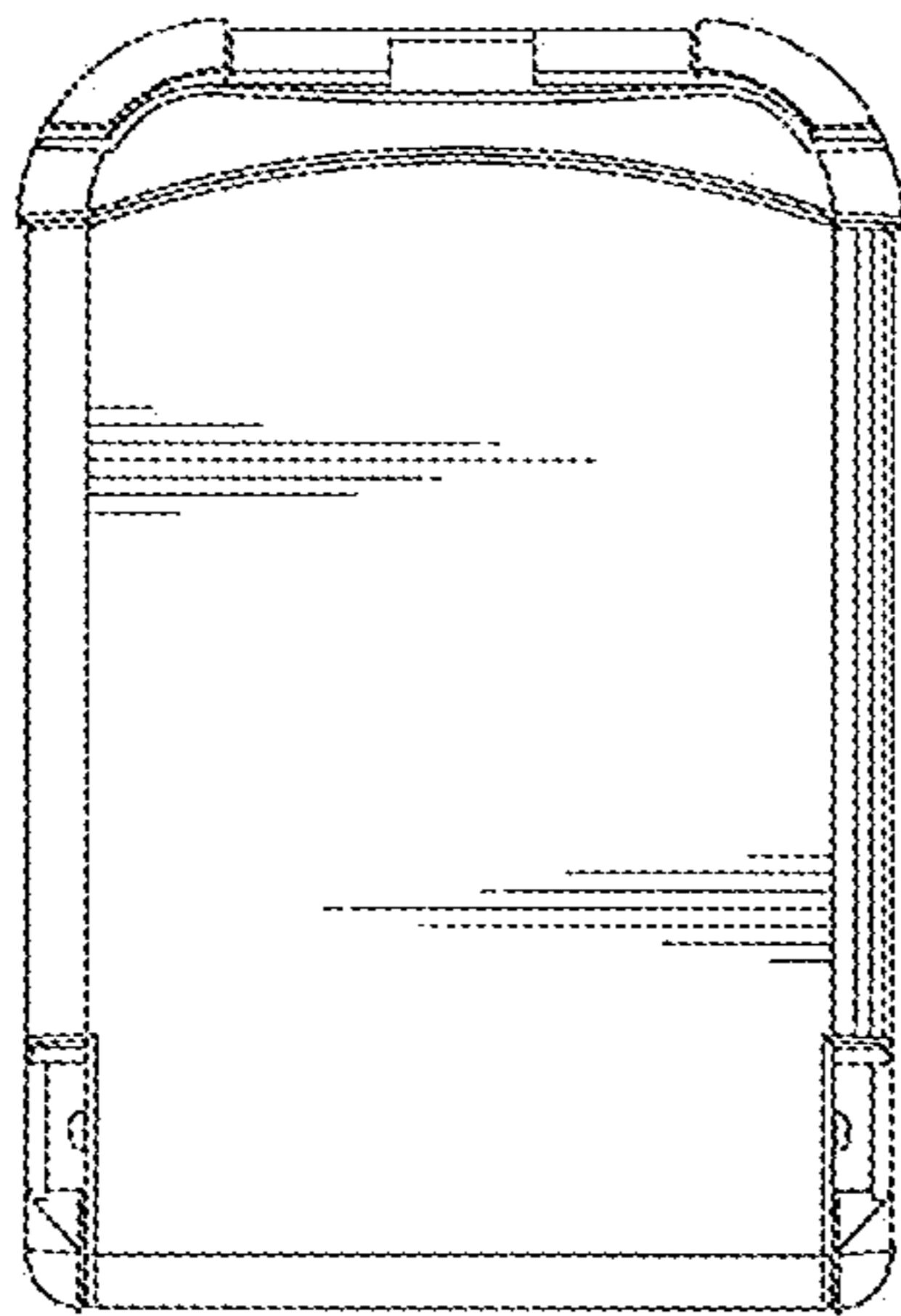


Fig. 8

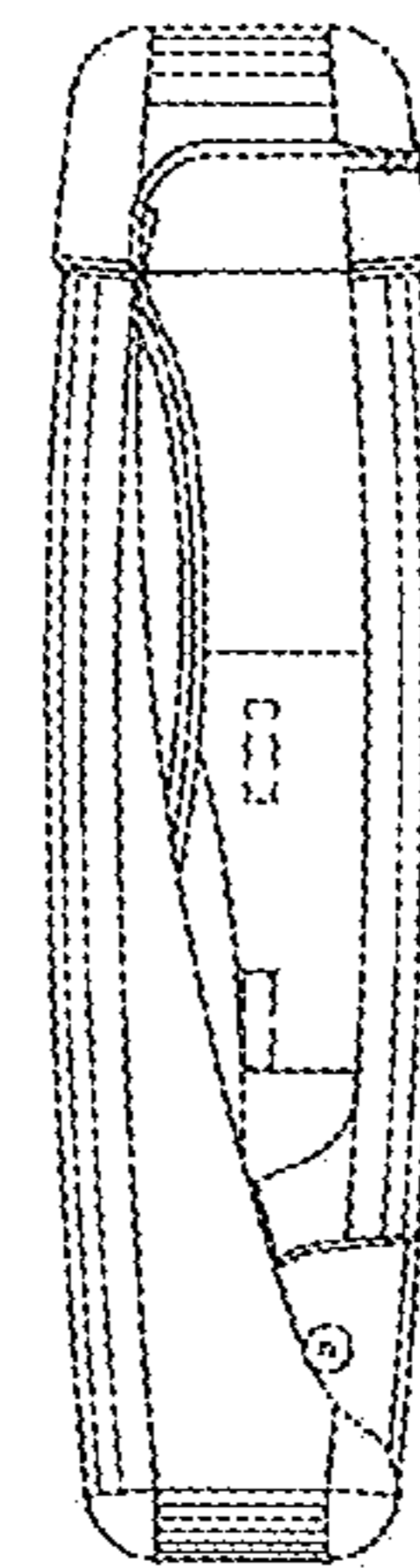


Fig. 9

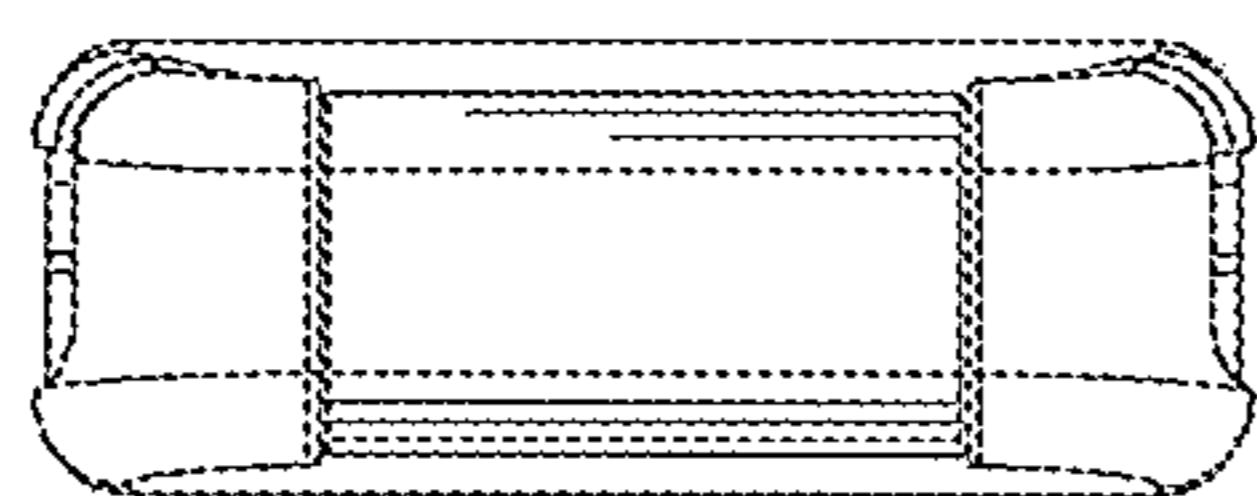


Fig. 10

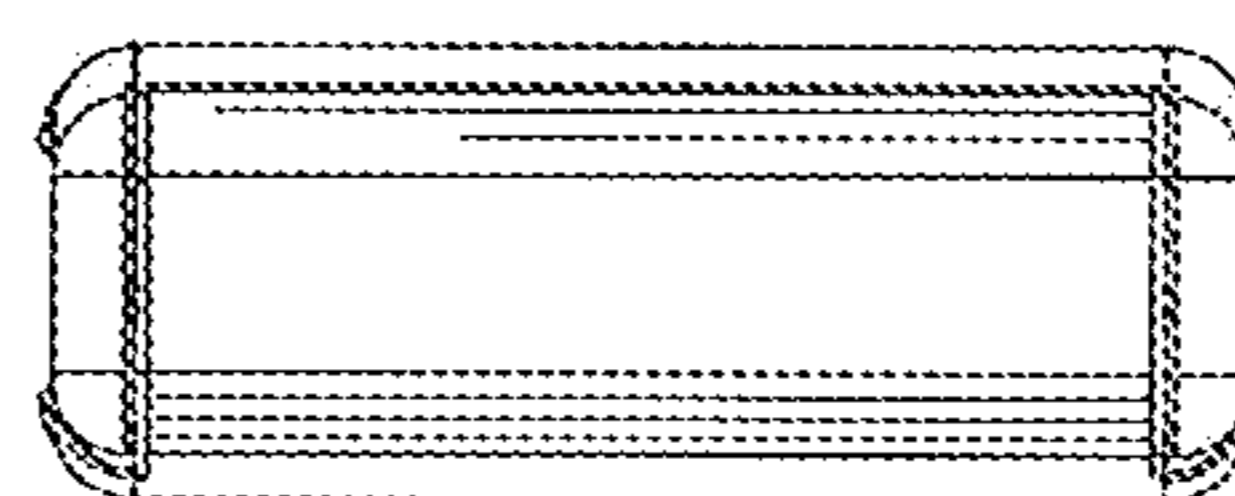


Fig. 11