



US00D682549S

(12) **United States Design Patent**
Lee et al.

(10) **Patent No.:** **US D682,549 S**
(45) **Date of Patent:** **** May 21, 2013**

- (54) **CADDY**
- (75) Inventors: **Megan L. Lee**, North Oaks, MN (US);
Emily A. Hendley, Minneapolis, MN (US)
- (73) Assignee: **Target Brands, Inc.**, Minneapolis, MN (US)
- (**) Term: **14 Years**
- (21) Appl. No.: **29/412,360**
- (22) Filed: **Feb. 2, 2012**
- (51) **LOC (9) Cl.** **03-01**
- (52) **U.S. Cl.**
USPC **D3/271.2**
- (58) **Field of Classification Search** D3/270,
D3/271.1, 271.2; D4/608; D11/149; D6/539,
D6/557; 206/457
See application file for complete search history.

- 4,356,928 A * 11/1982 Stafford 220/263
- D269,028 S * 5/1983 Gardner D3/271.2
- D298,066 S * 10/1988 Bussell D28/8.2
- 4,819,805 A * 4/1989 Sen 206/457
- D363,038 S * 10/1995 Huang D10/116.1
- D672,108 S * 12/2012 Lee et al. D34/4
- 2012/0228175 A1 * 9/2012 Ressel et al. 206/457

* cited by examiner

Primary Examiner — Cynthia Ramirez

(74) *Attorney, Agent, or Firm* — Leanne Taveggia Farrell;
Westman, Champlin & Kelly, P.A.

(57) **CLAIM**

The ornamental design for a caddy, as shown and described.

DESCRIPTION

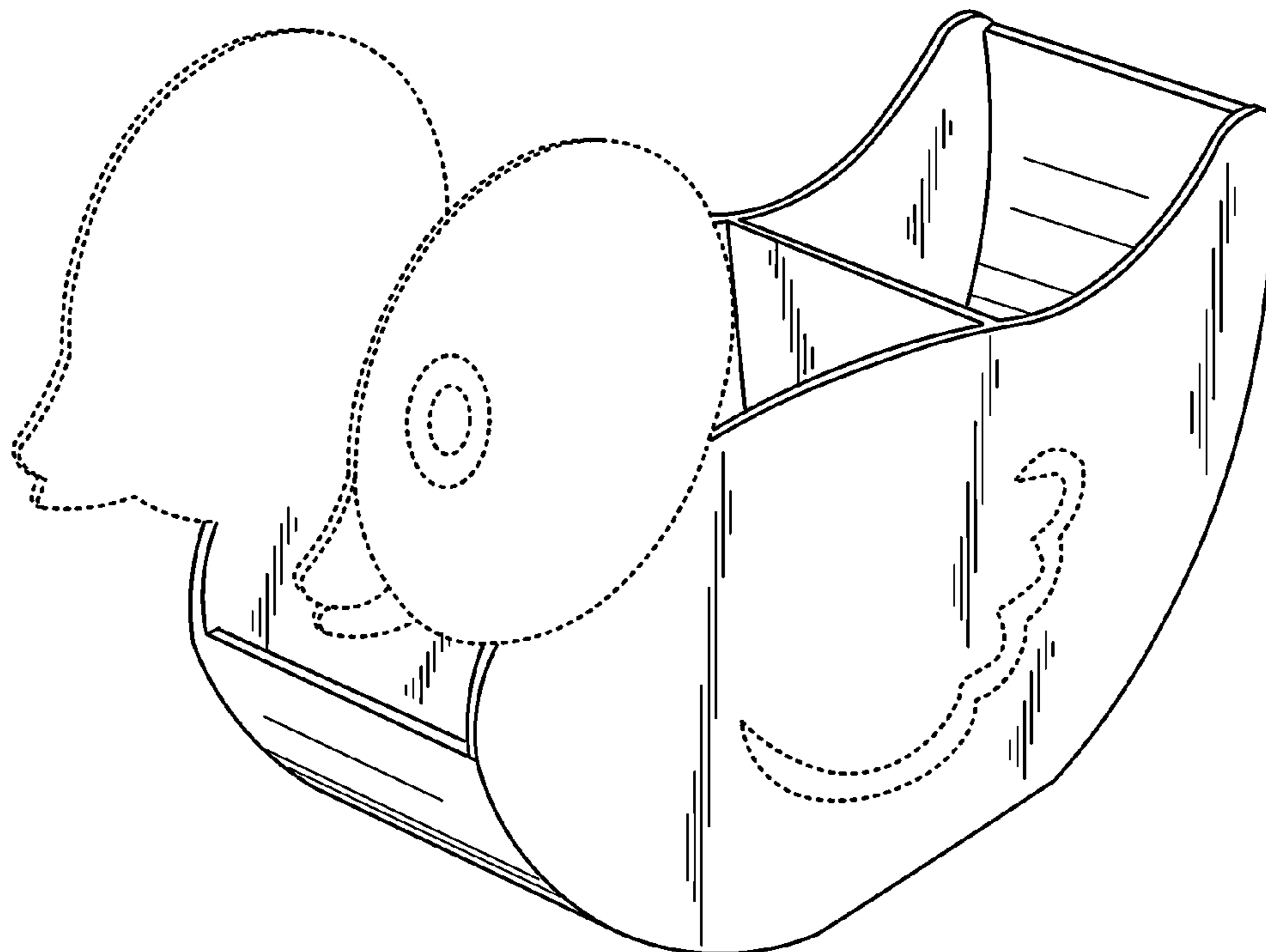
FIG. 1 is a perspective view of a caddy showing our new design;
 FIG. 2 is a right side view thereof;
 FIG. 3 is a left side view thereof;
 FIG. 4 is a front view thereof;
 FIG. 5 is a rear view thereof;
 FIG. 6 is a top view thereof; and,
 FIG. 7 is a bottom view thereof.
 The broken lines shown in the figures are included for the purpose of illustrating portions of the caddy and form no part of the claimed design.

1 Claim, 4 Drawing Sheets

(56) **References Cited**

U.S. PATENT DOCUMENTS

- D194,714 S * 2/1963 Paganelli D9/604
- D220,195 S * 3/1971 Steffens D21/608
- D260,915 S * 9/1981 Orenstein D21/608



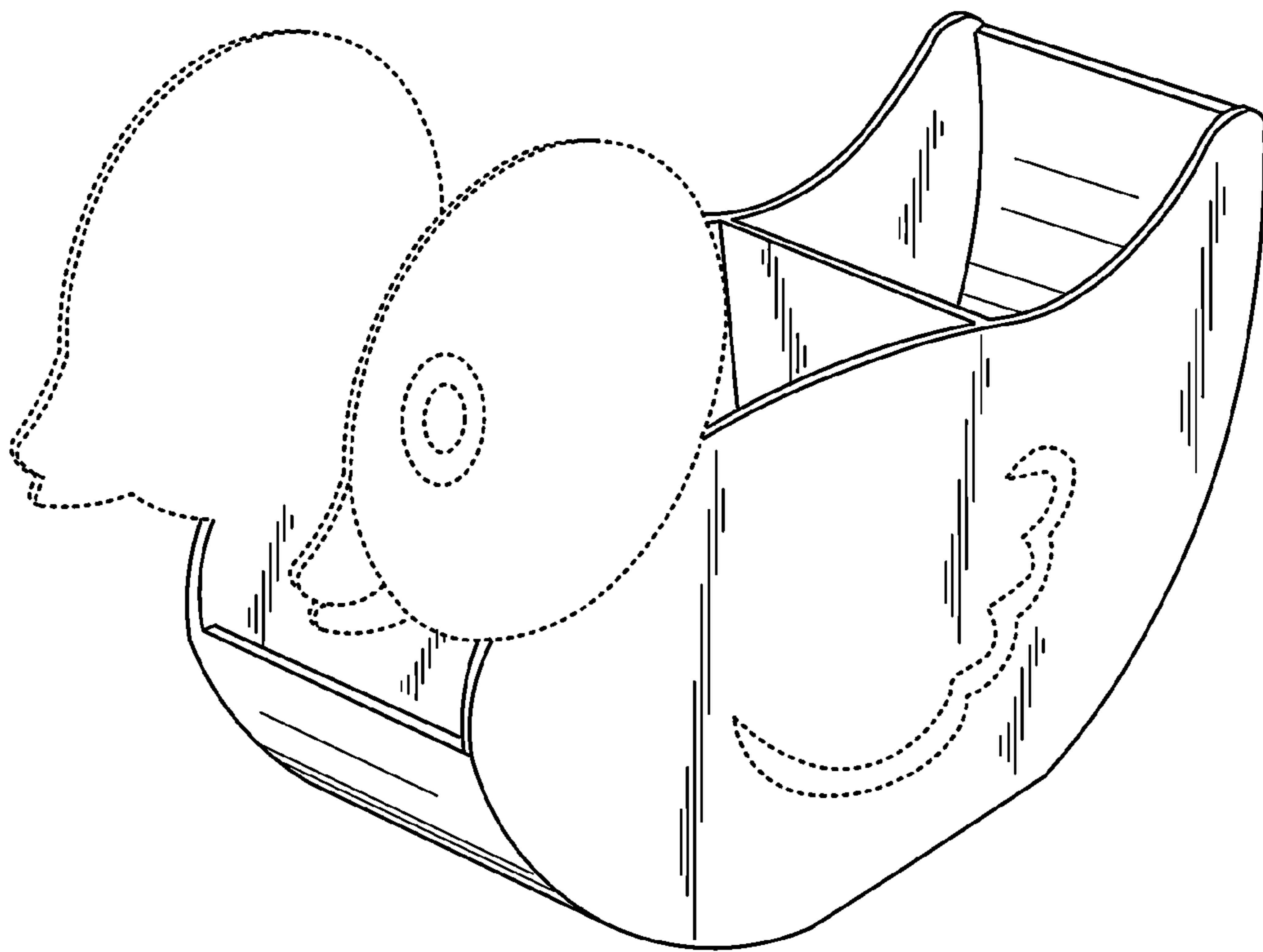


FIG. 1

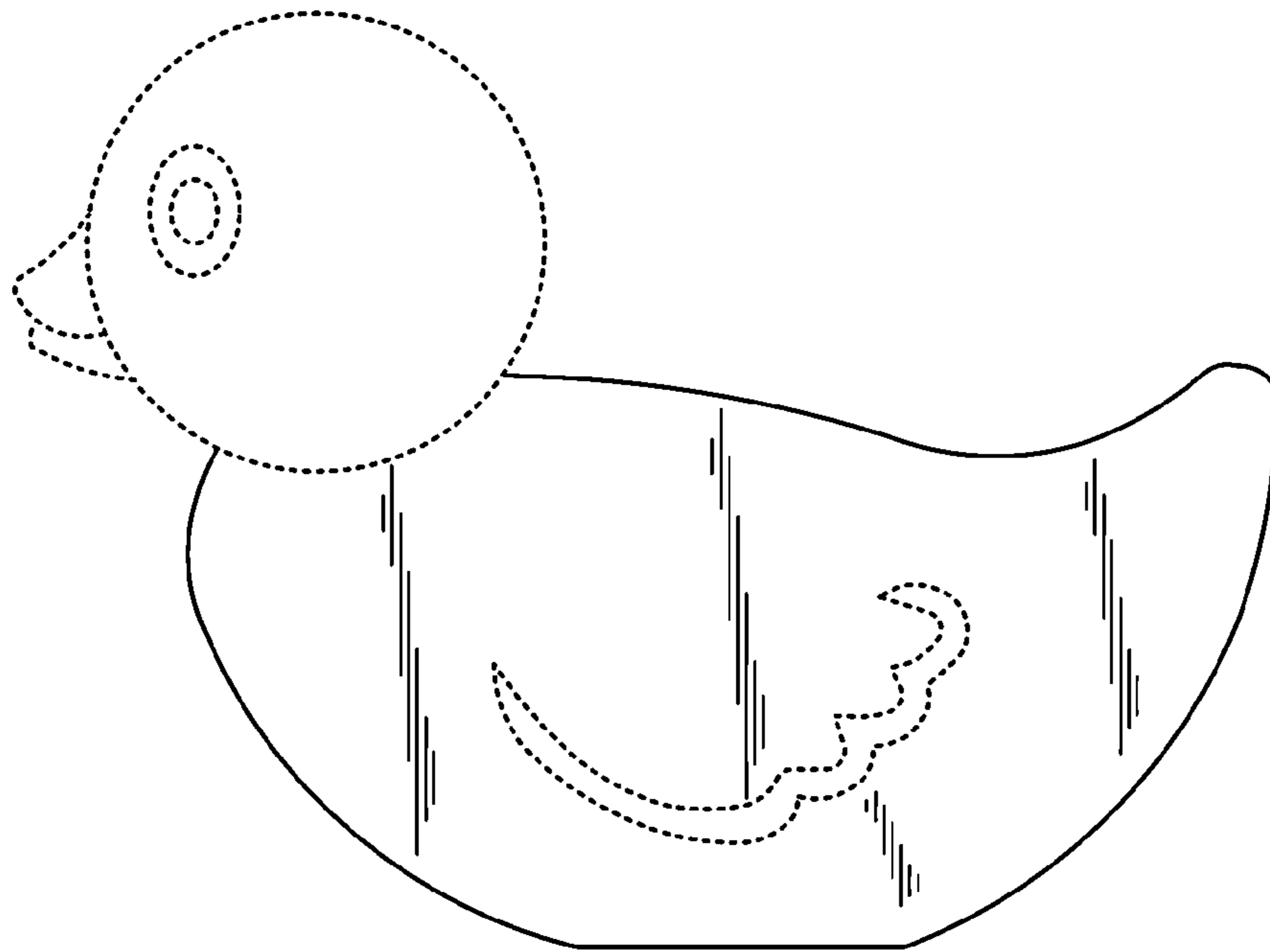


FIG. 2

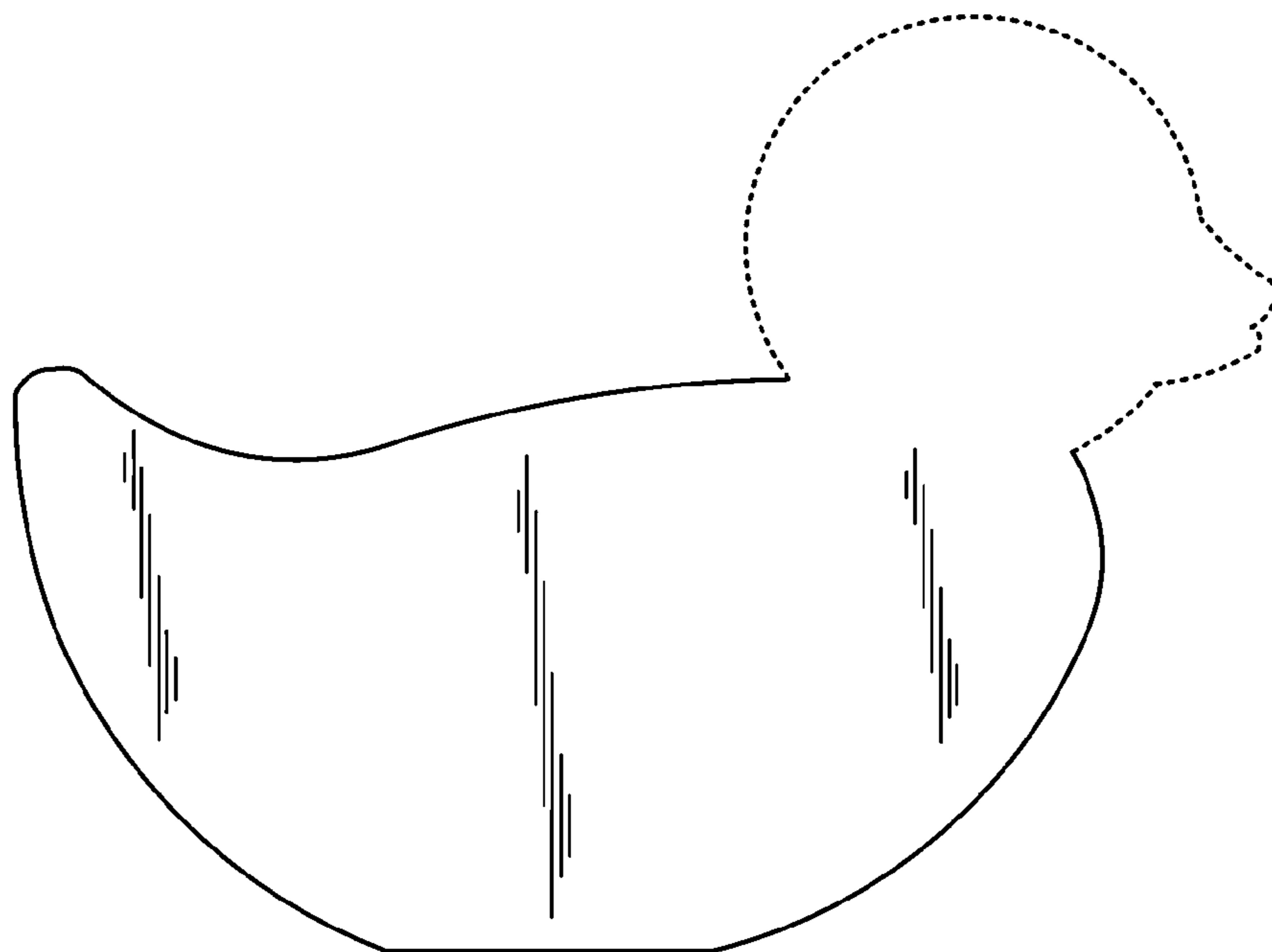


FIG. 3

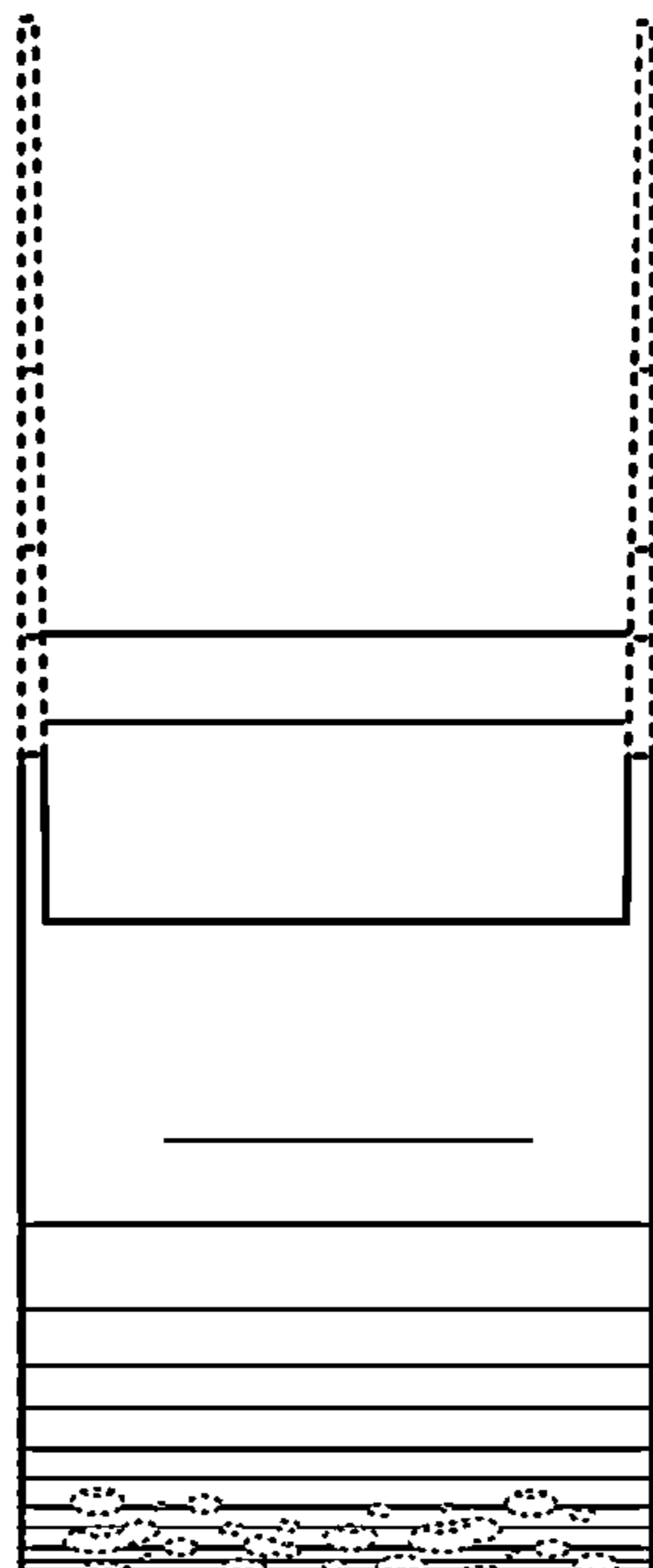


FIG. 4

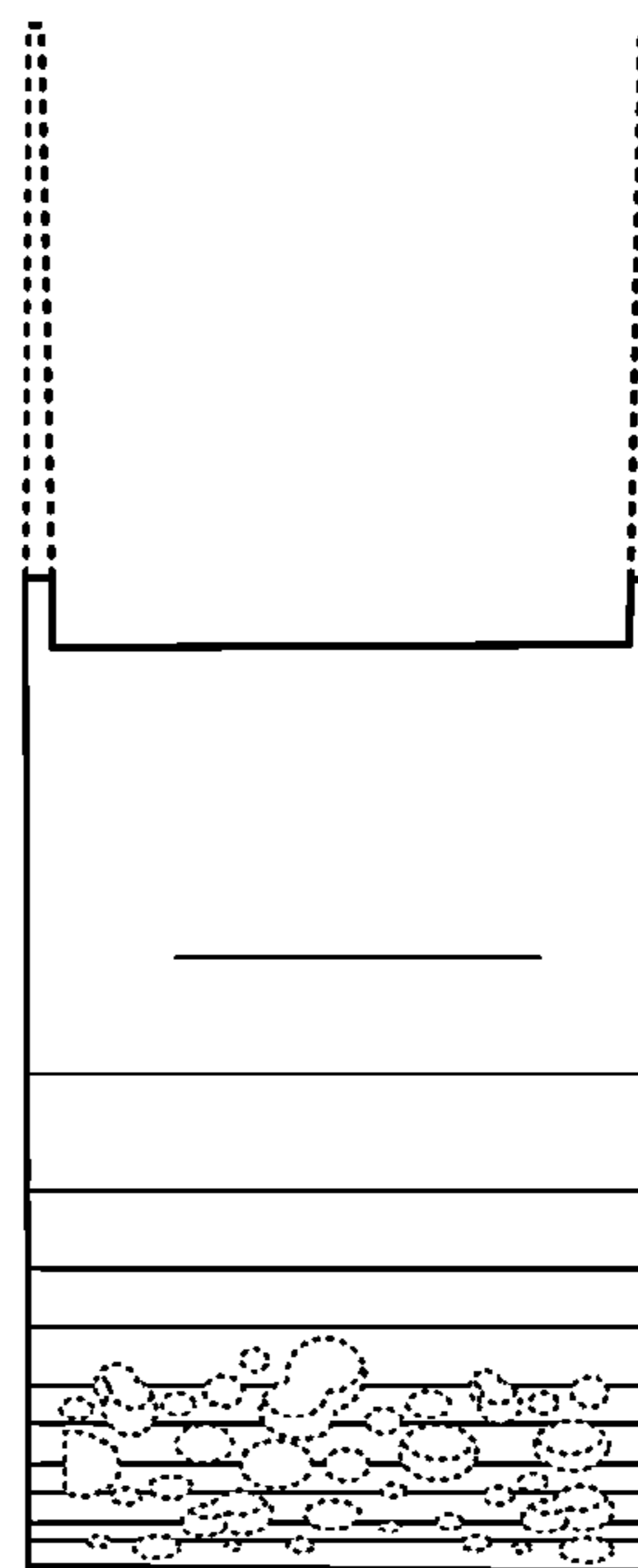


FIG. 5

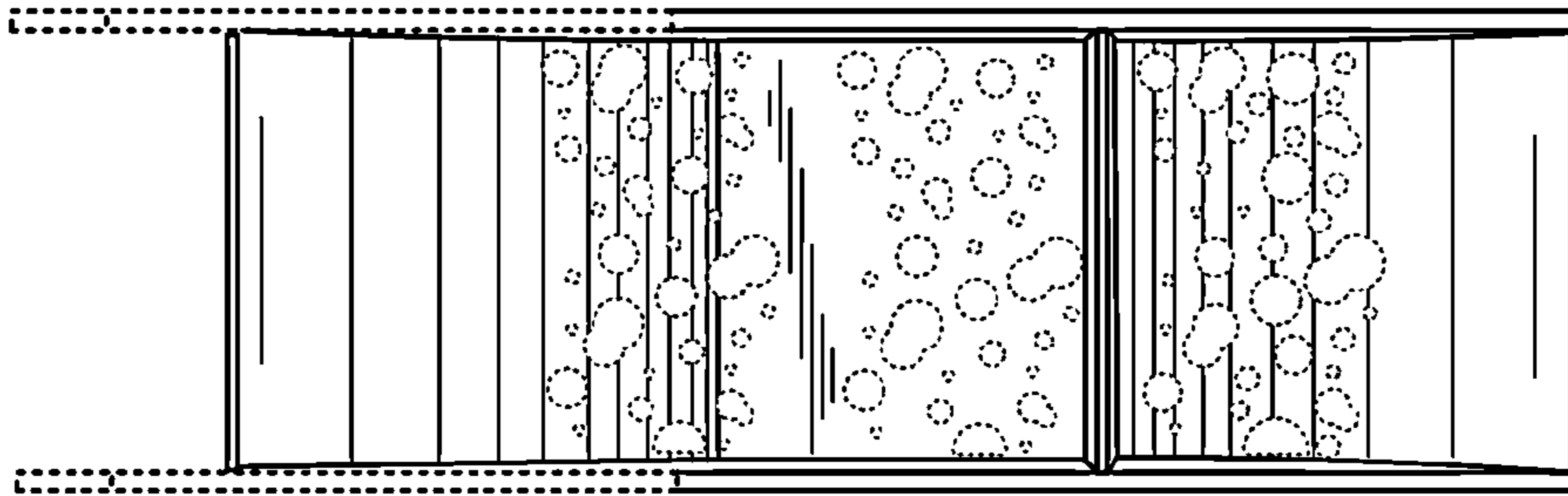


FIG. 6

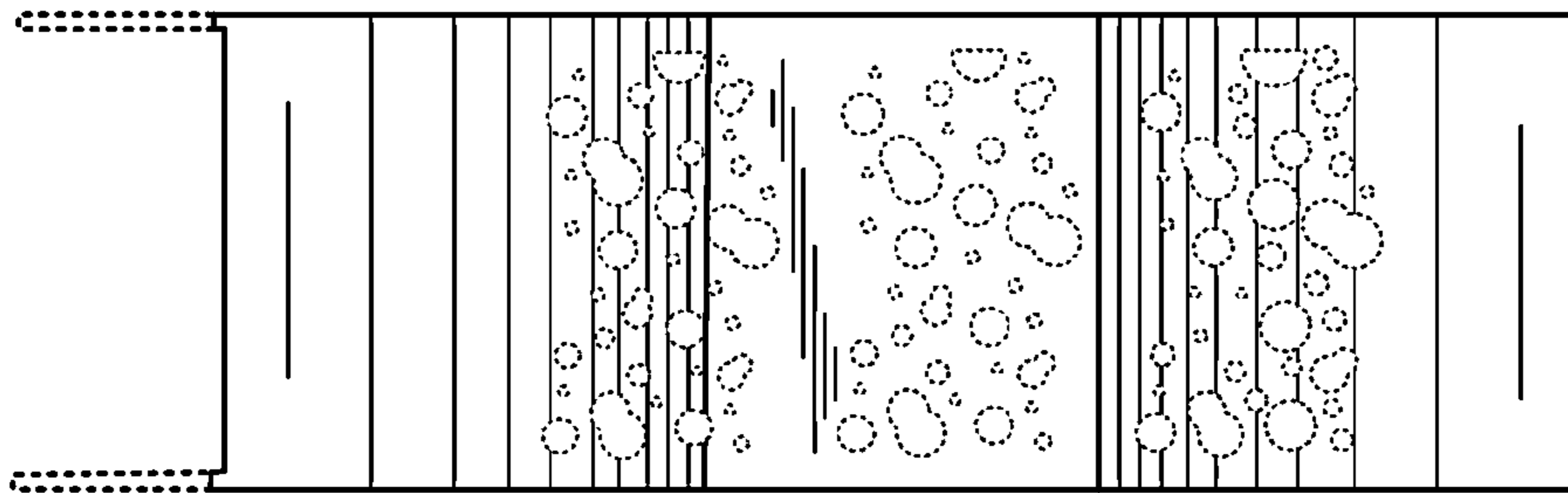


FIG. 7