



US00D682546S

(12) **United States Design Patent**
Nicolini

(10) **Patent No.:** **US D682,546 S**
(45) **Date of Patent:** **** May 21, 2013**

- (54) **BAG**
- (75) Inventor: **Derek Nicolini**, Hull (GB)
- (73) Assignee: **Smith & Nephew PLC**, London (GB)
- (**) Term: **14 Years**
- (21) Appl. No.: **29/409,389**
- (22) Filed: **Dec. 22, 2011**

D607,202 S 1/2010 Pidgeon et al.
 D617,094 S 6/2010 Pidgeon et al.
 2010/0187065 A1 7/2010 Pidgeon et al.

FOREIGN PATENT DOCUMENTS
 WO WO 2007/030599 A2 3/2007

OTHER PUBLICATIONS
 Kalypto Medical, NPD 1000™ Negative Pressure Wound Care System, Jun. 2011. Retrieved from http://www.kalyptomedical.com/pdf/50089RevB_Kalypto_NPD_1000_Bro_final.pdf.
 KCI, Prevena™ Incision Management System, 2010. Retrieved from <http://www.kci1.com/KCI1/prevena>.

- (30) **Foreign Application Priority Data**
 Jul. 14, 2011 (EM) 001891474-0001
- (51) **LOC (9) Cl.** **03-01**
- (52) **U.S. Cl.**
 USPC **D3/232**
- (58) **Field of Classification Search** D3/232–233,
 D3/240–246; 150/100, 103–110, 113–114,
 150/117–119
 See application file for complete search history.

* cited by examiner

Primary Examiner — Holly Baynham
 (74) *Attorney, Agent, or Firm* — Knobbe Martens Olson & Bear, LLP.

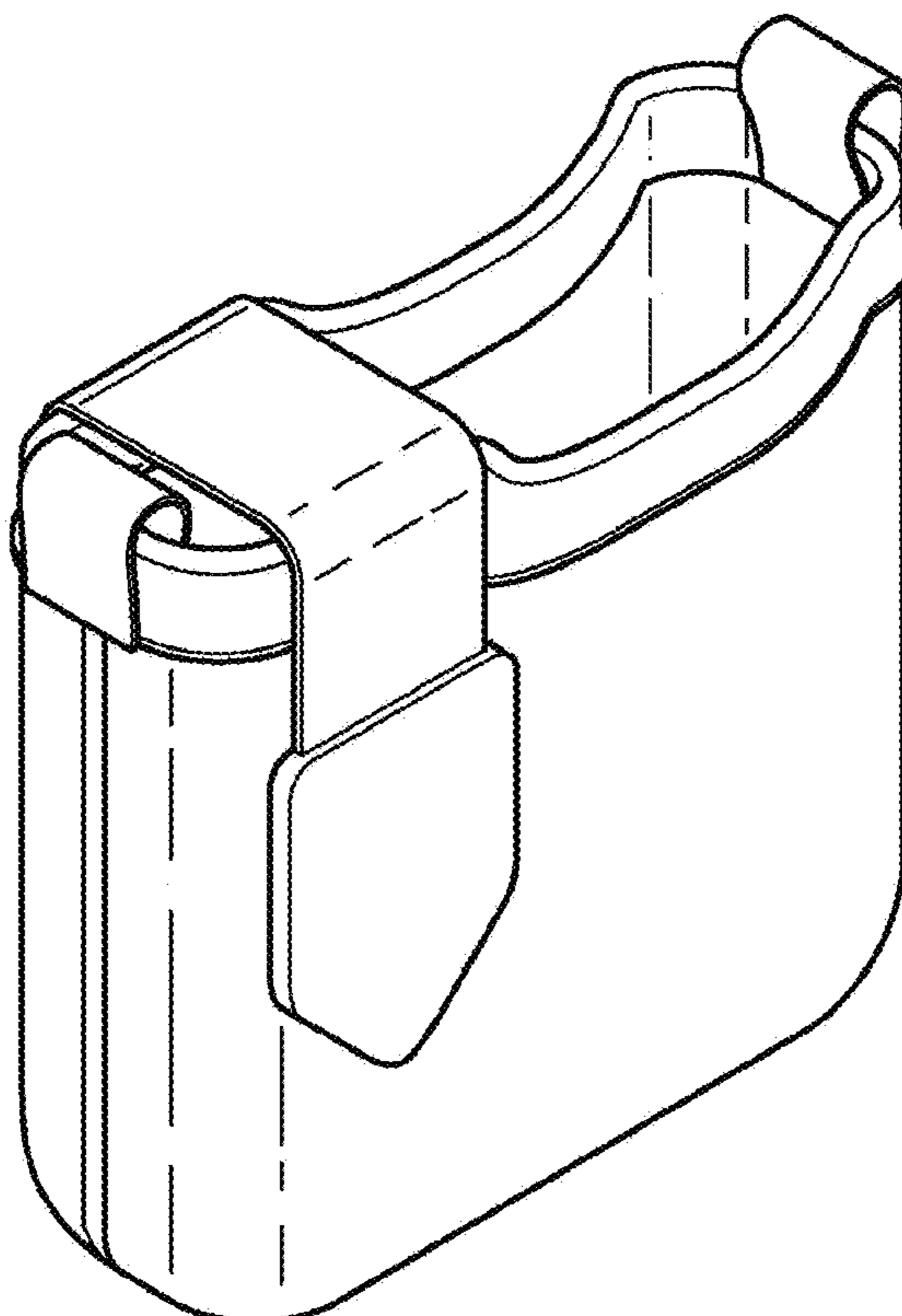
(57) **CLAIM**
 The ornamental design for a bag, as shown and described.

- (56) **References Cited**
 U.S. PATENT DOCUMENTS
 D73,419 S * 9/1927 Weber D3/246
 5,134,994 A 8/1992 Say
 D414,925 S 10/1999 Holland
 D424,803 S * 5/2000 Kojoori D3/249
 D524,044 S * 7/2006 Higgins et al. D3/242
 D526,778 S * 8/2006 Higgins et al. D3/242
 D528,294 S * 9/2006 Higgins et al. D3/242
 D587,901 S 3/2009 Pidgeon et al.

DESCRIPTION

FIG. 1 is a perspective view of a bag.
 FIG. 2 is front view of the bag of FIG. 1.
 FIG. 3 is a rear view of the bag of FIG. 1.
 FIG. 4 is a left side view of the bag of FIG. 1.
 FIG. 5 is a right side view of the bag of FIG. 1.
 FIG. 6 is a top view of the bag of FIG. 1; and,
 FIG. 7 is a bottom view of the bag of FIG. 1.

1 Claim, 5 Drawing Sheets



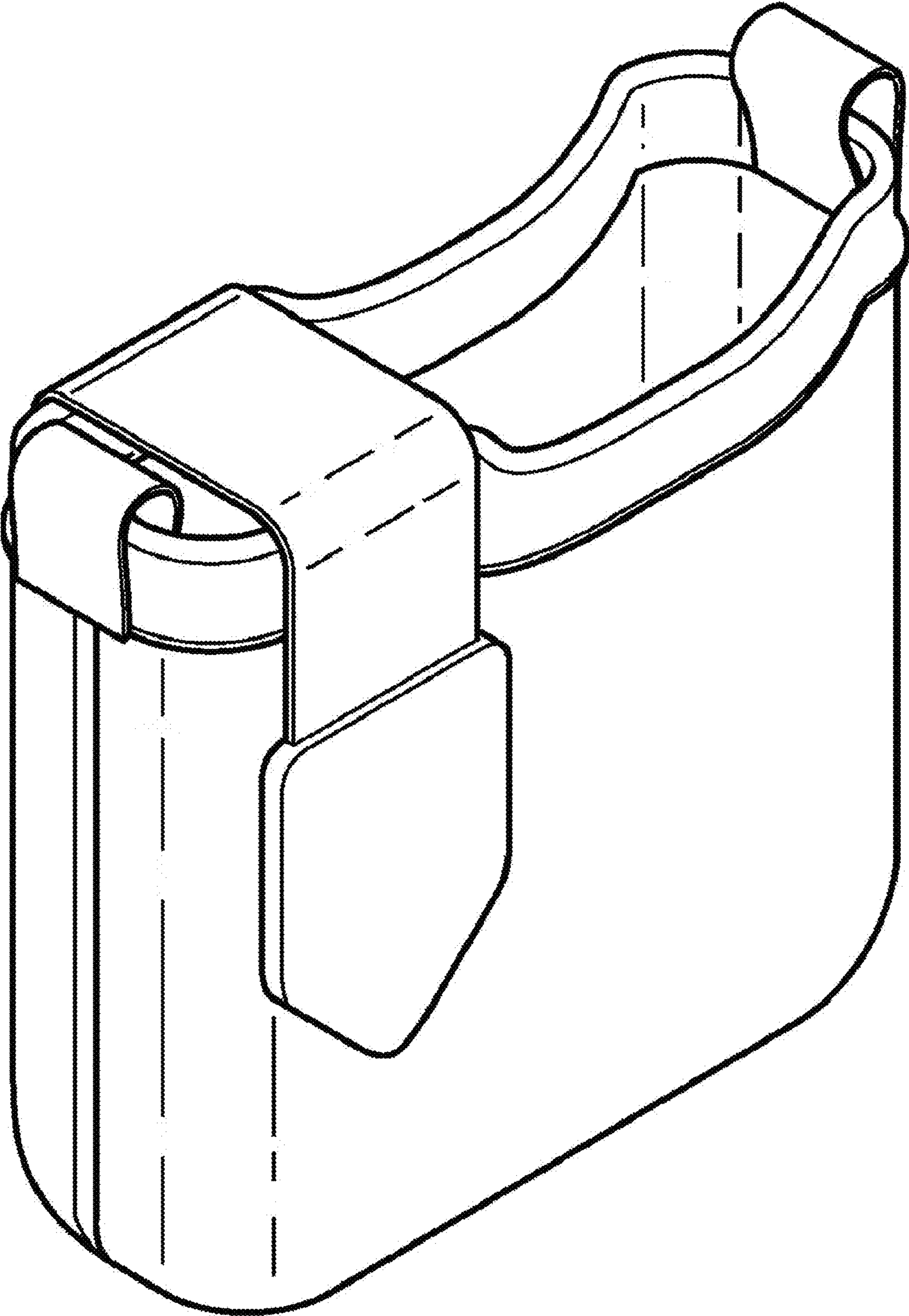


FIG. 1

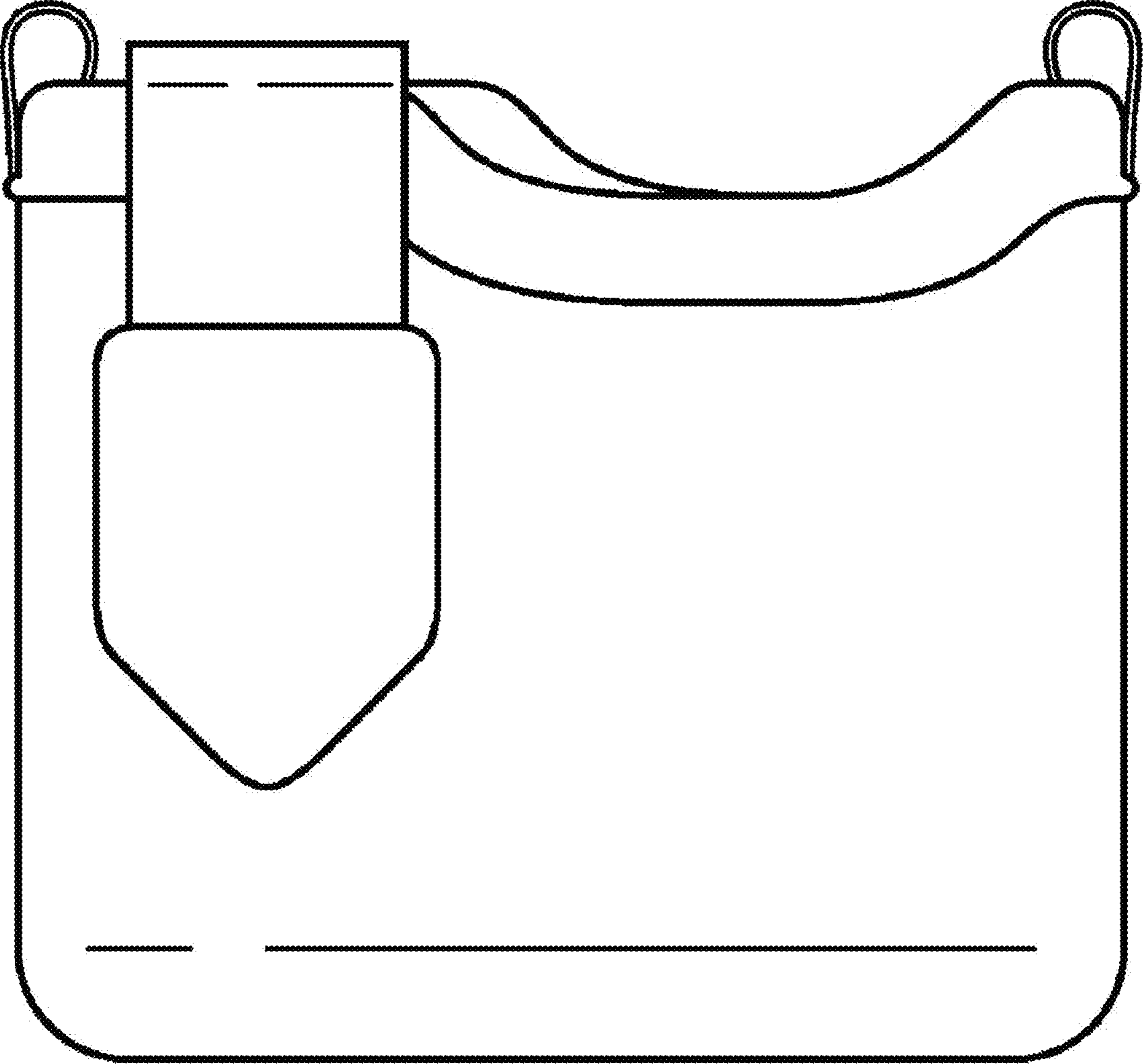


FIG. 2

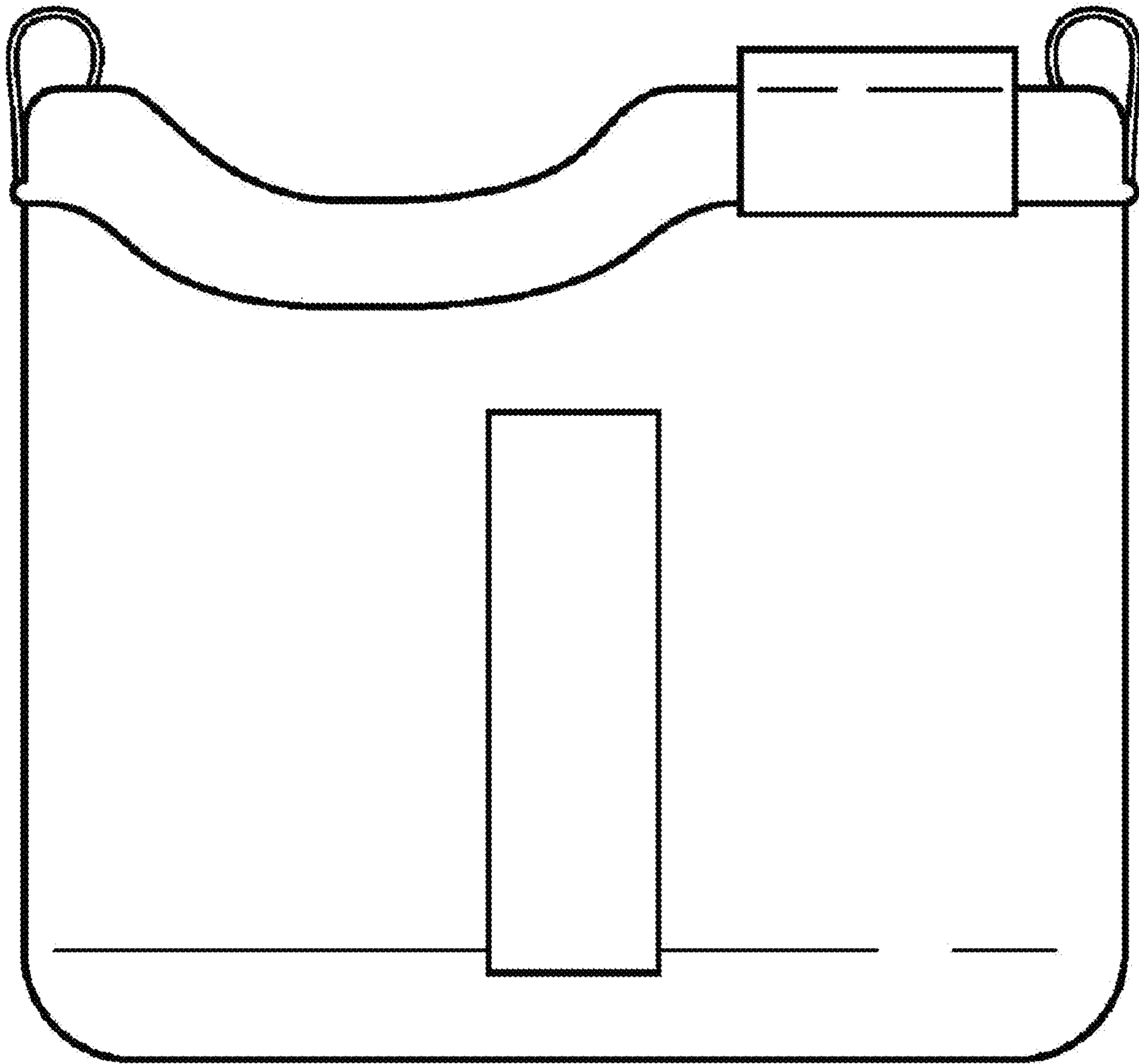


FIG. 3

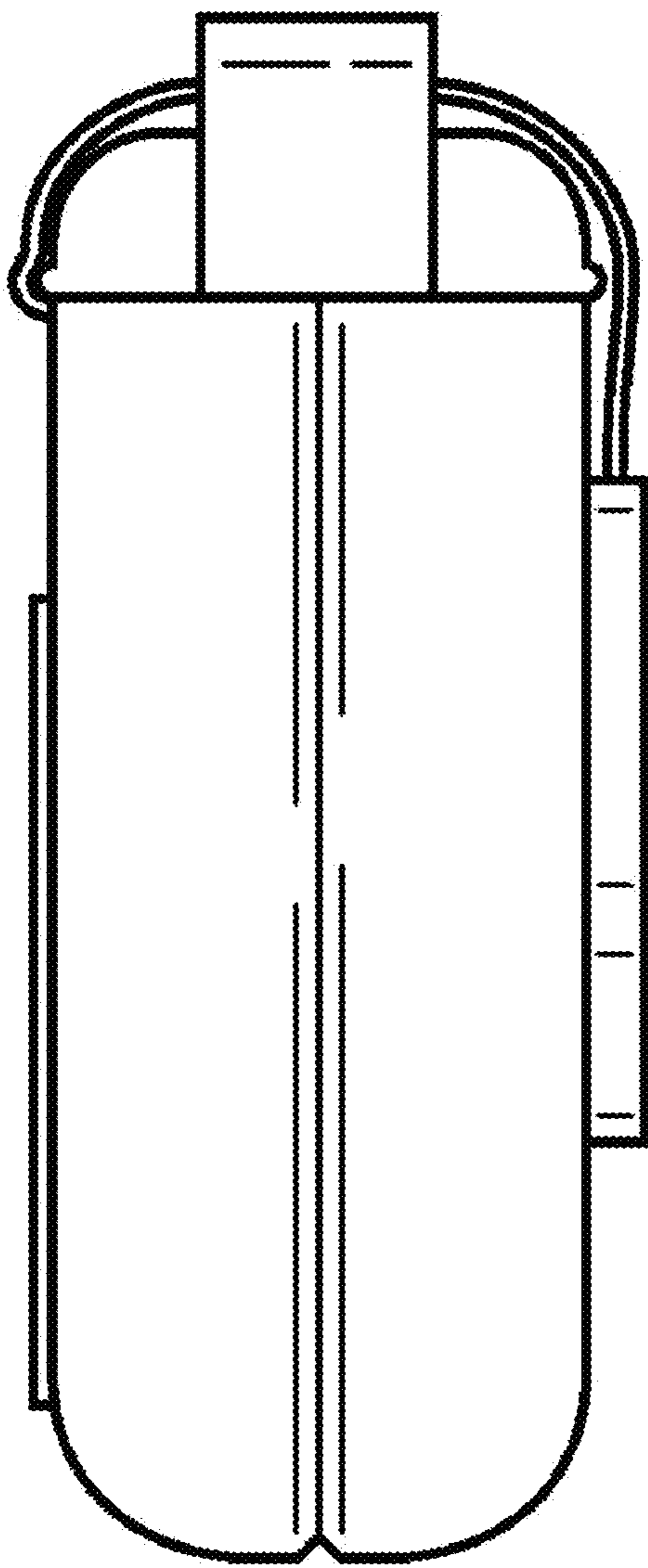


FIG. 4

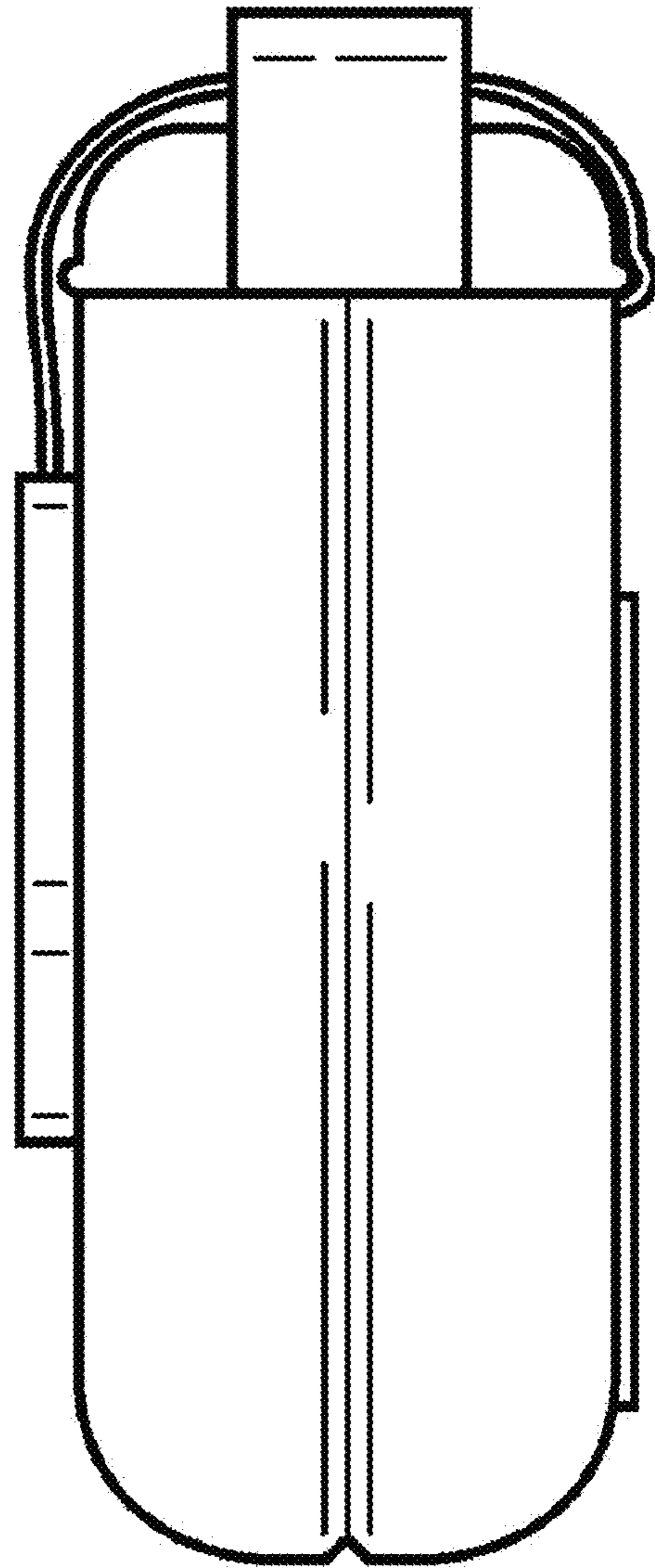


FIG. 5

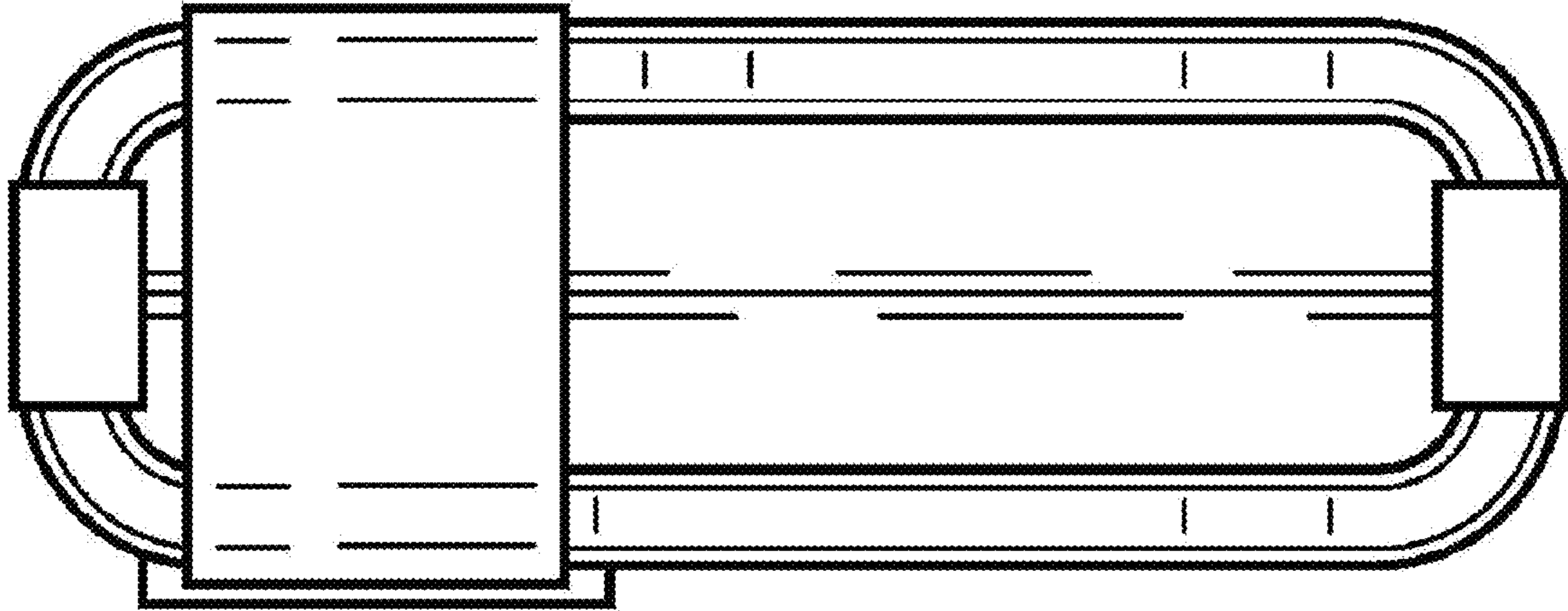


FIG. 6

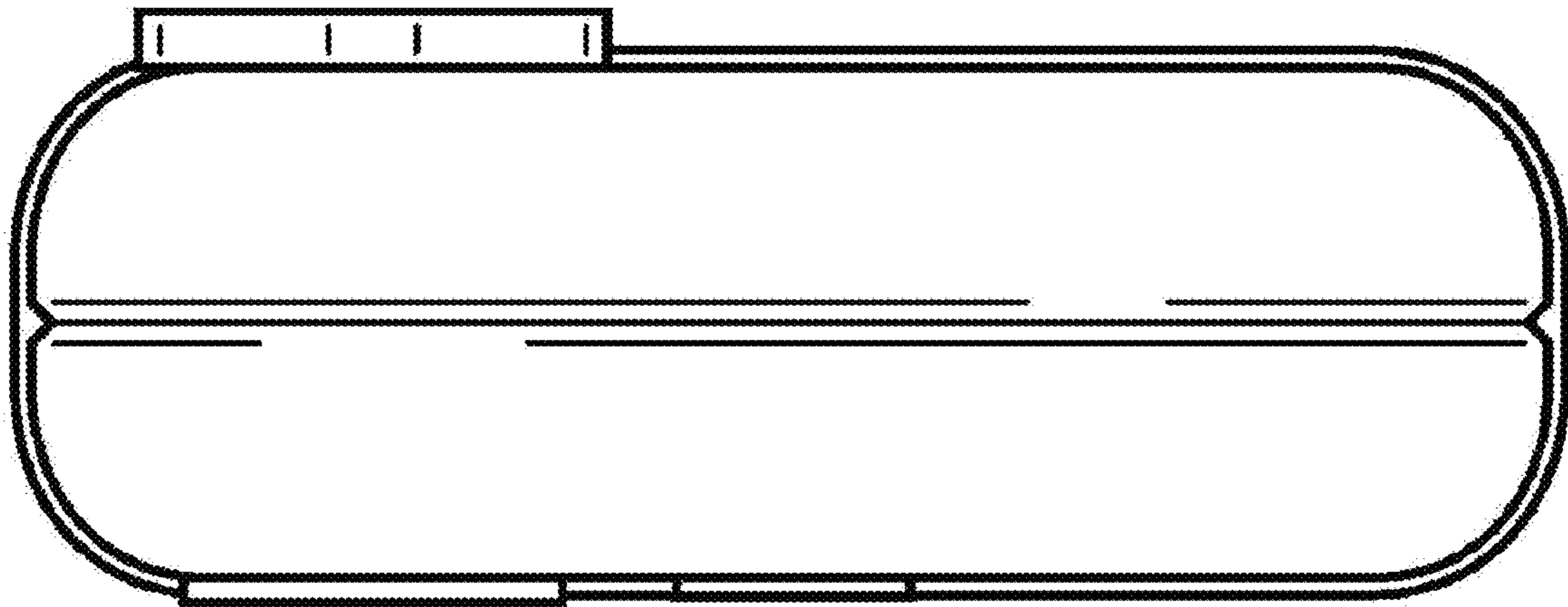


FIG. 7