



US00D682545S

(12) **United States Design Patent**
Willows et al.

(10) **Patent No.:** **US D682,545 S**

(45) **Date of Patent:** **** May 21, 2013**

(54) **HANDHELD BOTTLE SLEEVE**

(74) *Attorney, Agent, or Firm* — Lowe Graham Jones PLLC

(75) Inventors: **Keith S. Willows**, Seattle, WA (US);
June A. Angus, Seattle, WA (US);
Antonio Del Rosario, Bellevue, WA (US)

(57) **CLAIM**

We claim the ornamental design for the handheld bottle sleeve, as shown and described.

(73) Assignee: **Amphipod, Inc.**, Seattle, WA (US)

DESCRIPTION

(**) Term: **14 Years**

(21) Appl. No.: **29/424,109**

(22) Filed: **Jun. 7, 2012**

(51) **LOC (9) Cl.** **03-01**

(52) **U.S. Cl.**
USPC **D3/229**

(58) **Field of Classification Search** D3/229,
D3/215, 224, 226; D7/605, 607-608, 619.1,
D7/619.2; 224/148.3, 148.4, 148.6; 215/11.6,
215/395; 220/592.24, 739, 754, 903
See application file for complete search history.

(56) **References Cited**

U.S. PATENT DOCUMENTS

3,212,660	A	10/1965	Adell	
3,533,526	A	10/1970	Adell	
3,537,498	A	11/1970	Amand	
3,964,709	A	6/1976	LaBelle et al.	
3,981,166	A	9/1976	Madonna	
4,366,922	A	1/1983	Levine et al.	
4,401,245	A *	8/1983	Zills	224/148.3
D285,659	S	9/1986	Paulovich et al.	
4,723,801	A	2/1988	Musumeci et al.	
RE34,725	E	9/1994	Braden	
D385,106	S *	10/1997	Melk	D3/215
6,019,245	A *	2/2000	Foster et al.	220/739
D467,418	S *	12/2002	Perron	D3/229
D494,471	S	8/2004	Chou	

(Continued)

FIG. 1 is a perspective view of the handheld bottle sleeve, showing our new design.

FIG. 2 is a front view of the handheld bottle sleeve.

FIG. 3 is a left side view of the handheld bottle sleeve.

FIG. 4 is a right side view of the handheld bottle sleeve.

FIG. 5 is a rear view of the handheld bottle sleeve.

FIG. 6 is a top view of the handheld bottle sleeve.

FIG. 7 is a bottom view of the handheld bottle sleeve.

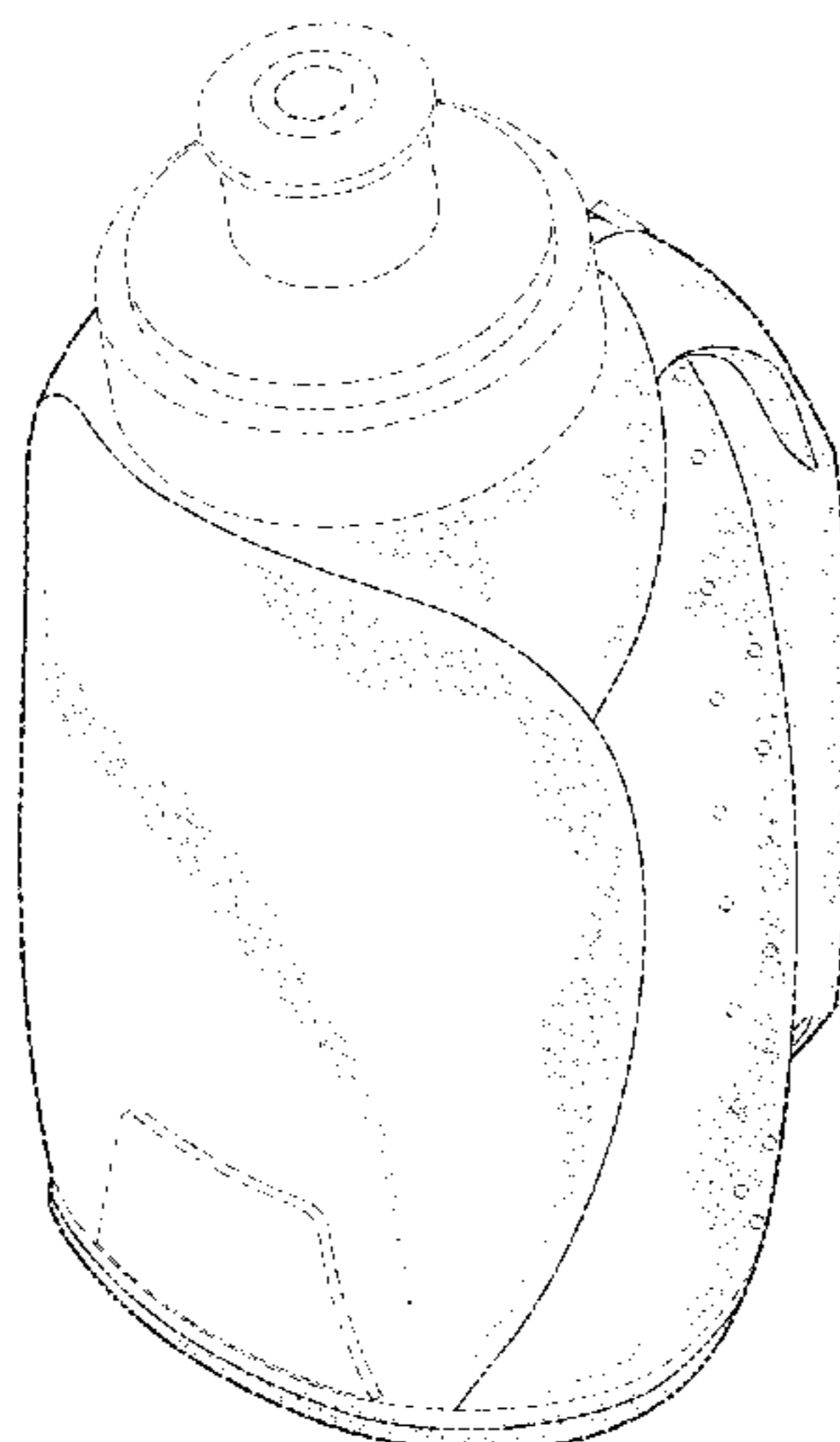
FIG. 8 is a top view of the handheld bottle sleeve showing an environment incorporating a collar tab illustrated in phantom lines, in which the other views of the collar tab are unornamented and further in which the remainder of the handheld bottle sleeve is as illustrated in FIGS. 1-7; and,

FIG. 9 is a top view of the handheld bottle sleeve showing an alternate environment incorporating an alternate collar tab illustrated in phantom lines, in which the other views of the collar tab are unornamented and further in which the remainder of the handheld bottle sleeve is as illustrated in FIGS. 1-7.

Features illustrated in phantom lines are intended to show a preferred environment for the handheld bottle sleeve and form no portion of the claimed invention. As illustrated, an exemplary bottle, bottle cap, zipper, zipper pull, logo tag, and ventilation hole pattern are illustrated in phantom lines and therefore form no part of the claimed invention. The handheld bottle sleeve is formed from a flexible material that can expand to accommodate a bottle of different sizes and shapes other than the shape of the particular bottle as illustrated within the handheld bottle sleeve, and therefore the bottle as illustrated depicts a preferred environment for the handheld bottle sleeve.

Primary Examiner — Catheri Oliver-Garcia

1 Claim, 6 Drawing Sheets



US D682,545 S

Page 2

U.S. PATENT DOCUMENTS

6,837,472 B1 1/2005 Beutz
D502,366 S 3/2005 Strepkoff
7,845,506 B2 12/2010 Willows et al.

D647,695 S * 11/2011 Enghard D3/229
D653,445 S * 2/2012 Enghard D3/229

* cited by examiner

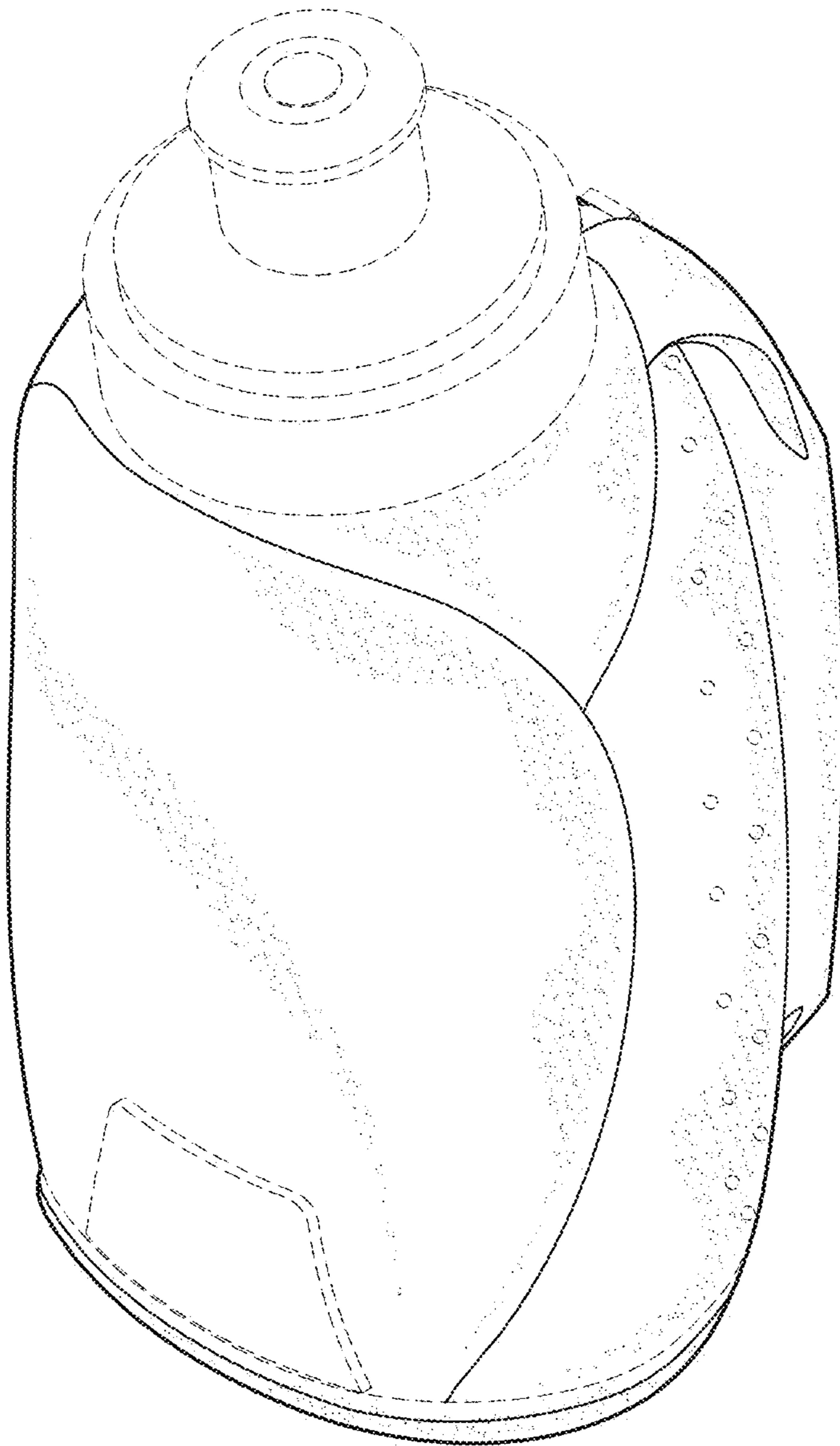


FIG.1

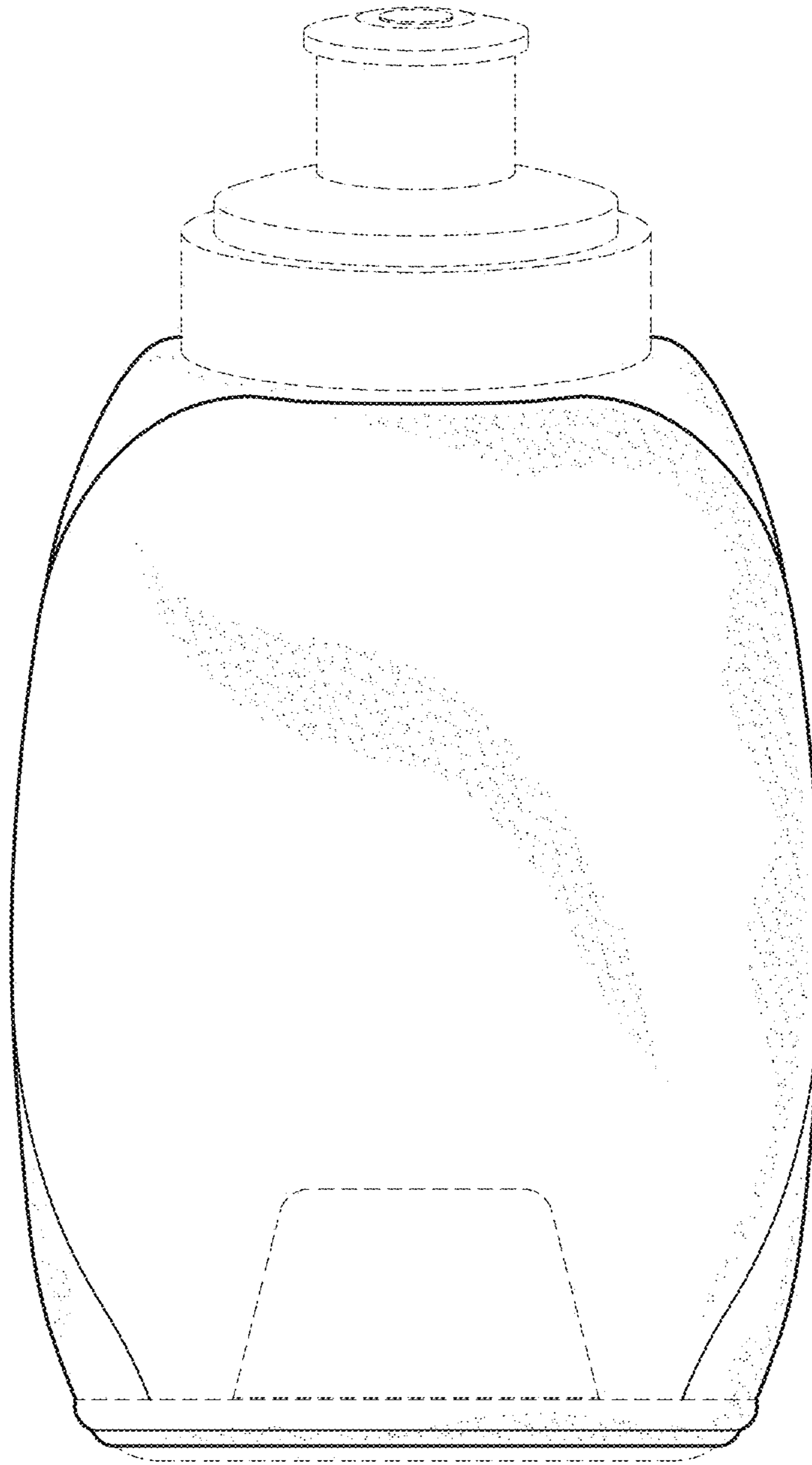


FIG. 2

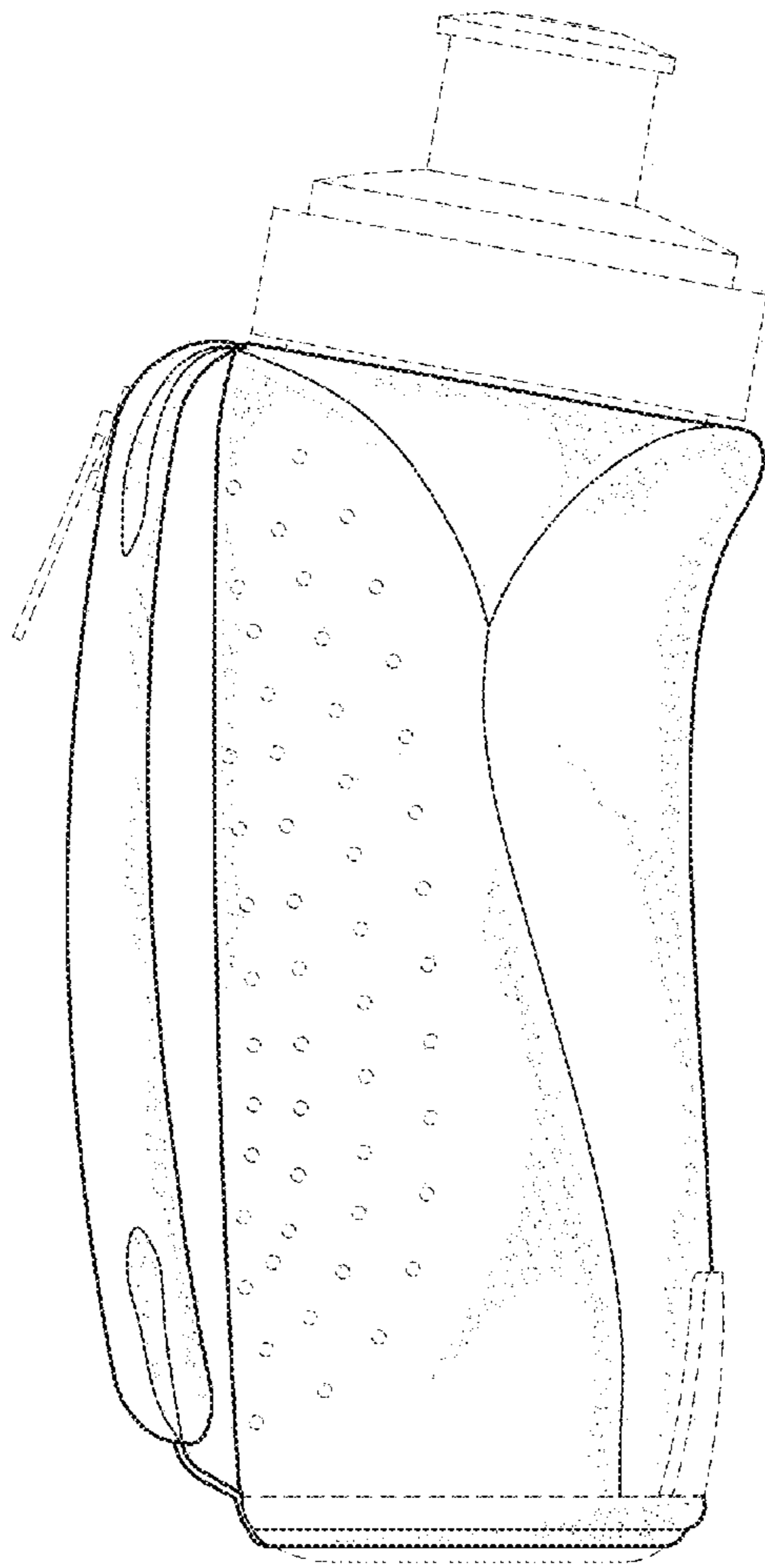


FIG. 3

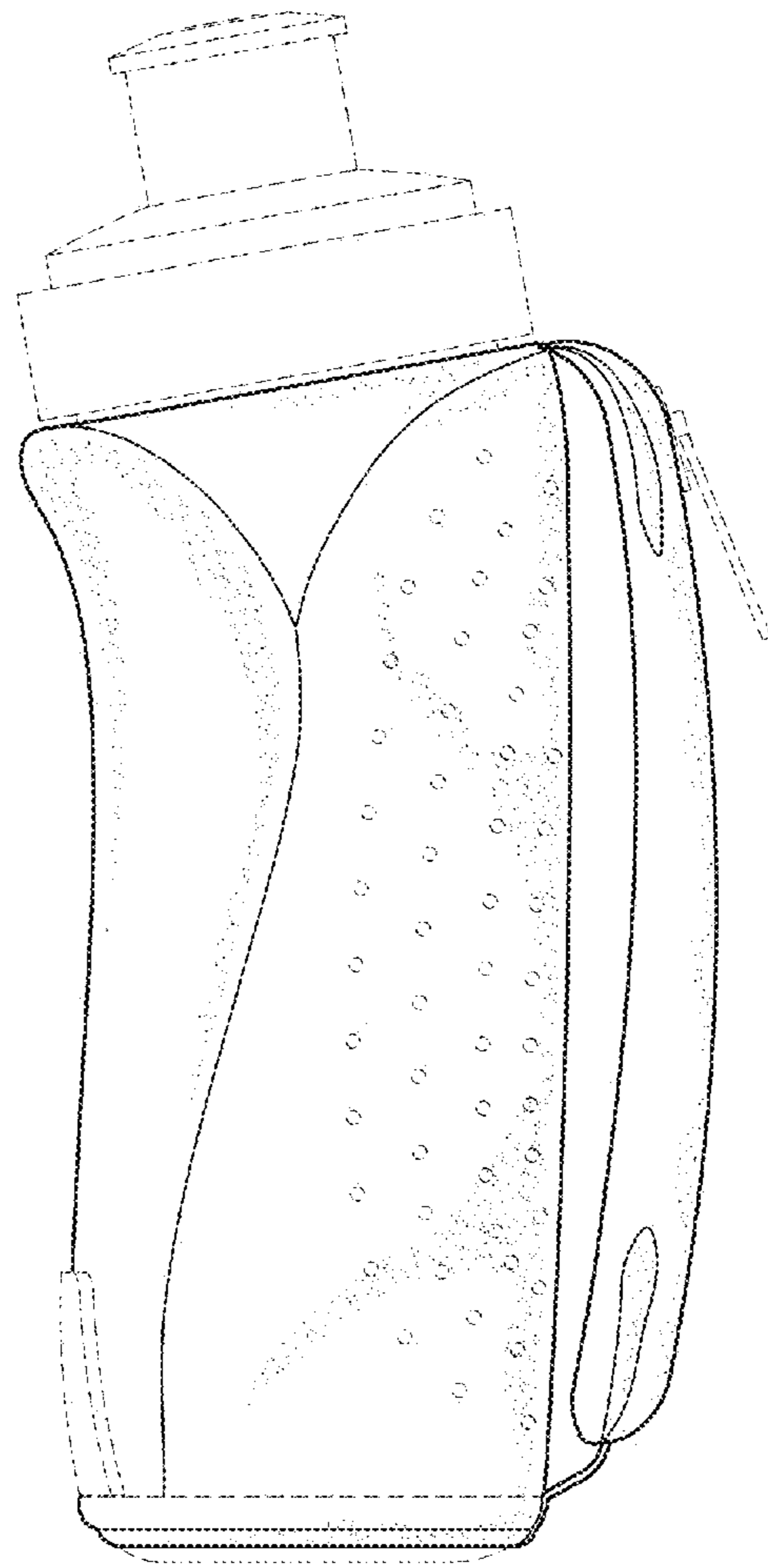


FIG. 4

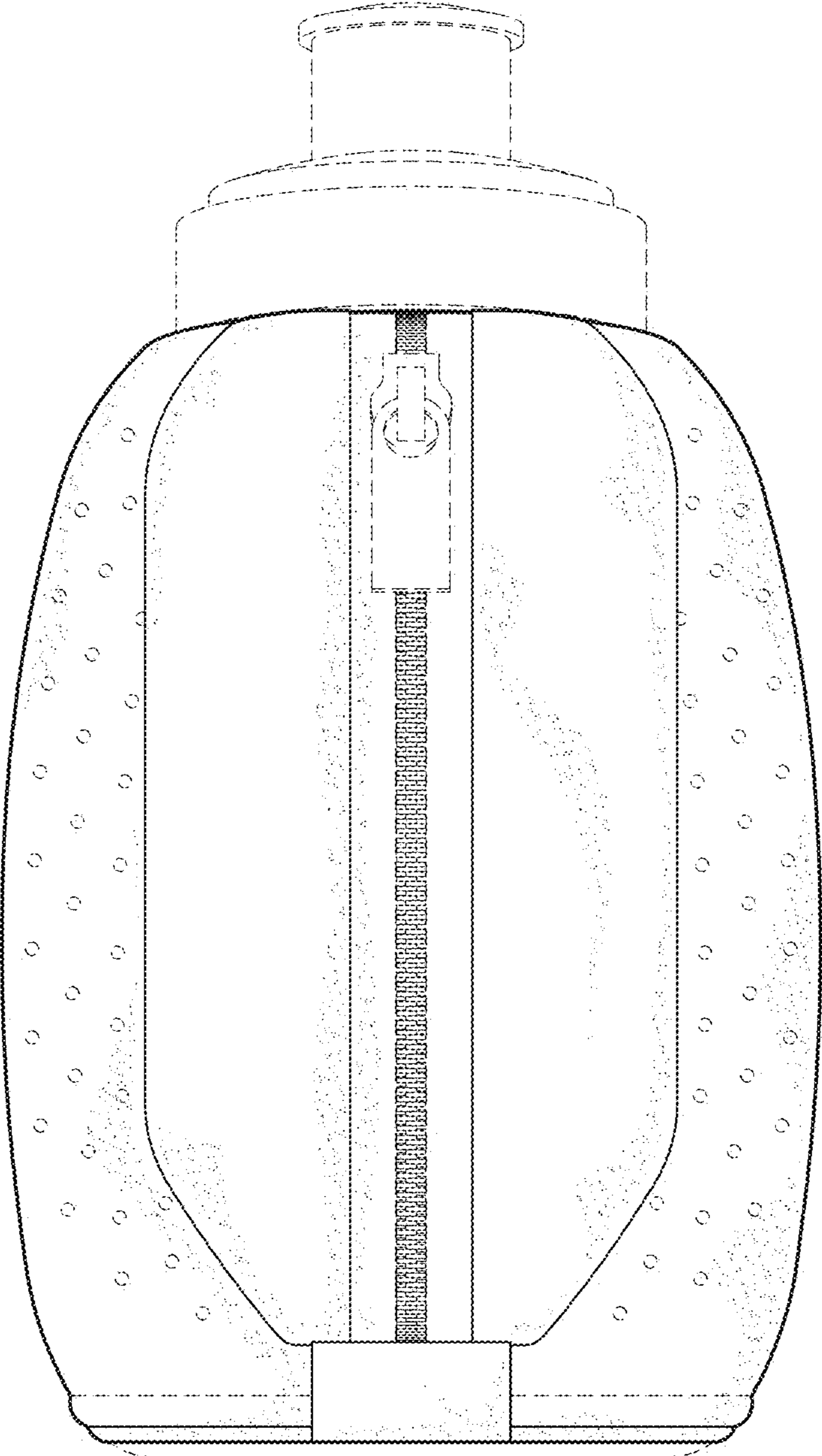


FIG. 5

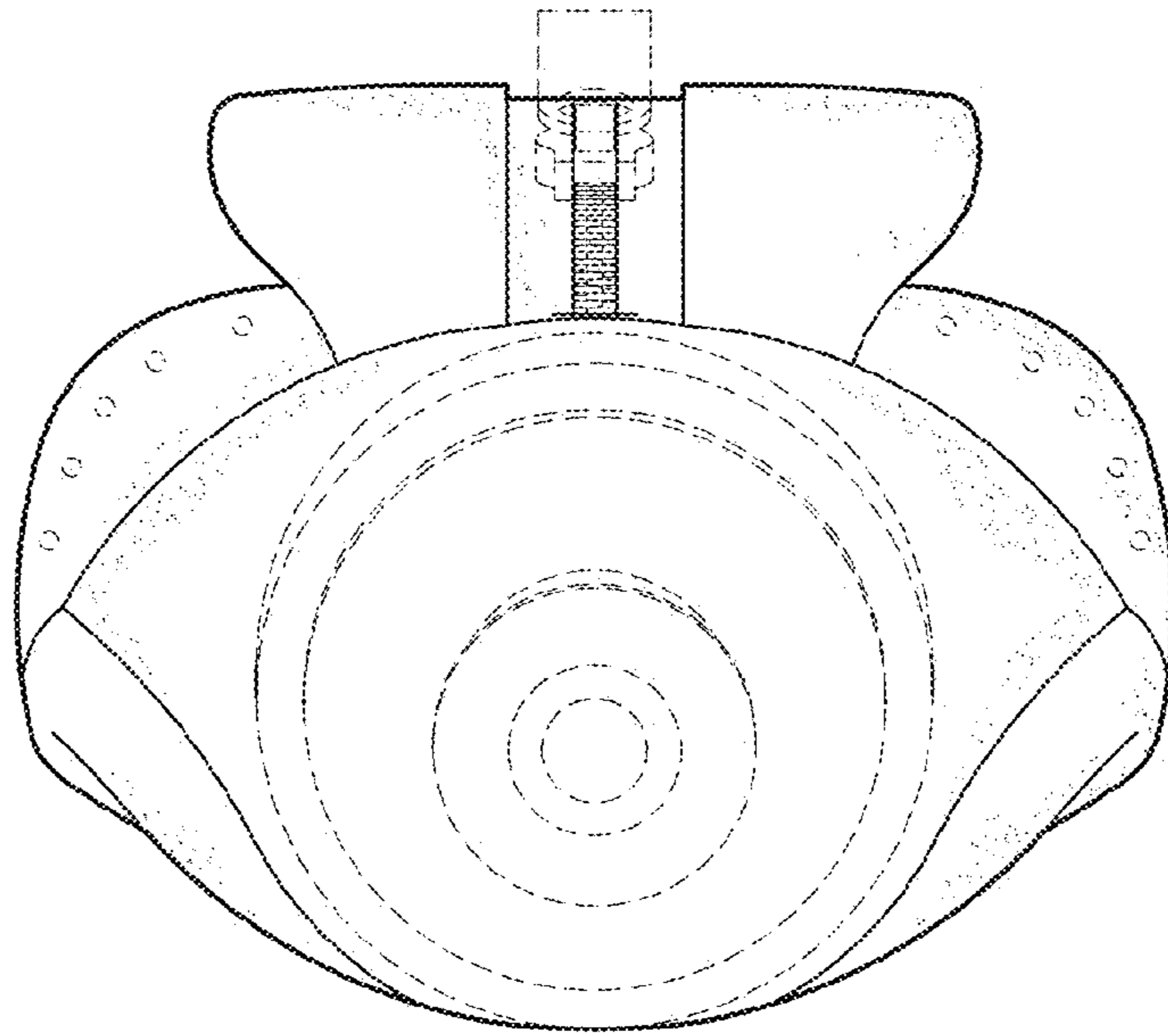


FIG. 6

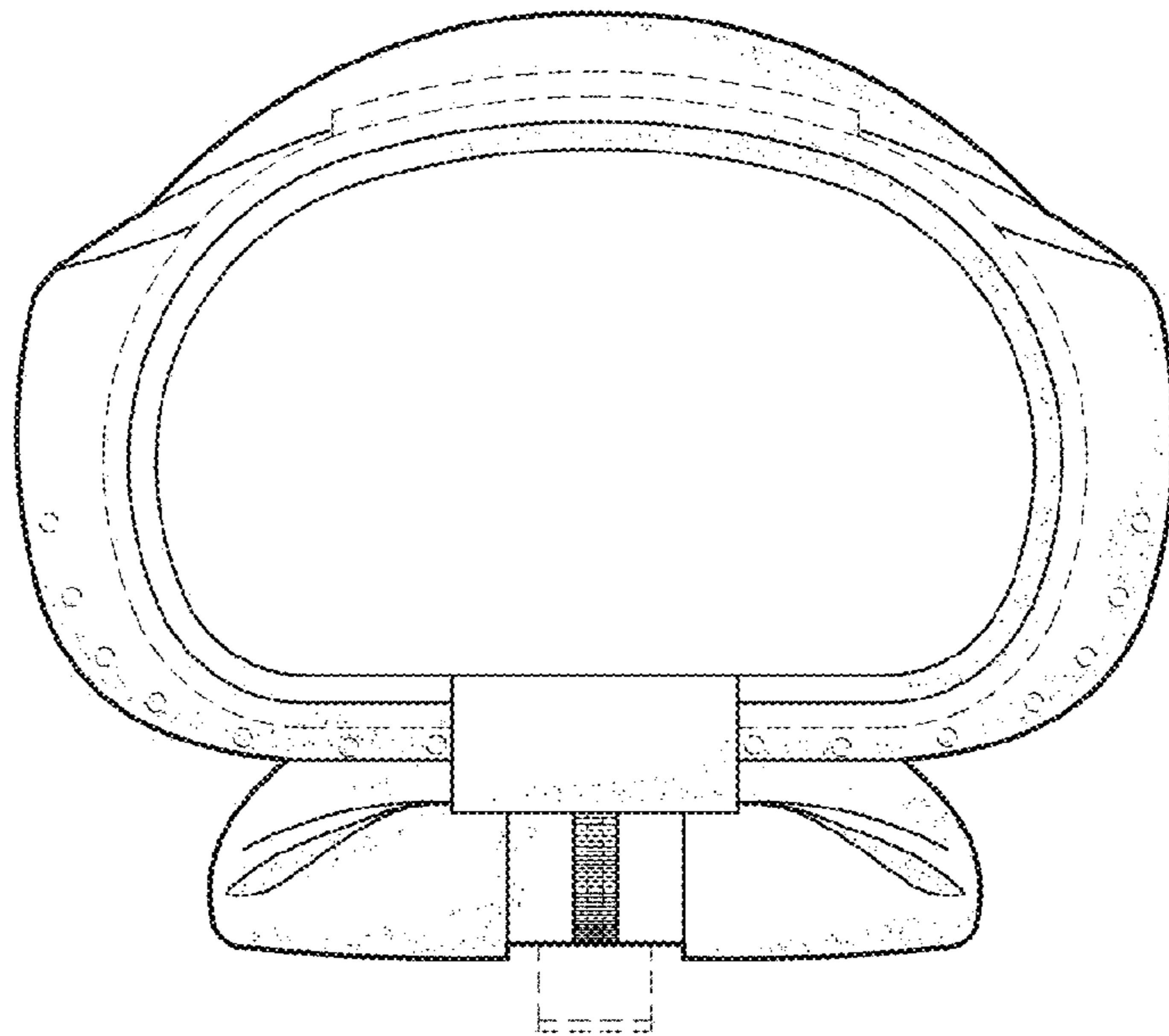


FIG. 7

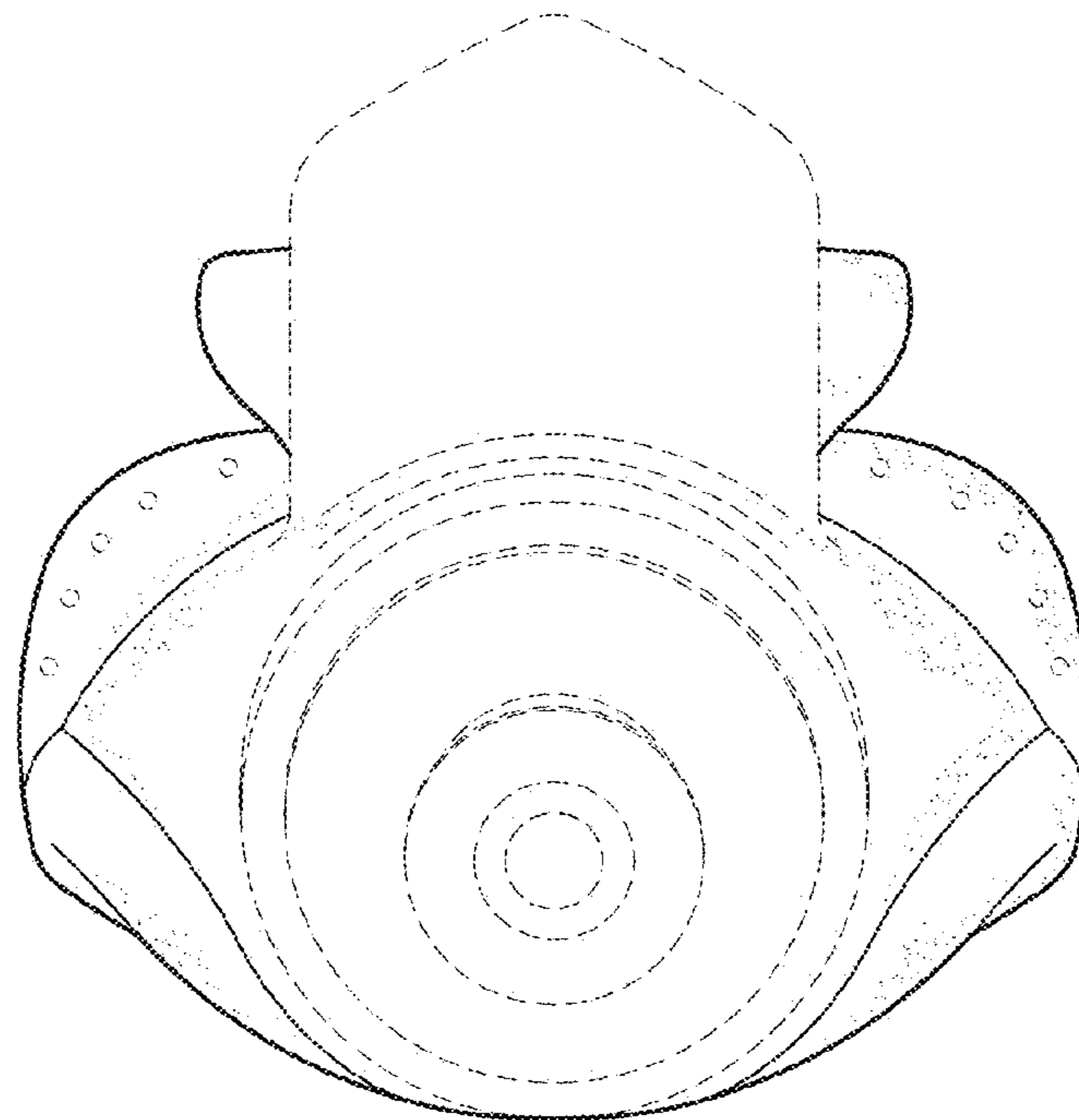


FIG. 8

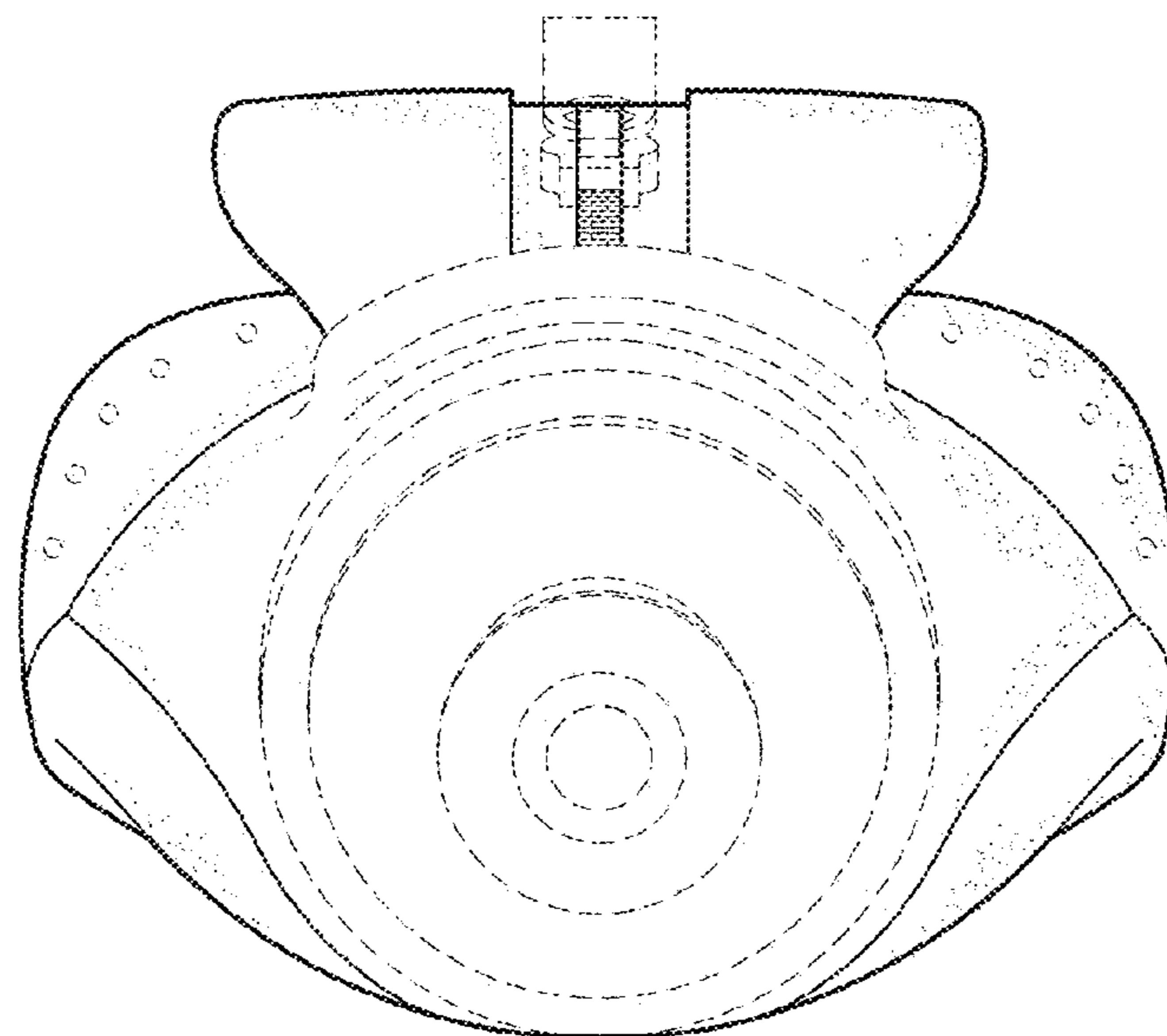


FIG. 9