



US00D682544S

(12) **United States Design Patent**
Raich

(10) **Patent No.:** **US D682,544 S**

(45) **Date of Patent:** **** May 21, 2013**

(54) **BEVERAGE CONTAINER HOLDER**

(76) Inventor: **Thomas L. Raich**, Plainwell, MI (US)

(**) Term: **14 Years**

(21) Appl. No.: **29/393,101**

(22) Filed: **May 31, 2011**

(51) **LOC (9) Cl.** **03-01**

(52) **U.S. Cl.**
USPC **D3/229**

(58) **Field of Classification Search** D3/229,
D3/215, 224, 226; D7/608, 619.1, 619.2;
224/148.2, 148.6, 148.7, 148.4; 248/205.2,
248/311.2

See application file for complete search history.

(56) **References Cited**

U.S. PATENT DOCUMENTS

D227,043 S * 5/1973 Van Den Berg D3/229
5,147,079 A * 9/1992 Heather 224/148.6
D343,293 S * 1/1994 Montgomery D3/229
5,407,110 A * 4/1995 Marsh, Jr. 224/148.6

D378,022 S * 2/1997 Chen D3/229
5,622,346 A * 4/1997 Story, Jr. 248/311.2
D410,335 S * 6/1999 Raich
D419,392 S * 1/2000 Schlebusch D7/619.1

* cited by examiner

Primary Examiner — Catheri Oliver-Garcia

(74) *Attorney, Agent, or Firm* — Paparella & Associates, PC;
Joseph A. Paparella

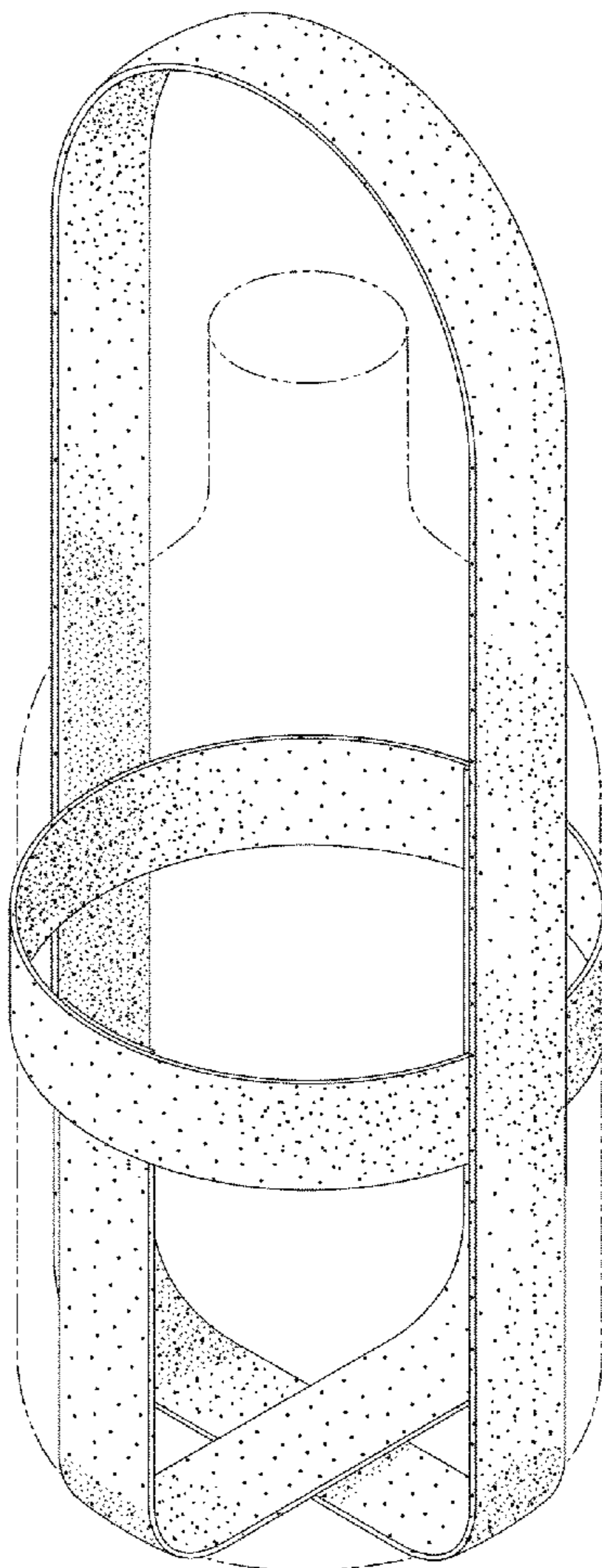
(57) **CLAIM**

The ornamental design for a beverage container holder, as shown.

DESCRIPTION

FIG. 1 is a perspective view of the beverage container holder;
FIG. 2 is a front view thereof;
FIG. 3 is a rear view thereof;
FIG. 4 is a left side view thereof;
FIG. 5 is a right side view thereof;
FIG. 6 is a top view thereof; and,
FIG. 7 is a bottom view thereof.

1 Claim, 4 Drawing Sheets



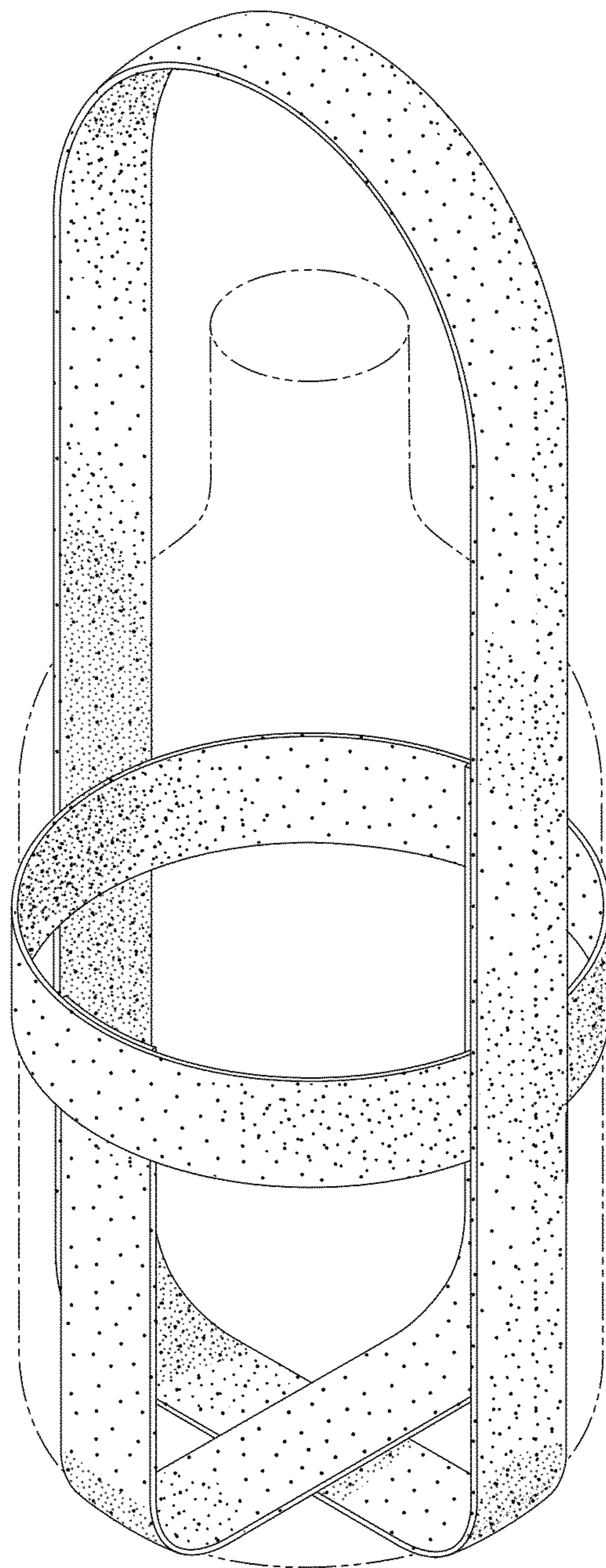


Fig. 1

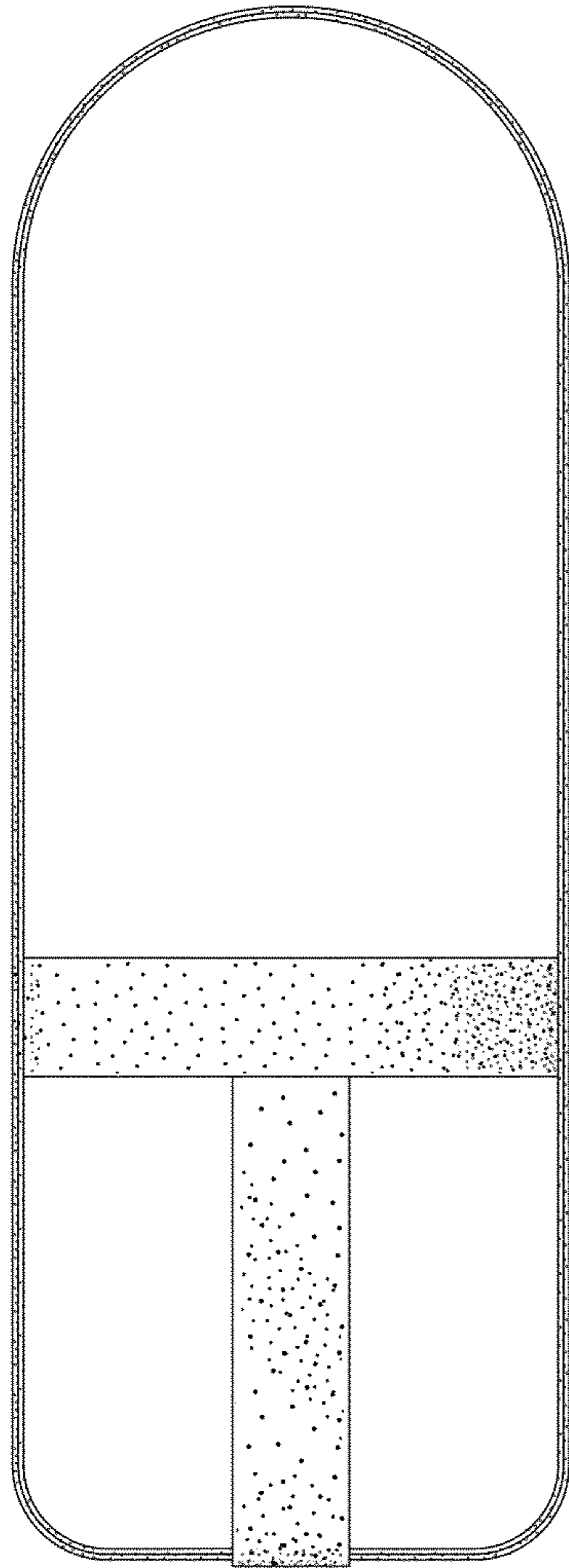


Fig. 2

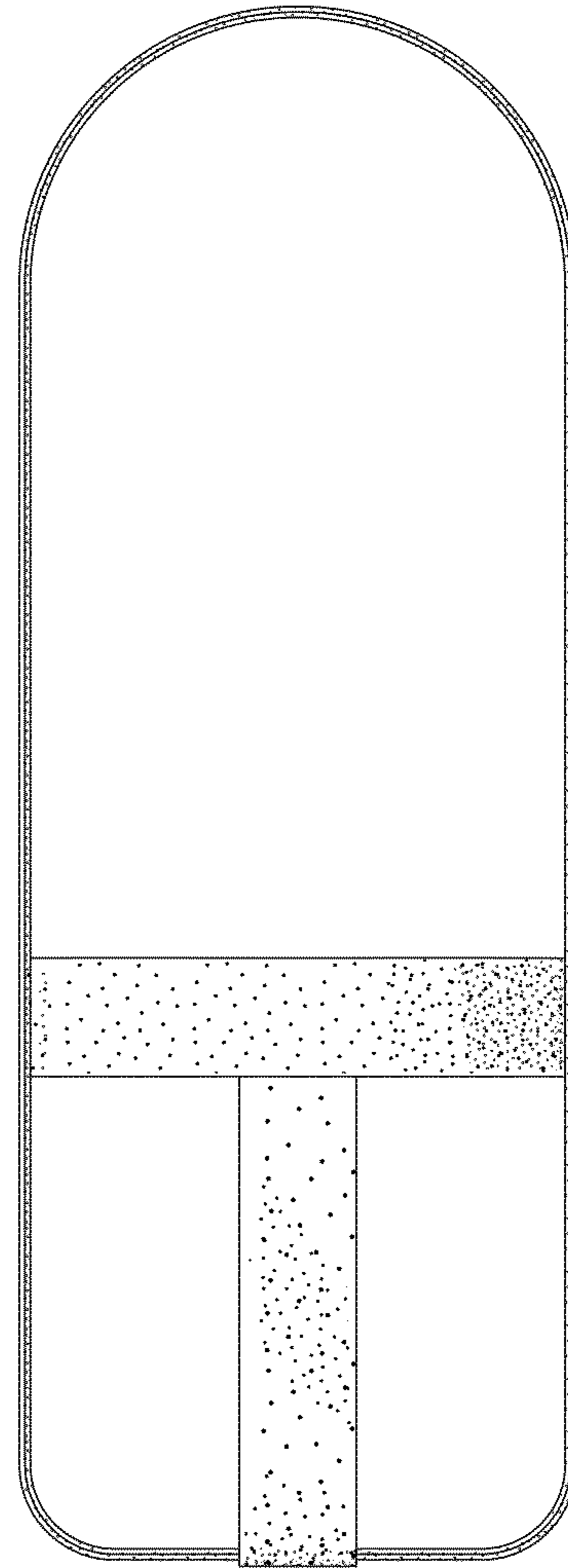


Fig. 3

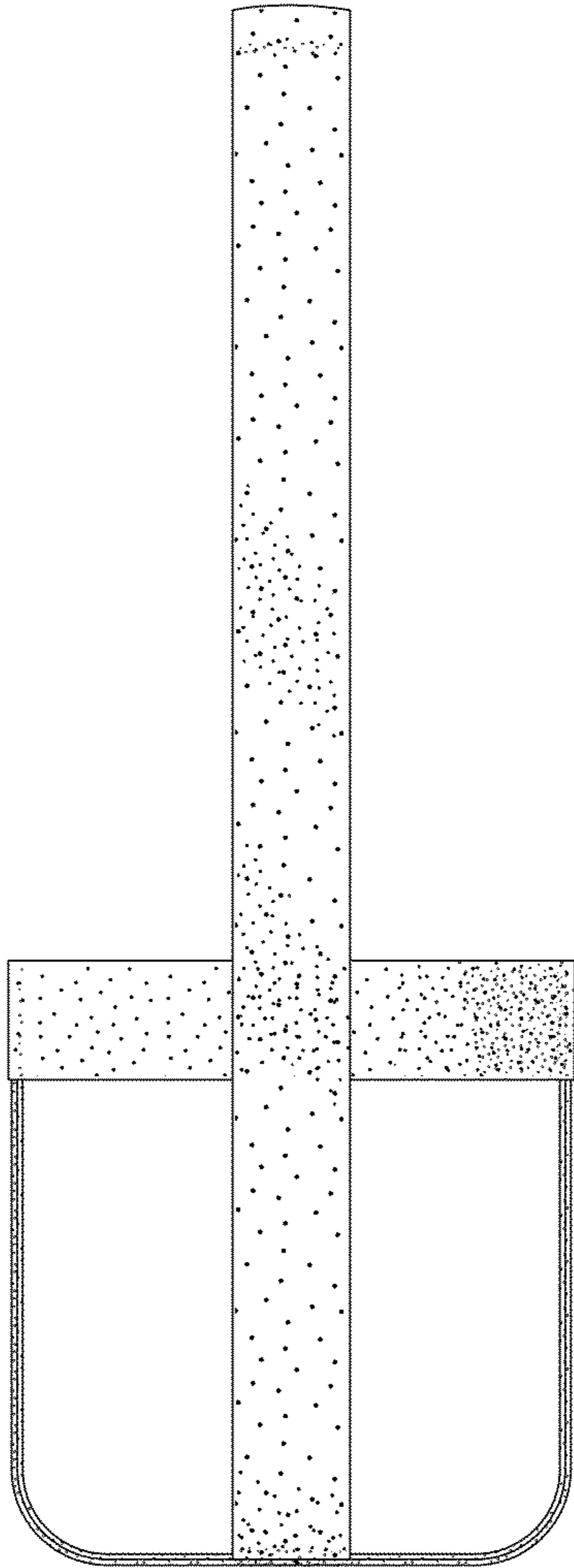


Fig. 4

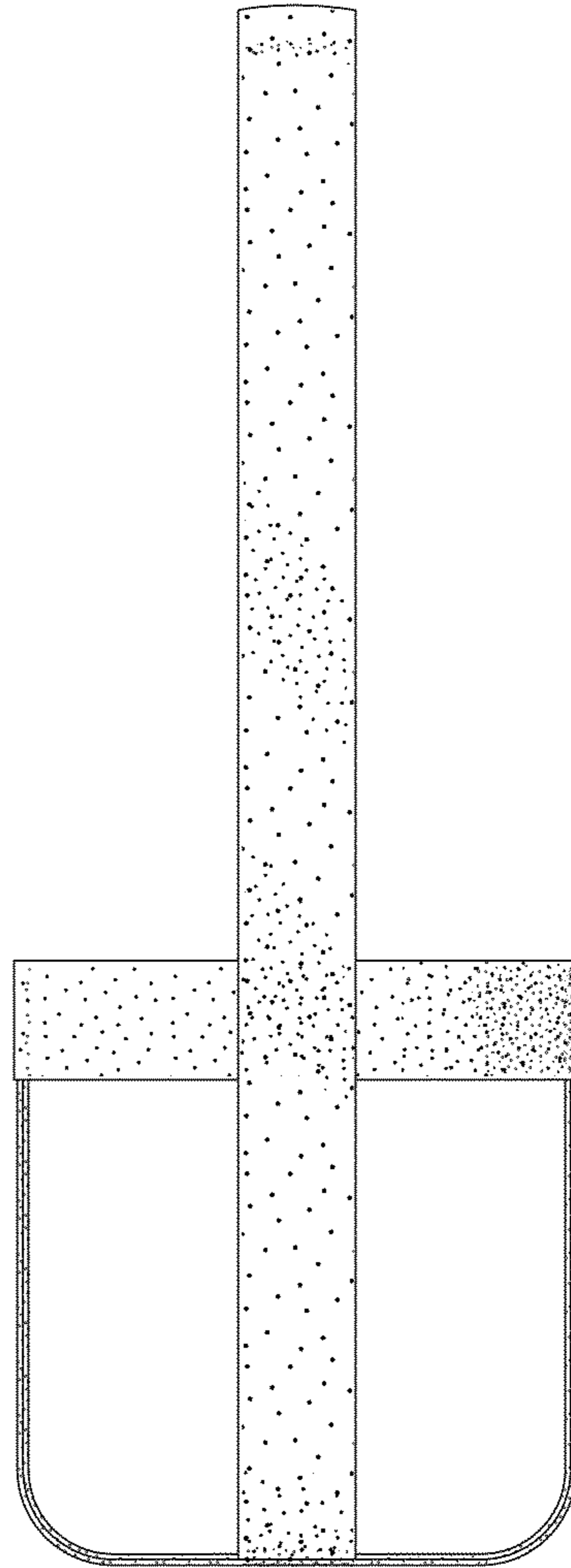


Fig. 5

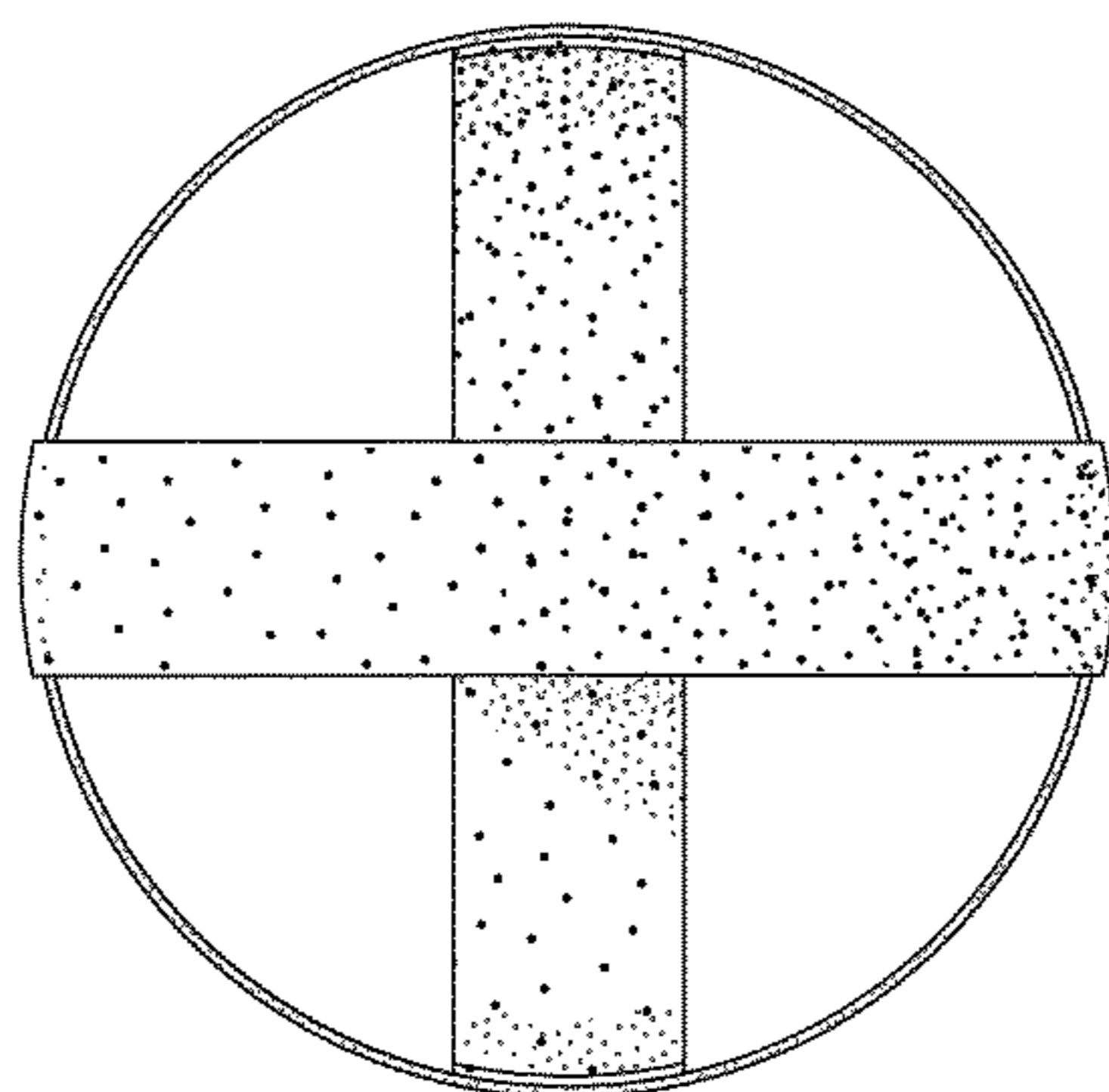


Fig. 6

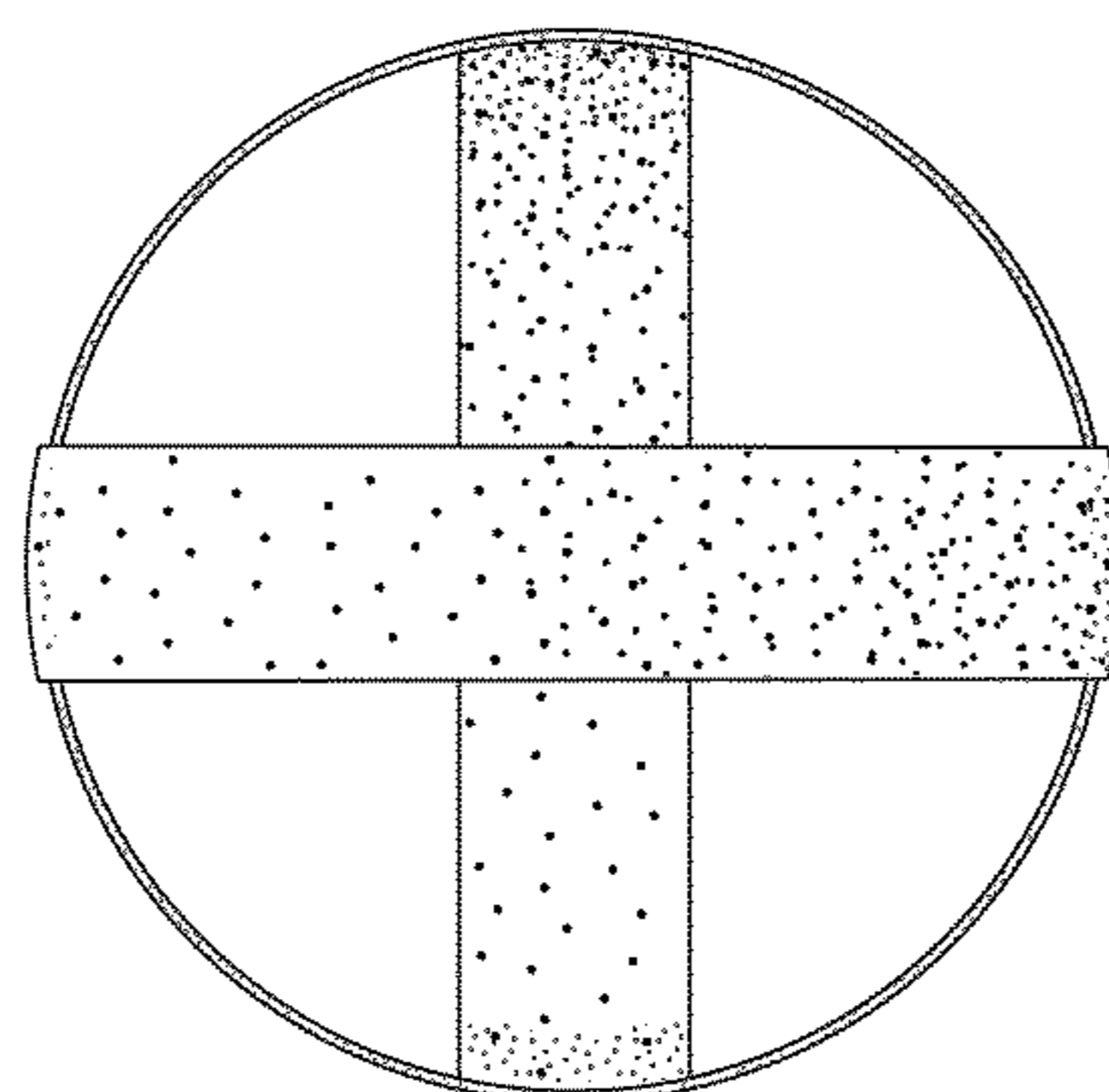


Fig. 7