



US00D682542S

(12) **United States Design Patent**  
**Williams**

(10) **Patent No.:** **US D682,542 S**

(45) **Date of Patent:** **\*\* May 21, 2013**

(54) **WAIST BAG**

D669,682 S \* 10/2012 Crifasi ..... D3/226

(76) **Inventor:** **Tracy M. Williams**, Swampscott, MA  
(US)

\* cited by examiner

*Primary Examiner* — Catheri Oliver-Garcia

(\*\*) **Term:** **14 Years**

(74) *Attorney, Agent, or Firm* — Daniel N. Smith

(21) **Appl. No.:** **29/427,668**

(22) **Filed:** **Jul. 20, 2012**

(51) **LOC (9) Cl.** ..... **03-01**

(52) **U.S. Cl.**  
USPC ..... **D3/226**

(58) **Field of Classification Search**  
USPC ..... D3/226, 215, 218–219, 224, 228,  
D3/212, 232–233, 247–249, 221; 150/114,  
150/131, 152; 224/240–241, 245, 251, 274,  
224/664, 667, 669, 676–677, 934; 383/63,  
383/111, 113

See application file for complete search history.

(56) **References Cited**

**U.S. PATENT DOCUMENTS**

D596,395 S \* 7/2009 Cutler ..... D3/226  
D624,308 S \* 9/2010 Crifasi ..... D3/226  
D658,871 S \* 5/2012 Voit ..... D3/226

(57) **CLAIM**

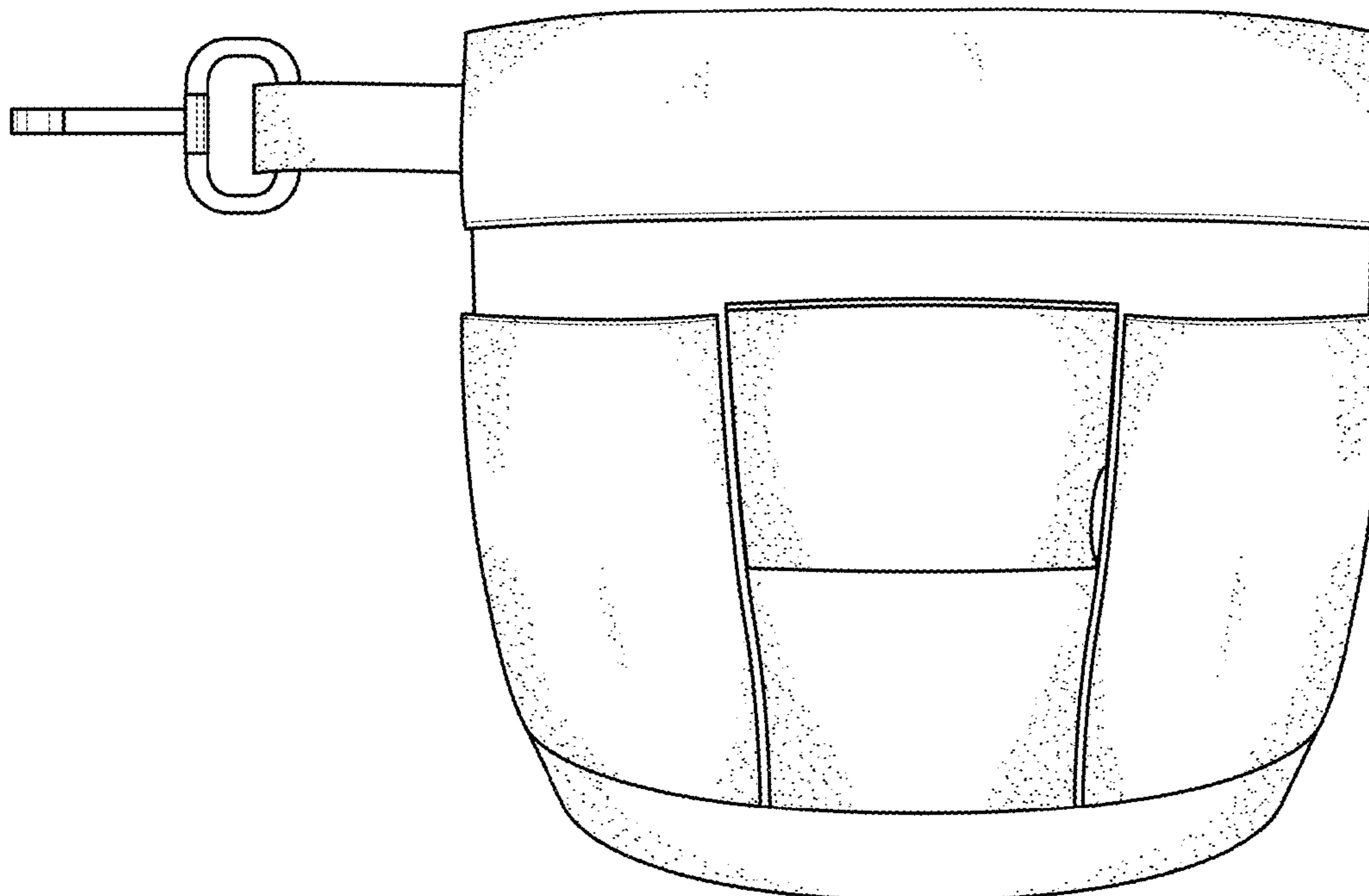
The ornamental design for a waist bag, as shown and described.

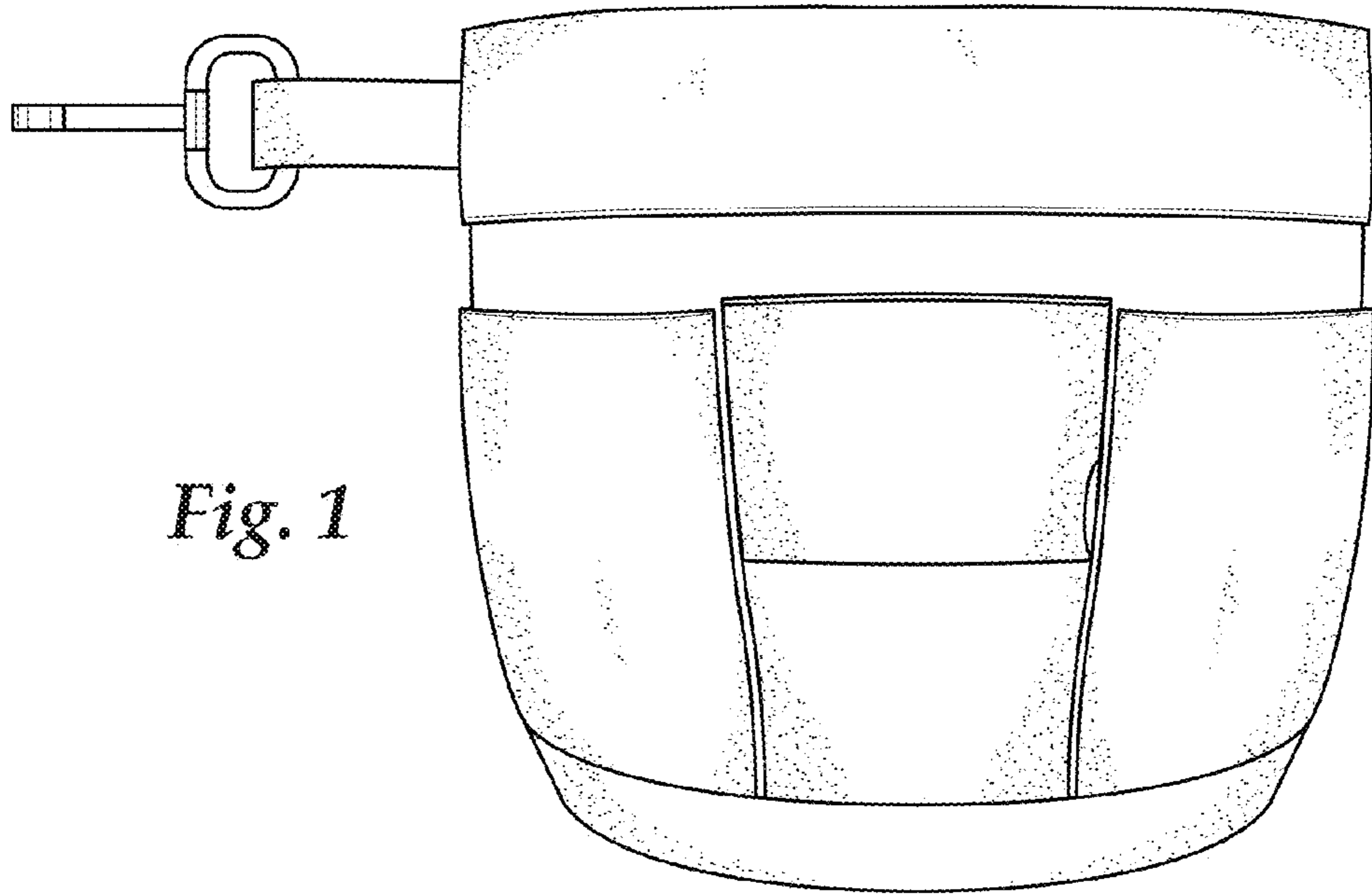
**DESCRIPTION**

FIG. 1 is a front view of a waist bag showing my new design; FIG. 2 is a rear view of the waist bag; FIG. 3 is a top view of the waist bag; FIG. 4 is a bottom view of the waist bag; FIG. 5 is a right side view of the waist bag; FIG. 6 is a left side view of the waist bag; and, FIG. 7 is rear view of the waist bag with an attached waist strap.

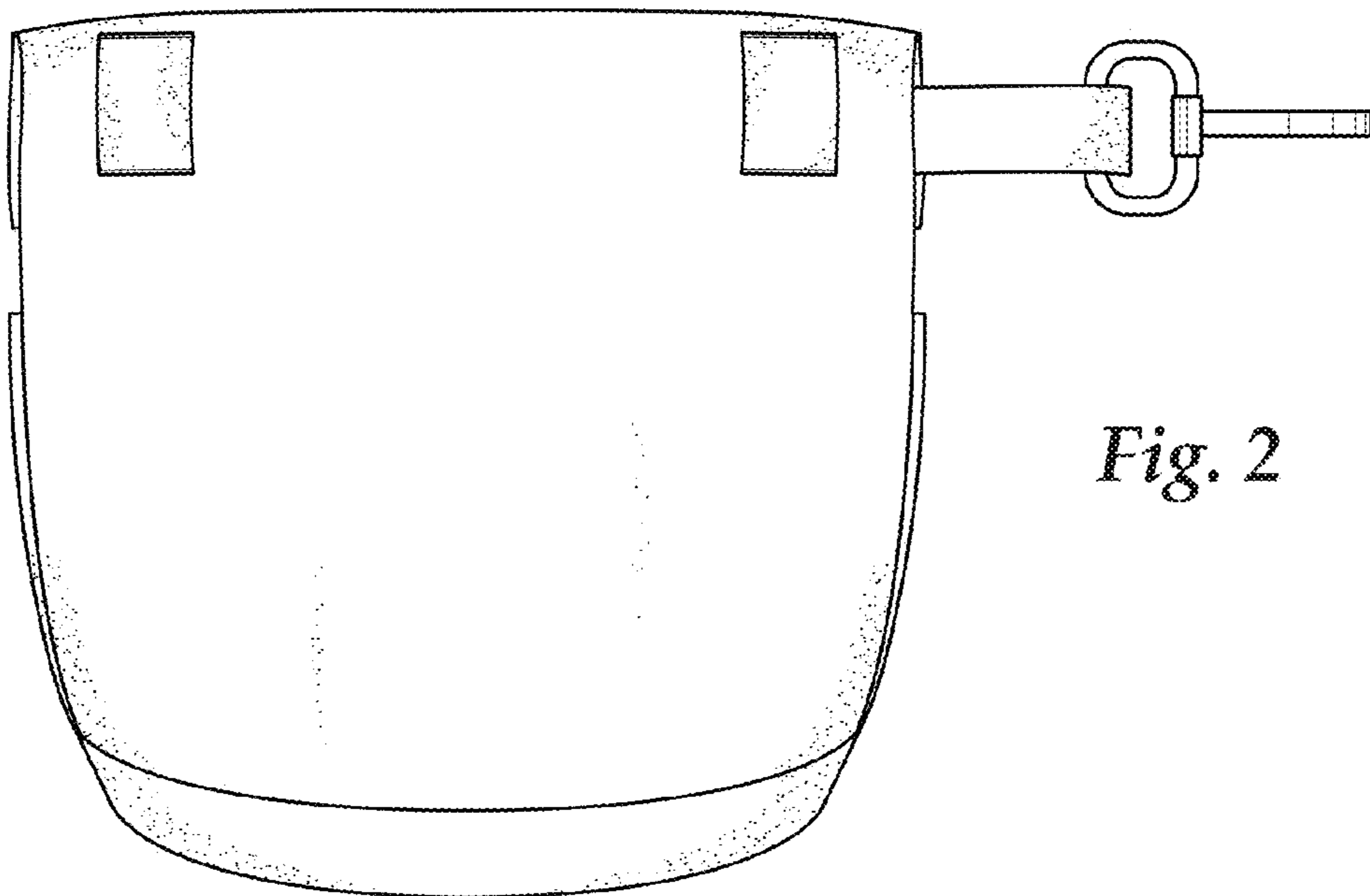
The broken line showing of environment in the drawings is included for the purpose of illustrating only and forms no part of the claimed design.

**1 Claim, 4 Drawing Sheets**

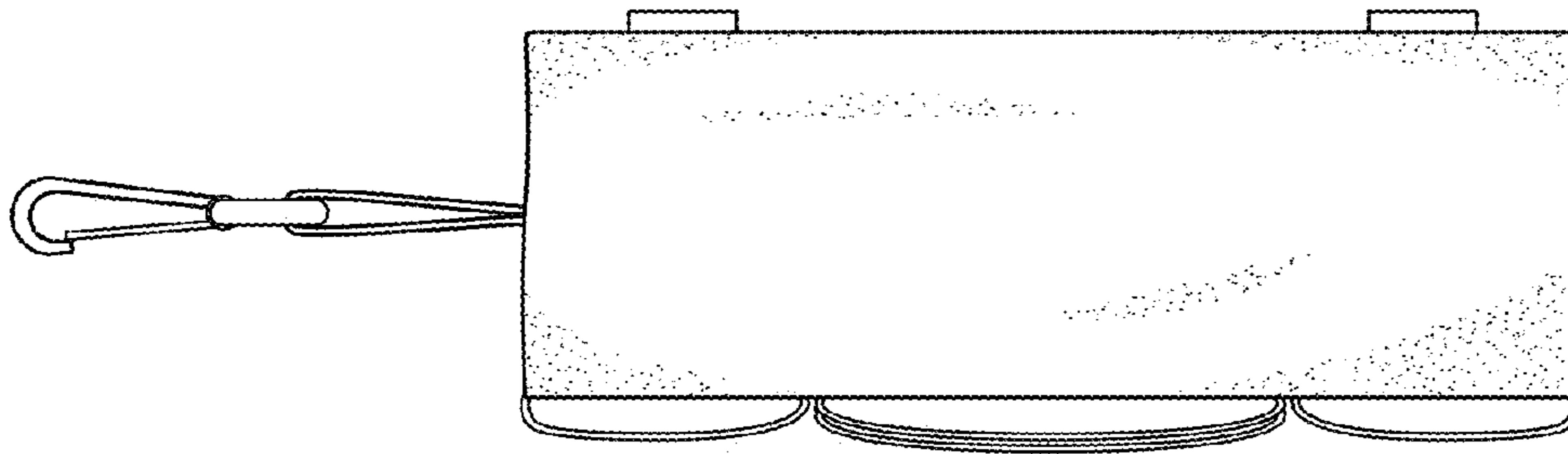




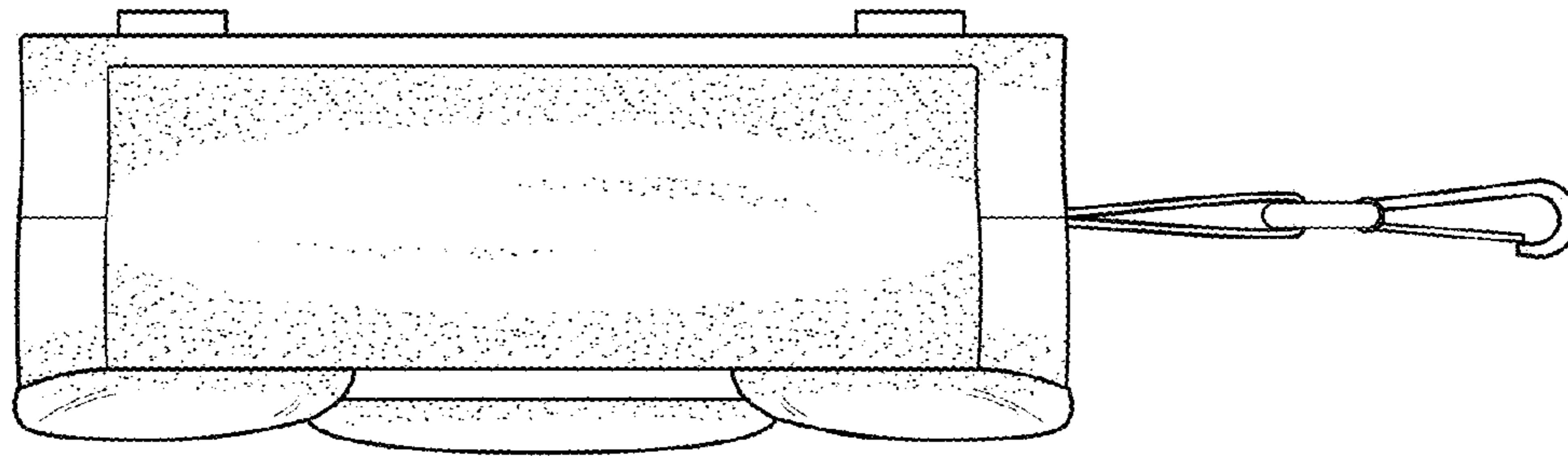
*Fig. 1*



*Fig. 2*

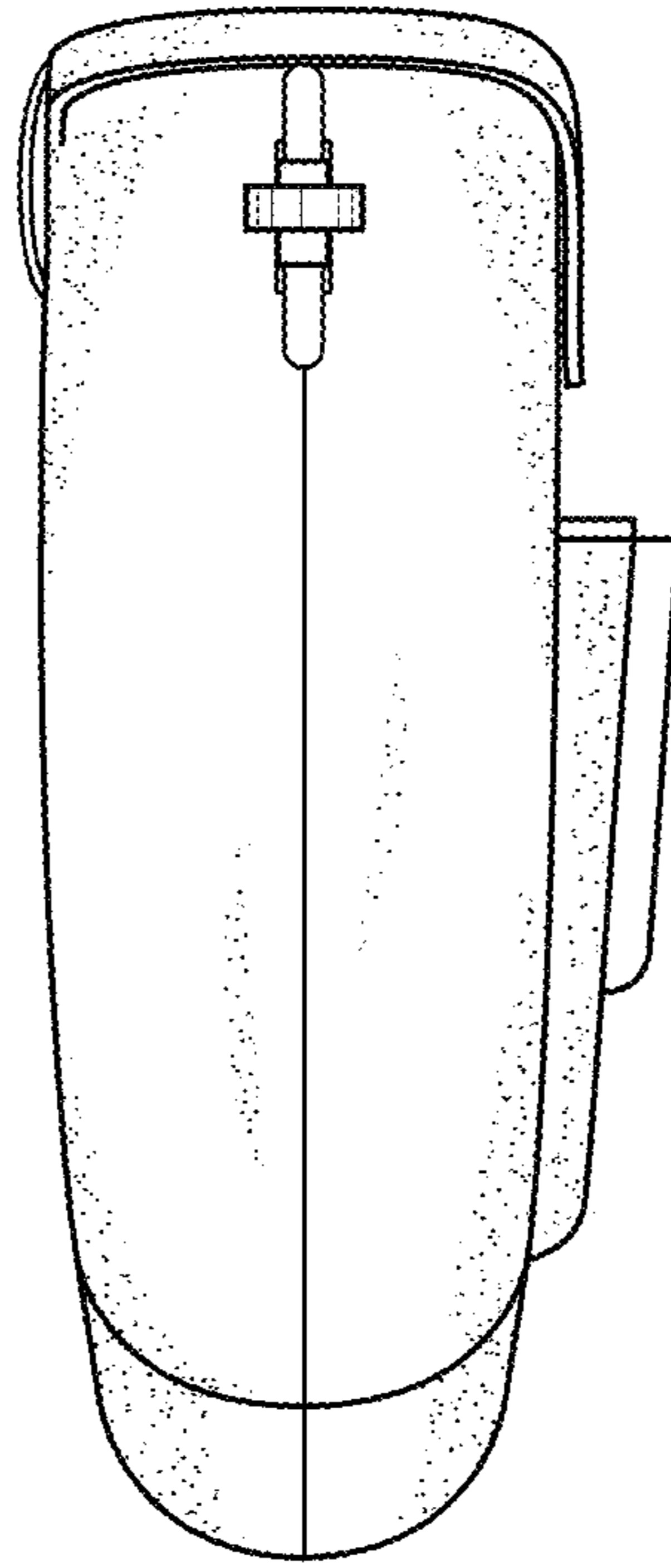


*Fig. 3*

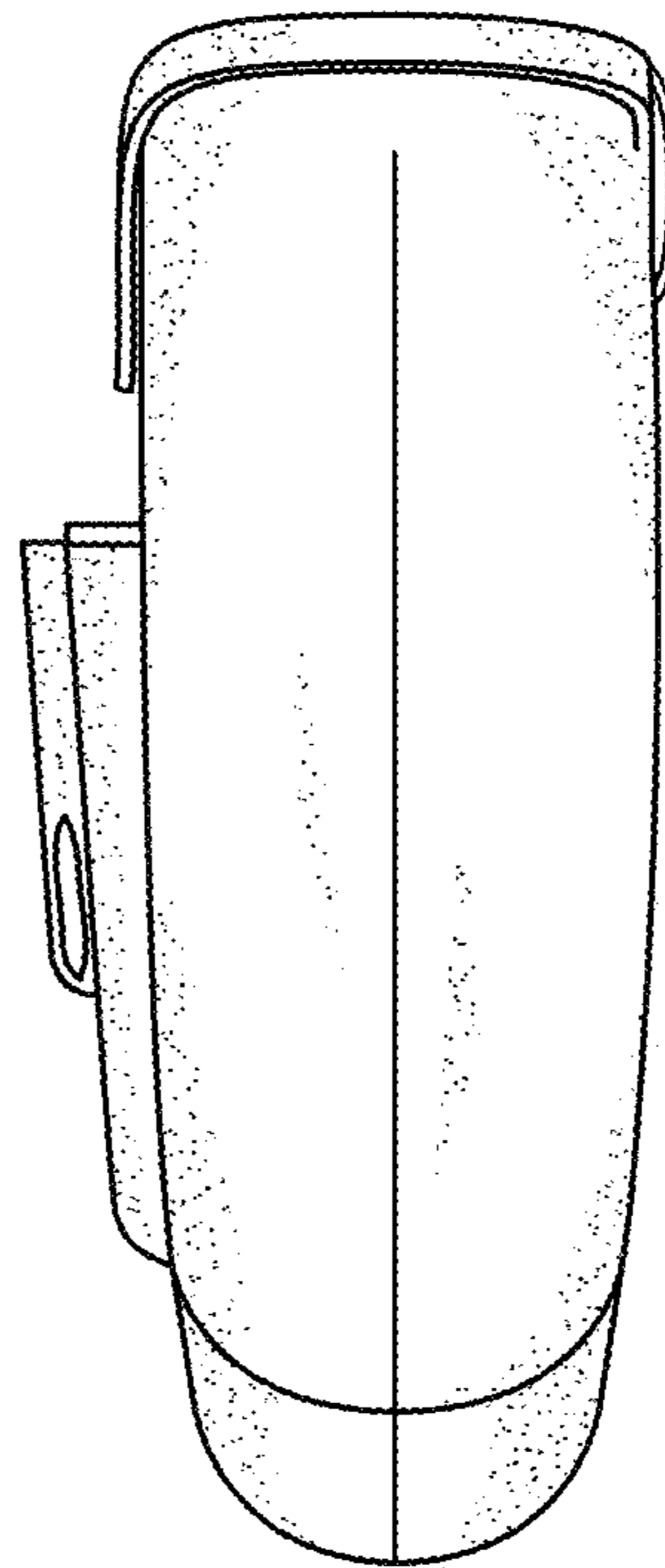


*Fig. 4*

*Fig. 5*



*Fig. 6*



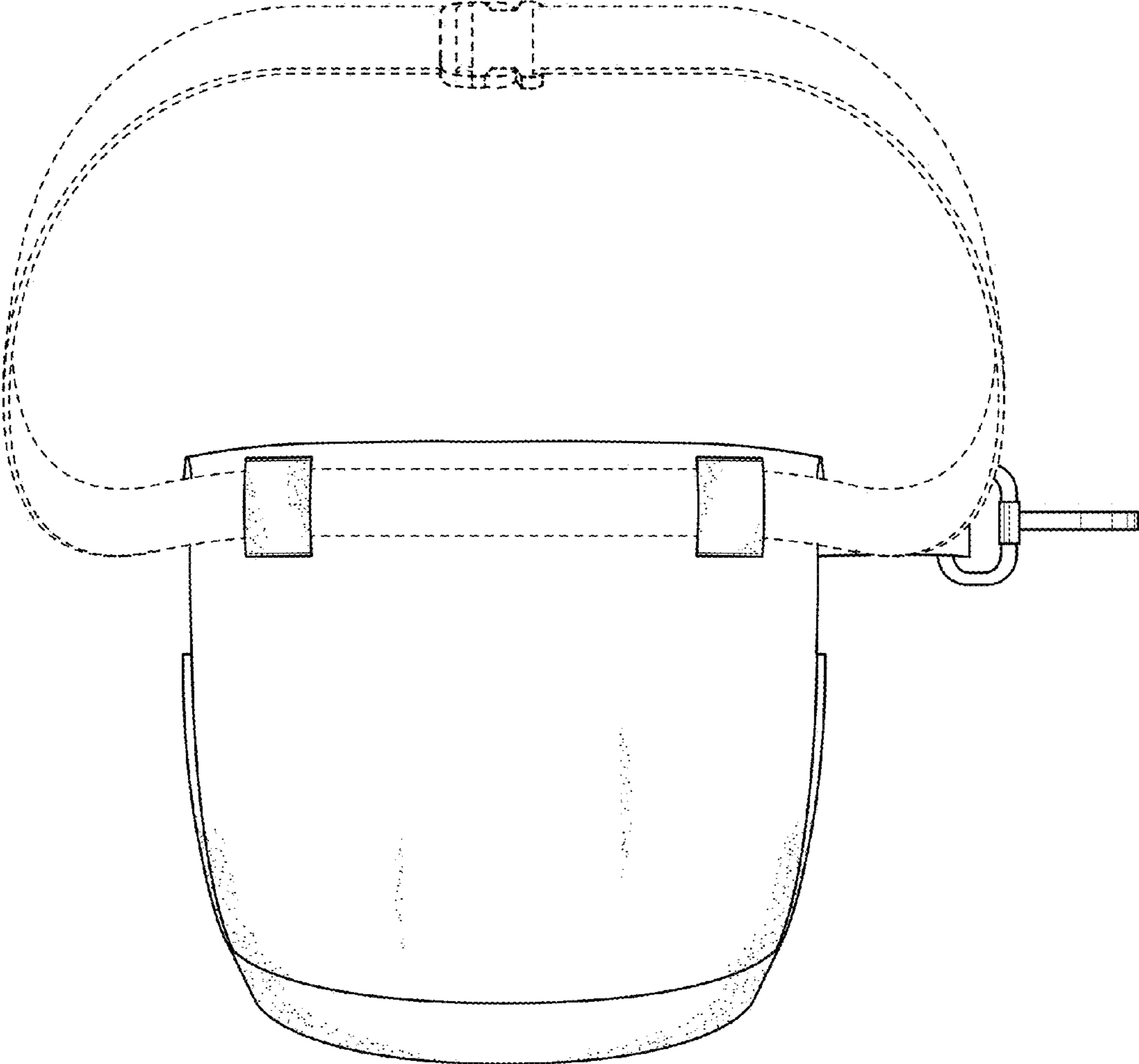


Fig. 7