



US00D682540S

(12) **United States Design Patent**  
**Phillips et al.**

(10) **Patent No.:** **US D682,540 S**

(45) **Date of Patent:** **\*\* May 21, 2013**

(54) **ELECTRONIC DEVICE HOLSTER**

(75) Inventors: **Alison Phillips**, Toronto (CA); **Caitlin Curran-Blaney**, Toronto (CA)

(73) Assignee: **Research In Motion Limited**, Waterloo, Ontario (CA)

(\*\*) Term: **14 Years**

(21) Appl. No.: **29/410,540**

(22) Filed: **Jan. 9, 2012**

(51) **LOC (9) Cl.** ..... **03-01**

(52) **U.S. Cl.**  
USPC ..... **D3/218**

(58) **Field of Classification Search** ..... D3/218,  
D3/215, 219, 201, 226, 269, 272-273, 265,  
D3/247-249; 206/305, 320; 455/90, 92,  
455/42; 379/455, 575.1-575.8; 224/680-683,  
224/901, 250, 666, 674-677; D14/496, 138,  
D14/156, 250-251, 253

See application file for complete search history.

(56) **References Cited**

U.S. PATENT DOCUMENTS

D382,996 S \* 9/1997 Kopel ..... D3/218

D453,417 S \* 2/2002 Badillo et al. .... D3/218  
D534,720 S \* 1/2007 Infanti et al. .... D3/218  
D587,896 S \* 3/2009 Aipa ..... D3/201  
D609,463 S \* 2/2010 Bullen ..... D3/218  
D609,900 S \* 2/2010 Behar et al. .... D3/201

\* cited by examiner

*Primary Examiner* — Catheri Oliver-Garcia

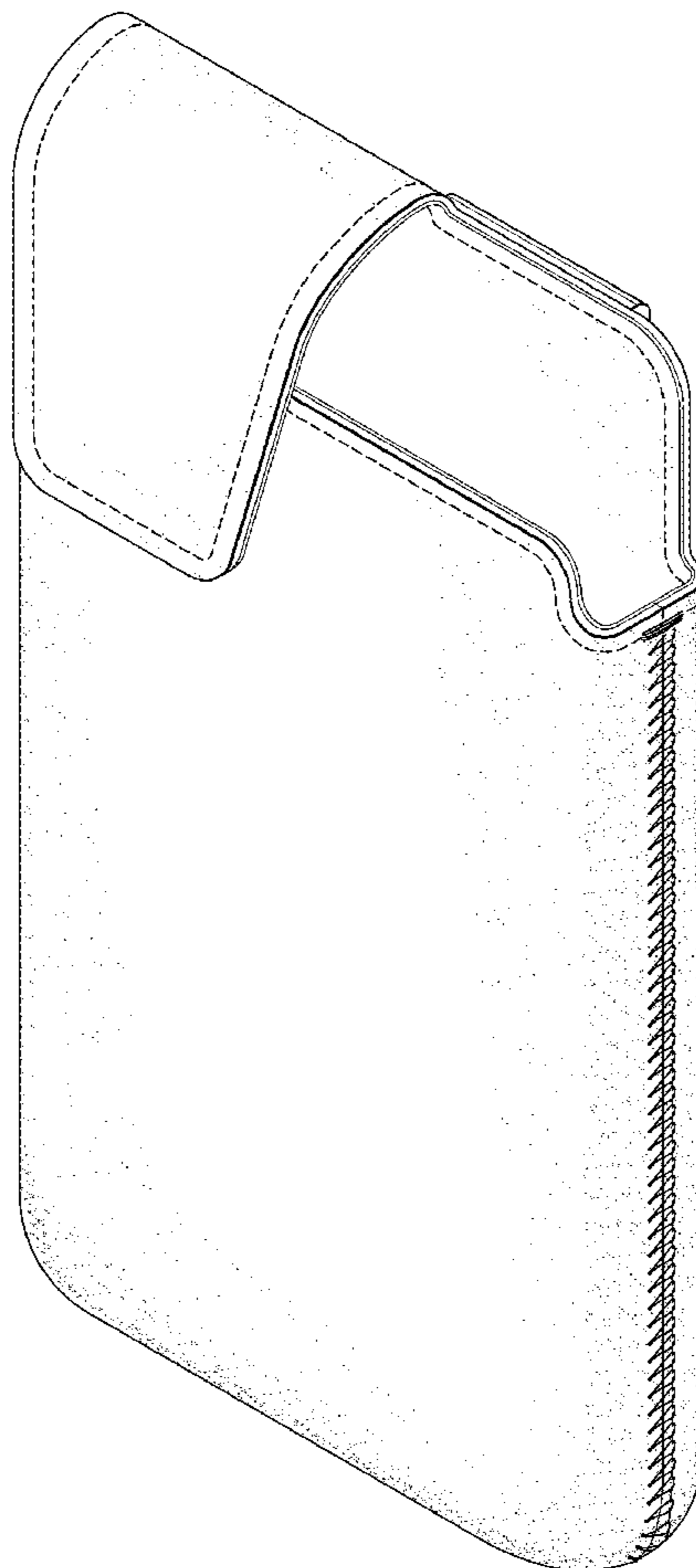
(57) **CLAIM**

We claim the ornamental design for an electronic device holster, as shown and described.

**DESCRIPTION**

FIG. 1 is a front perspective view of an electronic device holster;  
FIG. 2 is a front elevational view of the electronic device holster;  
FIG. 3 is a rear elevational view thereof;  
FIG. 4 is a left elevational view thereof;  
FIG. 5 is a right elevational view thereof;  
FIG. 6 is a top plan view thereof; and,  
FIG. 7 is a bottom plan view thereof.

**1 Claim, 5 Drawing Sheets**



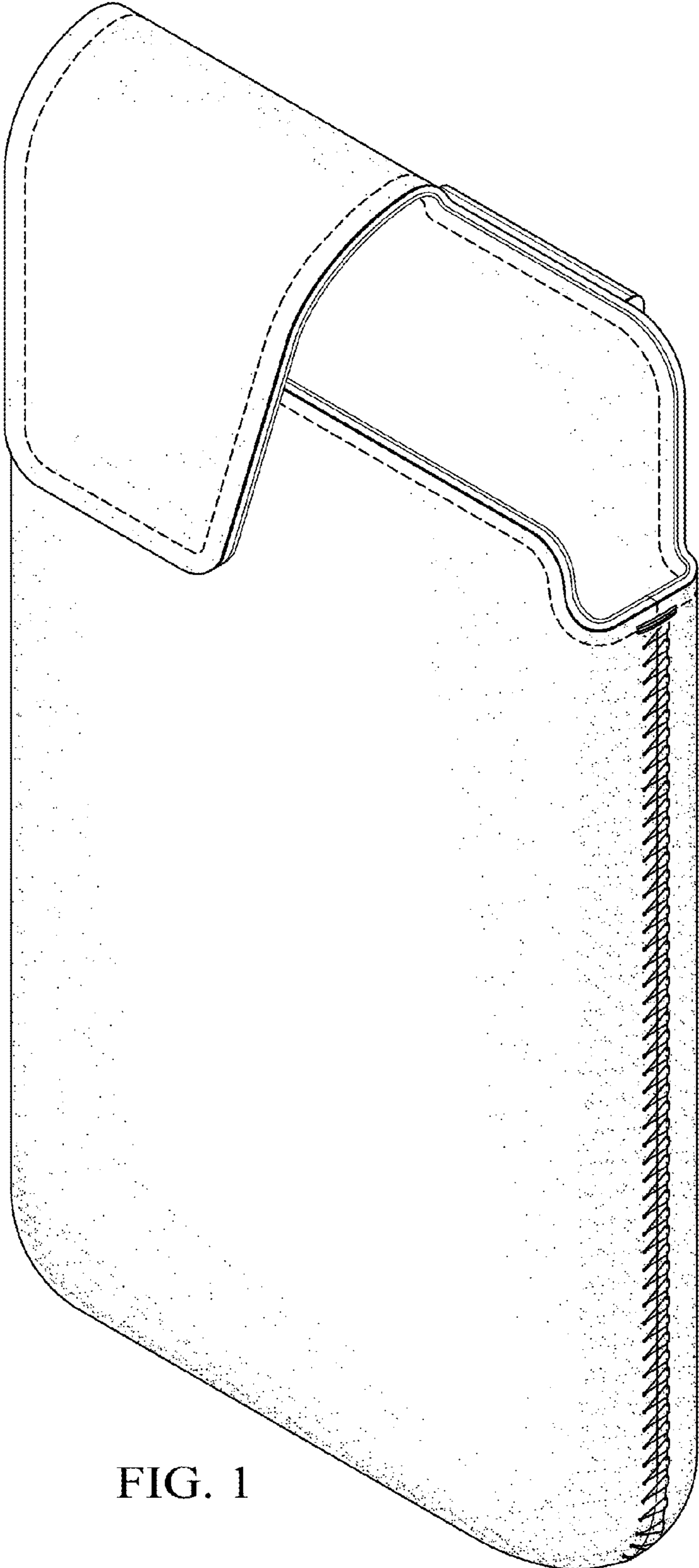


FIG. 1

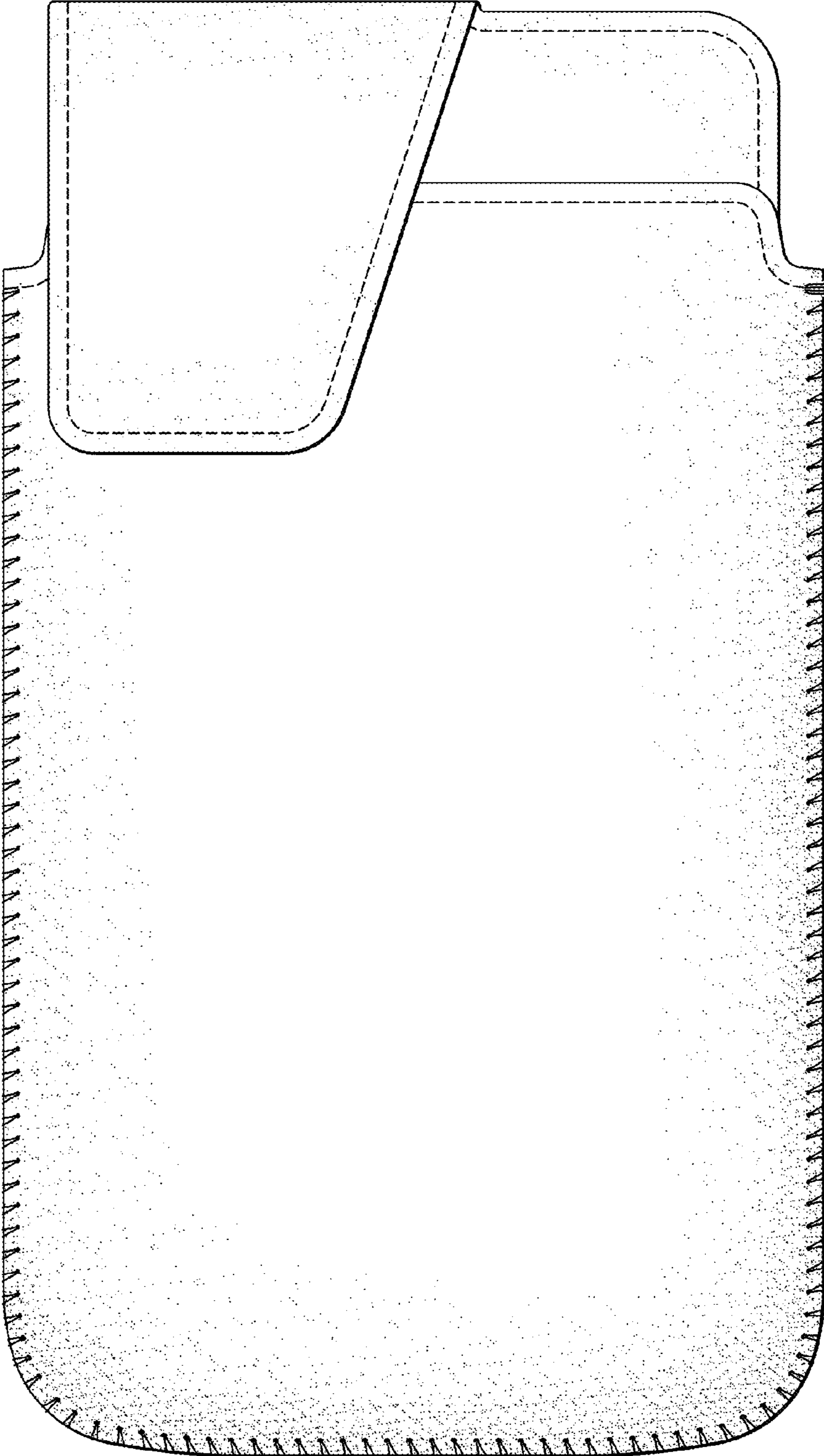


FIG. 2

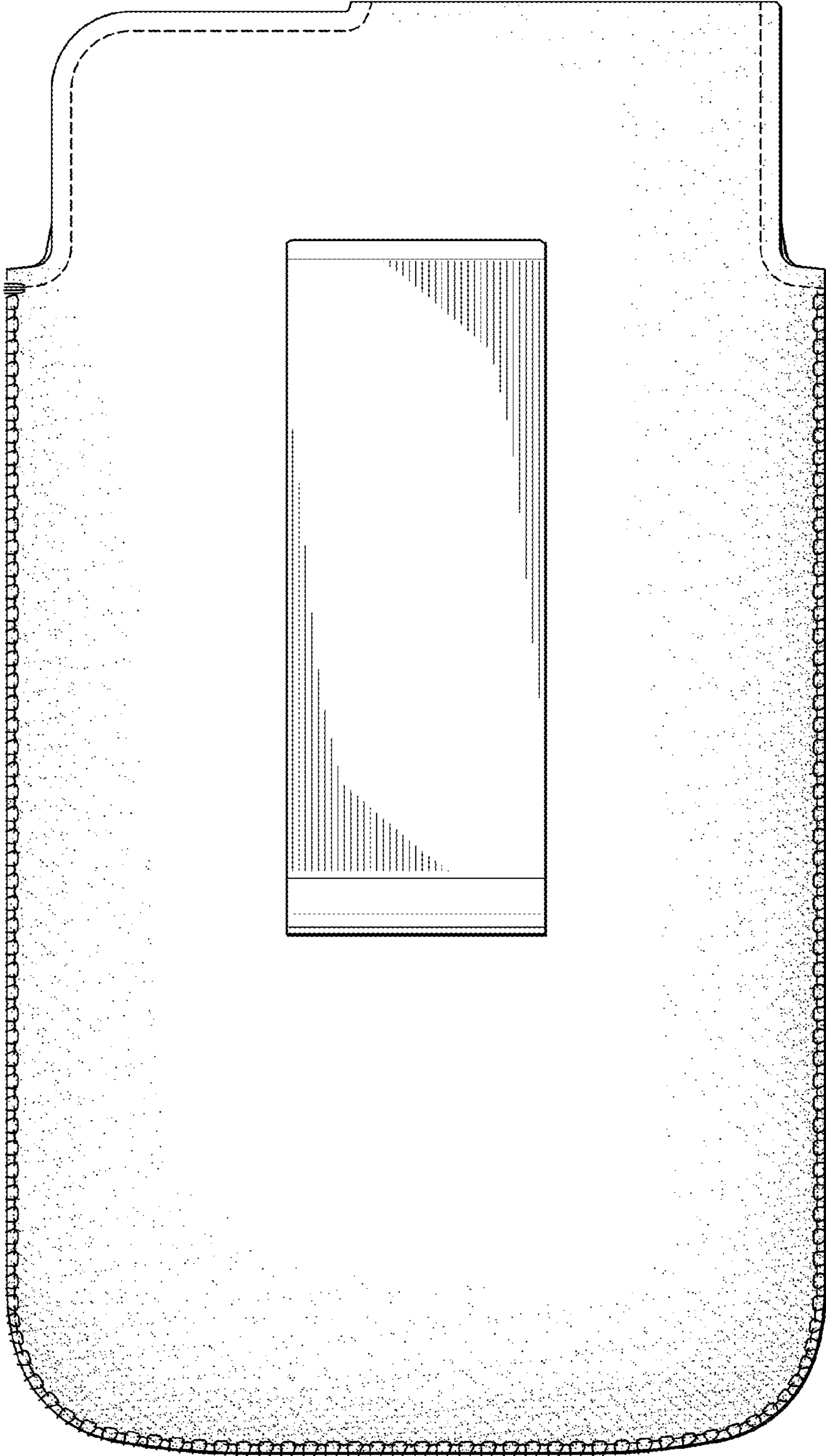


FIG. 3

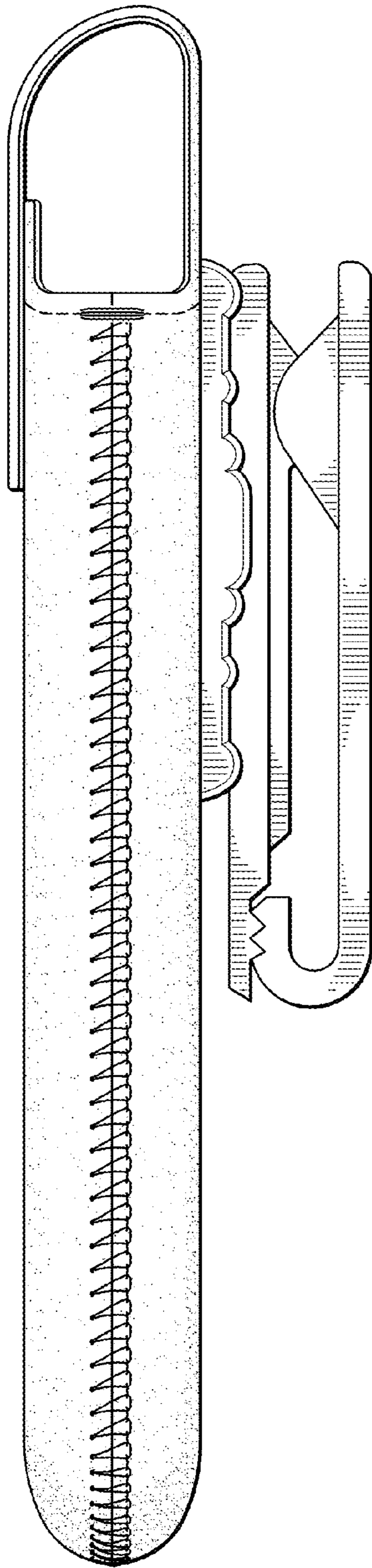


FIG. 4

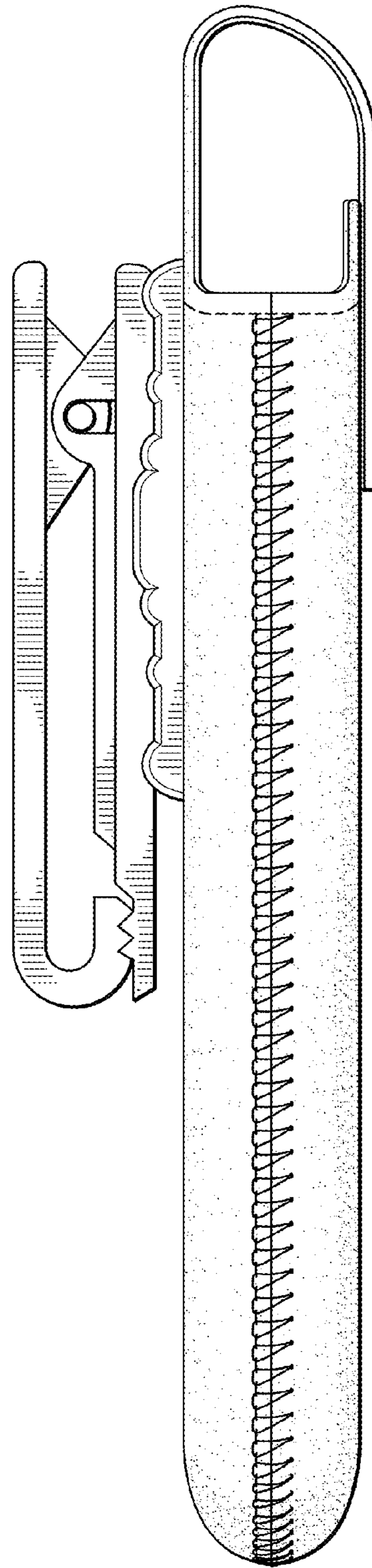


FIG. 5

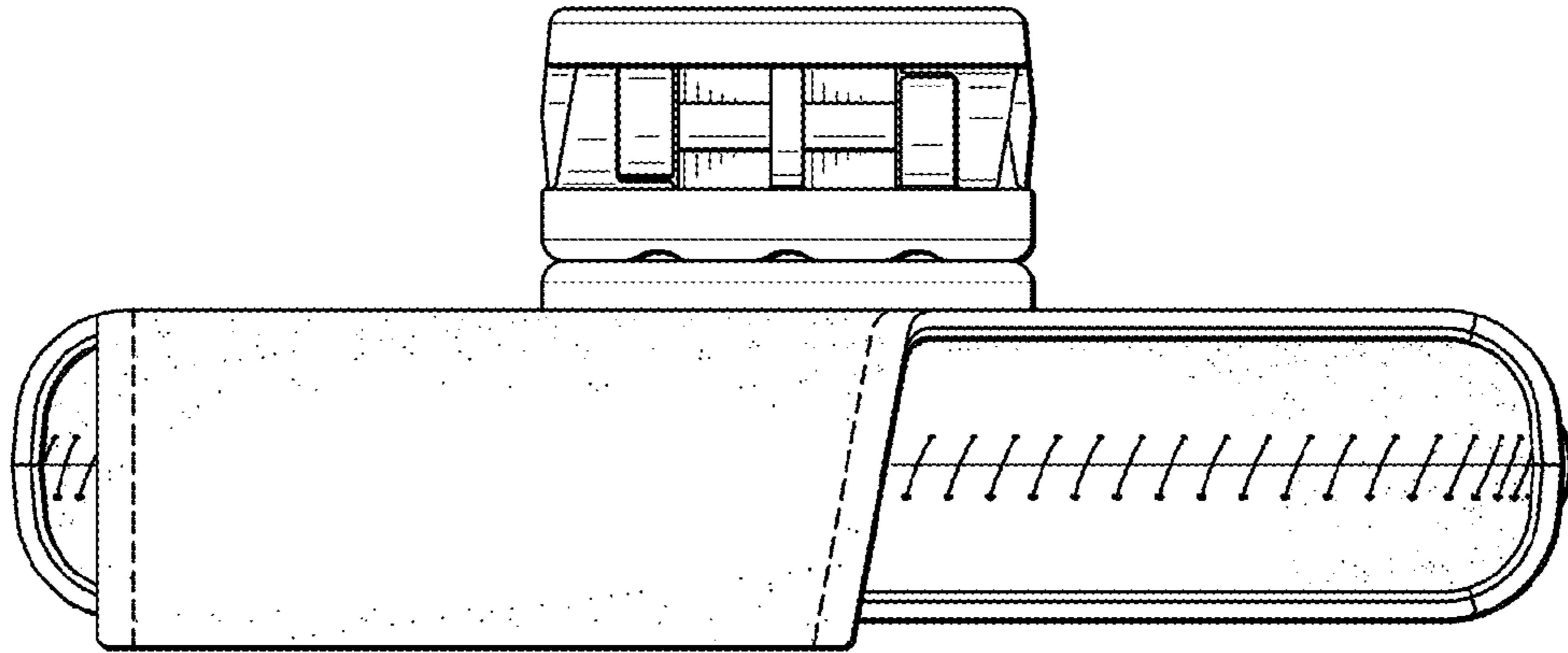


FIG. 6

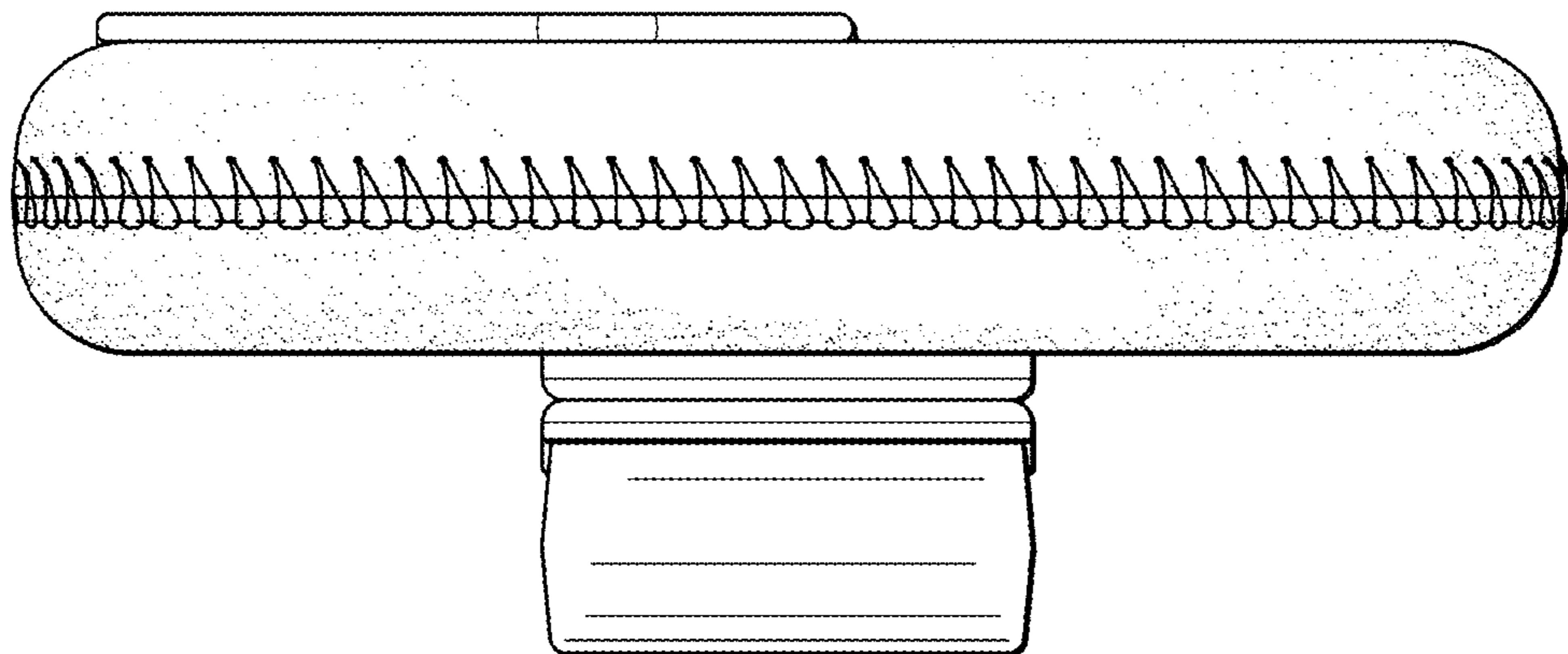


FIG. 7