



US00D682538S

(12) **United States Design Patent**  
**Rollo**

(10) **Patent No.:** **US D682,538 S**

(45) **Date of Patent:** **\*\* May 21, 2013**

(54) **TWEEZER CARRYING CASE**  
(75) Inventor: **Lesley A. Rollo**, Redondo Beach, CA  
(US)  
(73) Assignee: **Spilo Worldwide, Inc.**, Los Angeles, CA  
(US)

(\*\*) Term: **14 Years**

(21) Appl. No.: **29/375,380**

(22) Filed: **Sep. 21, 2010**

(51) **LOC (9) Cl.** ..... **03-01**

(52) **U.S. Cl.**  
USPC ..... **D3/205**

(58) **Field of Classification Search** ..... D3/204,  
D3/218, 226, 230, 232, 243, 245, 246, 247,  
D3/249, 272, 273, 275, 276, 283–285, 289,  
D3/290, 299, 303, 315, 294–296, 903; 206/6.1,  
206/235, 457, 349, 373, 5, 38, 380, 579,  
206/581; 220/833, 836, DIG. 13; 30/26–29;  
132/73, 73.5, 75, 75.5, 76.5, 200

See application file for complete search history.

(56) **References Cited**

**U.S. PATENT DOCUMENTS**

D21,762 S	8/1892	Estes	
1,127,292 A	2/1915	Schuyler	
1,420,523 A	6/1922	Coryell	
1,434,442 A	11/1922	Kohn et al.	
1,773,770 A	8/1930	Adam	
1,841,291 A	1/1932	Kern	
2,246,705 A	6/1941	Tyree	
2,376,946 A	5/1945	Stinson	
2,408,888 A	10/1946	Shoop	
3,323,638 A	6/1967	Dishart	
3,770,114 A	11/1973	Jackson	
D259,596 S	6/1981	Gray	
D314,069 S	1/1991	Alger et al.	
5,076,428 A	12/1991	Shaw	
5,186,320 A *	2/1993	Aida	206/527
D338,123 S	8/1993	Crawford	

5,349,969 A	9/1994	Price	
5,485,642 A	1/1996	Wiggleton et al.	
5,704,469 A	1/1998	Daniele et al.	
D422,139 S	4/2000	Meikle	
D447,285 S	8/2001	Trybus	
D453,991 S	3/2002	Trybus	
6,470,895 B1	10/2002	Miller et al.	
D501,714 S *	2/2005	Trybus	D3/205
D596,391 S *	7/2009	Cho	D3/205
D641,971 S *	7/2011	Shibata	D3/206
D655,864 S *	3/2012	Zeitouny	D28/59

**OTHER PUBLICATIONS**

“Salon Board with Carrying Case” from the website printout of Sep. 16, 2010 at <http://www.parispresents.com> (1 page).

\* cited by examiner

*Primary Examiner* — Ian Simmons

*Assistant Examiner* — Charles Hanson

(74) *Attorney, Agent, or Firm* — Fulwider Patton LLP

(57) **CLAIM**

The ornamental design for a tweezer carrying case, as shown and described.

**DESCRIPTION**

FIG. 1 is a front elevational view of a tweezer carrying case showing my new design;  
FIG. 2 is an rear elevational view thereof;  
FIG. 3 is a right side elevational view thereof, the left side elevational view being a mirror image;  
FIG. 4 is a top plan view thereof;  
FIG. 5 is a bottom plan view thereof;  
FIG. 6 is a perspective view thereof, showing the case in a closed position;  
FIG. 7 is a top front perspective view thereof, showing the case in an open position; and,  
FIG. 8 is a top plan view thereof, showing the case in an open position.

**1 Claim, 4 Drawing Sheets**

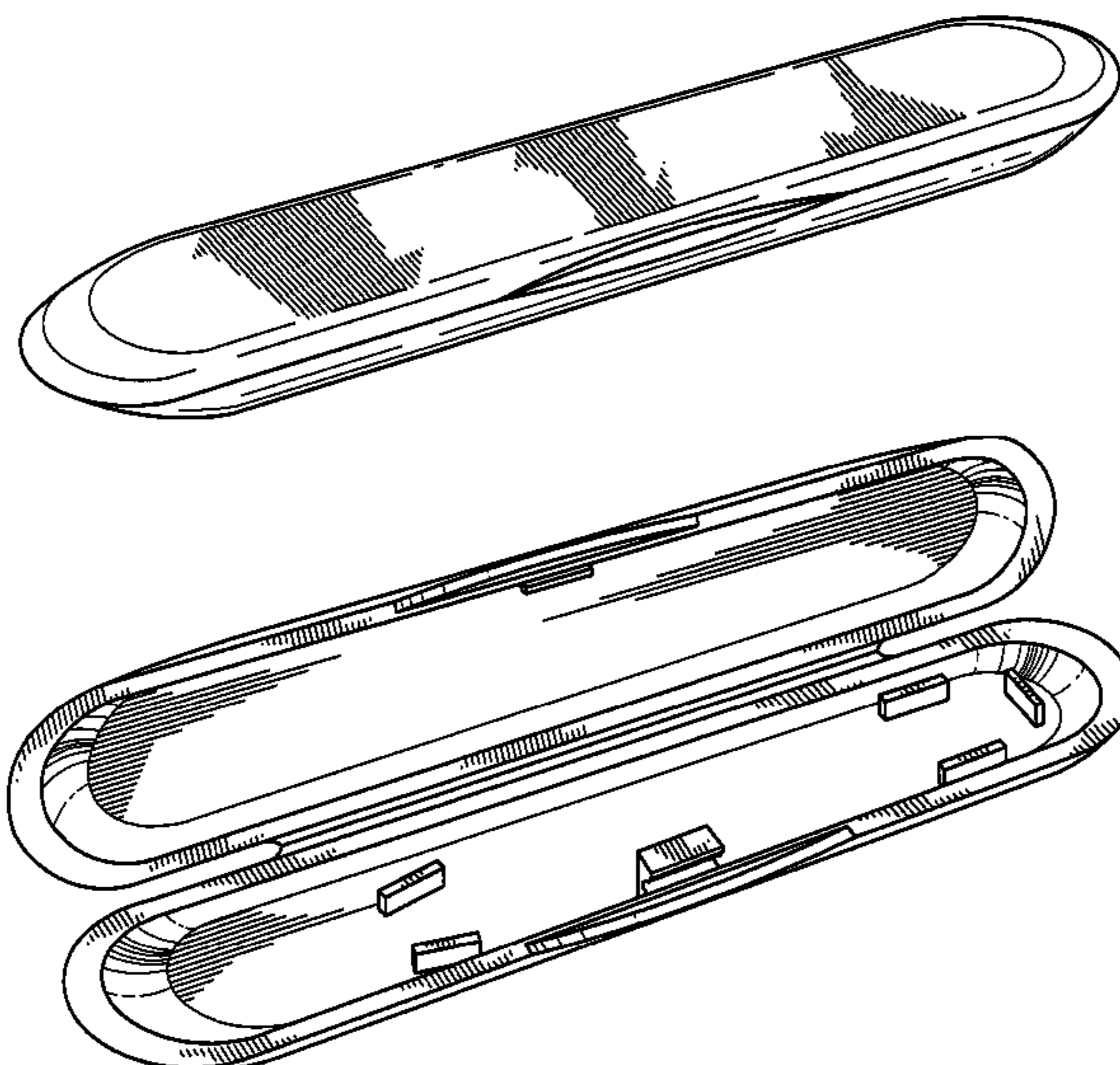


FIG. 1

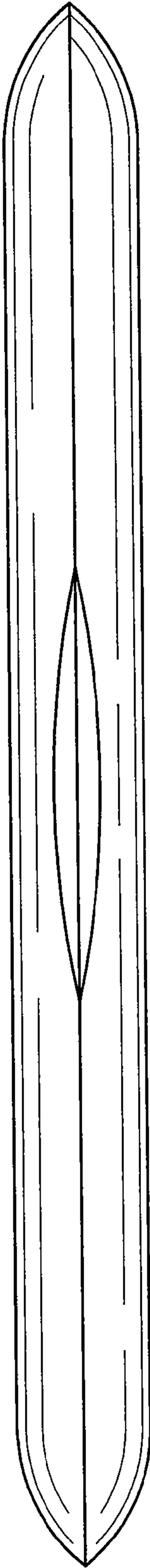


FIG. 2

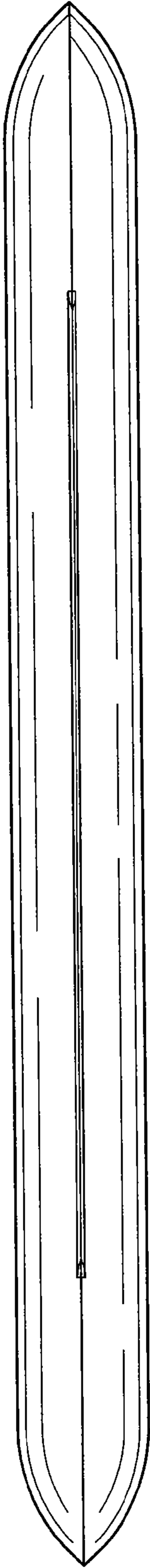
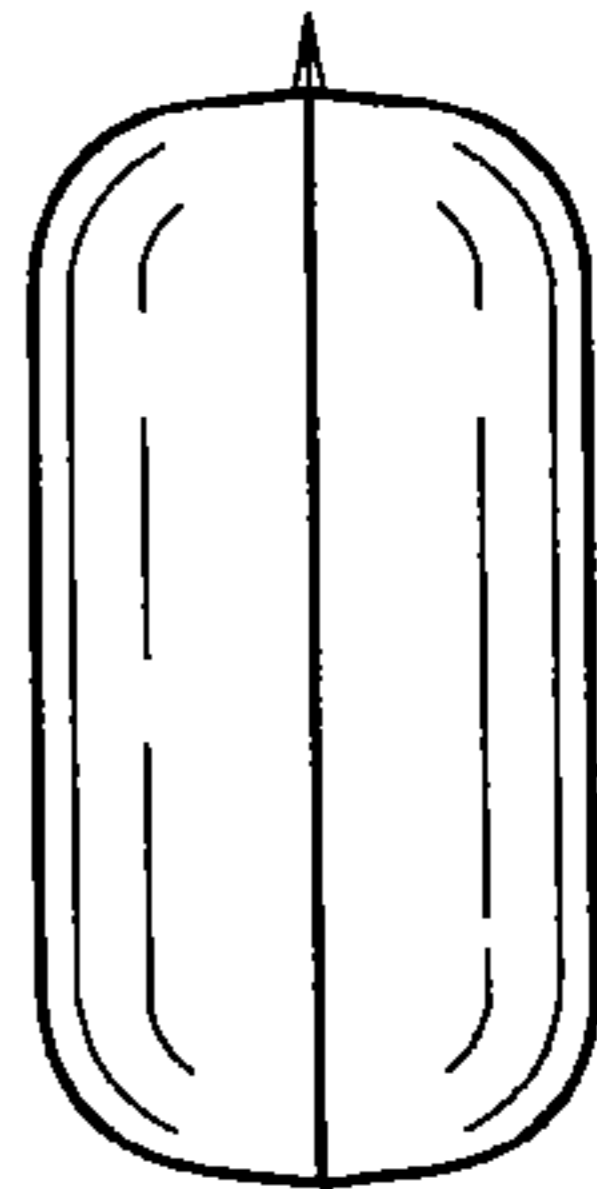
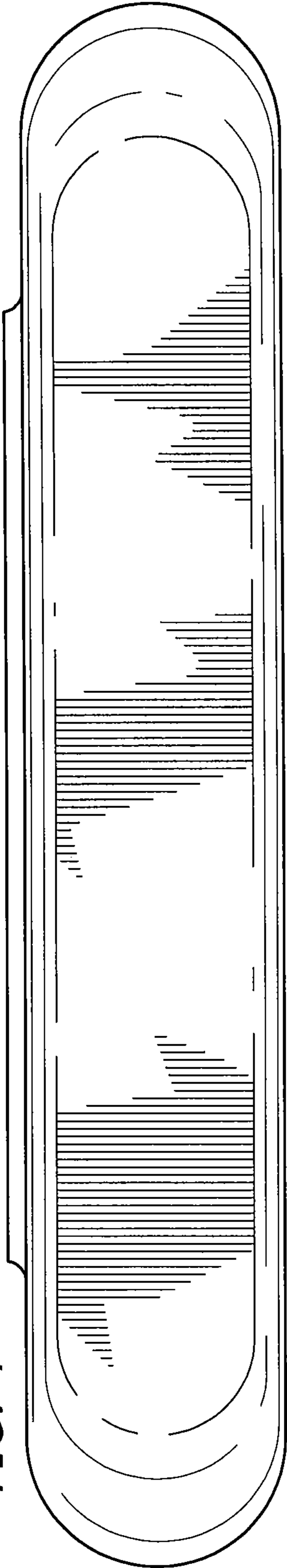


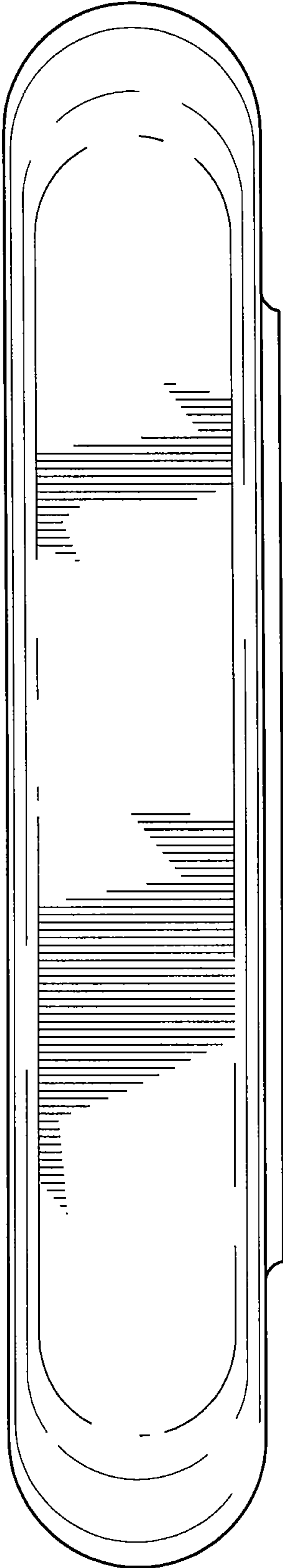
FIG. 3



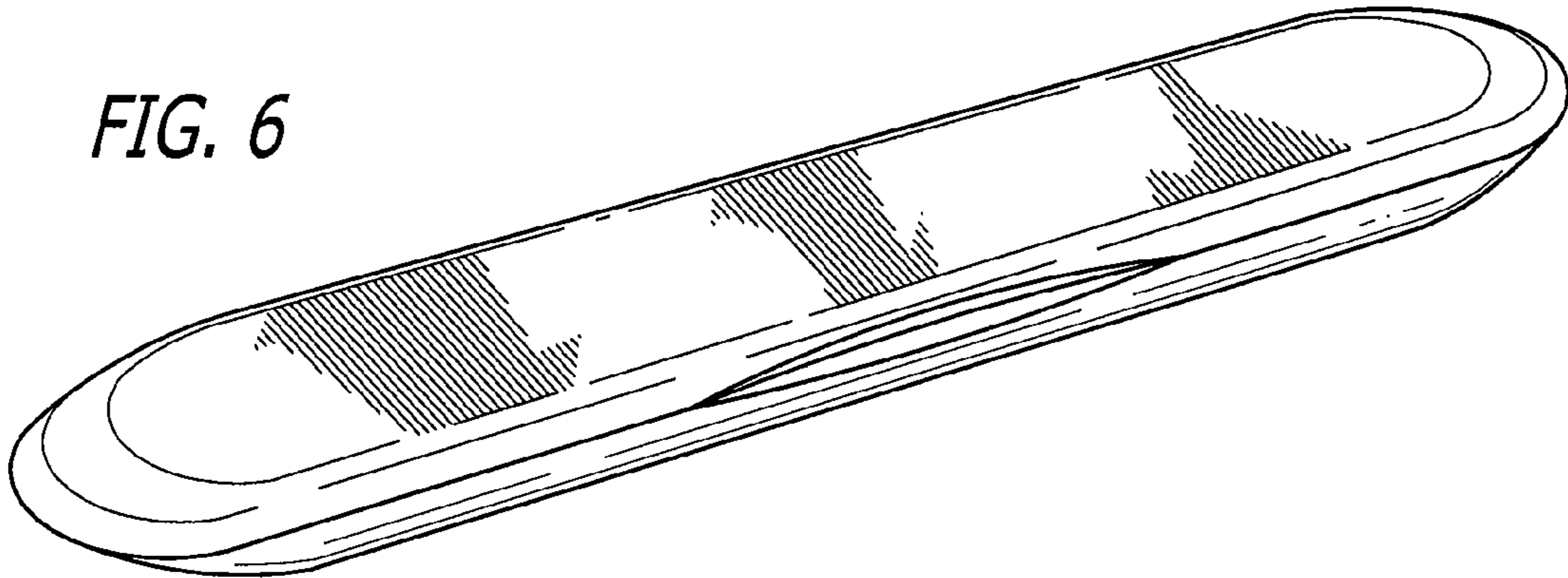
**FIG. 4**



**FIG. 5**



*FIG. 6*



*FIG. 7*

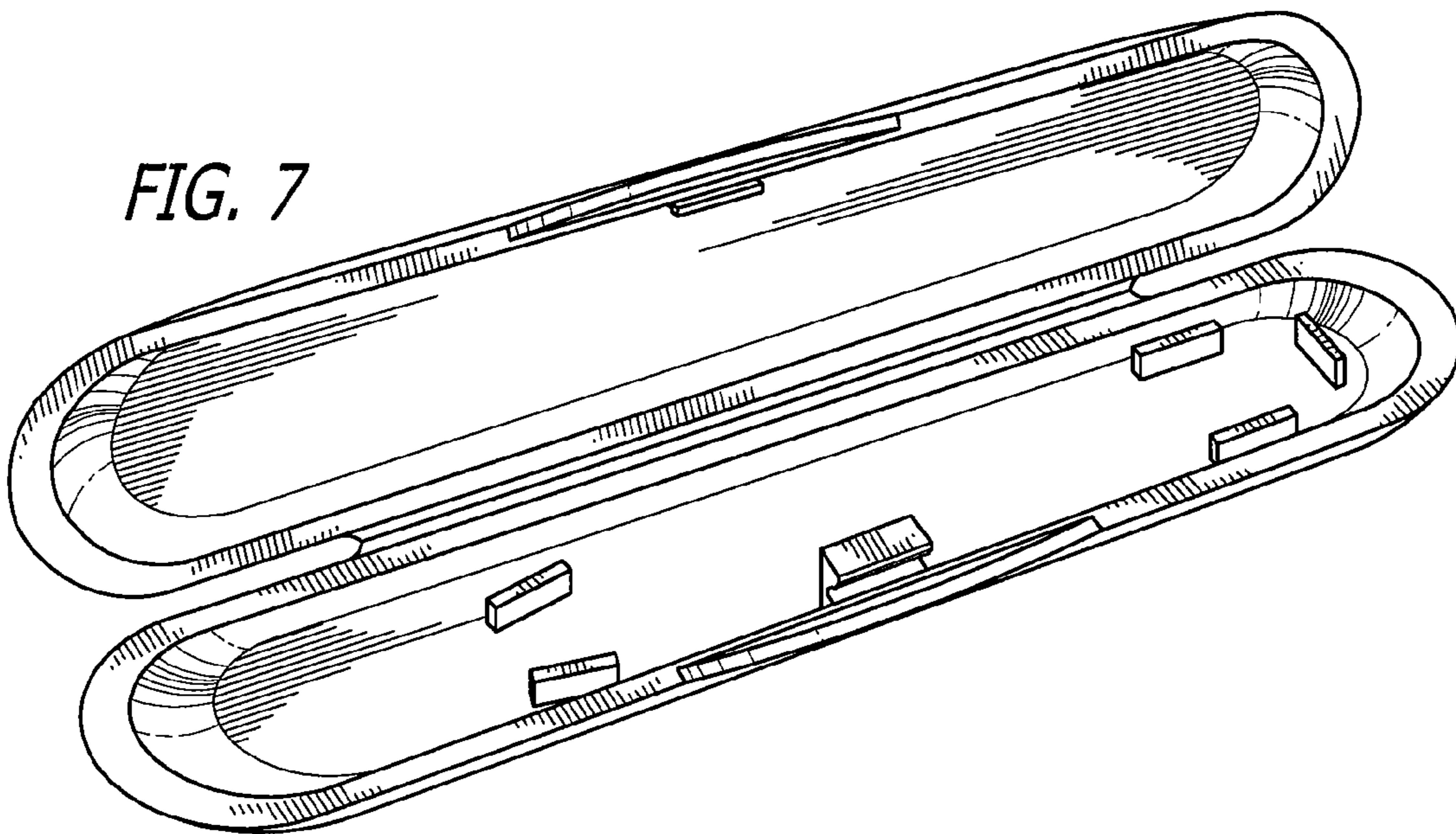


FIG. 8

