



US00D682537S

(12) **United States Design Patent**
Maligno

(10) **Patent No.:** **US D682,537 S**

(45) **Date of Patent:** **** May 21, 2013**

- (54) **STAND FOR TYING BOWS**
- (76) Inventor: **Donna Maligno**, Weymouth, MA (US)
- (**) Term: **14 Years**
- (21) Appl. No.: **29/422,062**
- (22) Filed: **May 16, 2012**
- (51) **LOC (9) Cl.** **02-07**
- (52) **U.S. Cl.**
USPC **D3/26**
- (58) **Field of Classification Search** D3/18,
D3/20, 24, 25, 26; D8/373; 223/44, 46; 28/147,
28/151; 132/275
See application file for complete search history.

D389,998 S	2/1998	Cavender et al.	
D393,147 S	4/1998	Renshaw	
5,810,214 A	9/1998	Hecht	
D400,004 S	10/1998	Hyche	
5,946,780 A *	9/1999	Borcherds et al.	28/147
5,975,383 A *	11/1999	Cavender et al.	223/46
6,000,586 A	12/1999	Cavender	
6,131,778 A	10/2000	Etzion	
D481,617 S *	11/2003	Kelly	D8/373
7,857,175 B2	12/2010	Schorr	
2009/0294490 A1	12/2009	Gustin	

* cited by examiner

Primary Examiner — Caron D Veynar
Assistant Examiner — Martie K Holtje
(74) *Attorney, Agent, or Firm* — John P. McGonagle

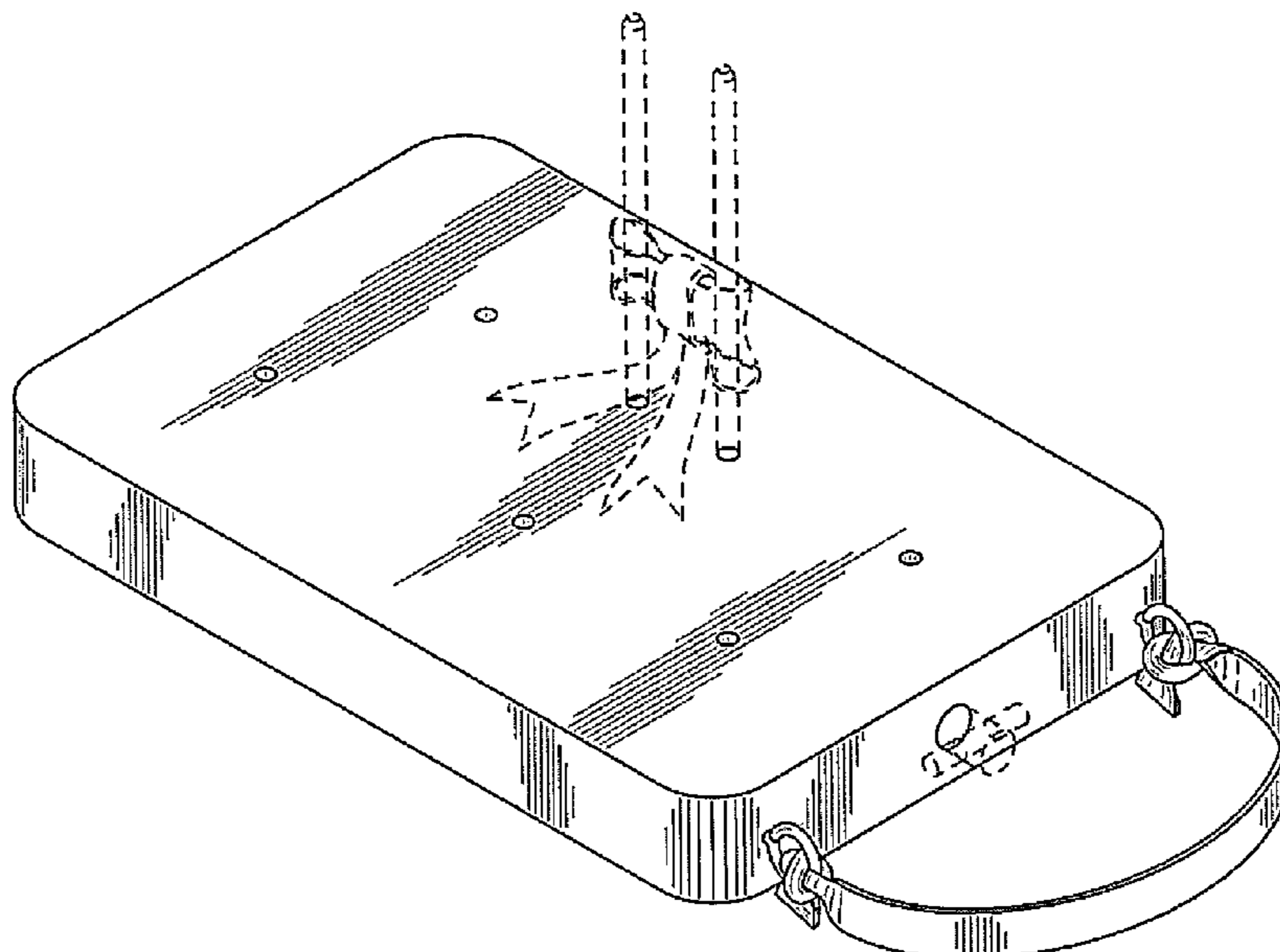
(57) **CLAIM**
The ornamental design for an stand for tying bows, as shown and described.

- (56) **References Cited**
- U.S. PATENT DOCUMENTS
- 1,010,155 A 11/1911 Lange
- D46,137 S 7/1914 Reist
- 2,469,037 A 5/1949 Harvey
- 2,542,222 A * 2/1951 Welch 223/46
- 2,763,080 A * 9/1956 Welch 428/5
- 3,044,670 A 7/1962 Barefoot
- 3,223,440 A 12/1965 Rosenzweig
- 3,754,692 A * 8/1973 Sanders 223/46
- 4,454,968 A * 6/1984 StLawrence 223/46
- 4,629,100 A 12/1986 Owens
- D291,841 S 9/1987 Owens
- 5,356,056 A 10/1994 Teuten
- 5,411,188 A 5/1995 Teuten
- D364,733 S 12/1995 Cavender
- 5,499,759 A 3/1996 Richards
- 5,617,979 A 4/1997 Cavender

DESCRIPTION

FIG. 1 is a front perspective view of an stand for tying bows embodying my new design;
FIG. 2 is a right side view thereof;
FIG. 3 is a left side view thereof;
FIG. 4 is a front view thereof;
FIG. 5 is a rear view thereof;
FIG. 6 is a top view thereof; and,
FIG. 7 is a bottom view thereof.
The structural elements depicted by means of broken lines in the figures are shown for the purpose of illustrating portions of the stand for tying bows that form no part of the claimed design.

1 Claim, 3 Drawing Sheets



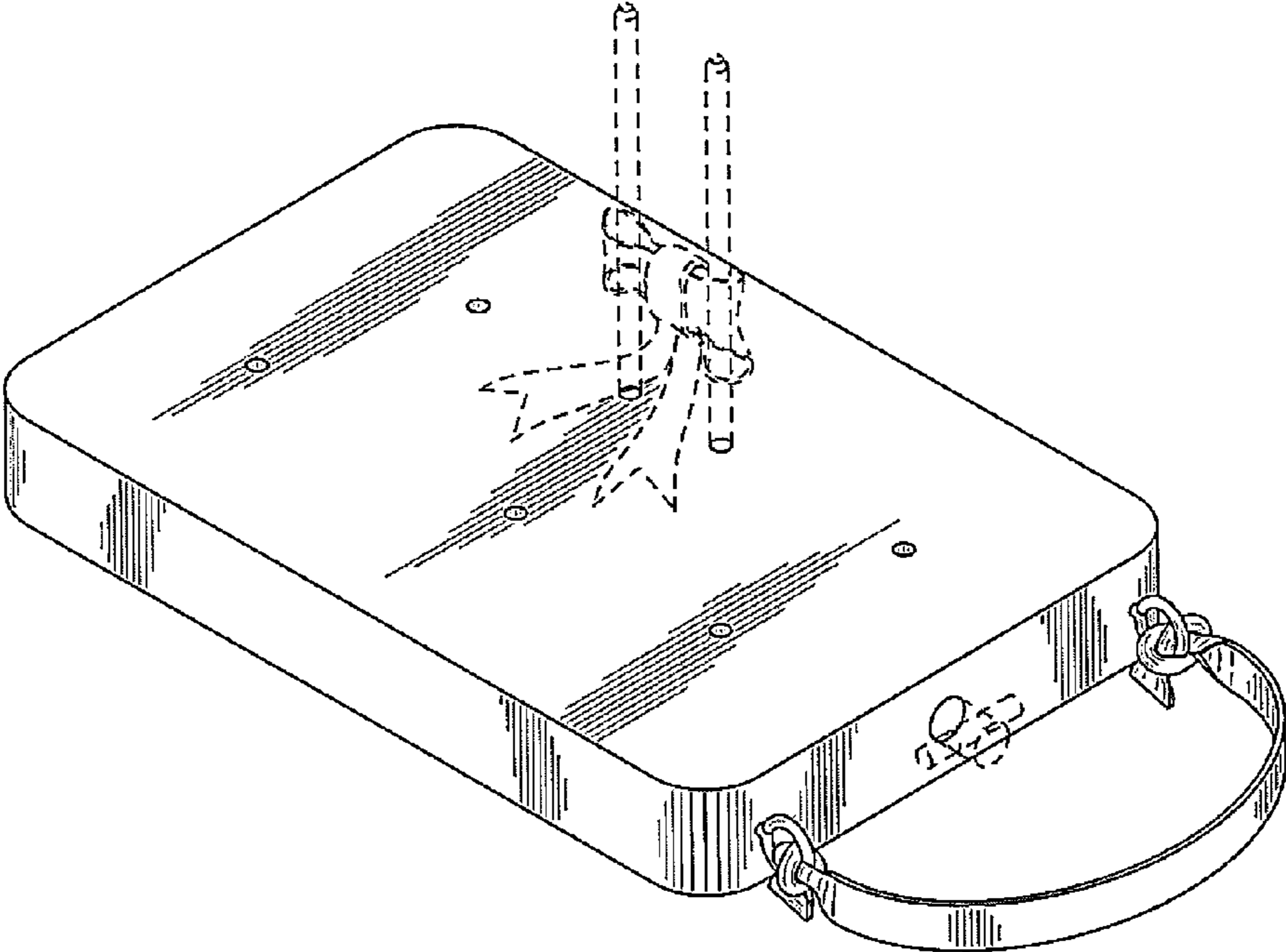


FIG. 1

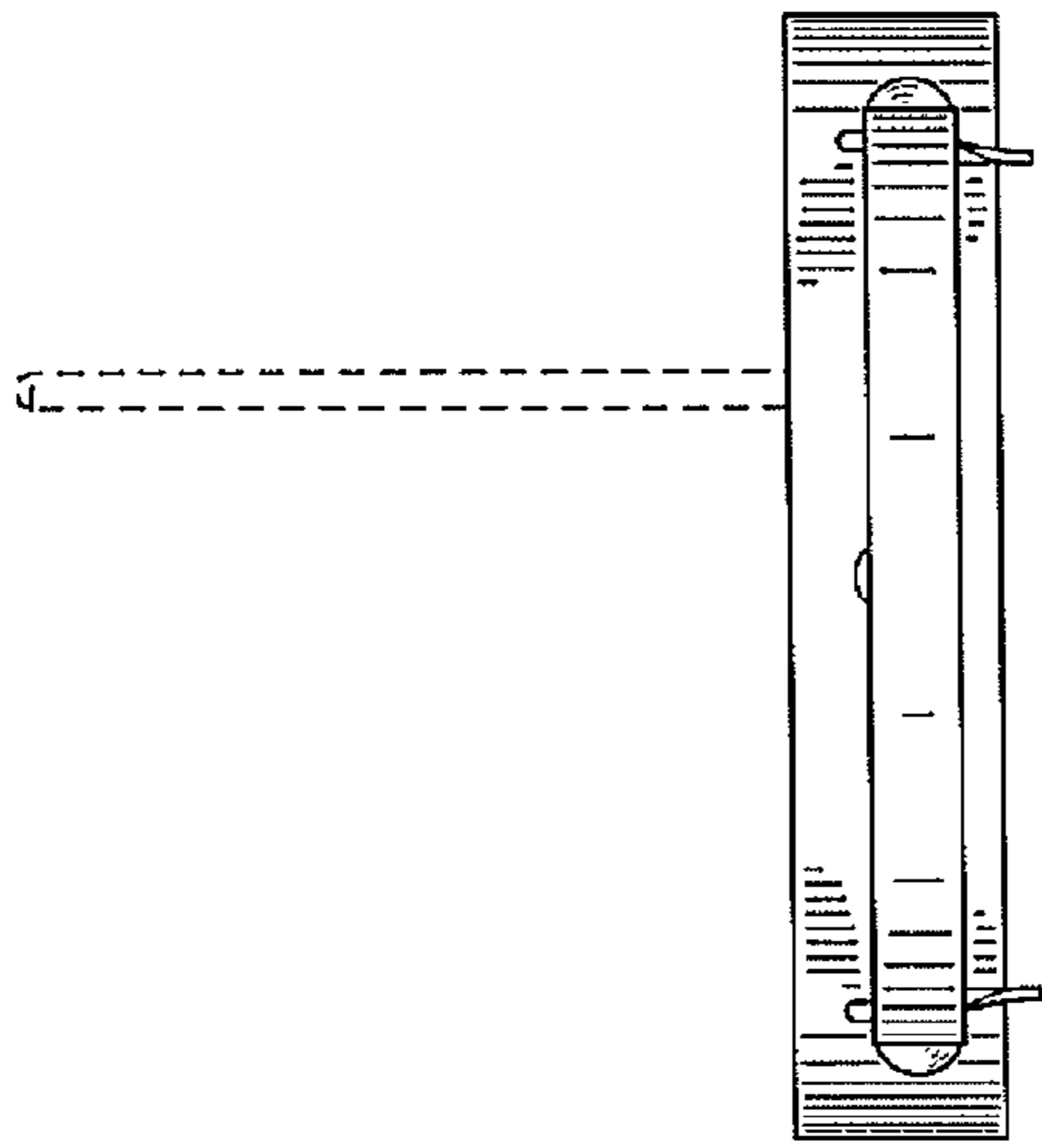


FIG. 4

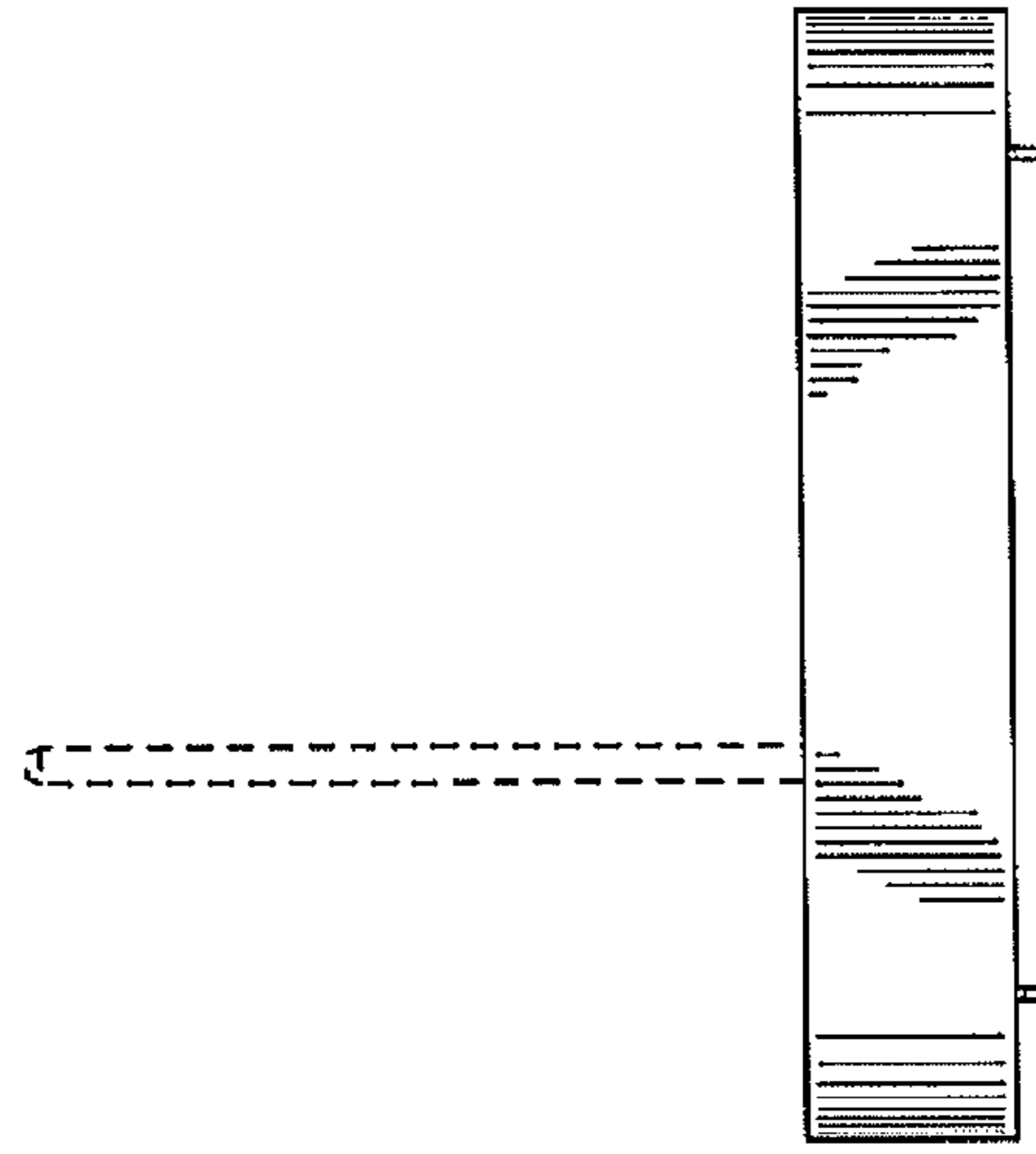


FIG. 5

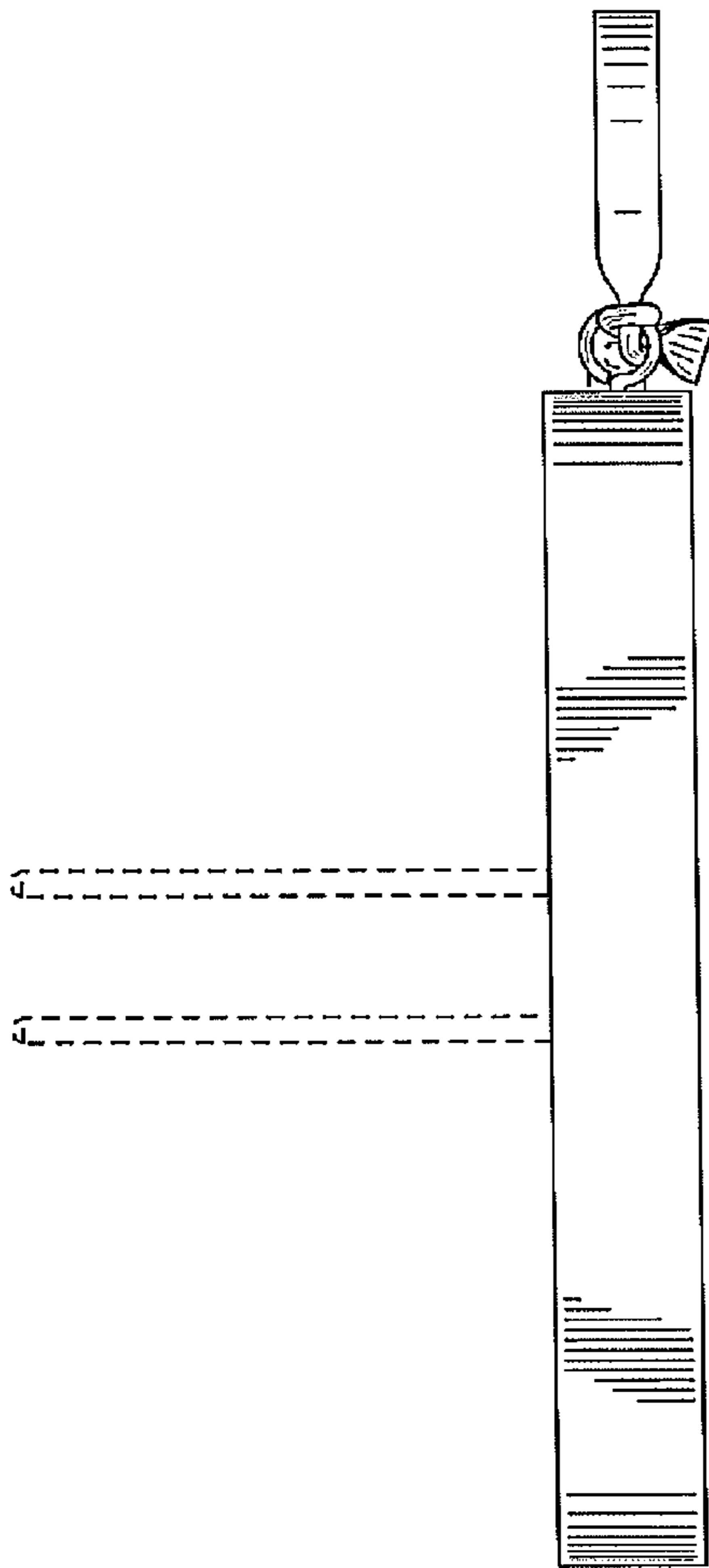


FIG. 2

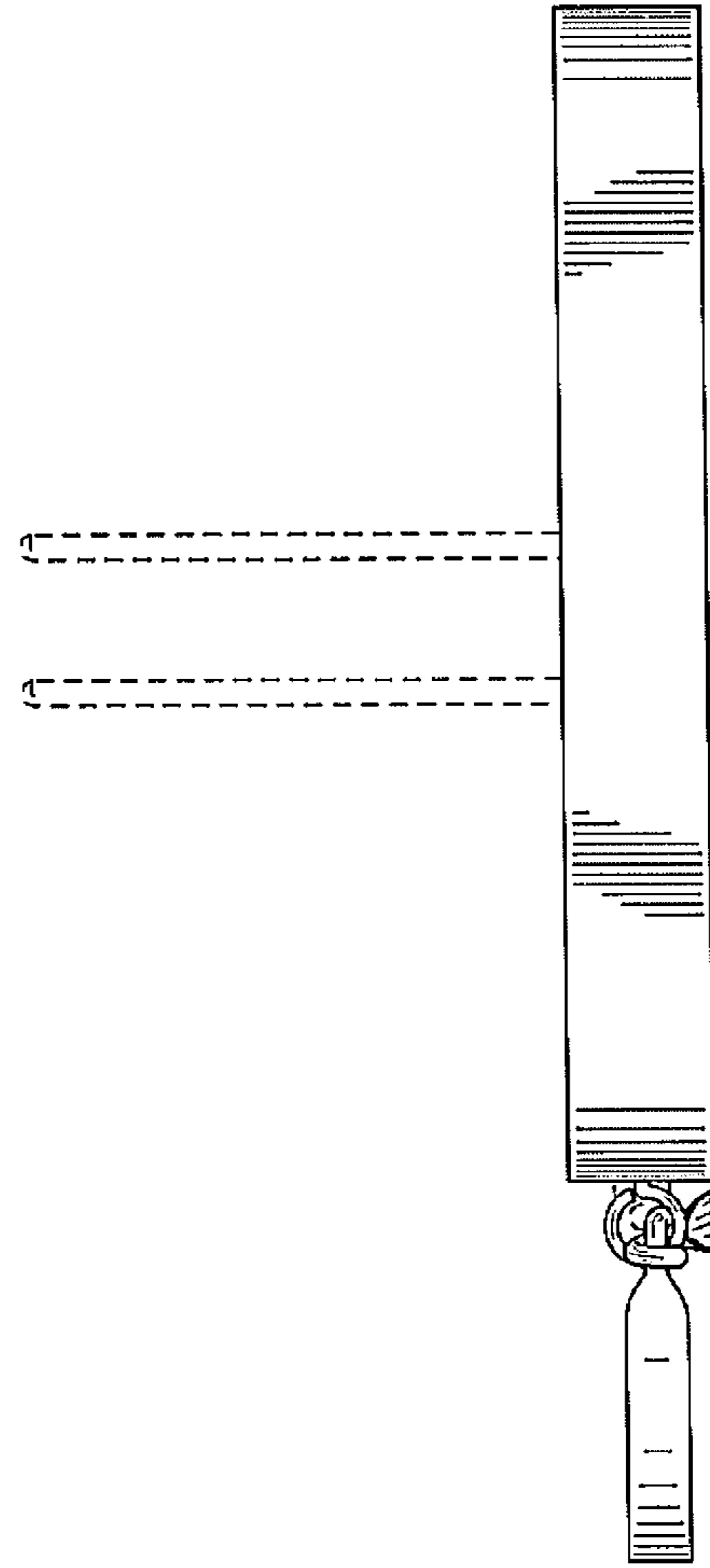


FIG. 3

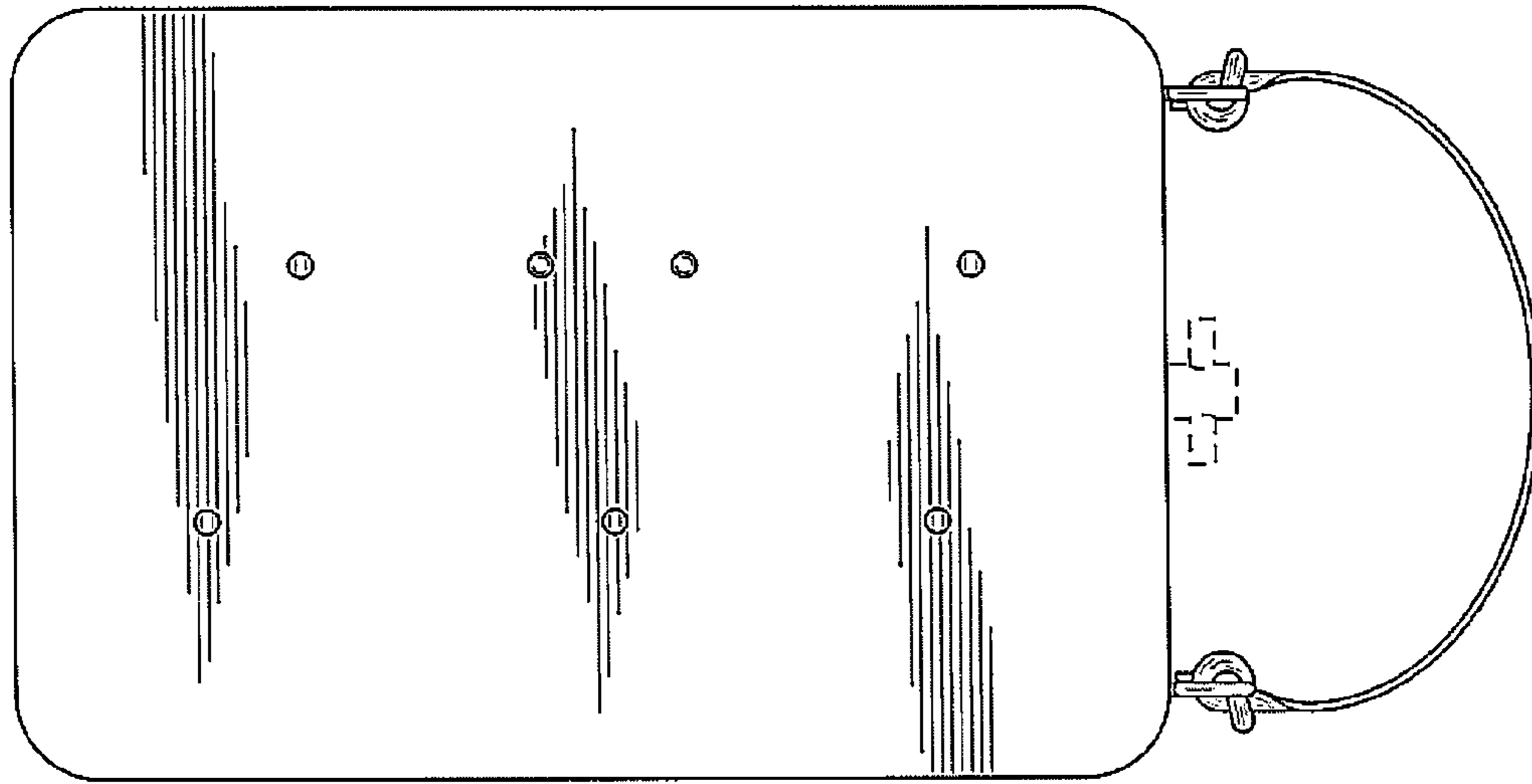


FIG. 6

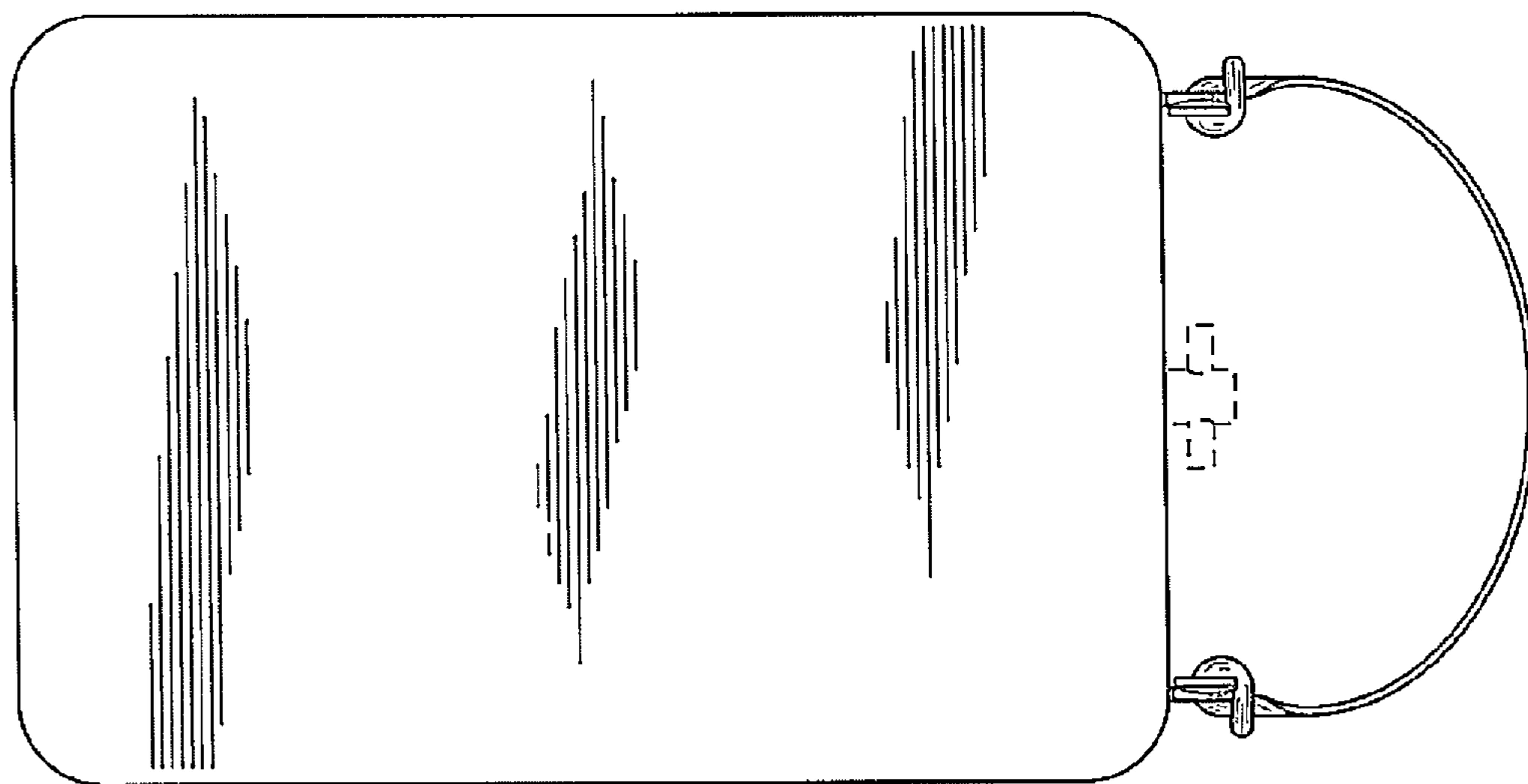


FIG. 7