



US00D682512S

(12) **United States Design Patent**
Andrews

(10) **Patent No.:** **US D682,512 S**

(45) **Date of Patent:** **** May 21, 2013**

(54) **FOLDABLE BASEBALL CAP**

(76) Inventor: **Michael P. Andrews**, Carpinteria, CA
(US)

(**) Term: **14 Years**

(21) Appl. No.: **29/415,885**

(22) Filed: **Mar. 15, 2012**

(51) **LOC (9) Cl.** **02-03**

(52) **U.S. Cl.**
USPC **D2/875**

(58) **Field of Classification Search** D2/865,
D2/866, 869, 871, 875, 876, 877, 879, 882,
D2/884; 2/12, 195.7, 200.1, 200.2, 200.3,
2/206; 40/329

See application file for complete search history.

(56) **References Cited**

U.S. PATENT DOCUMENTS

D68,685	S	*	11/1925	Weinrott et al.	D2/871
1,631,210	A	*	6/1927	Johnson	2/12
2,410,158	A	*	10/1946	Gardner	2/209.3
2,594,906	A		4/1952	Gardner		
2,827,636	A		3/1958	Hoeflich		
3,041,628	A		7/1962	Fish		
D196,166	S	*	9/1963	Ellis	D2/876
3,376,580	A	*	4/1968	Ashmore	2/195.7
D226,544	S	*	3/1973	Veltri	D2/876
4,027,340	A	*	6/1977	Hadtko	2/206
4,055,856	A		11/1977	Dirham		
D246,876	S	*	1/1978	Warenback	D2/876
D271,629	S	*	12/1983	De Lozada	D2/875
5,010,590	A	*	4/1991	Haber et al.	2/12
5,129,103	A		7/1992	Gruneisen		

D352,378	S	*	11/1994	Wise	D2/876
D391,387	S	*	3/1998	Pogrebitsky et al.	D2/876
D394,340	S	*	5/1998	Kennard	D2/869
6,092,239	A	*	7/2000	Pogrebitsky et al.	2/200.3
D458,736	S		6/2002	Tung		
D591,932	S		5/2009	Groves		
D621,137	S	*	8/2010	Byrne	D2/876
D625,905	S	*	10/2010	Koontz	D2/877
D634,517	S	*	3/2011	Algar	D2/882
2002/0178486	A1		12/2002	Kovalenko		
2004/0117893	A1		6/2004	Ginsberg		
2006/0143794	A1*		7/2006	Hou	2/200.3

* cited by examiner

Primary Examiner — Karen E Eldridge Powers

(74) *Attorney, Agent, or Firm* — Guy Cumberbatch

(57) **CLAIM**

I claim the ornamental design for a foldable baseball cap, as shown and described.

DESCRIPTION

FIG. 1 is a front/left side perspective view of a foldable baseball cap of the present application, shown fully assembled;

FIG. 2 is a front/right side perspective view thereof;

FIG. 3 is a left side elevation view thereof;

FIG. 4 is a front elevation view thereof;

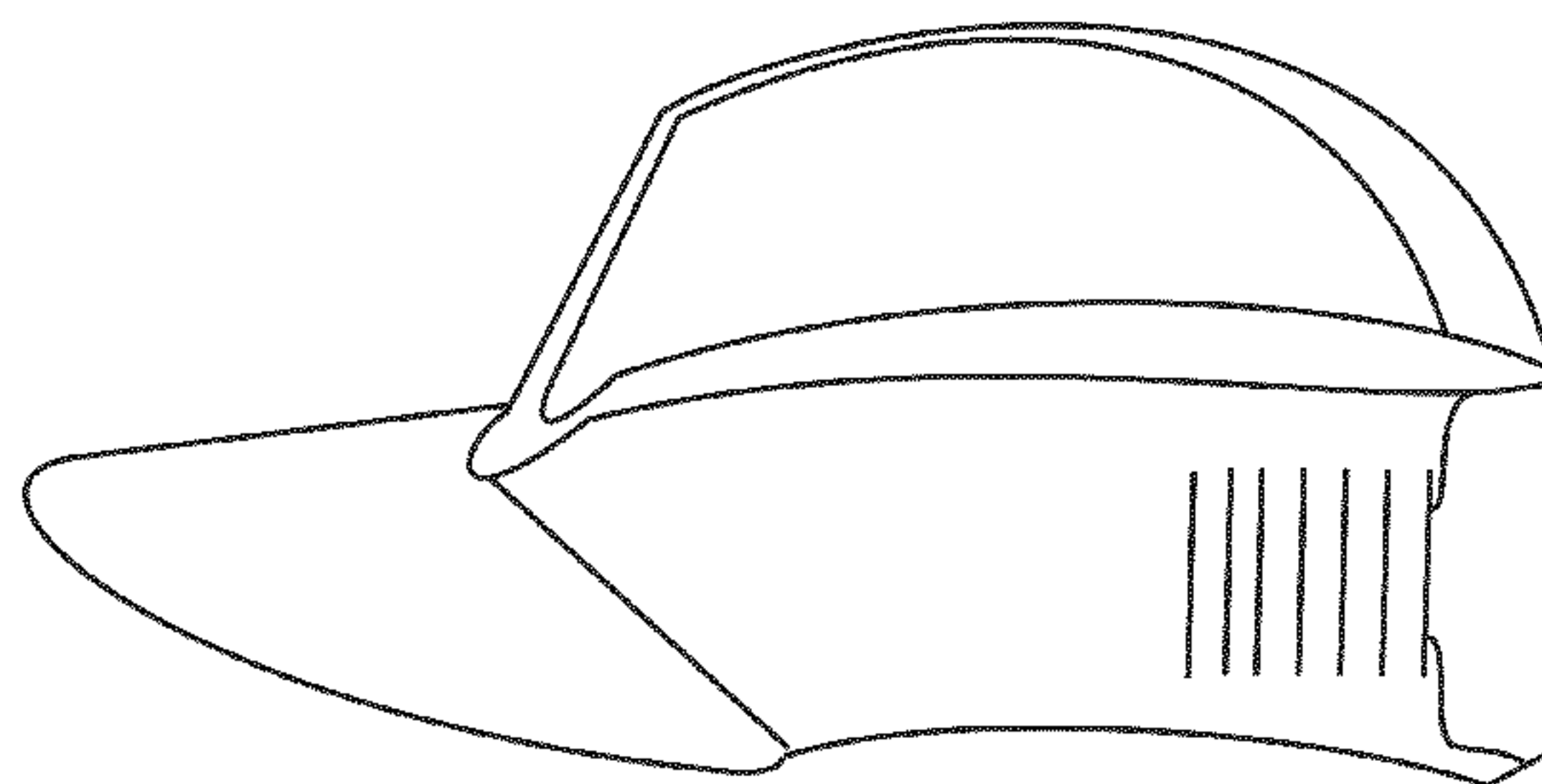
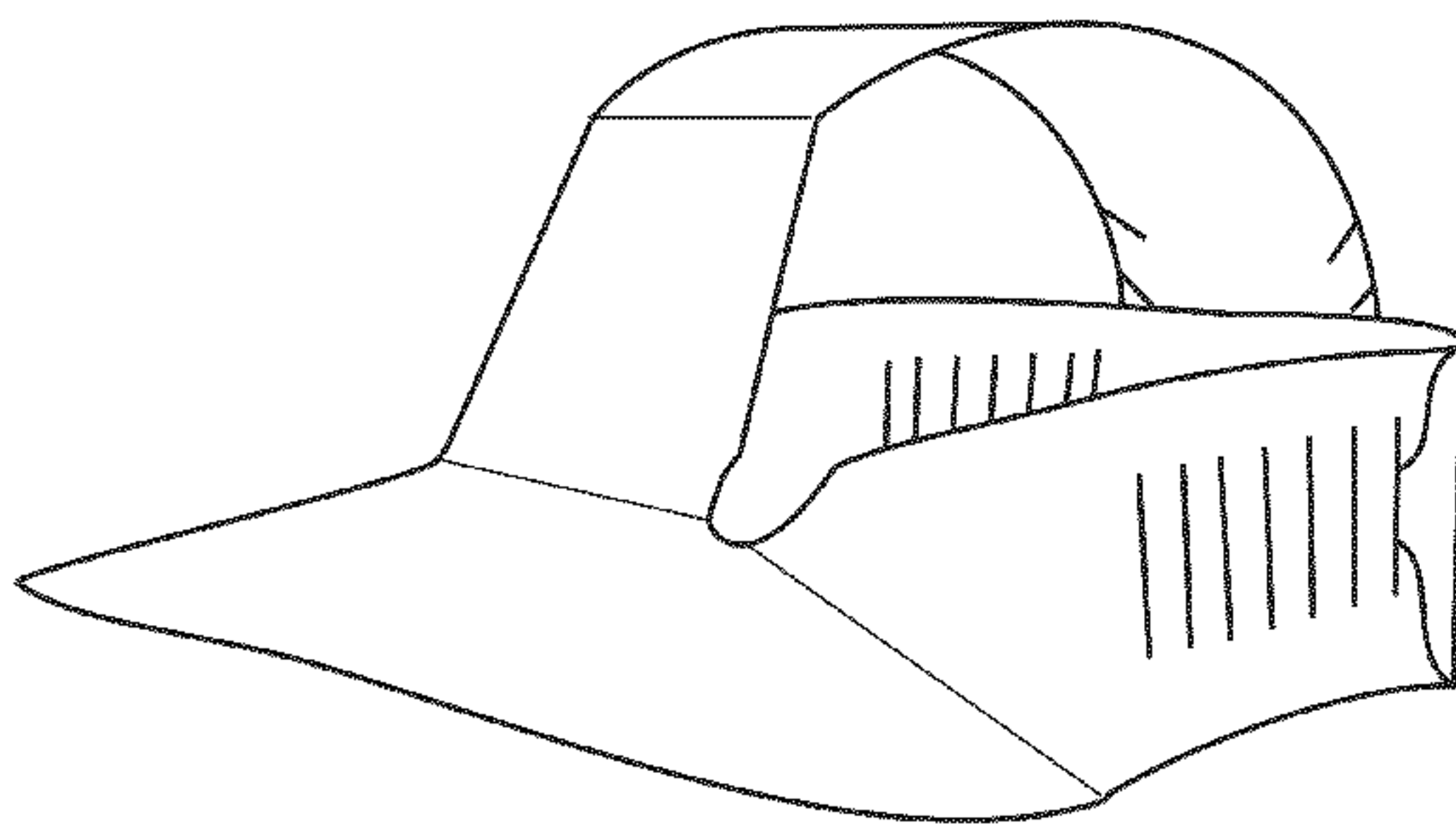
FIG. 5 is a left side elevation view thereof;

FIG. 6 is a top plan view thereof;

FIG. 7 is a top plan view of the design of FIGS. 1-6 shown in a flattened state; and,

FIG. 8 is a bottom plan view thereof.

1 Claim, 5 Drawing Sheets



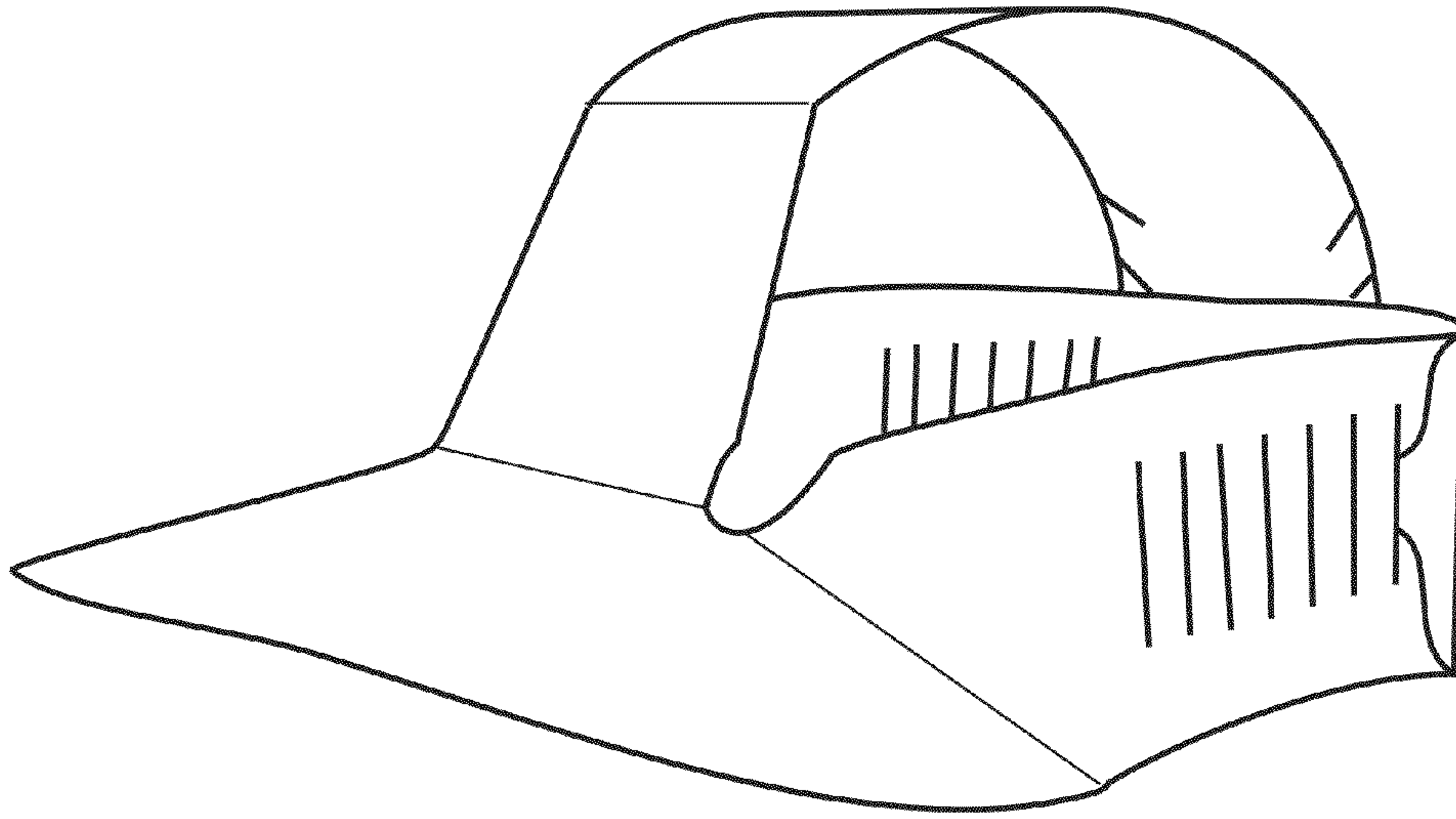


Fig. 1

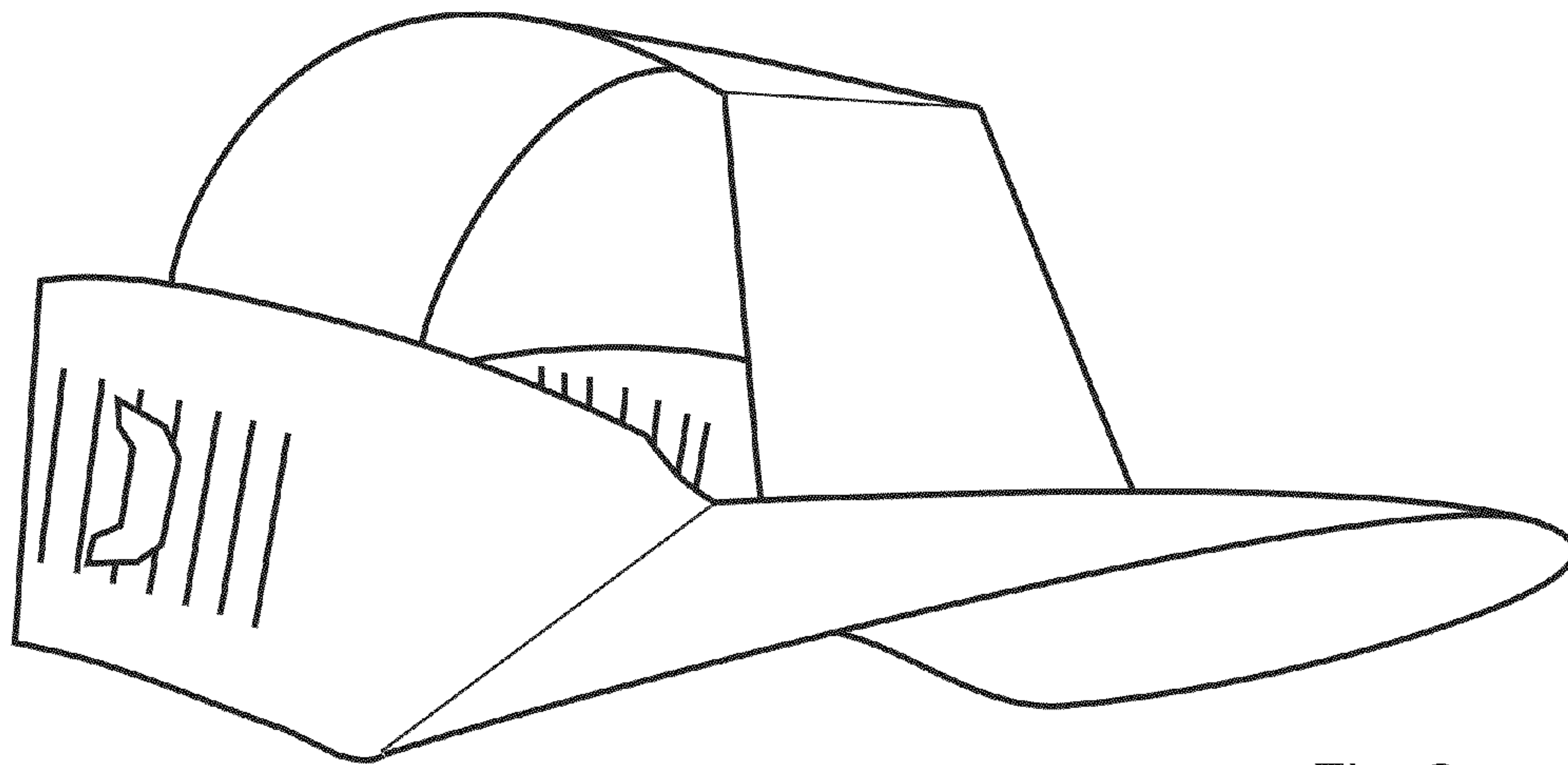


Fig. 2

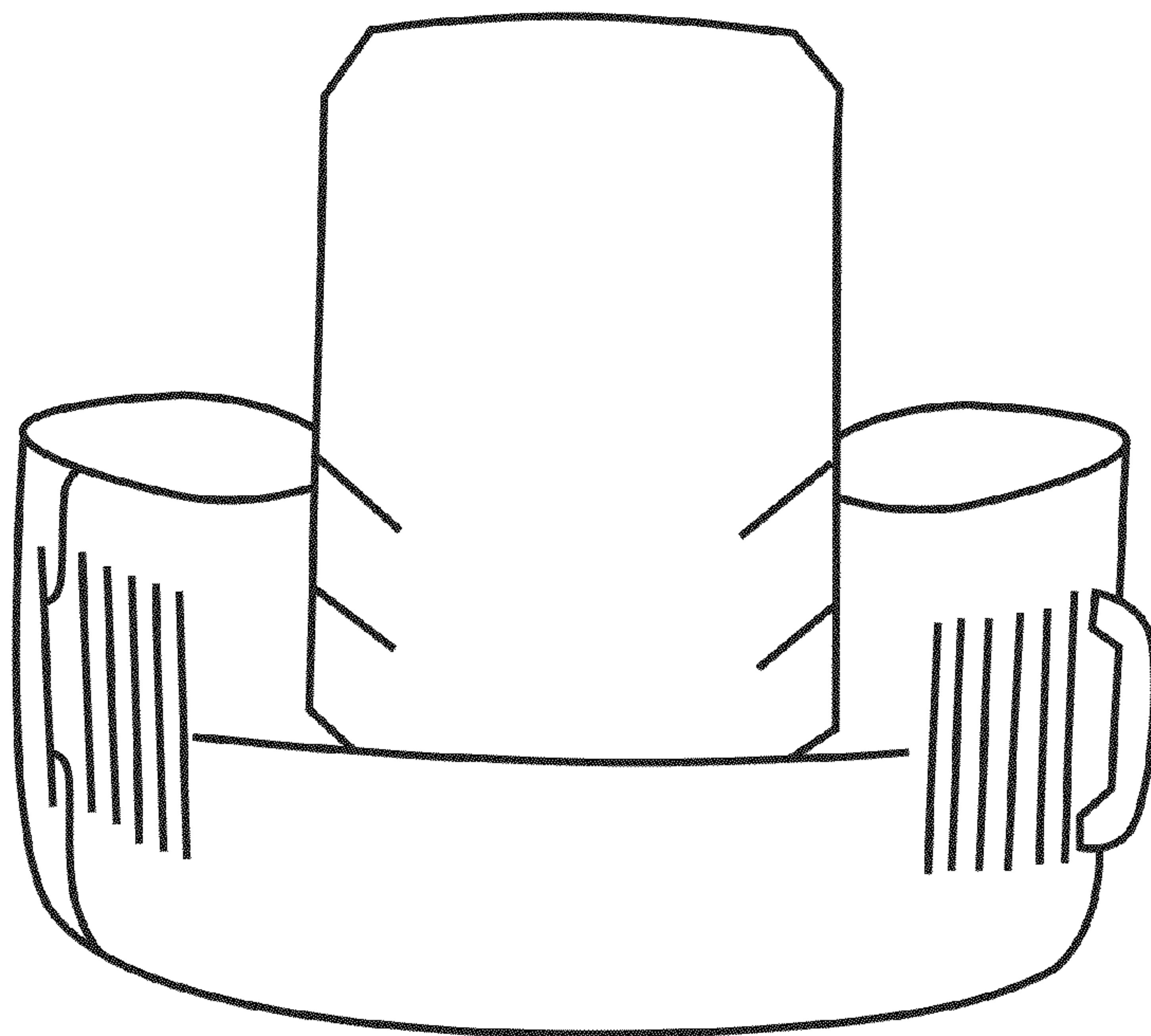


FIG. 3

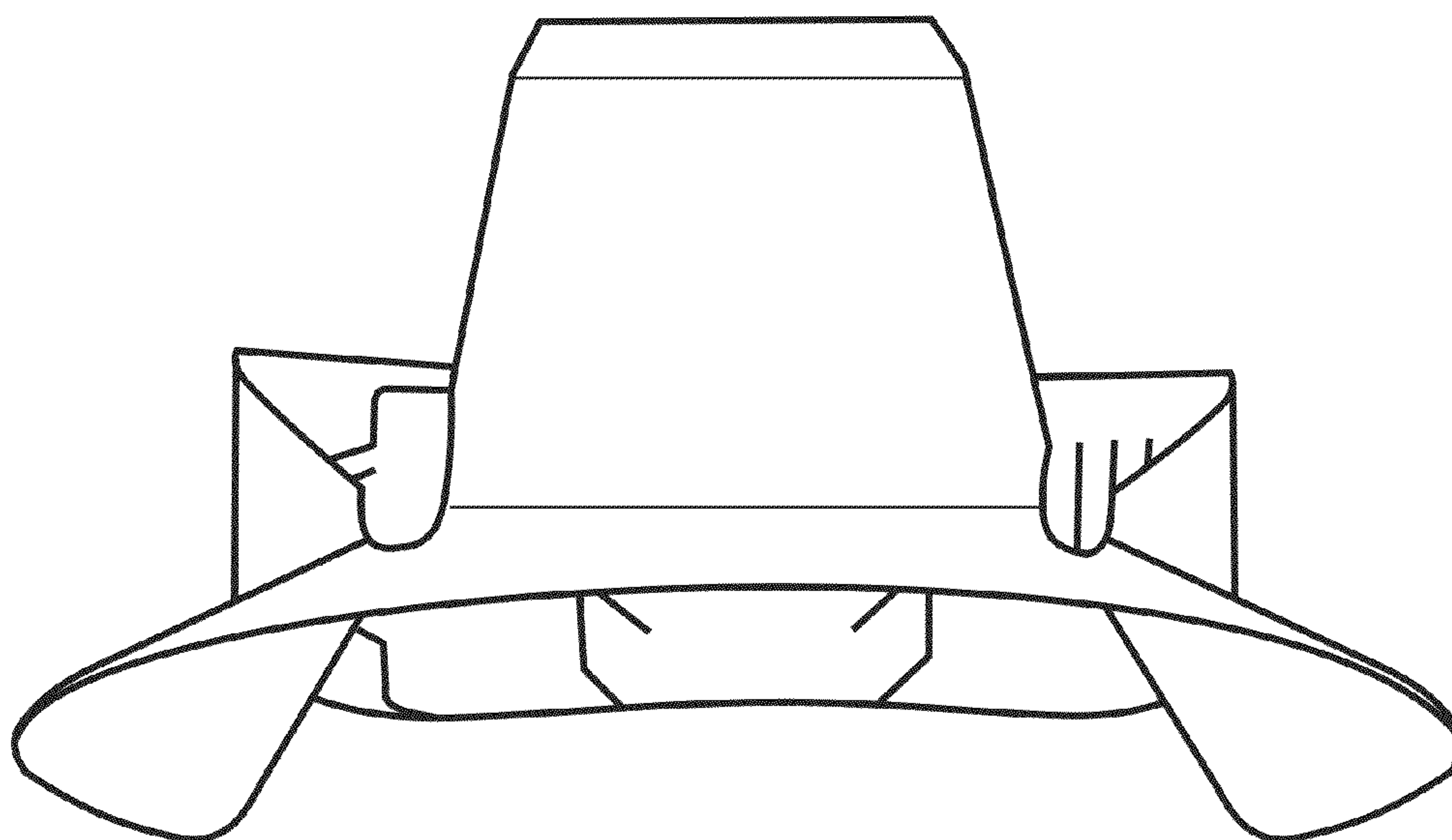


FIG. 4

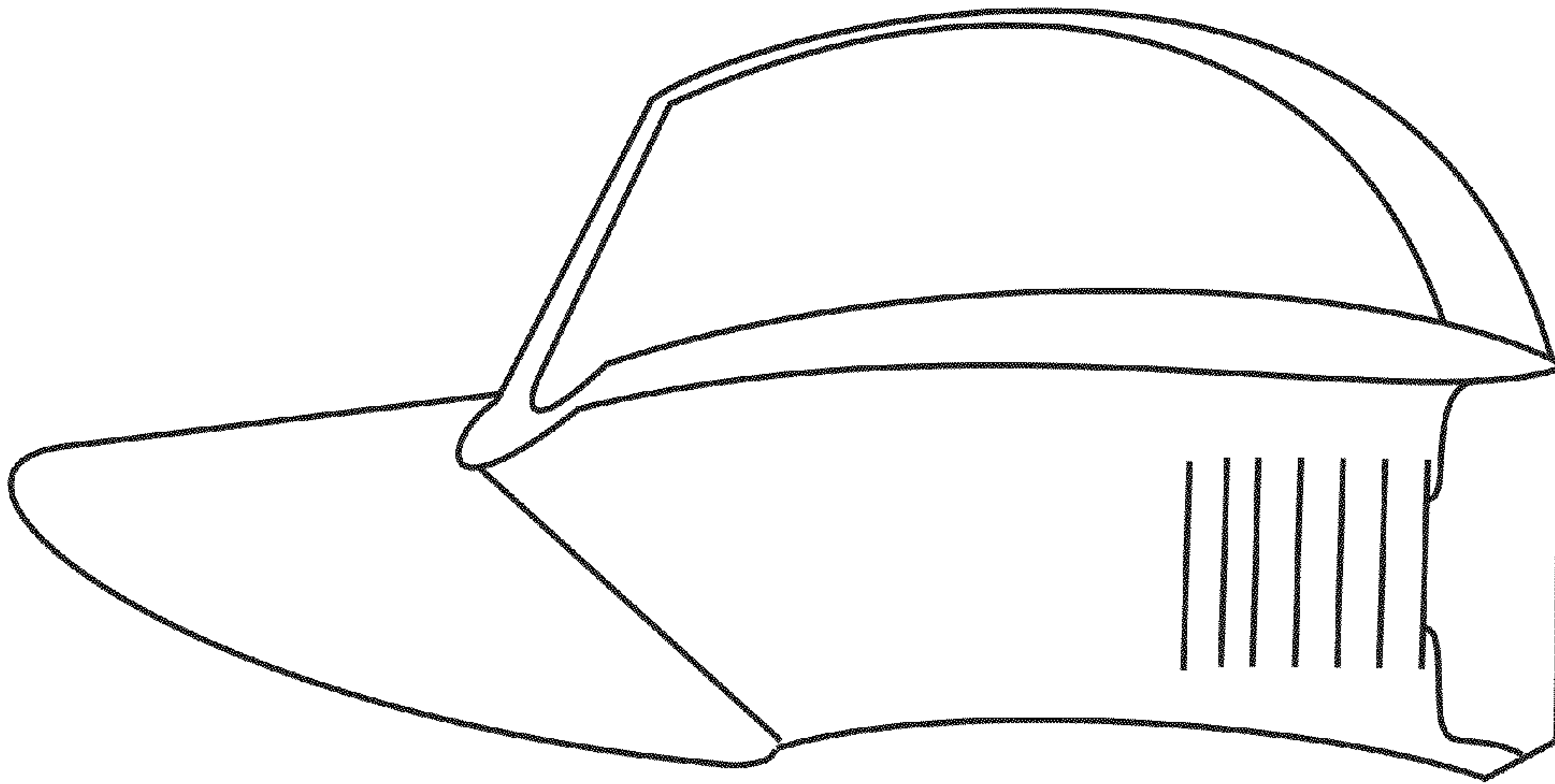


FIG. 5

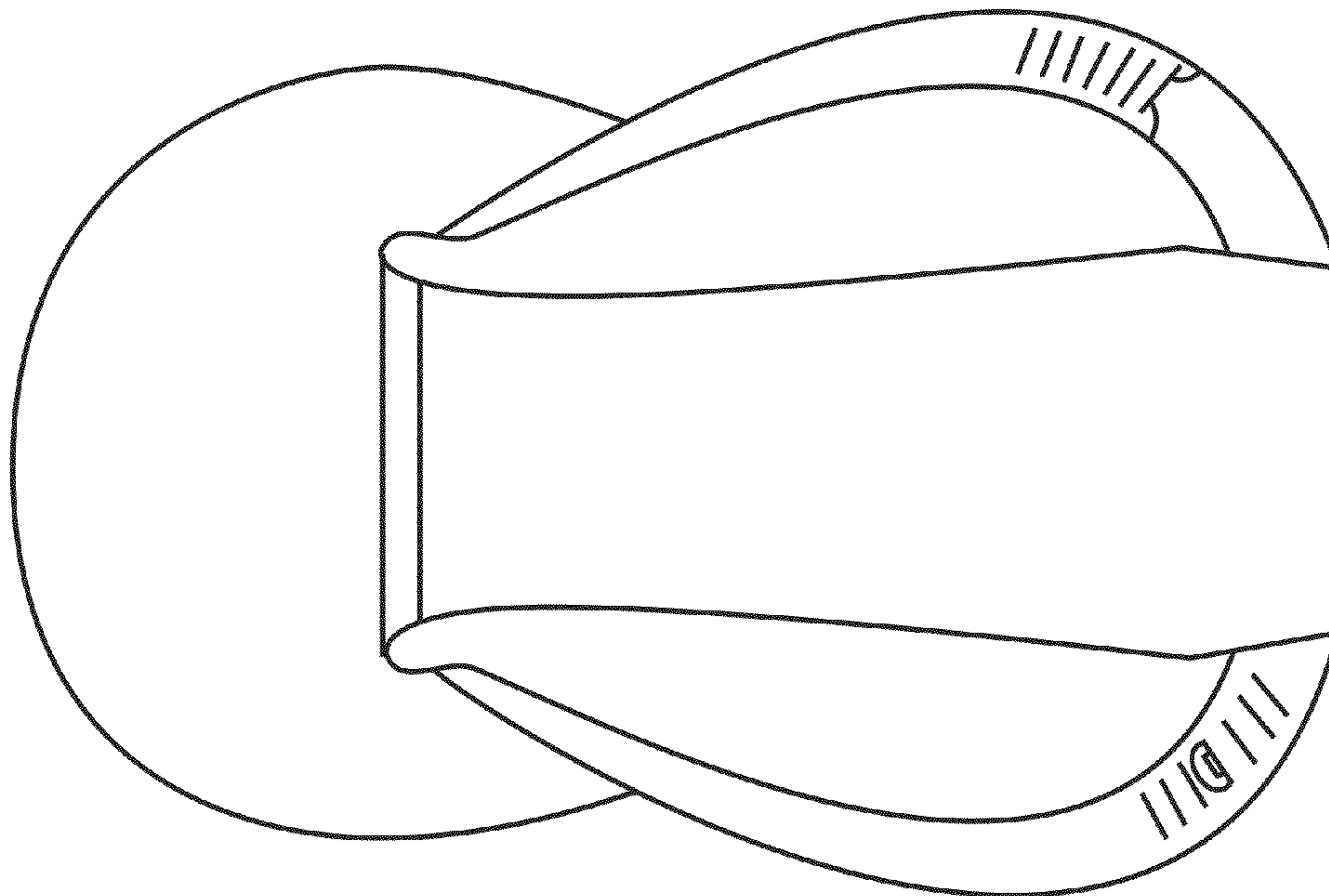


FIG. 6

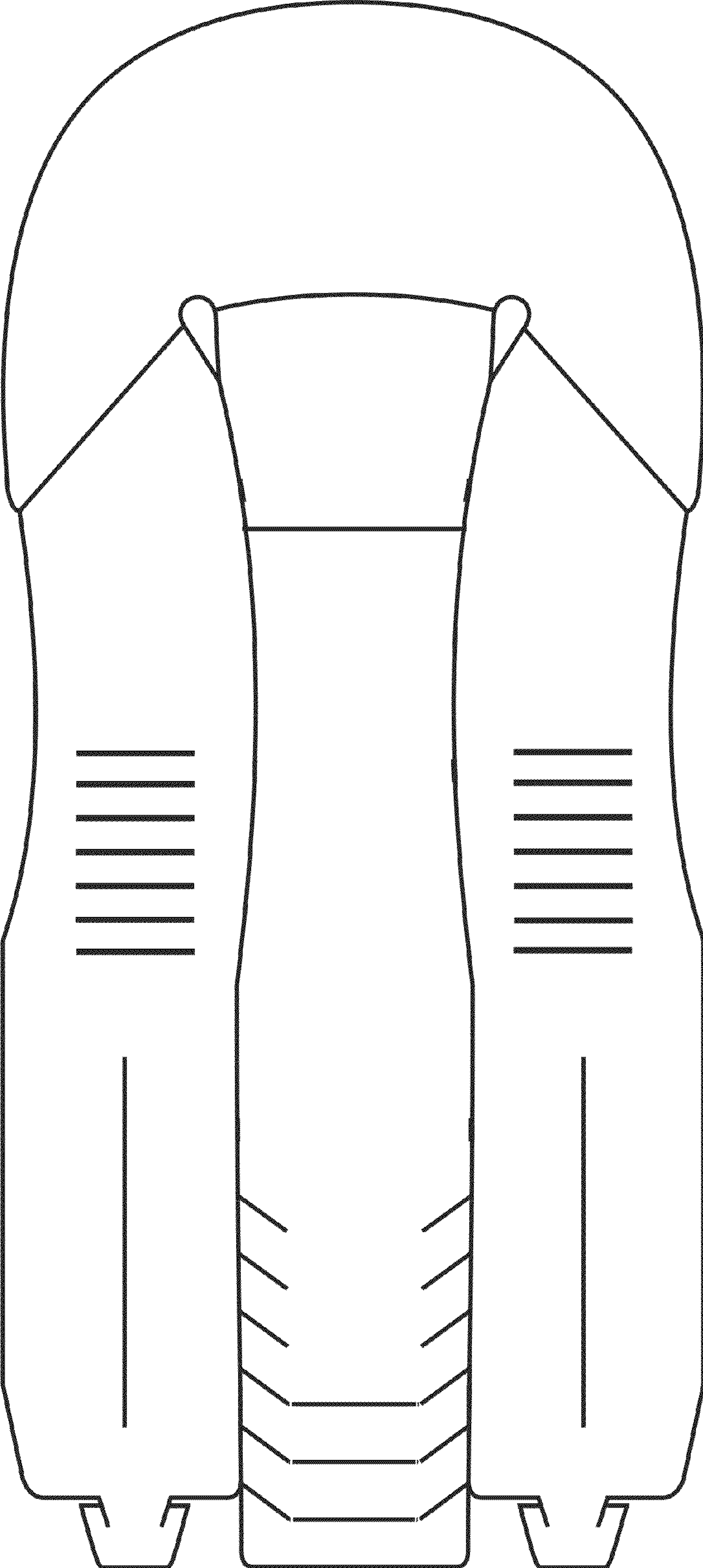


FIG. 7

Fig. 8

