



US00D682504S

(12) **United States Design Patent**
Lee et al.

(10) **Patent No.:** **US D682,504 S**
(45) **Date of Patent:** **** May 14, 2013**

(54) **AUTOMATED TELLER MACHINE**

(75) Inventors: **Hee Yeon Lee**, Seoul (KR); **Jae Min Cha**, Seoul (KR)

(73) Assignee: **Nautilus Hyosung Inc.**, Seoul (KR)

(**) Term: **14 Years**

(21) Appl. No.: **29/408,522**

(22) Filed: **Dec. 13, 2011**

(30) **Foreign Application Priority Data**

Jun. 15, 2011 (KR) 30-2011-0024436

(51) **LOC (9) Cl.** **20-01**

(52) **U.S. Cl.**
USPC **D99/28; D14/900; D14/901; D14/902**

(58) **Field of Classification Search** D99/28,
D99/34, 25, 36, 37, 43, 99; D14/300-307,
D14/900-902; D18/4.1-4.4; 205/0.8, 0.81,
205/0.815, 0.82, 0.83, 0.84; 101/66; 109/1 R,
109/1 V, 2, 23, 24.1, 25, 58, 58.5, 59 R, 66;
446/8-13; 361/679.1, 679.02, 679.04, 679.21,
361/679.57, 724; 235/379, 380, 381, 382,
235/382.5; 194/206; 705/43

See application file for complete search history.

(56) **References Cited**

U.S. PATENT DOCUMENTS

D360,734 S *	7/1995	Hall	D99/28
D360,735 S *	7/1995	Hall	D99/28
D360,739 S *	7/1995	Hall	D99/28
D388,229 S *	12/1997	Couch	D99/28
D405,833 S *	2/1999	Mussett	D20/1
D456,587 S *	4/2002	Kit et al.	D99/28
D492,080 S *	6/2004	Magee et al.	D99/28
D492,082 S *	6/2004	Magee et al.	D99/28
D530,880 S *	10/2006	Magee et al.	D99/28
D538,505 S *	3/2007	Kang et al.	D99/28

D558,425 S *	12/2007	Dias	D99/28
7,445,144 B2 *	11/2008	Schlabach et al.	235/379
7,513,420 B1 *	4/2009	Block et al.	235/379
D596,374 S *	7/2009	Kang et al.	D99/28
D597,275 S *	7/2009	Lee	D99/28
7,584,885 B1 *	9/2009	Douglass	235/379
D625,305 S *	10/2010	Bleck et al.	D14/307
D625,485 S *	10/2010	Lee et al.	D99/28
D629,585 S *	12/2010	Bleck et al.	D99/28
7,849,011 B1 *	12/2010	McCoy et al.	705/43
7,891,546 B1 *	2/2011	Steinbach et al.	235/375
7,926,712 B2 *	4/2011	Schlabach et al.	235/379
D637,595 S *	5/2011	Mizusugi	D14/307
7,959,072 B1 *	6/2011	Jenkins et al.	235/379

(Continued)

Primary Examiner — Elizabeth J Oswecki

(74) *Attorney, Agent, or Firm* — Fenwick & West LLP

(57) **CLAIM**

The ornamental design for an automated teller machine, as shown and described.

DESCRIPTION

FIG. 1 is a perspective view of an automated teller machine showing our new design.

FIG. 2 is a front view of the automated teller machine of FIG. 1.

FIG. 3 is a rear view of the automated teller machine of FIG. 1.

FIG. 4 is a left side view of the automated teller machine of FIG. 1.

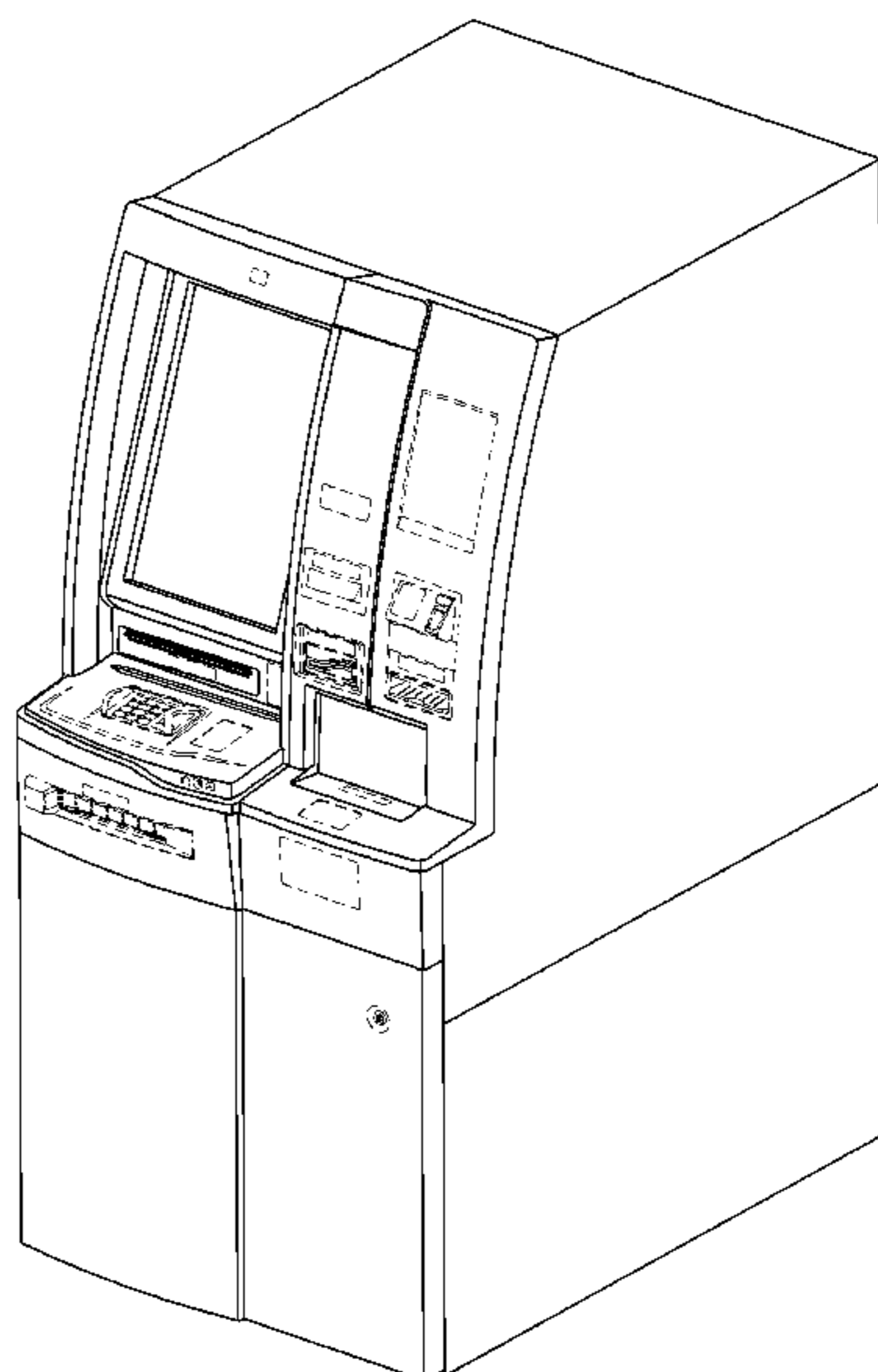
FIG. 5 is a right side view of the automated teller machine of FIG. 1.

FIG. 6 is a top view of the automated teller machine of FIG. 1; and,

FIG. 7 is a bottom view of the automated teller machine of FIG. 1.

Portions of the disclosure shown in broken lines form no part of the claimed design.

1 Claim, 7 Drawing Sheets



US D682,504 S

Page 2

U.S. PATENT DOCUMENTS

7,988,039 B1 *	8/2011	Muschellack et al.	235/379	D653,419 S *	1/2012	Rohan et al.	D99/28
D645,223 S *	9/2011	Bleck et al.	D99/28	D653,420 S *	1/2012	Rohan et al.	D99/28
D652,601 S *	1/2012	Rohan et al.	D99/28	D653,421 S *	1/2012	Rohan et al.	D99/28
D653,014 S *	1/2012	Rohan et al.	D99/28	D653,423 S *	1/2012	Rohan et al.	D99/28
D653,417 S *	1/2012	Rohan et al.	D99/28	D653,424 S *	1/2012	Rohan et al.	D99/28

* cited by examiner

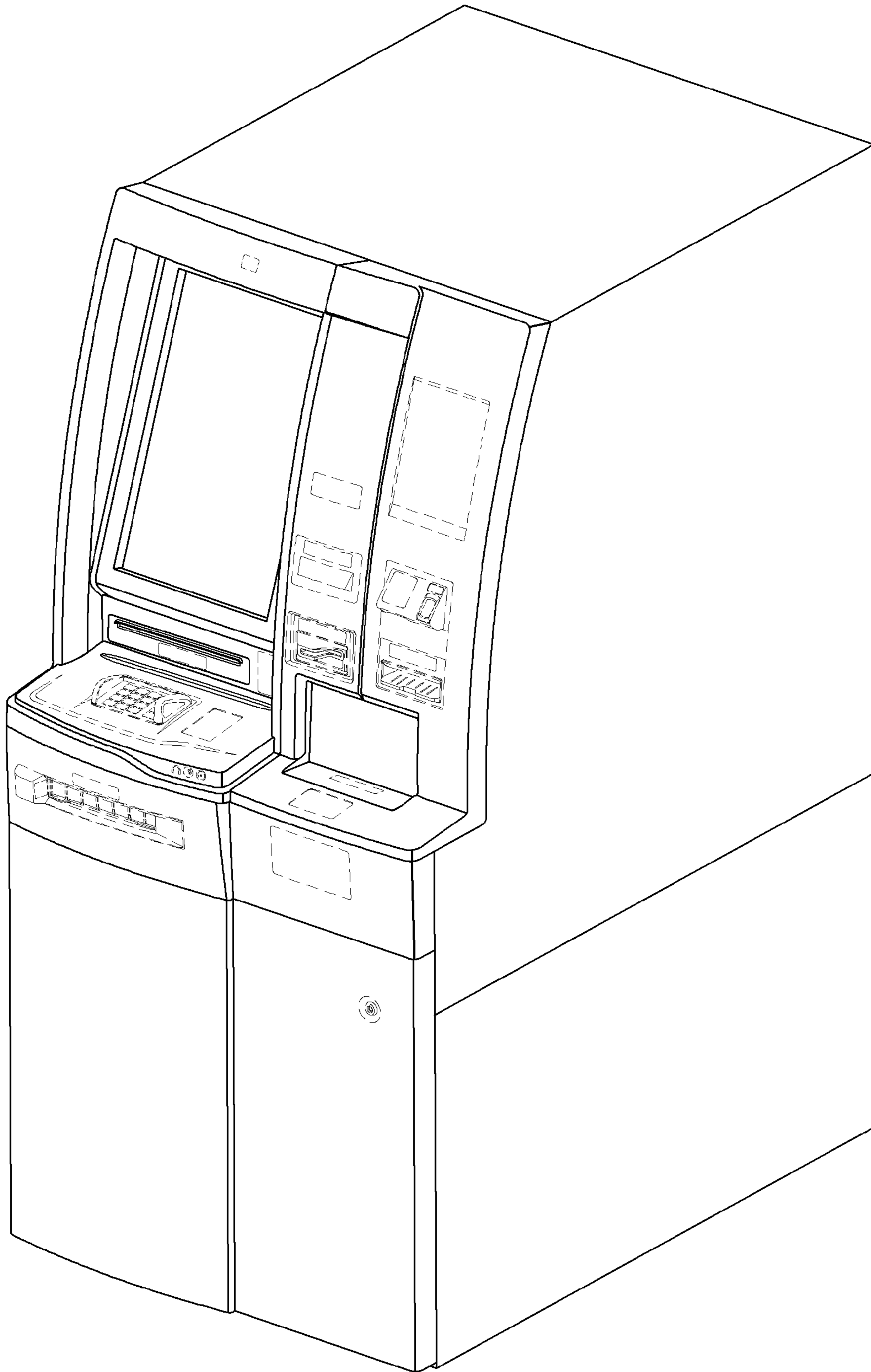


Figure 1

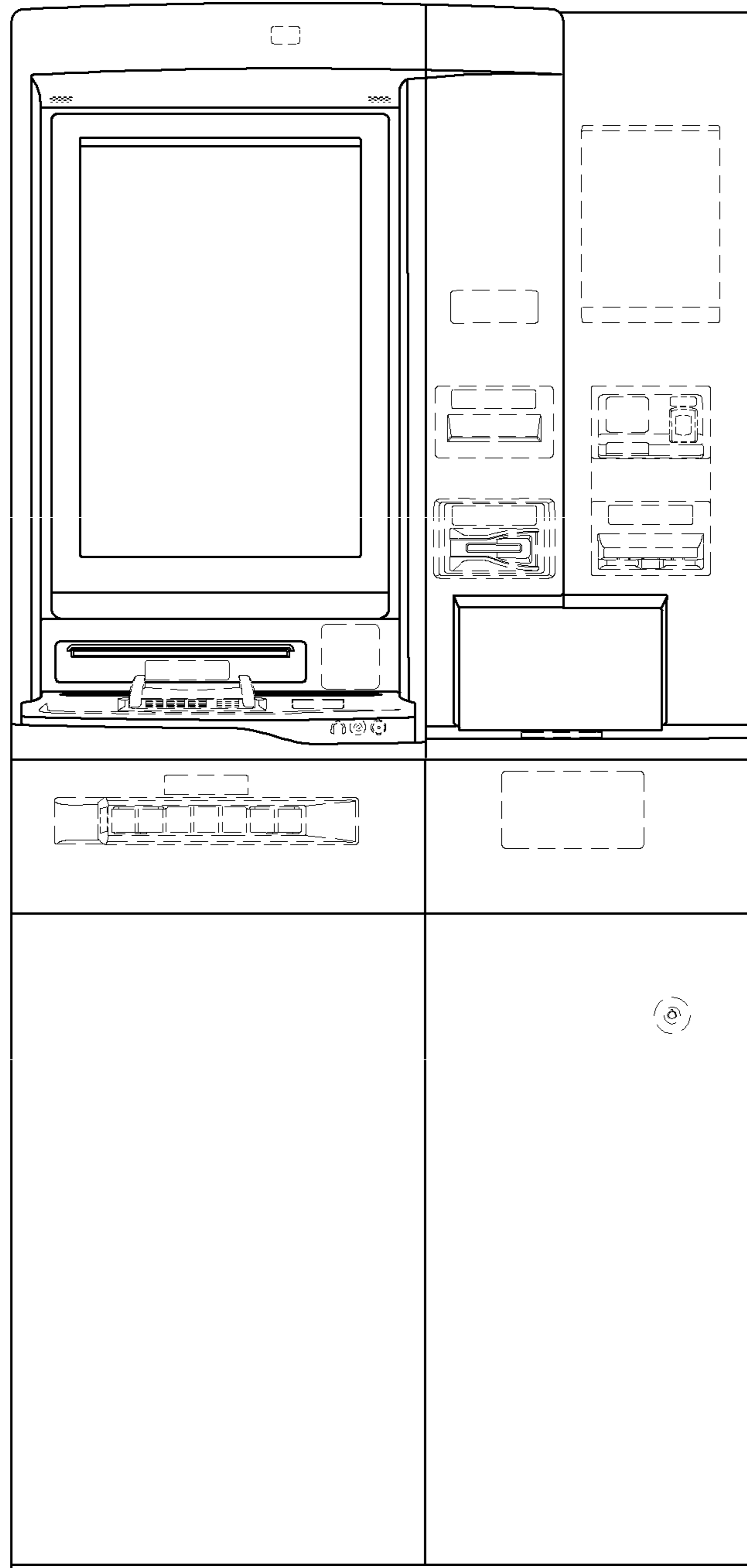


Figure 2

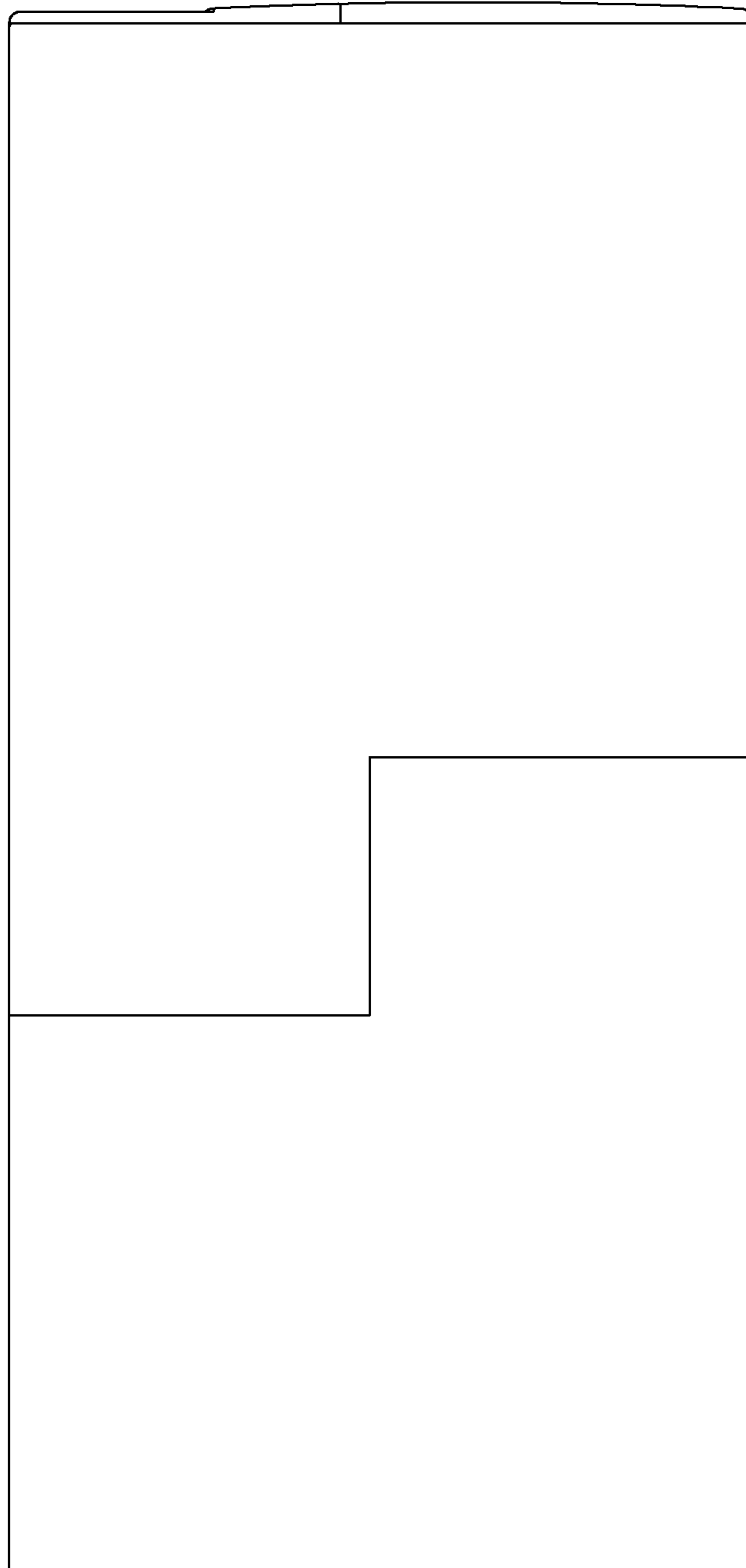


Figure 3

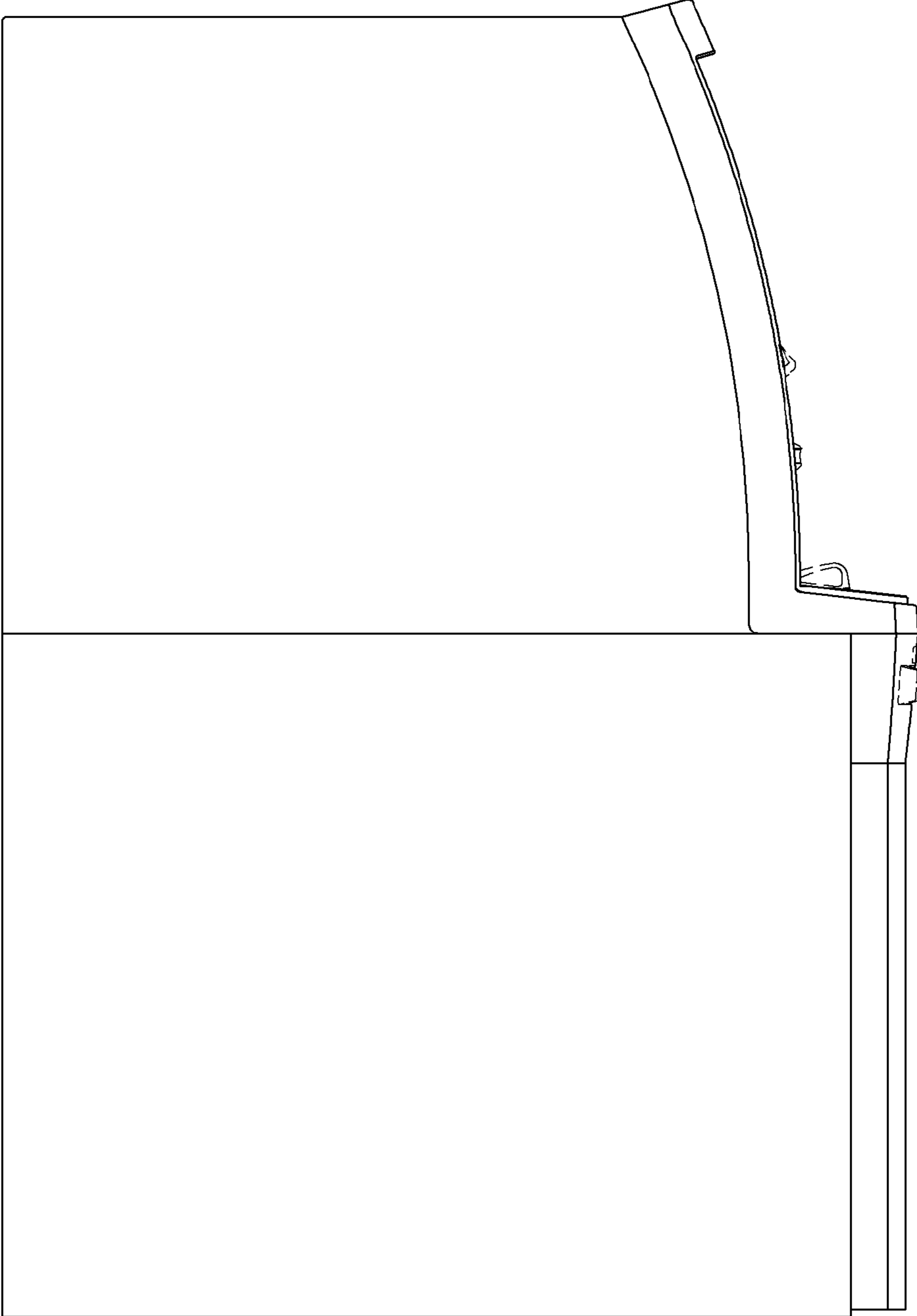


Figure 4

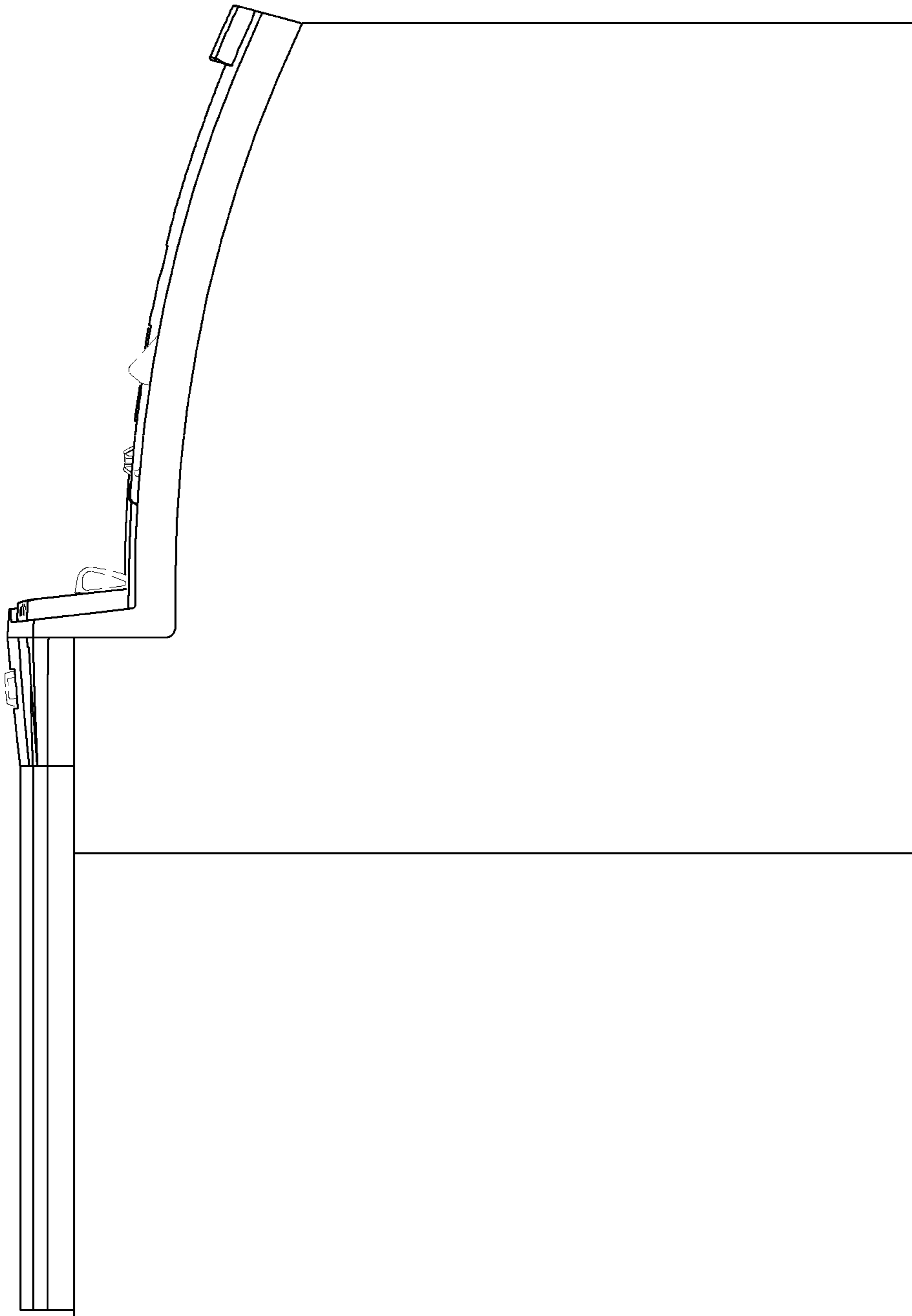


Figure 5

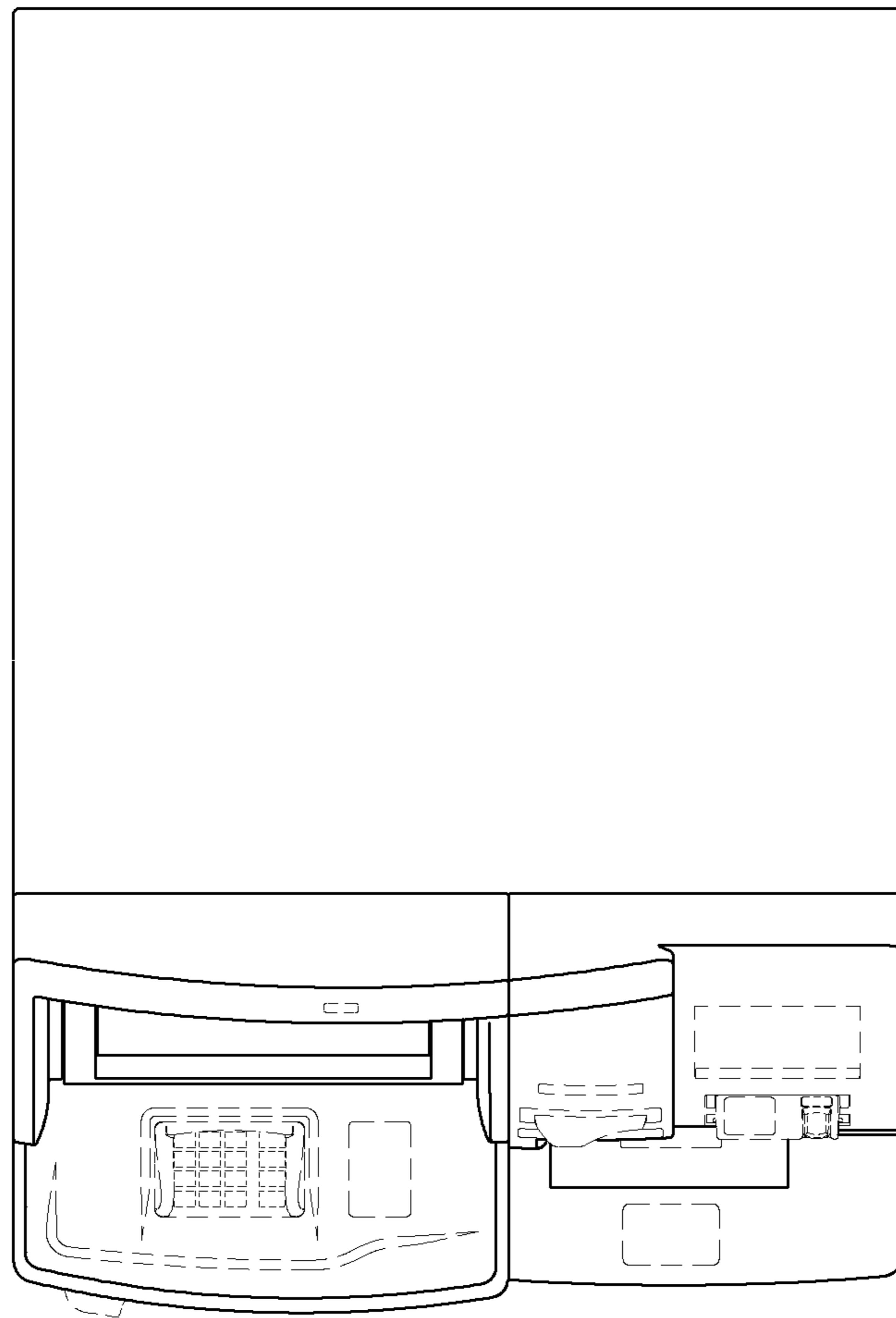


Figure 6

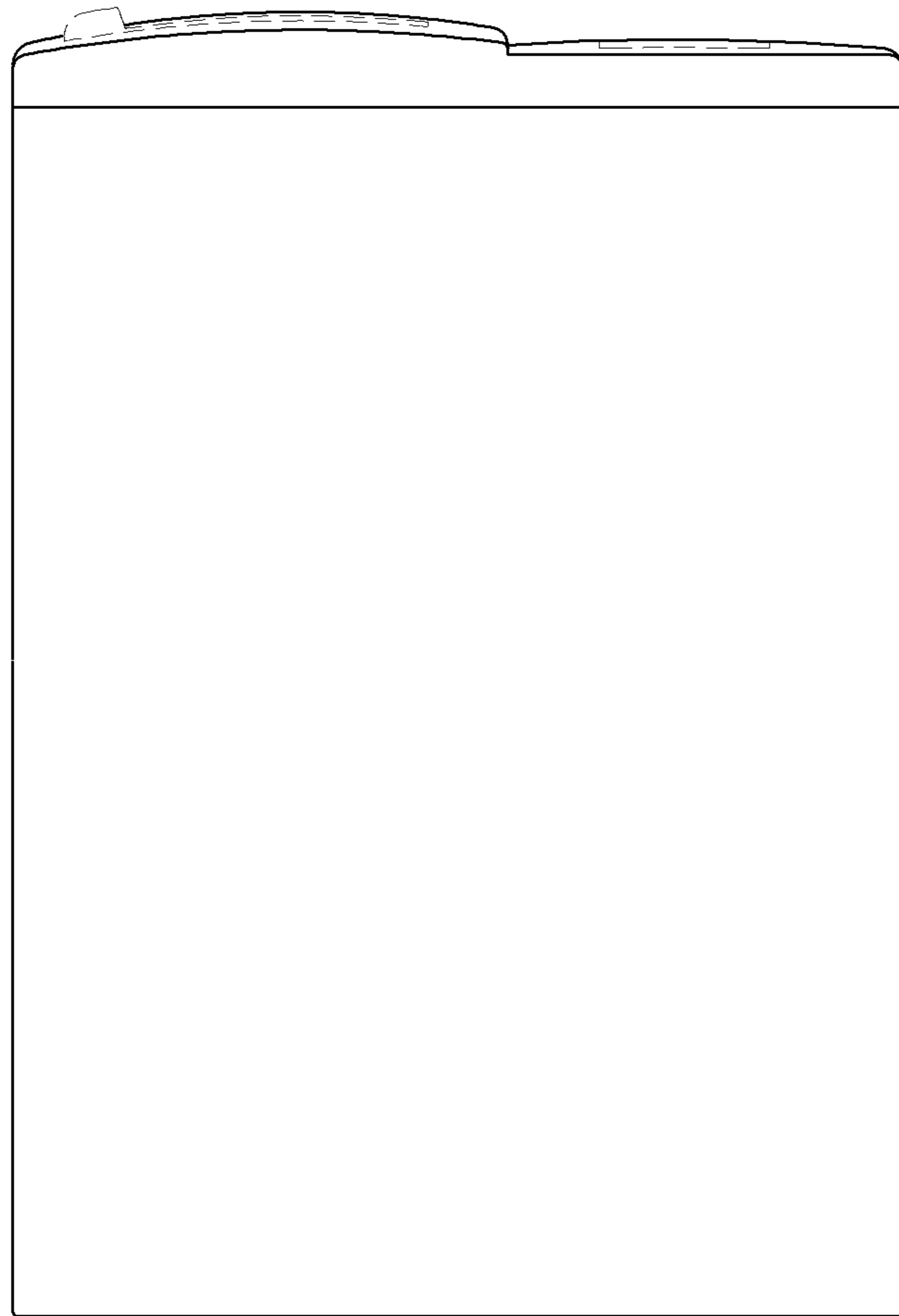


Figure 7