



US00D682503S

(12) **United States Design Patent**  
**Fehrman, Jr. et al.**

(10) **Patent No.:** **US D682,503 S**  
(45) **Date of Patent:** **\*\* May 14, 2013**

(54) **DRUM PALLET**

(75) Inventors: **Roy Lee Fehrman, Jr.**, Cambridge, OH (US); **David Paul Jones**, Warren, OH (US)

(73) Assignee: **The Fabri-Form Company**, New Concord, OH (US)

(\*\*) Term: **14 Years**

(21) Appl. No.: **29/424,705**

(22) Filed: **Jun. 14, 2012**

**Related U.S. Application Data**

(63) Continuation of application No. 12/753,224, filed on Apr. 2, 2010, now abandoned.

(51) **LOC (9) Cl.** ..... **09-08**

(52) **U.S. Cl.**  
USPC ..... **D34/38**

(58) **Field of Classification Search** ..... D34/38;  
108/51.11, 51.3, 52.1, 53.3, 53.5, 54.1, 55.1,  
108/55.3, 55.5, 57.13, 57.14; D9/456  
See application file for complete search history.

(56) **References Cited**

**U.S. PATENT DOCUMENTS**

3,628,468	A	12/1971	Angelbeck
3,636,888	A	1/1972	Angelbeck
3,946,897	A	3/1976	Wolff
3,948,190	A	4/1976	Cook
3,995,749	A	12/1976	Haskins
4,263,855	A	4/1981	Lawlor
4,838,419	A	6/1989	Weits
5,036,976	A	8/1991	Sechler
5,144,897	A	9/1992	Avery
5,147,039	A	9/1992	Sechler
D349,999	S	8/1994	Knight
5,361,923	A	11/1994	Knight

5,408,937	A	4/1995	Knight
D370,765	S	6/1996	Heintz
5,769,003	A	6/1998	Rose
5,857,416	A	1/1999	Donnell
D420,220	S	* 2/2000	Apps et al. .... D3/311
D465,417	S	* 11/2002	Apps ..... D9/456
D466,018	S	* 11/2002	Apps ..... D34/38

(Continued)

**FOREIGN PATENT DOCUMENTS**

WO 2010115069 10/2010

**OTHER PUBLICATIONS**

Screenshots of injection molded pallets from www.orbiscorporation.com (Nov. 29, 2012).

(Continued)

*Primary Examiner* — Cynthia Ramirez

(74) *Attorney, Agent, or Firm* — Dinsmore & Shohl LLP

(57) **CLAIM**

The ornamental design of a drum pallet, as shown and described.

**DESCRIPTION**

FIG. 1 shows a perspective view of a drum pallet showing our new design;

FIG. 2 shows a top plan view thereof;

FIG. 3 shows a side cross-sectional view thereof taken at line 3-3 of FIG. 2;

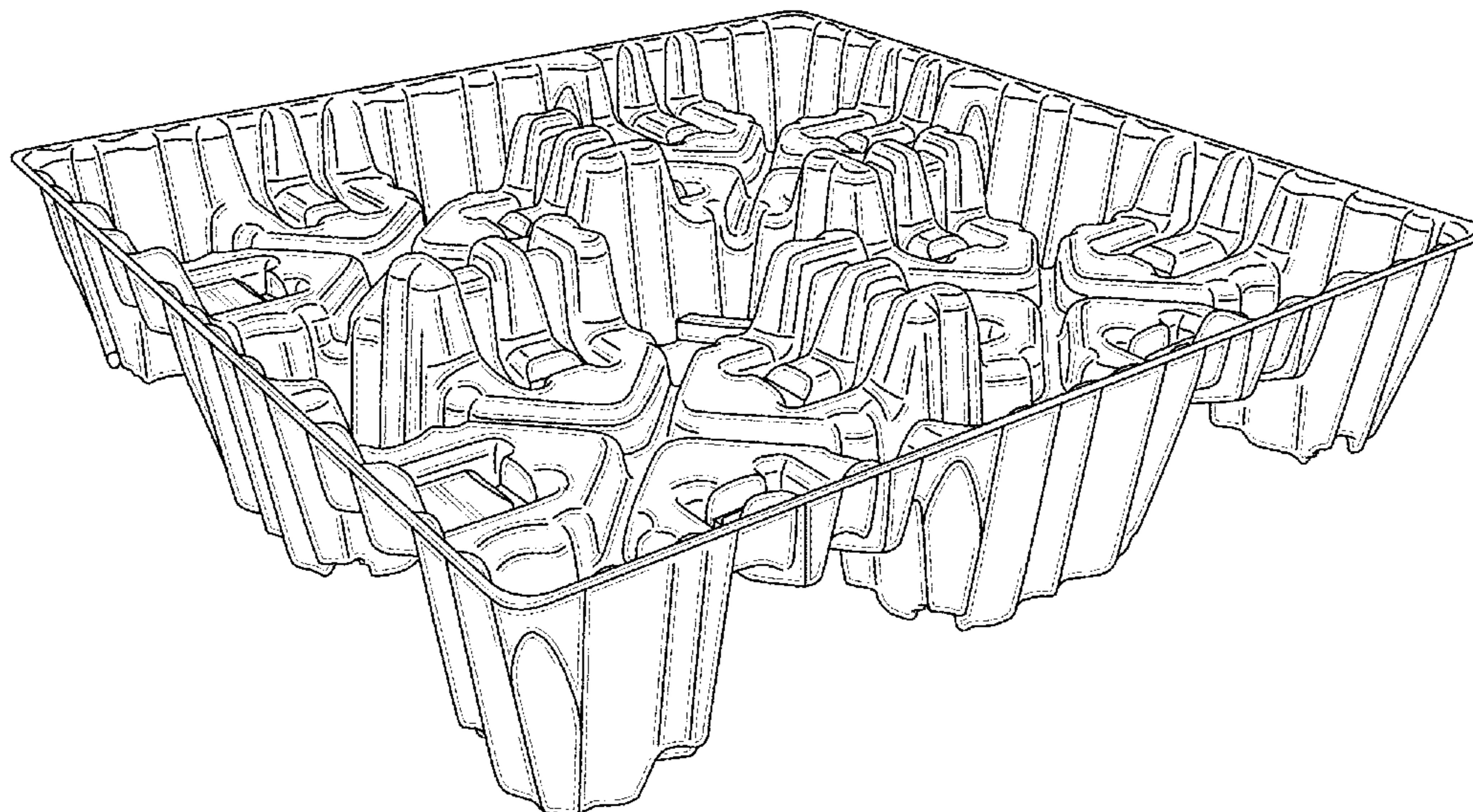
FIG. 4 shows a side cross-sectional view thereof taken at line 4-4 of FIG. 2;

FIG. 5 shows a bottom plan view thereof; and,

FIG. 6 shows a perspective view thereof along with a grouping of drums shown in broken lines.

The broken lines in FIG. 6 are shown for environmental purposes and form no part of the claimed design.

**1 Claim, 5 Drawing Sheets**



# US D682,503 S

Page 2

---

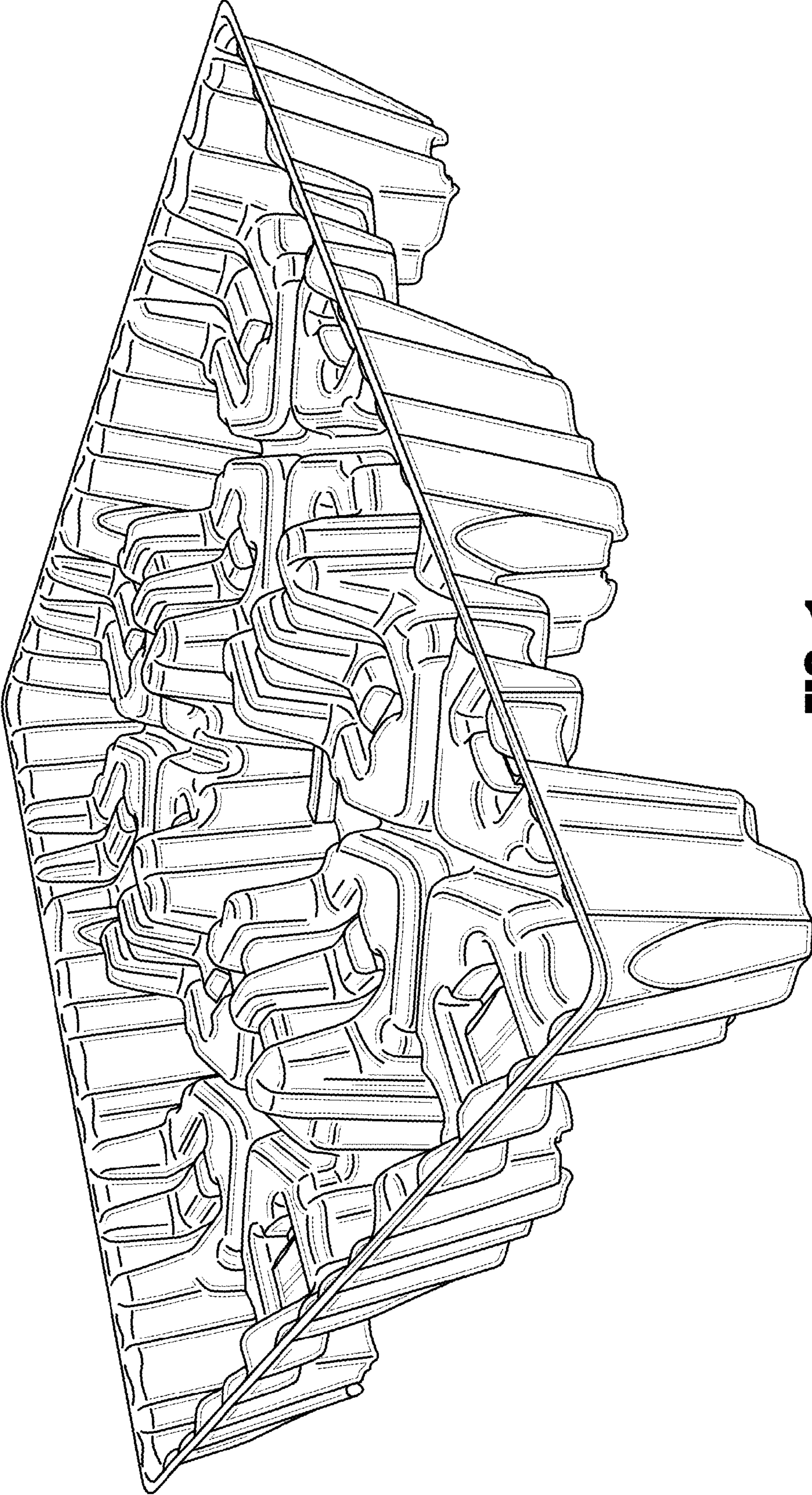
## U.S. PATENT DOCUMENTS

D494,867 S \* 8/2004 Apps ..... D9/456  
D513,104 S 12/2005 Harding  
6,997,113 B1 2/2006 Harding  
D590,715 S \* 4/2009 Gilfert ..... D9/456  
D603,574 S \* 11/2009 Knight et al. .... D34/38  
D607,174 S \* 12/2009 Schulte et al. .... D34/38  
D632,960 S \* 2/2011 Gilfert ..... D9/456  
2006/0272556 A1 12/2006 Apps  
2009/0016837 A1 1/2009 Baker

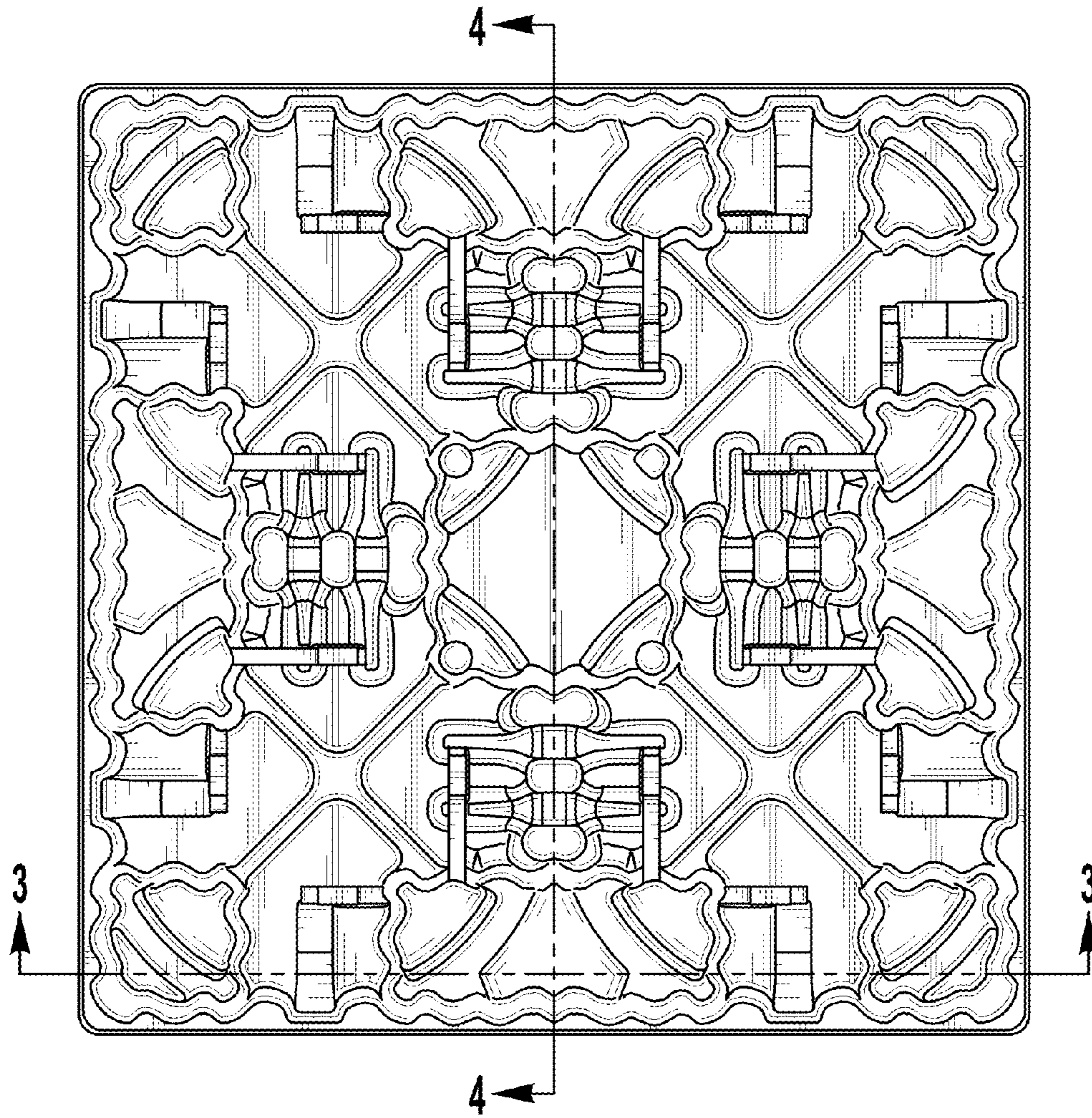
## OTHER PUBLICATIONS

Screenshots of injection molded pallets from www.uline.com (Nov. 29, 2012).  
International Search Report and Written Opinion in PCT/US10/29732, mailed Aug. 9, 2010 (6 pages).

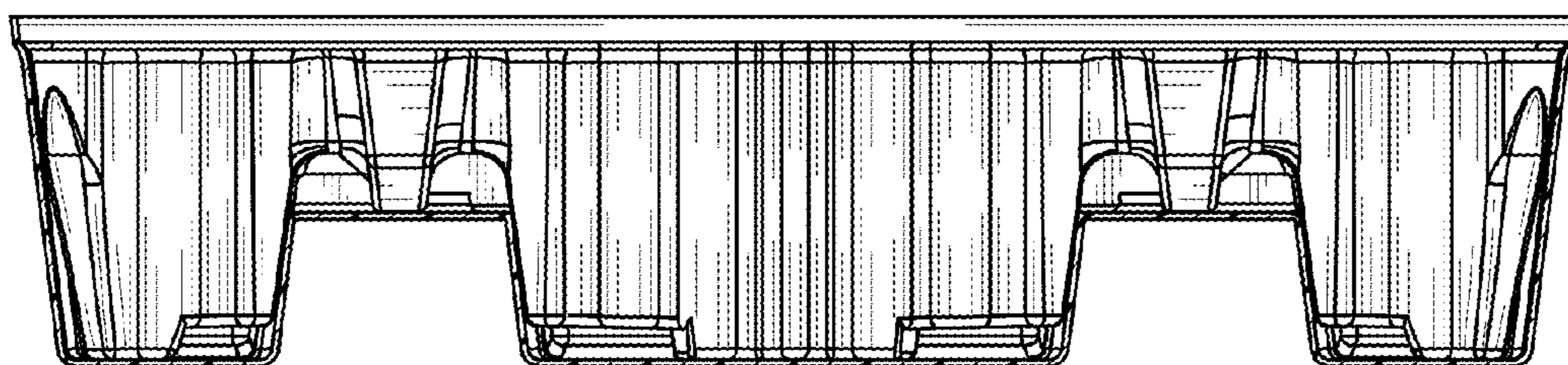
\* cited by examiner



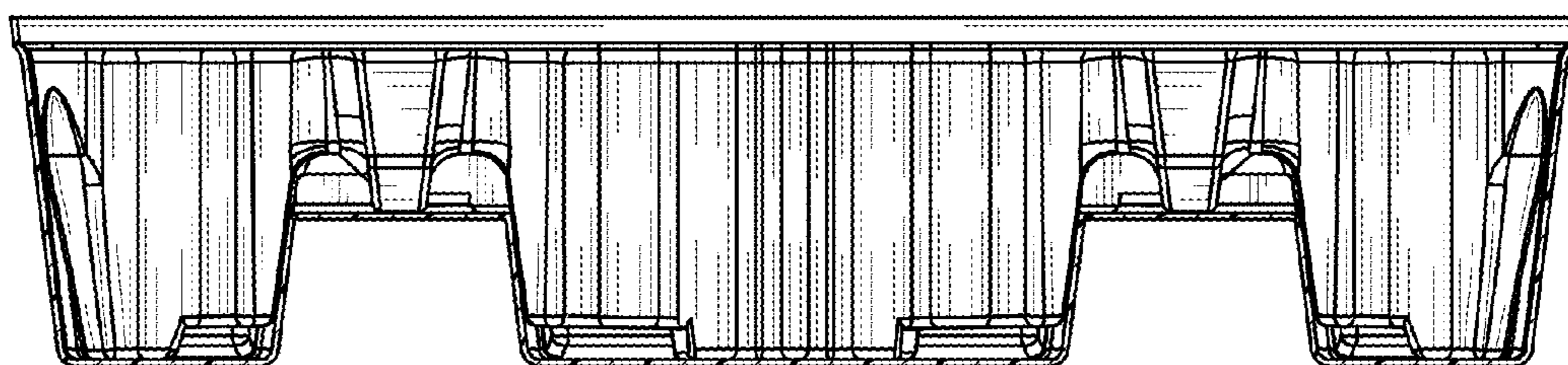
**FIG. 1**



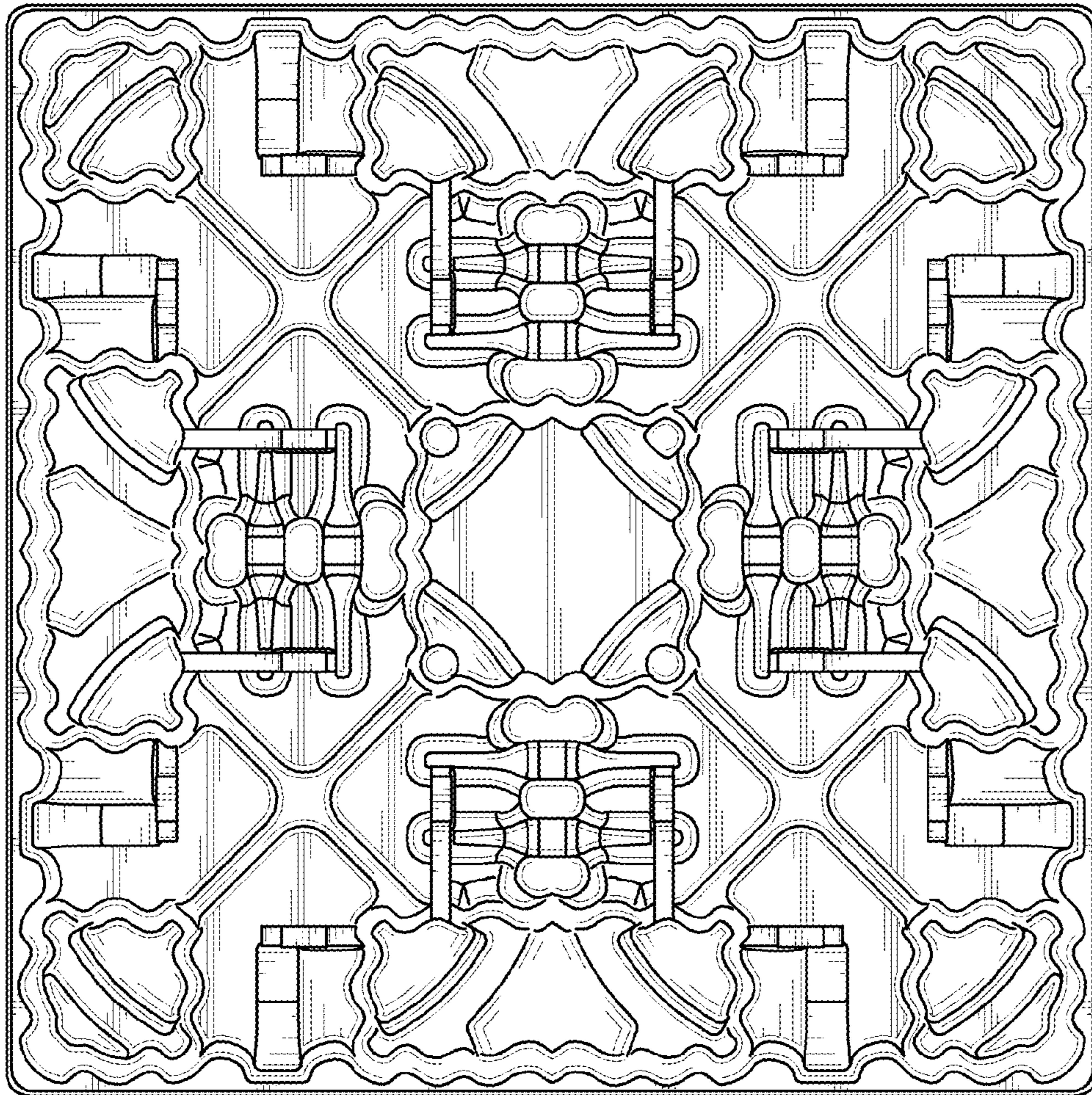
**FIG. 2**



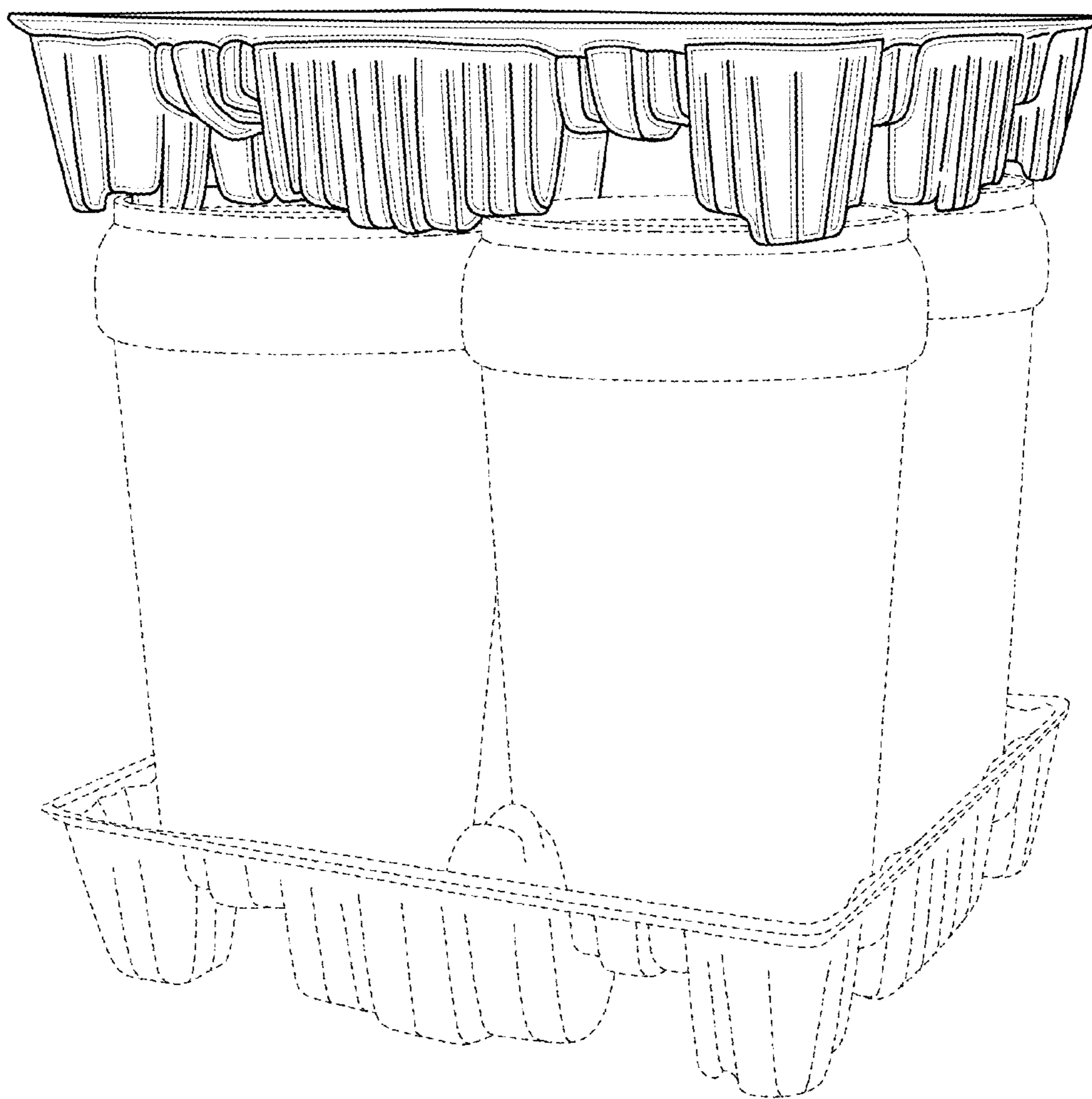
**FIG. 3**



**FIG. 4**



**FIG. 5**



**FIG. 6**