



US00D682502S

(12) **United States Design Patent**
Guido, III et al.

(10) **Patent No.:** **US D682,502 S**
(45) **Date of Patent:** **** May 14, 2013**

(54) **WET AREA BRIDGE**
(76) Inventors: **Nicholas A. Guido, III**, E. Freetown, MA (US); **Mark P. Bergeron**, Clifton, NY (US); **Mark J. Bergeron**, Marblehead, MA (US)
(**) Term: **14 Years**
(21) Appl. No.: **29/413,751**
(22) Filed: **Feb. 20, 2012**
(51) **LOC (9) Cl.** **12-05**
(52) **U.S. Cl.**
USPC **D34/32**
(58) **Field of Classification Search** D34/32;
254/88, 24; 14/69.5, 71.1; 414/537, 540,
414/541, 678, 921
See application file for complete search history.

4,839,935 A 6/1989 Calcagni et al.
D349,990 S * 8/1994 Schottel D34/32
5,579,864 A 12/1996 Shorrock
D384,483 S * 9/1997 Buckman D34/32
D415,575 S 10/1999 Nickel
6,446,275 B1 9/2002 Wright et al.
6,537,642 B1 3/2003 Jacquet
6,654,977 B1 * 12/2003 Chin 14/69.5
6,799,345 B2 10/2004 Occhiolini et al.
7,240,387 B1 7/2007 Berggren
7,571,507 B2 8/2009 Holicki
7,674,980 B2 * 3/2010 Lubanski 174/97
7,748,068 B2 7/2010 Carroll
7,861,346 B2 1/2011 Wilson
8,060,965 B2 11/2011 Yang et al.
D663,092 S * 7/2012 Blocker D34/32
8,250,693 B1 * 8/2012 Johnson et al. 14/71.3
2004/0107519 A1 6/2004 Grody
2009/0020305 A1 * 1/2009 Fidler 174/50

* cited by examiner

Primary Examiner — Cynthia Ramirez

(74) *Attorney, Agent, or Firm* — John P. McGonagle

(56) **References Cited**

U.S. PATENT DOCUMENTS

72,028 A 12/1867 Haase
542,531 A 7/1895 Ogle
596,867 A 1/1898 Frick
754,895 A 3/1904 Rose
1,139,240 A 5/1915 Viche
1,189,632 A * 7/1916 Seit 254/88
1,821,734 A 9/1931 Viche
1,838,746 A 12/1931 Day
2,208,080 A 7/1940 Overdorff
2,826,771 A 3/1958 Pruess, Sr.
2,851,311 A 9/1958 Gibbs
3,021,575 A 2/1962 Heisler
3,517,791 A 6/1970 Miles
D220,673 S 5/1971 Holbrook
3,768,108 A 10/1973 Wadsworth
4,226,064 A 10/1980 Kraayenhof
4,361,614 A 11/1982 Moffitt, Jr.
4,376,596 A 3/1983 Green

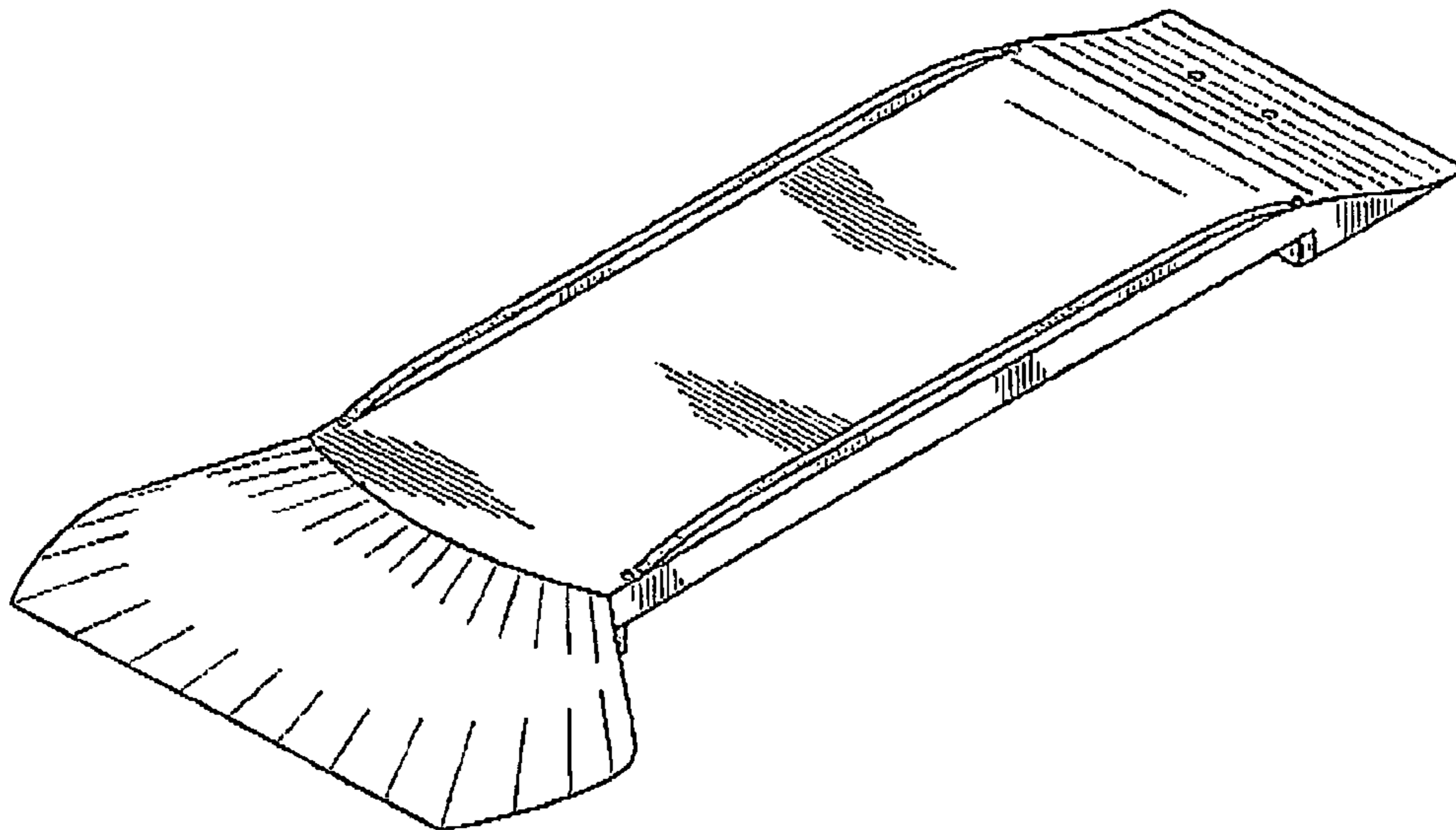
(57) **CLAIM**

The ornamental design for a wet area bridge, as shown.

DESCRIPTION

FIG. 1 is a front-top perspective view of a wet area bridge embodying my new design;
FIG. 2 is a bottom view thereof;
FIG. 3 is a front view thereof;
FIG. 4 is a top view thereof;
FIG. 5 is a rear view thereof; and,
FIG. 6 is a side view thereof, the opposite side being a mirror image thereof.
The portions of the wet area bridge shown in broken lines form no part of the claimed design.

1 Claim, 2 Drawing Sheets



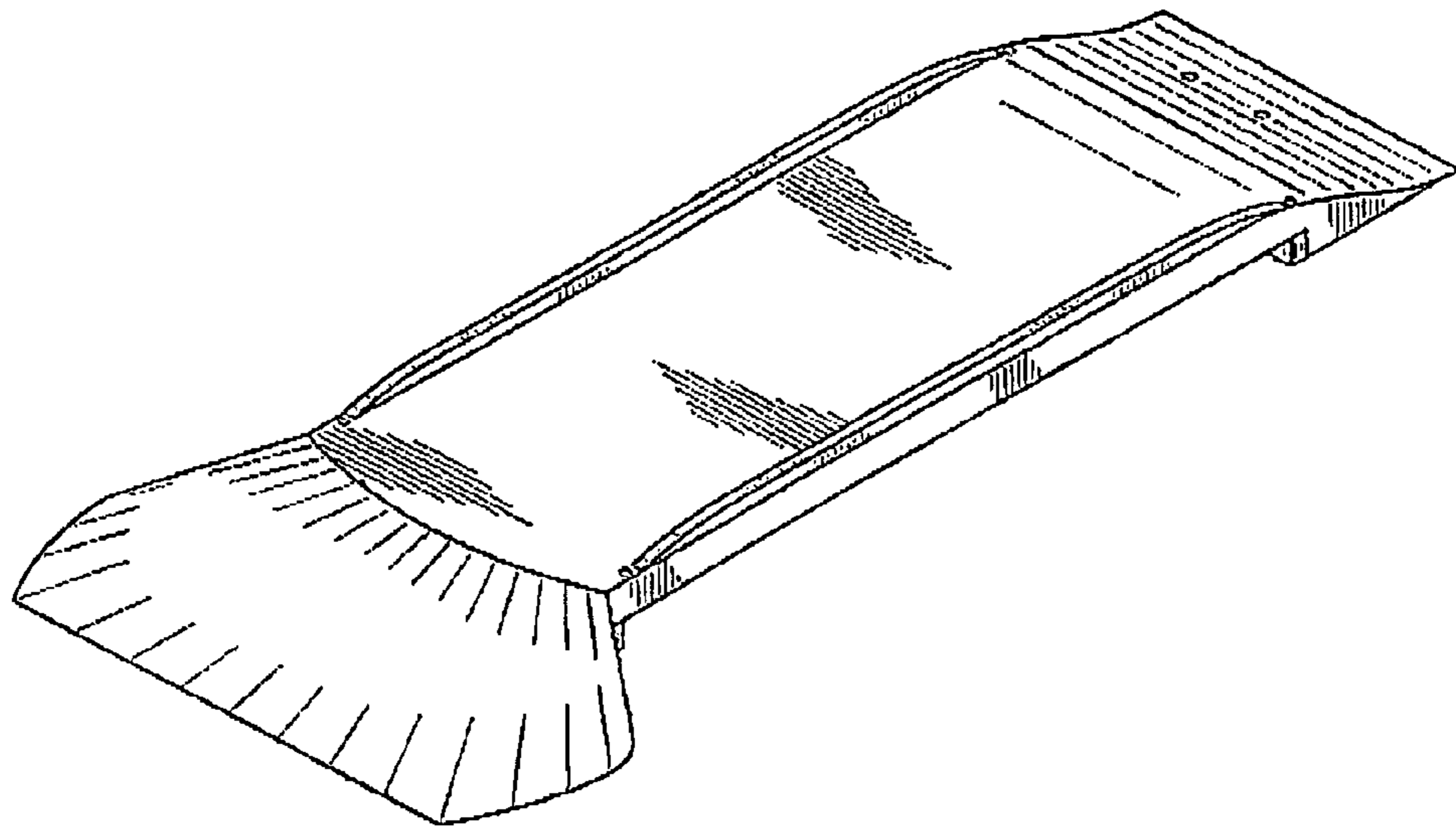


FIG. 1

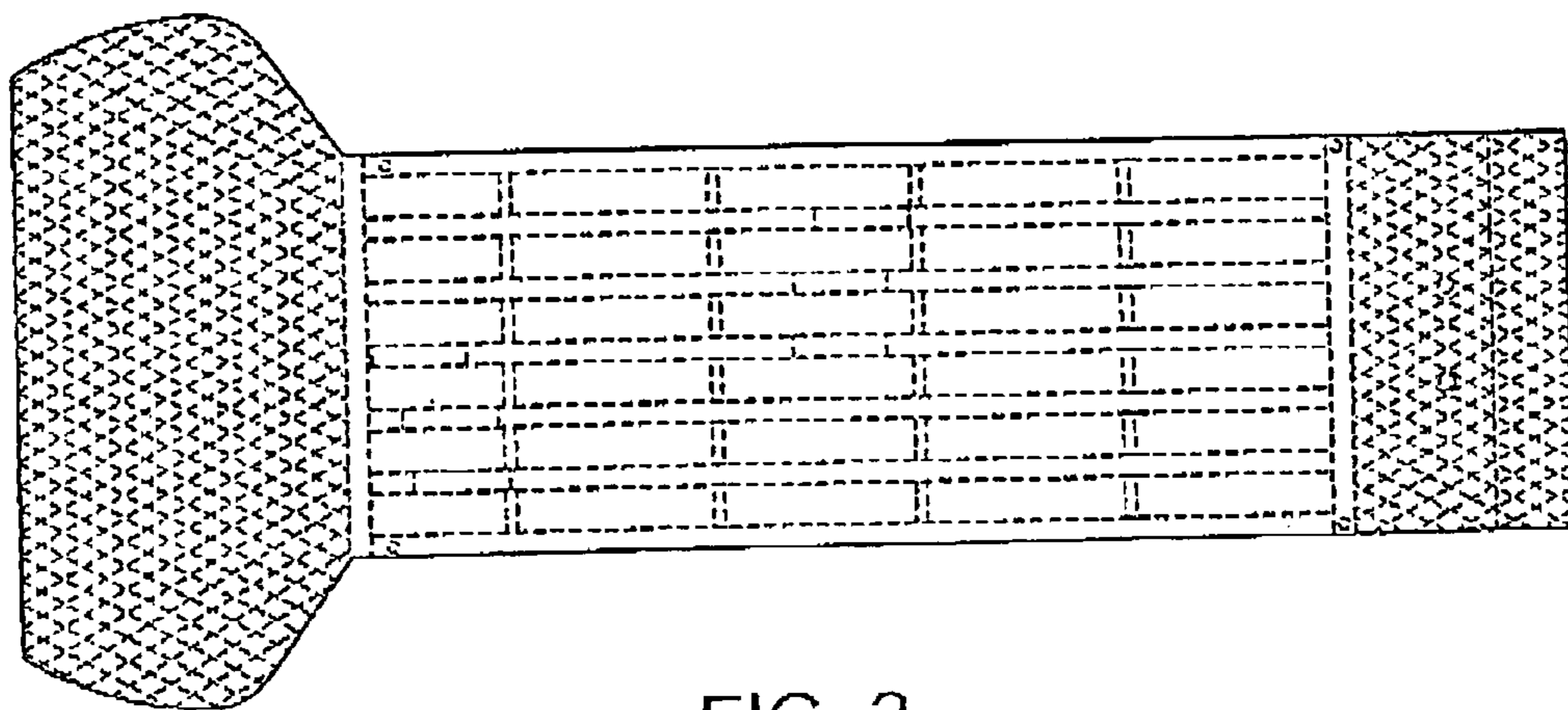


FIG. 2

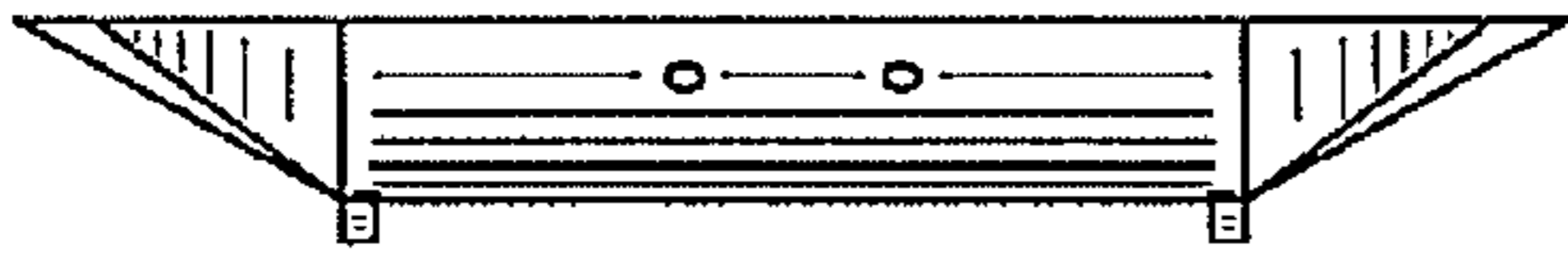


FIG. 5

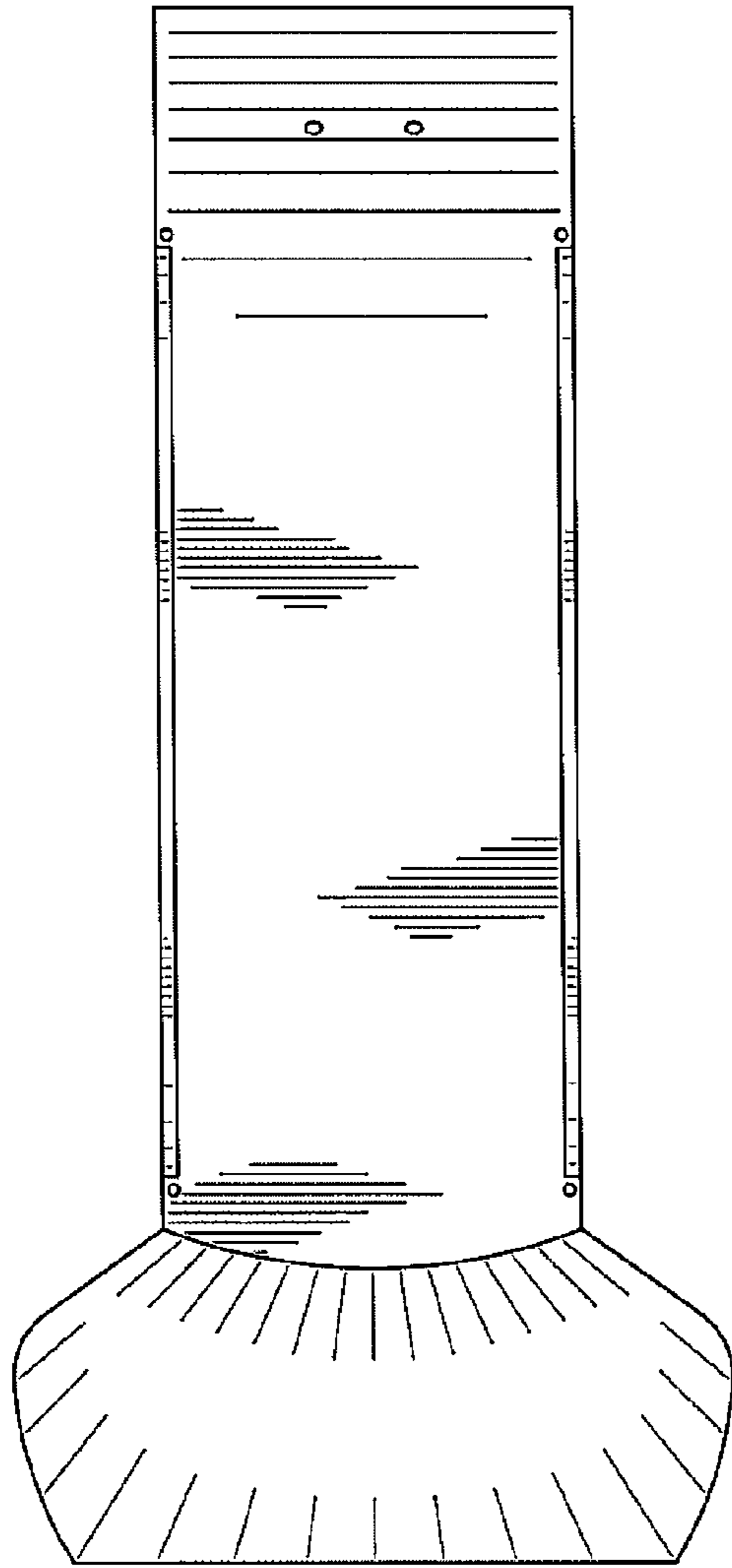


FIG. 4

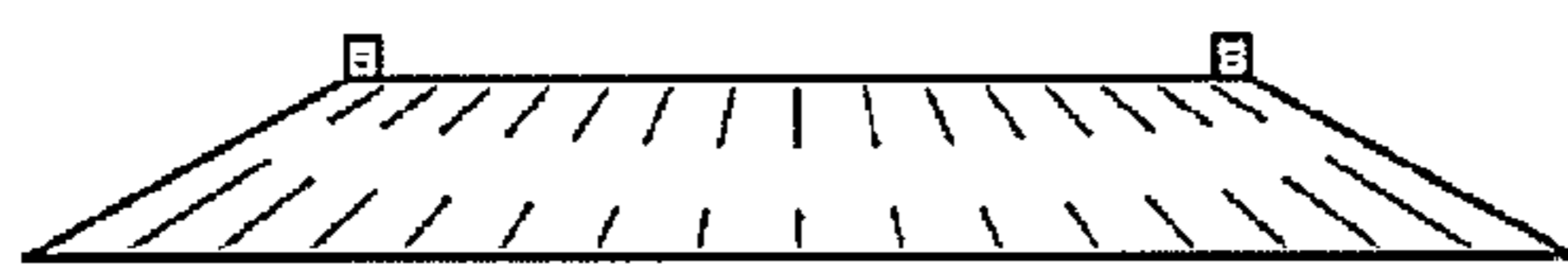


FIG. 3

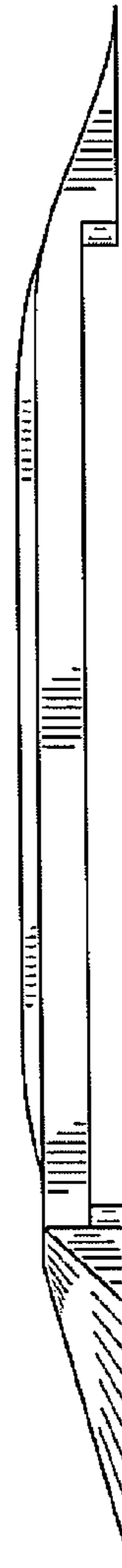


FIG. 6