



US00D682501S

(12) **United States Design Patent**  
**Shen et al.**

(10) **Patent No.:** **US D682,501 S**

(45) **Date of Patent:** **\*\* May 14, 2013**

(54) **ALUMINUM ALLOY JACK**

(75) Inventors: **Min Shen**, Jiangsu (CN); **Liang Chen**,  
Jiangsu (CN)

(73) Assignee: **Changshu Tongrun Auto Accessory**  
**Co., Ltd.** (CN)

(\*\*) Term: **14 Years**

(21) Appl. No.: **29/418,174**

(22) Filed: **Apr. 12, 2012**

(30) **Foreign Application Priority Data**

Jul. 12, 2011 (CN) ..... 2011 3 0462304

(51) **LOC (9) Cl.** ..... **12-05**

(52) **U.S. Cl.**  
USPC ..... **D34/31**

(58) **Field of Classification Search** ..... D34/31,  
D34/28; 254/8 B, 84, 11, 93 H, 2 B, 88,  
254/DIG. 3, 45, 94

See application file for complete search history.

(56) **References Cited**

U.S. PATENT DOCUMENTS

D358,923	S	*	5/1995	Hawkins	.....	D34/31
D421,516	S	*	3/2000	Hung	.....	D34/31
D531,377	S	*	10/2006	Liu	.....	D34/31
D561,422	S	*	2/2008	Kuen	.....	D34/31
D604,025	S	*	11/2009	Lin	.....	D34/31
D628,760	S	*	12/2010	Fox et al.	.....	D34/31

\* cited by examiner

*Primary Examiner* — Cynthia Ramirez

(74) *Attorney, Agent, or Firm* — Hayes Soloway P.C.

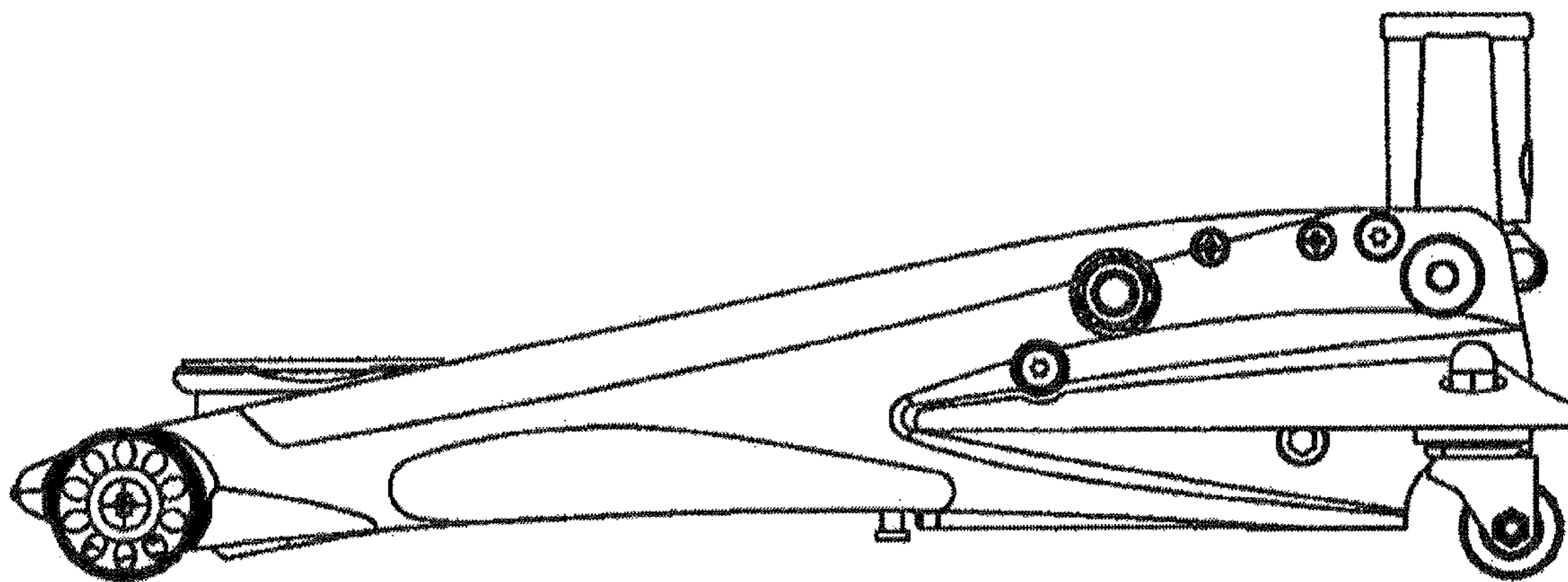
(57) **CLAIM**

The ornamental design for an aluminum alloy jack, as shown and described.

**DESCRIPTION**

FIG. 1 is a front elevational view of the aluminum alloy jack; FIG. 2 is a rear elevational view of the aluminum alloy jack; FIG. 3 is a left side elevational view of the aluminum alloy jack; FIG. 4 is a right side elevational view of the aluminum alloy jack; FIG. 5 is a top plan view of the aluminum alloy jack; FIG. 6 is a bottom plan view of the aluminum alloy jack; and, FIG. 7 is perspective view of the aluminum alloy jack.

**1 Claim, 7 Drawing Sheets**



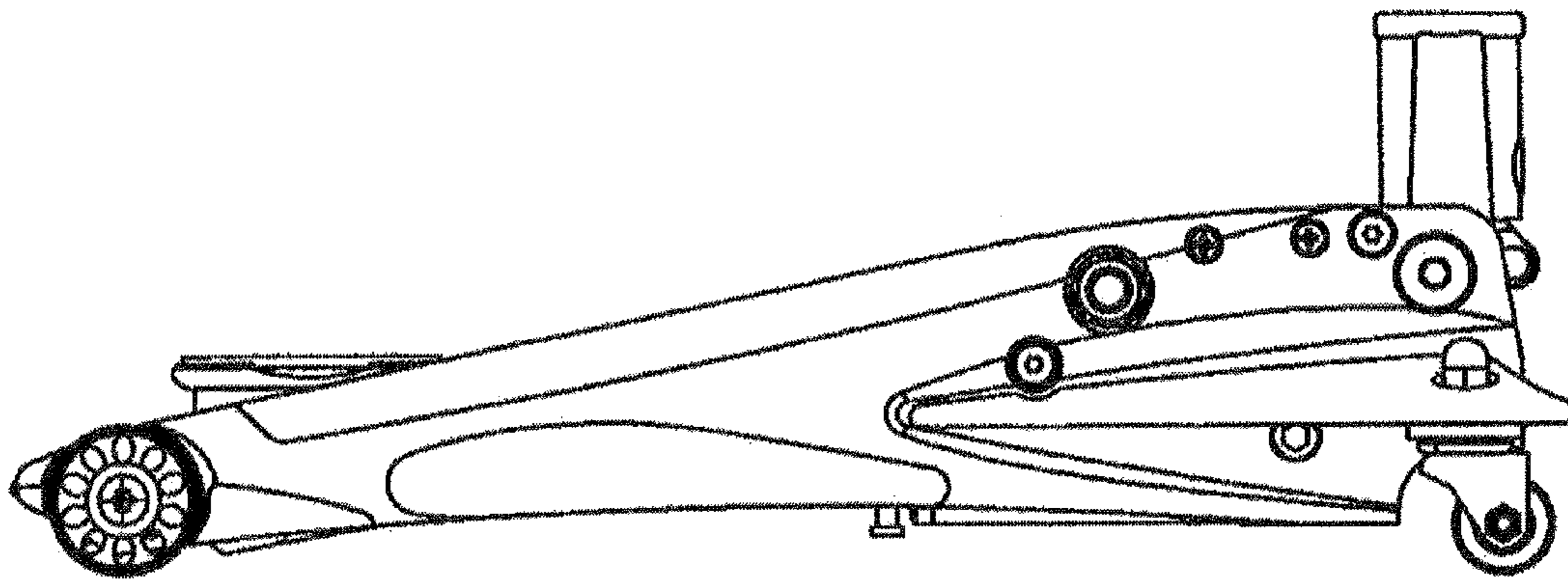


FIG. 1

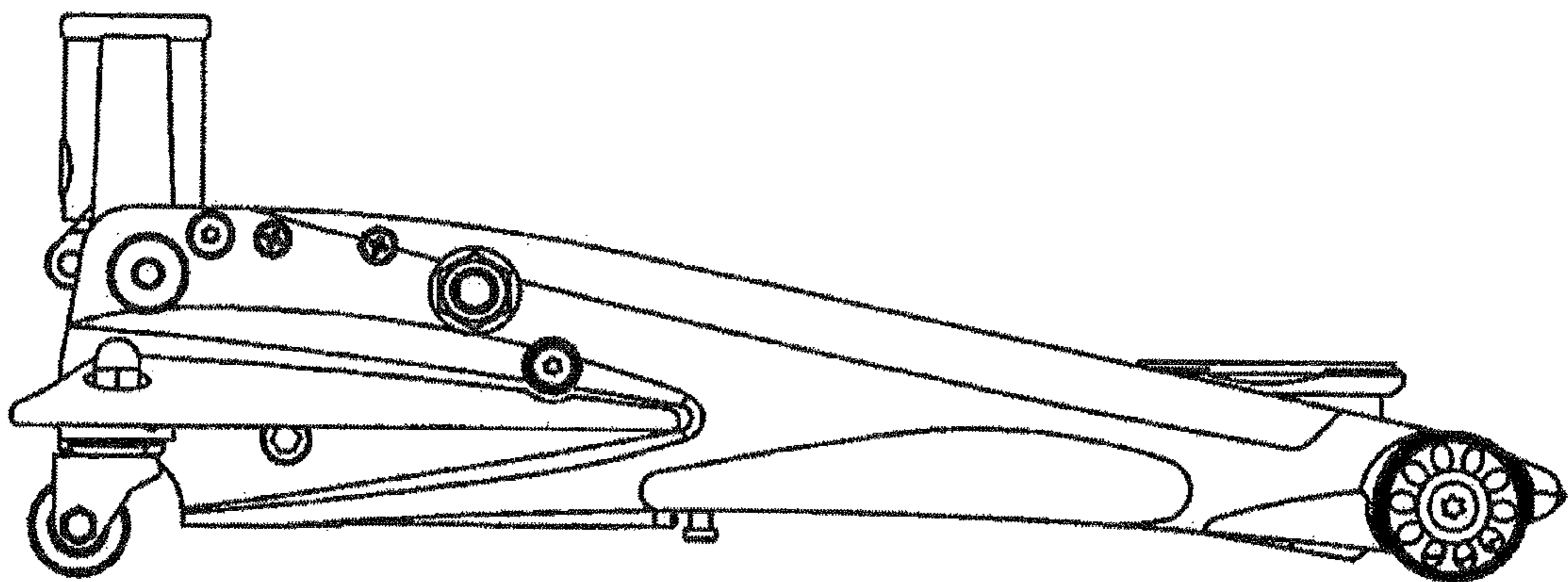


FIG. 2

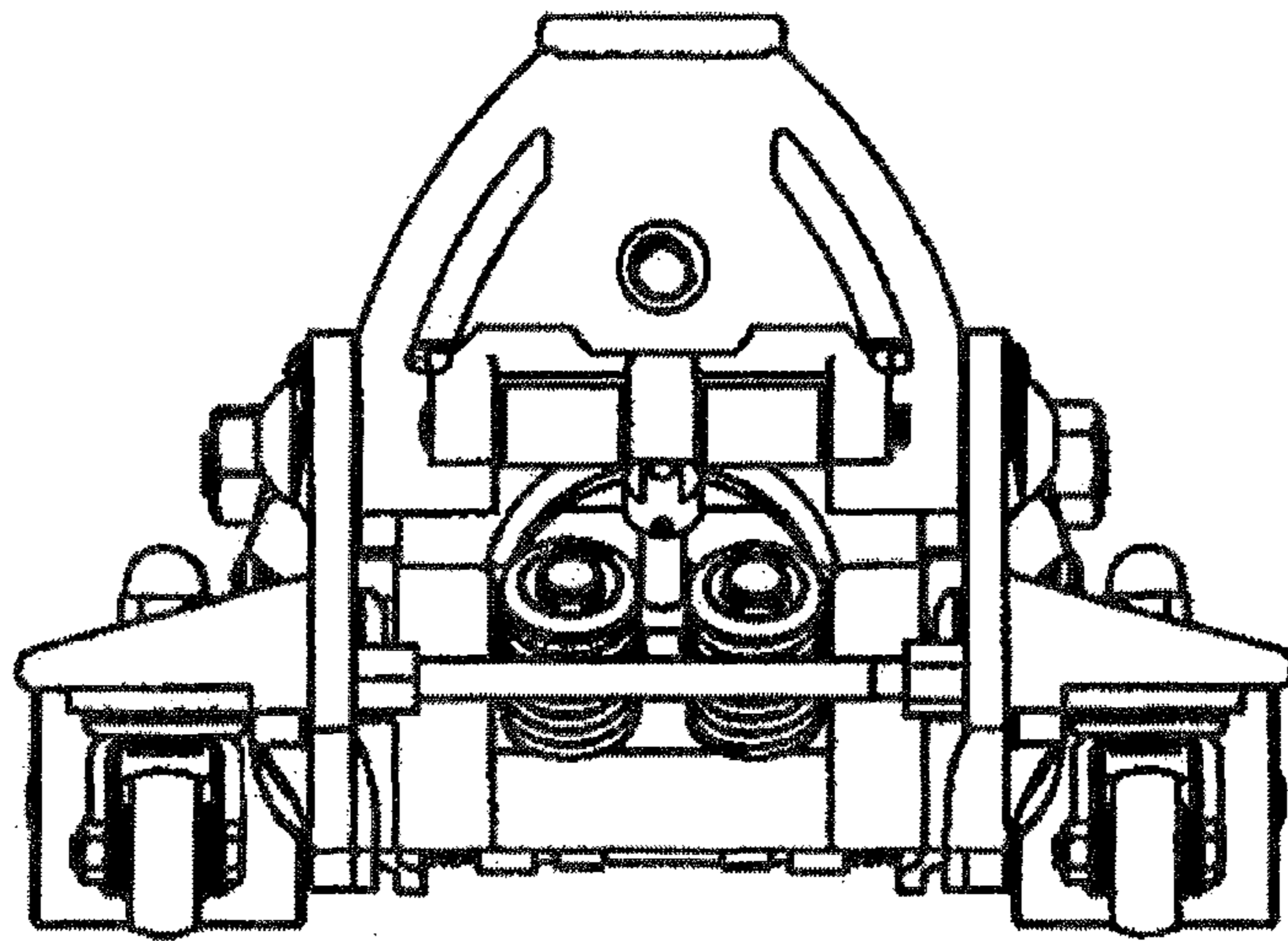


FIG. 3

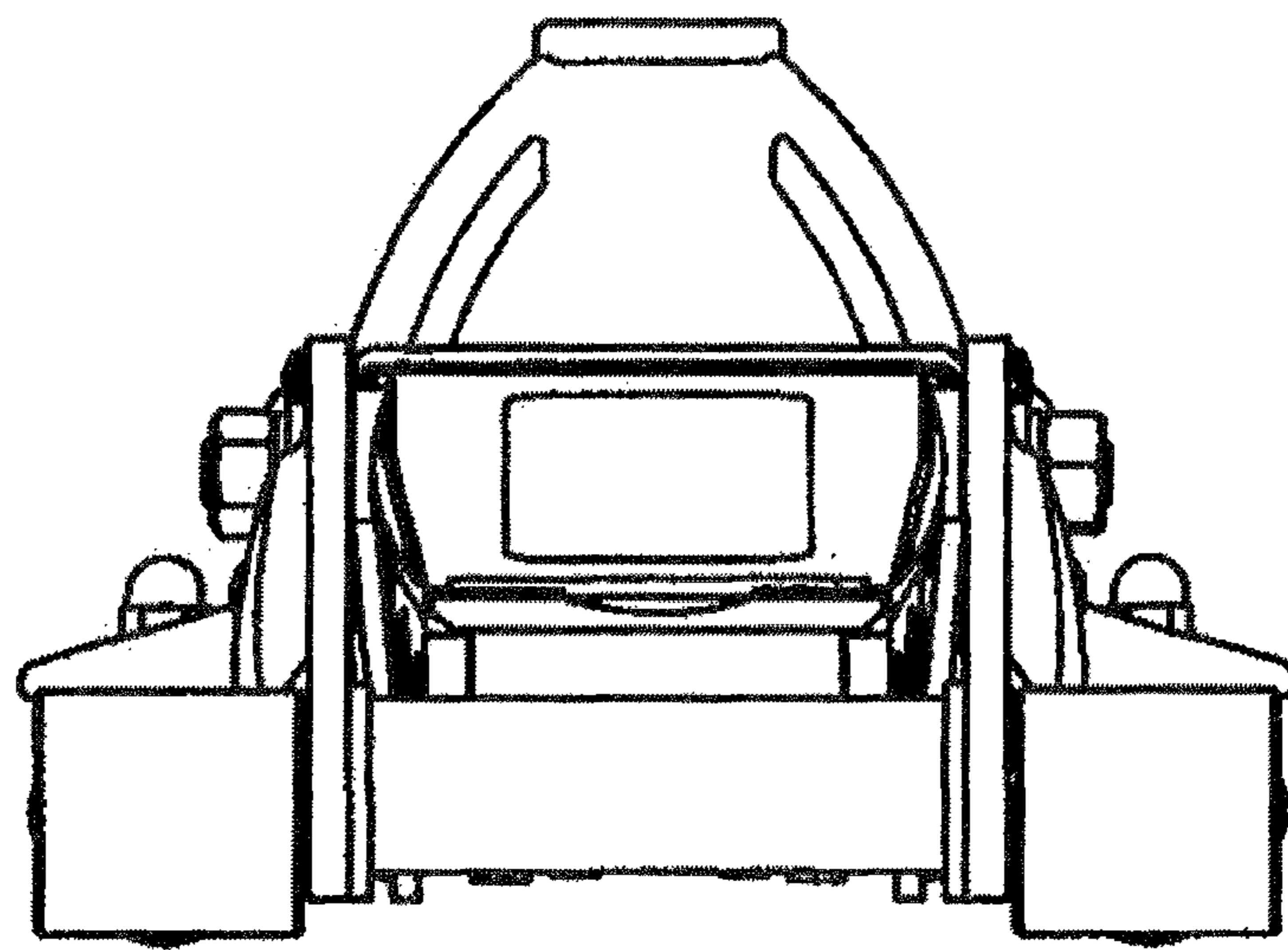


FIG. 4



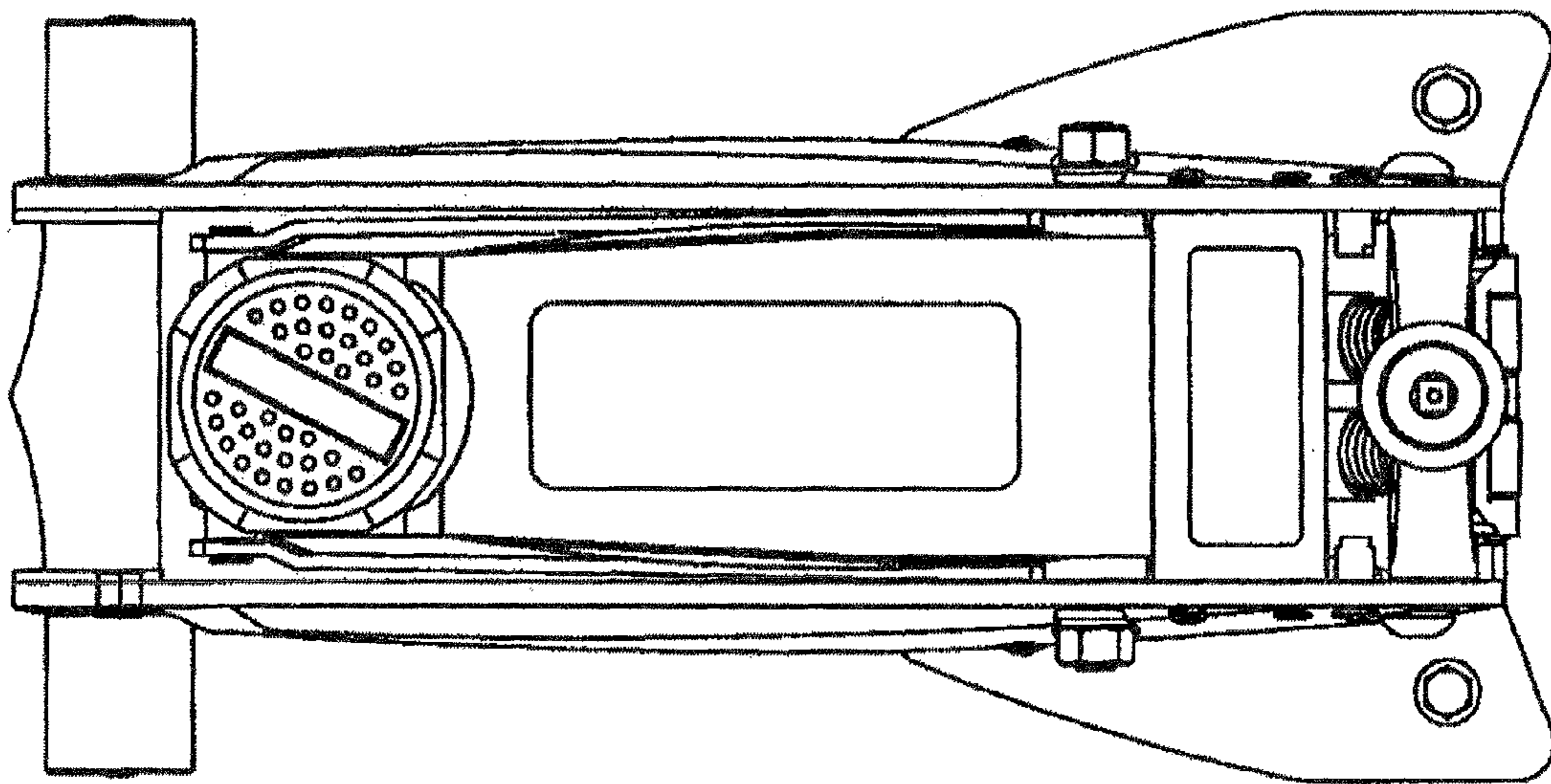


FIG. 5

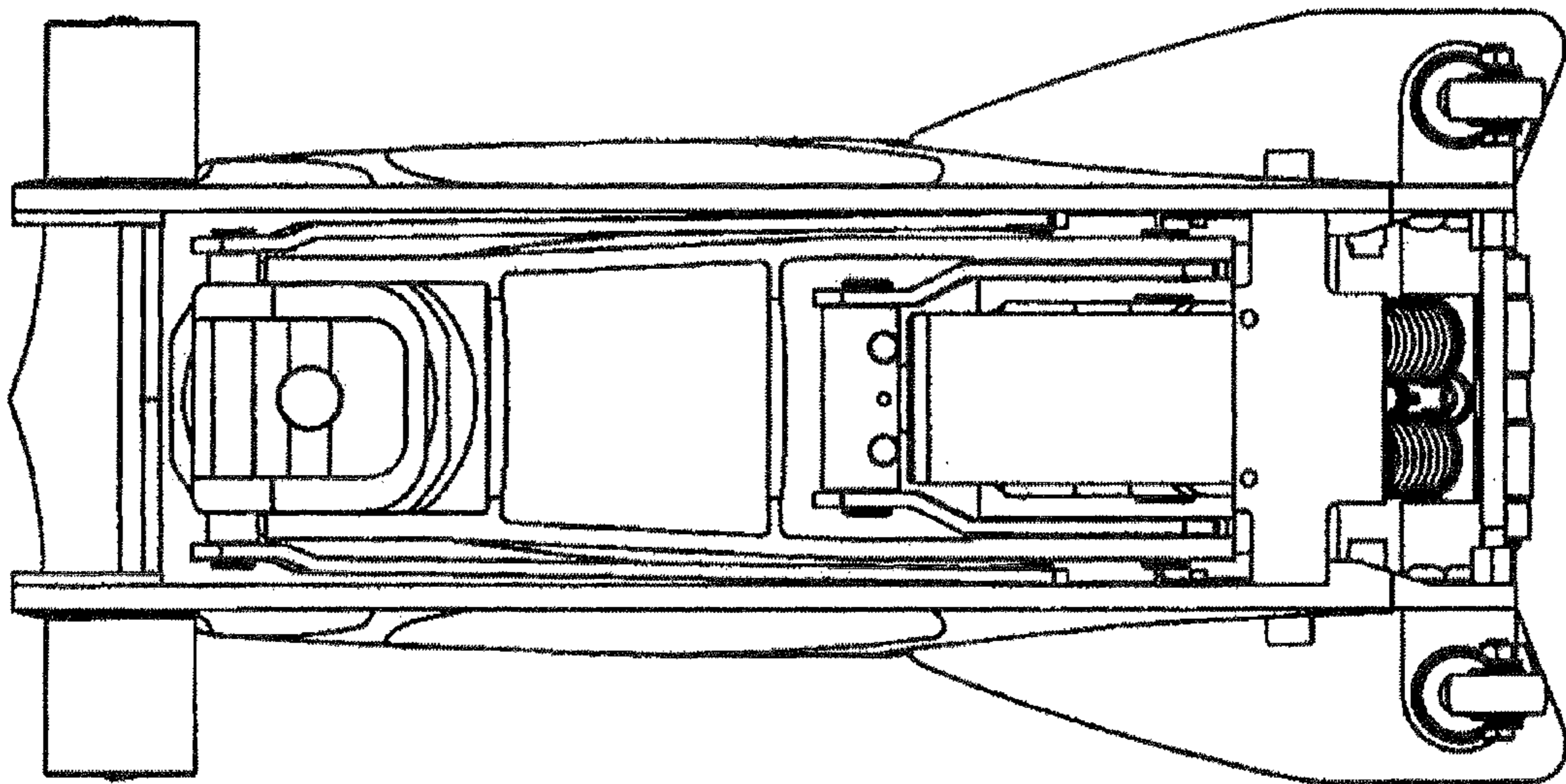


FIG. 6

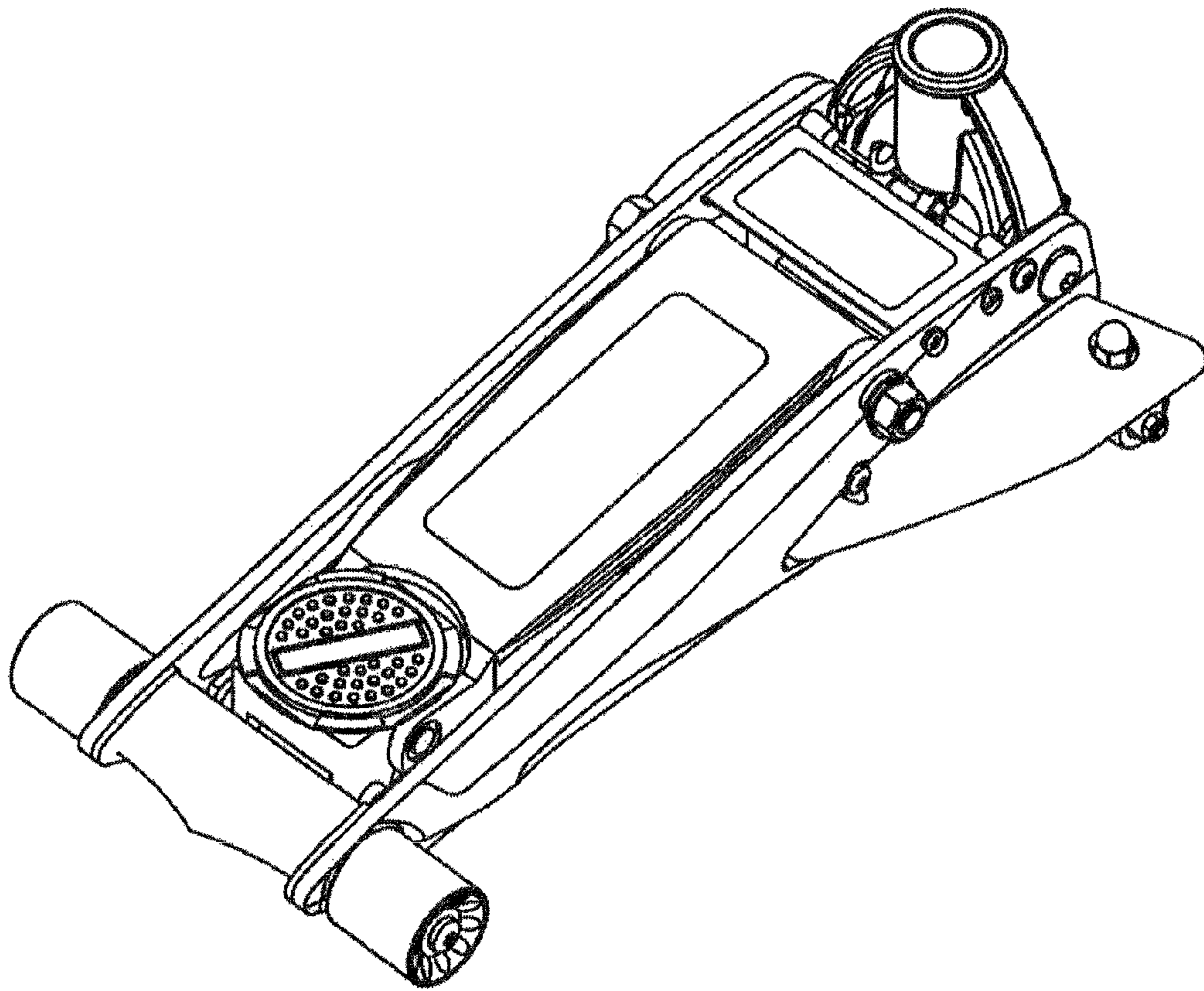


FIG. 7