



US00D682499S

(12) **United States Design Patent**
Williams

(10) **Patent No.:** **US D682,499 S**

(45) **Date of Patent:** **** May 14, 2013**

(54) **PORTABLE SKATE/BOOT/GLOVE DRYER**

(71) Applicant: **Williams Boot & Glove Dryers Inc.,**
Langley (CA)

(72) Inventor: **Gary Williams, Langley (CA)**

(73) Assignee: **Williams Boot & Glove Dryers Inc.,**
Langley, BC (CA)

(**) Term: **14 Years**

(21) Appl. No.: **29/434,940**

(22) Filed: **Oct. 18, 2012**

(51) **LOC (9) Cl.** **07-05**

(52) **U.S. Cl.**
USPC **D32/58**

(58) **Field of Classification Search** D32/8,
D32/58, 59; D24/109; D7/708; 34/90, 600,
34/523, 441, 381, 240, 106, 105, 104, 103;
D2/979

See application file for complete search history.

(56) **References Cited**

U.S. PATENT DOCUMENTS

1,380,683	A *	6/1921	Sanders	211/35
2,845,182	A *	7/1958	Atkinson	211/37
D194,512	S	2/1963	Donaldson		
D224,309	S	7/1972	Wolff		
3,999,304	A *	12/1976	Doty	34/82
4,136,464	A *	1/1979	Hay	34/104
4,145,602	A	3/1979	Lee		
D272,644	S	2/1984	Warren et al.		
4,596,078	A	6/1986	McCartney		
4,727,656	A	3/1988	Jannach et al.		
D310,742	S	9/1990	Johnson		
5,058,289	A *	10/1991	Guindon	34/104
D322,344	S	12/1991	Winkler		

5,127,529	A	7/1992	Martinez et al.		
5,287,636	A	2/1994	Lafleur et al.		
D367,382	S	2/1996	Tseng		
D372,346	S	7/1996	Marks		
D373,867	S	9/1996	Rask		
5,566,838	A	10/1996	Tseng		
D383,276	S	9/1997	Janney		
5,692,316	A	12/1997	Antal		
D407,908	S *	4/1999	Dickinson et al.	D6/320
D412,231	S	7/1999	Williams et al.		
D433,204	S	10/2000	Gardner, Jr.		
6,327,792	B1	12/2001	Hebert		
6,604,298	B2 *	8/2003	Tomasi et al.	34/600
7,103,989	B2	9/2006	Rosseau et al.		
D541,493	S	4/2007	Peet		
D563,619	S *	3/2008	Palese et al.	D32/58
D576,773	S *	9/2008	Beckett	D32/58

(Continued)

Primary Examiner — Austin Murphy

(74) *Attorney, Agent, or Firm* — Fay Sharpe LLP

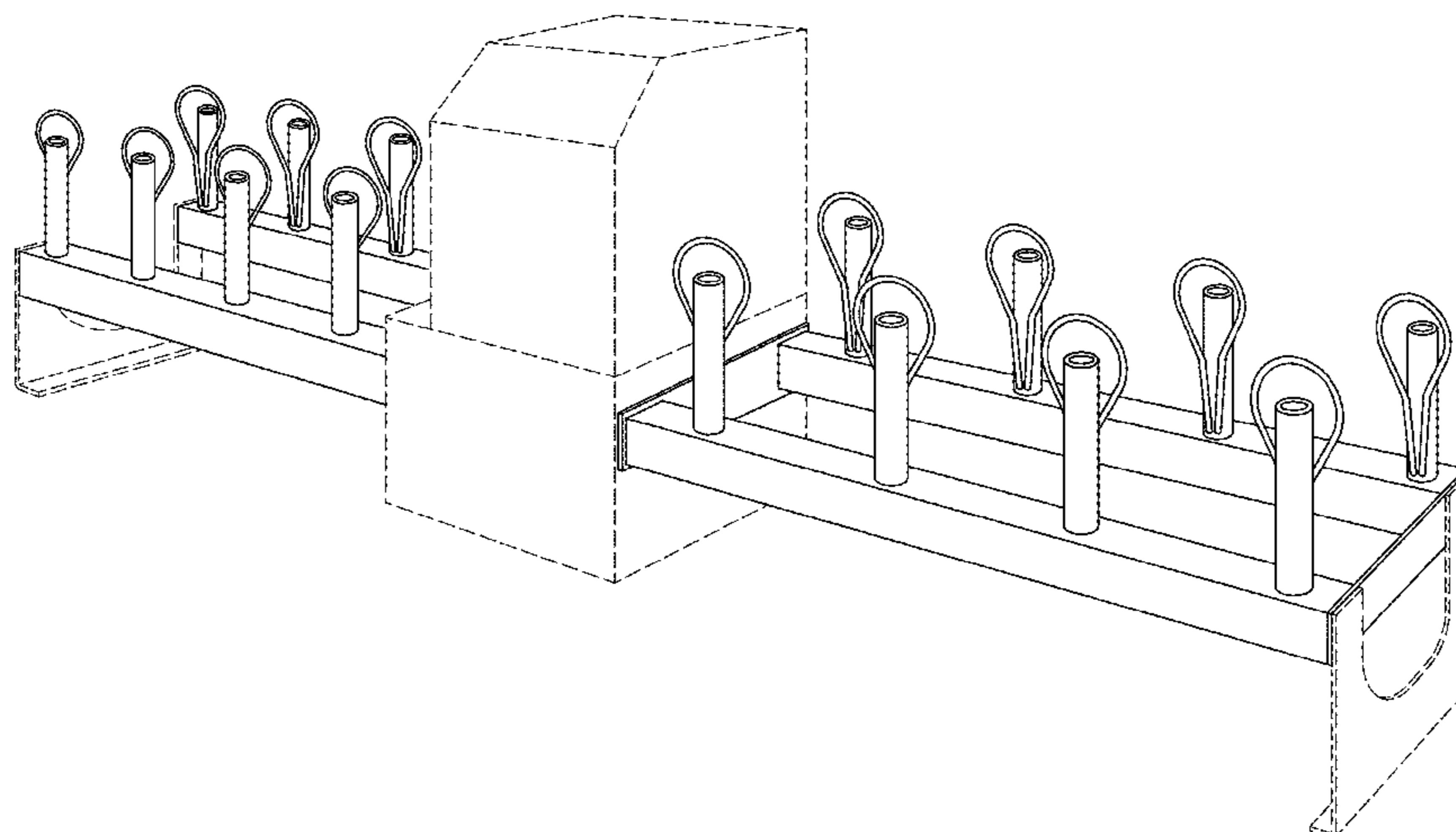
(57) **CLAIM**

The ornamental design for a portable skate/boot/glove dryer, as shown and described.

DESCRIPTION

FIG. 1 is a perspective view of the portable skate/boot/glove dryer in its environment showing my new design; FIG. 2 is a front elevation view of the dryer of FIG. 1; FIG. 3 is a top view of the dryer of FIG. 1; FIG. 4 is a bottom view of the dryer of FIG. 1; FIG. 5 is a left side elevation view of the dryer of FIG. 1; FIG. 6 is a right side elevation view of the dryer of FIG. 1; and, FIG. 7 is a rear elevation view of the dryer of FIG. 1. The broken lines shown in the drawings represent portions of the portable skate/boot/glove dryer that form no part of the claimed design.

1 Claim, 5 Drawing Sheets



US D682,499 S

Page 2

U.S. PATENT DOCUMENTS			
7,430,816	B1	10/2008	Lozenski
D604,916	S *	11/2009	Mansour et al. D32/8
D616,537	S	5/2010	Gosko-Sadowski
D648,091	S *	11/2011	Southwick D32/58
D664,321	S *	7/2012	Williams D32/58
D665,549	S *	8/2012	Kropf et al. D32/58

* cited by examiner

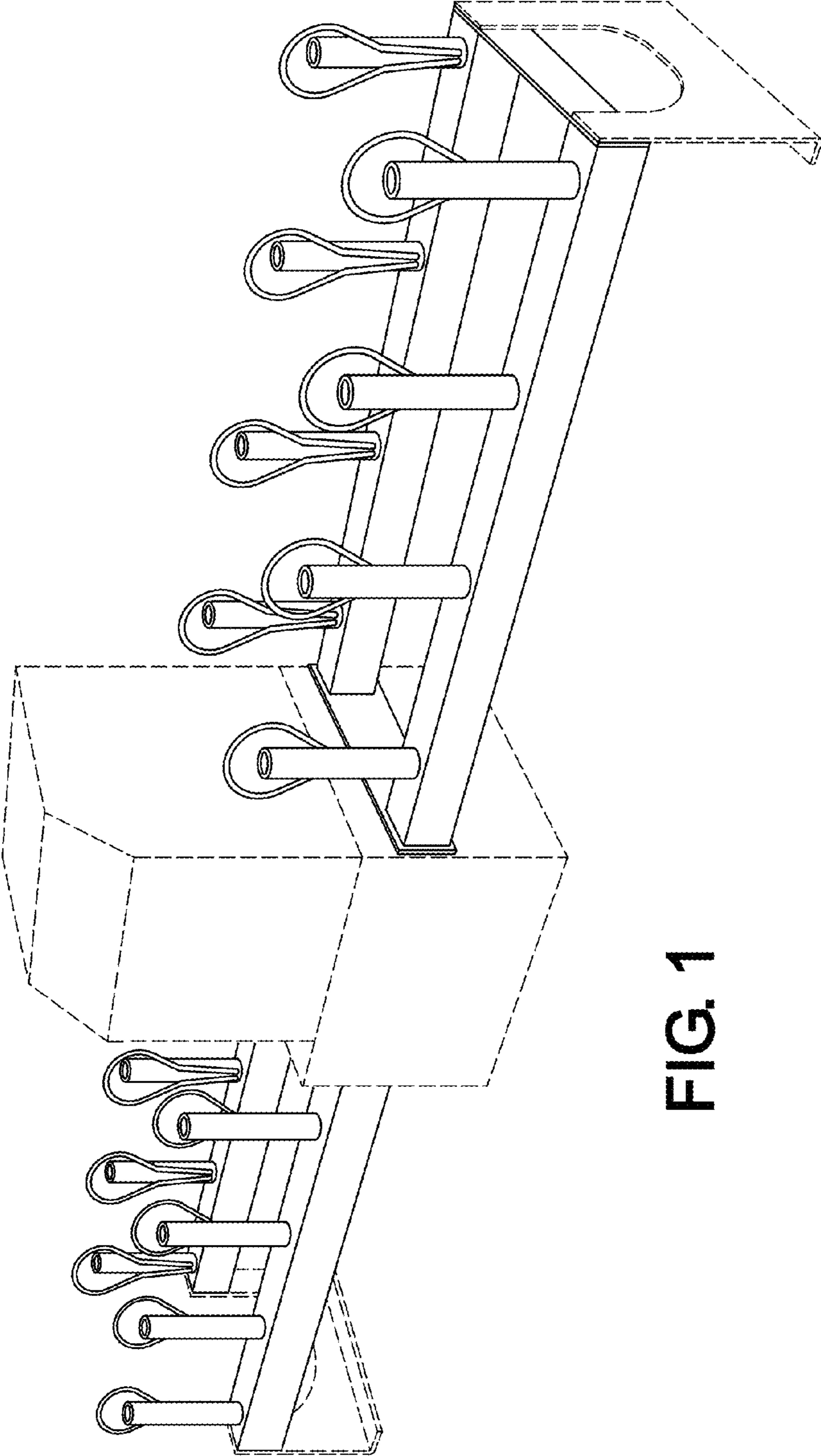


FIG. 1

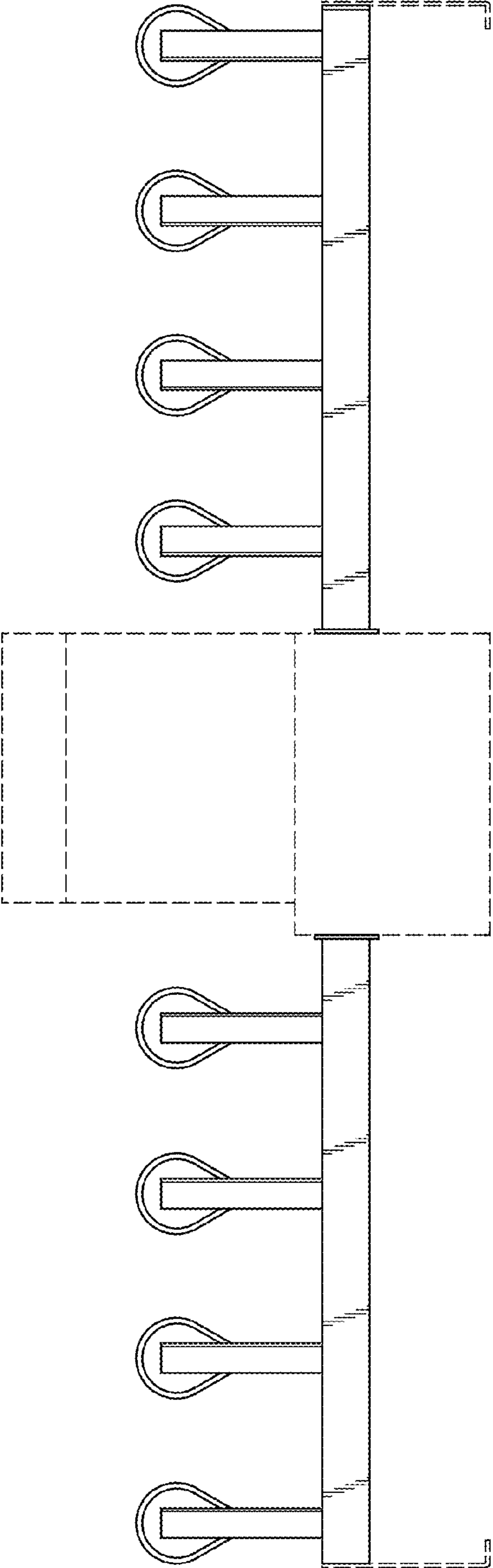


FIG. 2

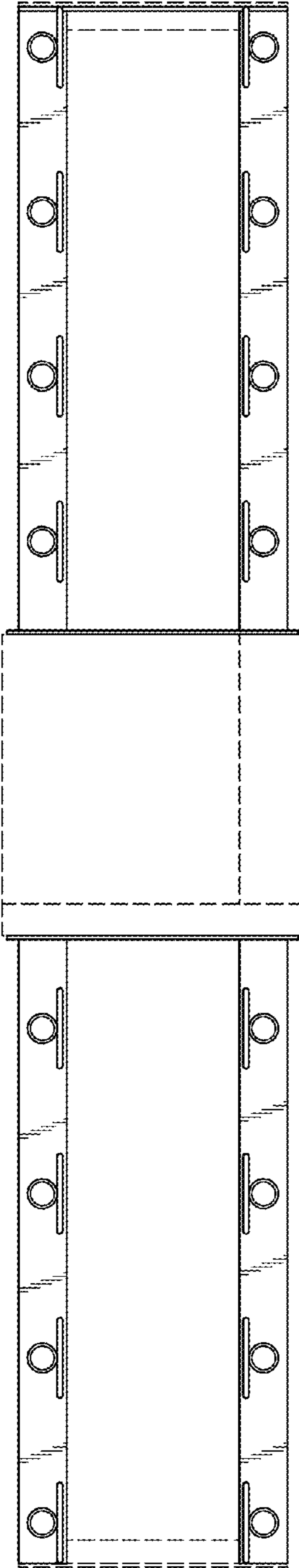


FIG. 3

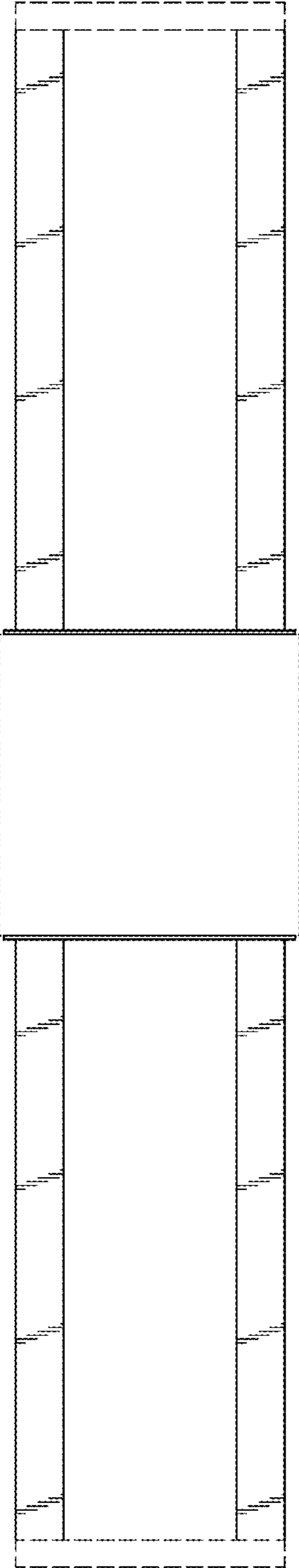


FIG. 4

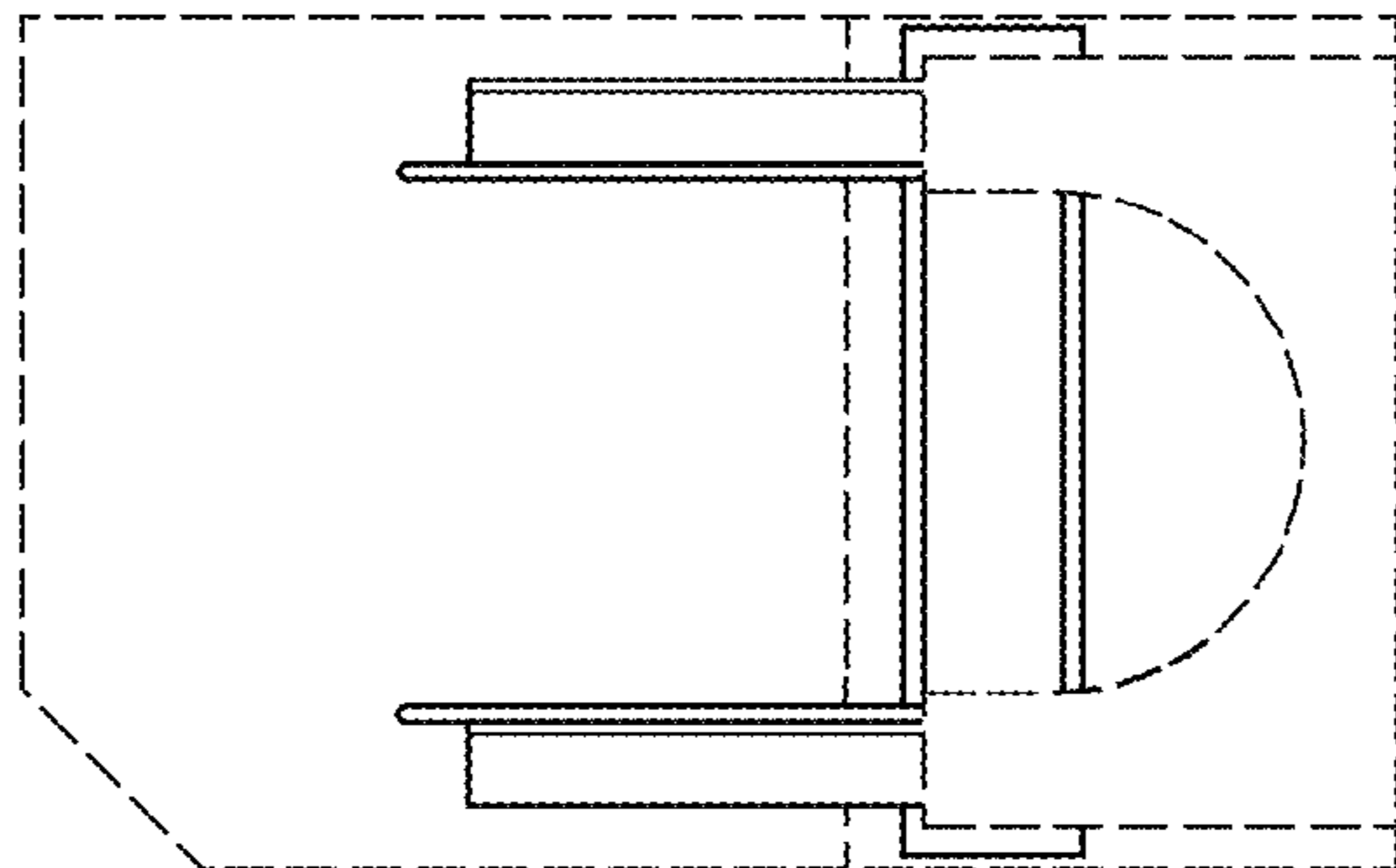


FIG. 6

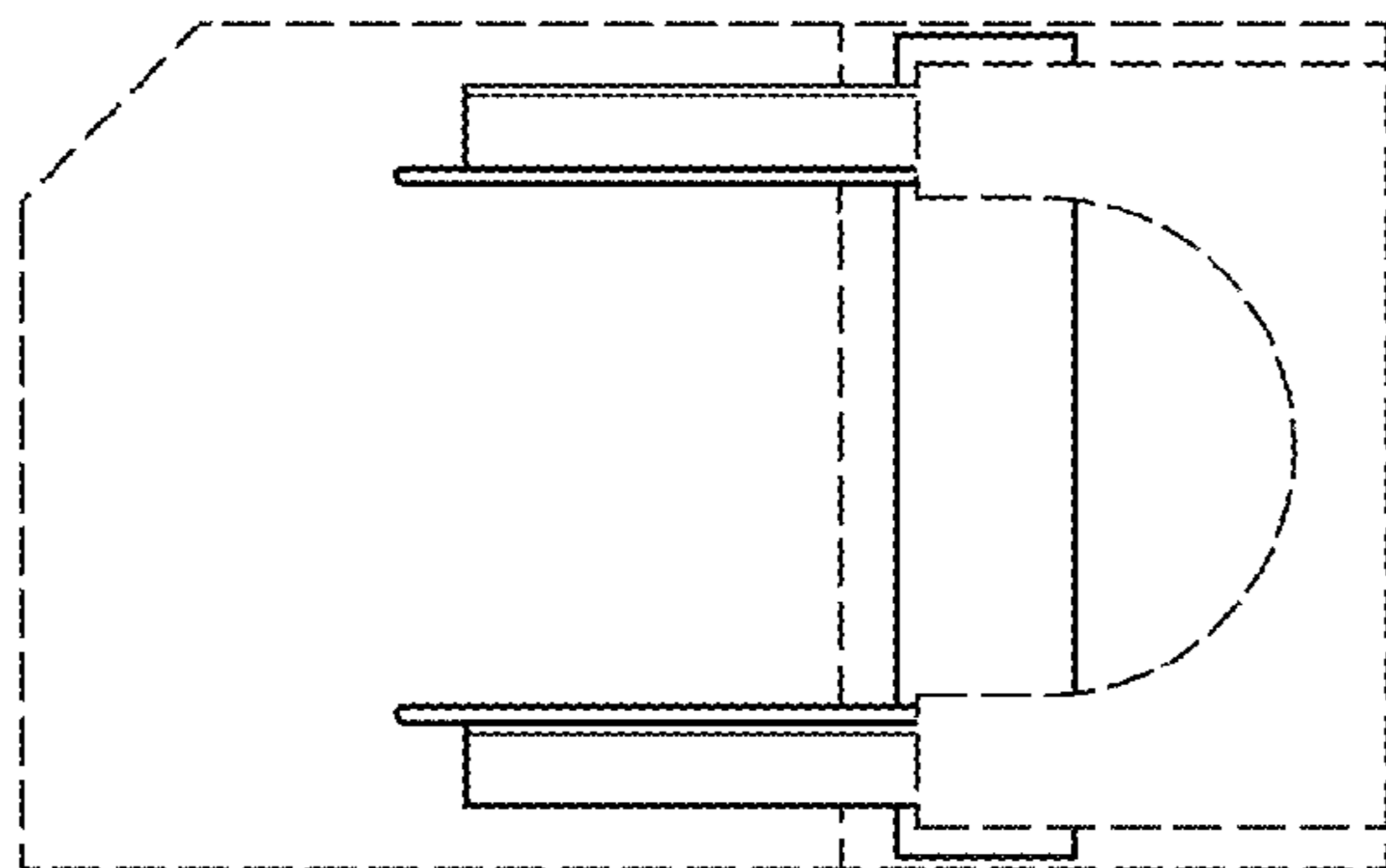


FIG. 5

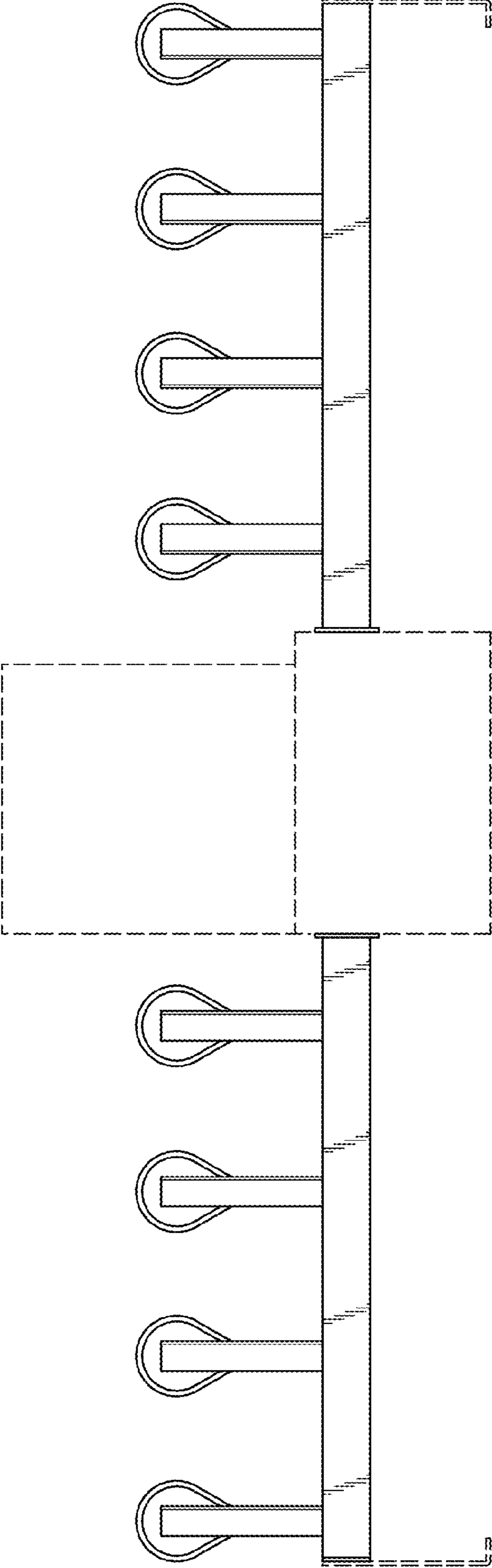


FIG. 7