



US00D682498S

(12) **United States Design Patent**
Sonne

(10) **Patent No.:** **US D682,498 S**
(45) **Date of Patent:** **** May 14, 2013**

- (54) **TOOL HANDLE**
- (76) Inventor: **Lawrence Julius Sonne**, Okemos, MI (US)
- (**) Term: **14 Years**
- (21) Appl. No.: **29/373,319**
- (22) Filed: **Mar. 30, 2011**
- (51) **LOC (9) Cl.** **08-05**
- (52) **U.S. Cl.**
USPC **D32/48; D32/49**
- (58) **Field of Classification Search** D32/40,
D32/44, 45-49, 50-52; 473/301, 302; 15/143.1,
15/119.2, 120.1, 120.2, 116.1, 116.2, 150,
15/209.1-210.1; 401/137-140
See application file for complete search history.

- D377,856 S 2/1997 Hartman
- D381,483 S 7/1997 Hartman
- D395,789 S 7/1998 Dodane
- D409,804 S 5/1999 Nunes
- 6,085,424 A 7/2000 Mai
- D457,385 S 5/2002 Dodane
- D463,639 S * 9/2002 Panfili et al. D32/48
- D467,395 S * 12/2002 McCool D32/48
- 6,715,210 B2 4/2004 Chao
- D496,512 S 9/2004 Treacy
- D500,173 S 12/2004 Wakayama

(Continued)

FOREIGN PATENT DOCUMENTS

CA 599715 B1 6/1960
Primary Examiner — John Windmuller

(57) **CLAIM**
Ornamental design for a tool handle, as shown and described.

(56) **References Cited**

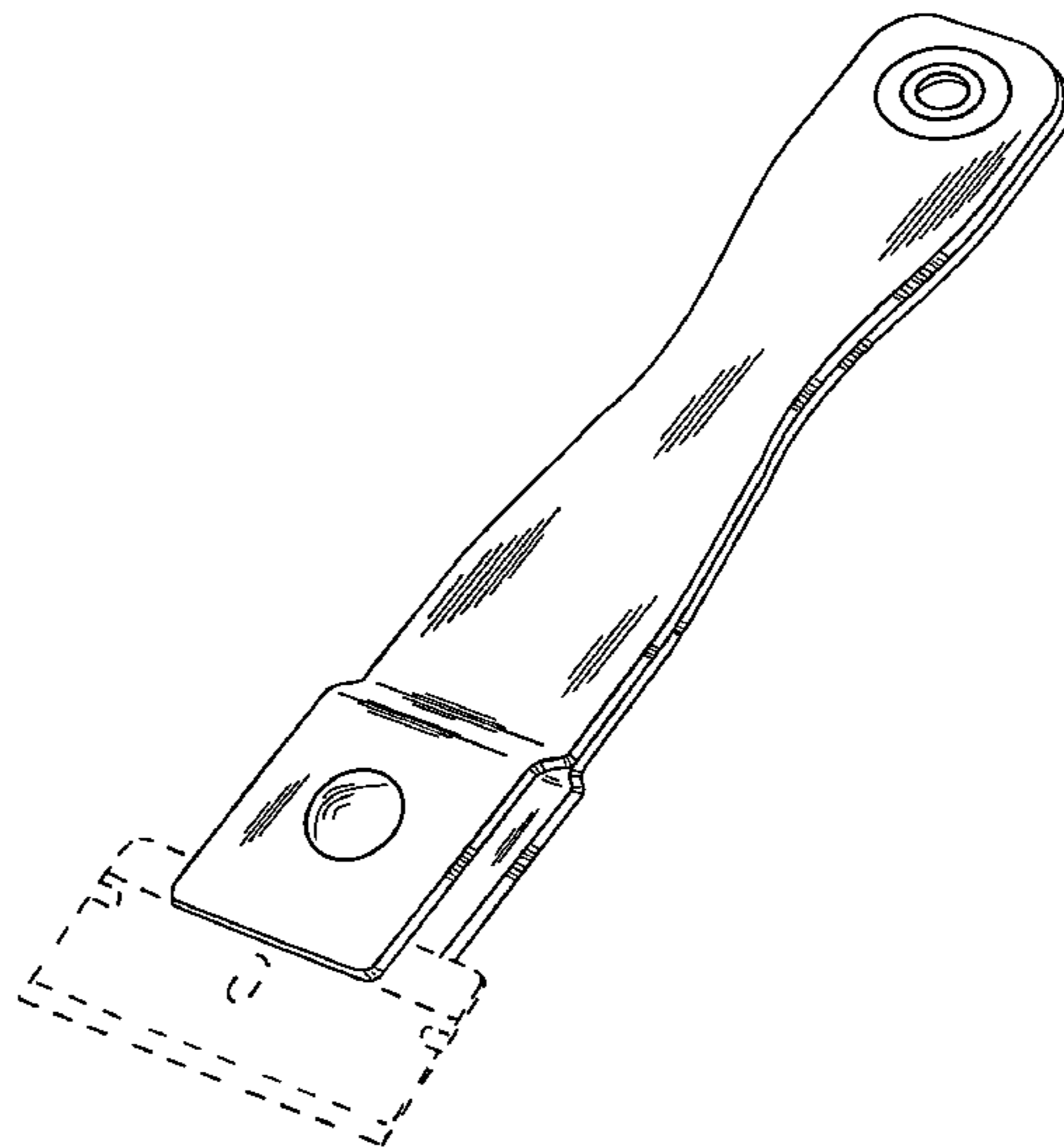
U.S. PATENT DOCUMENTS

- 1,710,113 A 12/1928 Rothermel
- 1,704,376 A 3/1929 Teasdale
- 2,145,985 A * 2/1939 Krajicek 30/294
- 2,245,096 A 10/1940 Penny
- 3,027,641 A 11/1960 Leonardson
- 3,855,700 A * 12/1974 Gerson et al. 30/162
- 4,097,951 A 7/1978 Hurtt
- 4,200,948 A 5/1980 Nesseth
- 4,202,093 A 5/1980 Wallerstein
- 4,481,689 A 11/1984 Westmoreland
- 5,048,184 A 9/1991 Saxton
- 5,208,984 A 5/1993 Negus
- D338,822 S 8/1993 Mallalieu
- D346,319 S * 4/1994 Lavallee et al. D8/99
- D346,880 S 5/1994 Meisner
- 5,319,853 A * 6/1994 Schmidt 30/169
- 5,351,357 A 10/1994 Liberman
- 5,433,004 A * 7/1995 Thompson et al. 30/169
- D362,937 S 10/1995 Camp, Jr.
- D364,252 S * 11/1995 Henke D32/42
- D371,004 S 6/1996 Peischl

DESCRIPTION

FIG. 1 is a perspective view showing my new design with a spreader;
 FIG. 2 is a top plan view thereof;
 FIG. 3 is a right side view thereof;
 FIG. 4 is a bottom plan view thereof;
 FIG. 5 is a front view thereof;
 FIG. 6 is a rear view thereof;
 FIG. 7 is a perspective view showing my new design with a razor blade;
 FIG. 8 is a top plan view thereof;
 FIG. 9 is a right side view thereof;
 FIG. 10 is a bottom plan view thereof;
 FIG. 11 is a front view thereof; and,
 FIG. 12 is a rear view thereof.
 The broken line(s) showing the removable spreader and razor blade are for illustrative purposes only and form no part of the claimed design.

1 Claim, 4 Drawing Sheets



US D682,498 S

Page 2

U.S. PATENT DOCUMENTS							
D530,924 S	10/2006	Davis		7,506,399 B2	3/2009	Fortune	
D537,591 S *	2/2007	Gringer et al.	D32/52	D599,186 S *	9/2009	Wu	D8/99
D549,463 S	8/2007	Potempa		D614,471 S	4/2010	Meyer	
D569,215 S	5/2008	Chiu		D618,981 S	7/2010	Gringer	
D575,131 S *	8/2008	Cheng	D8/107				

* cited by examiner

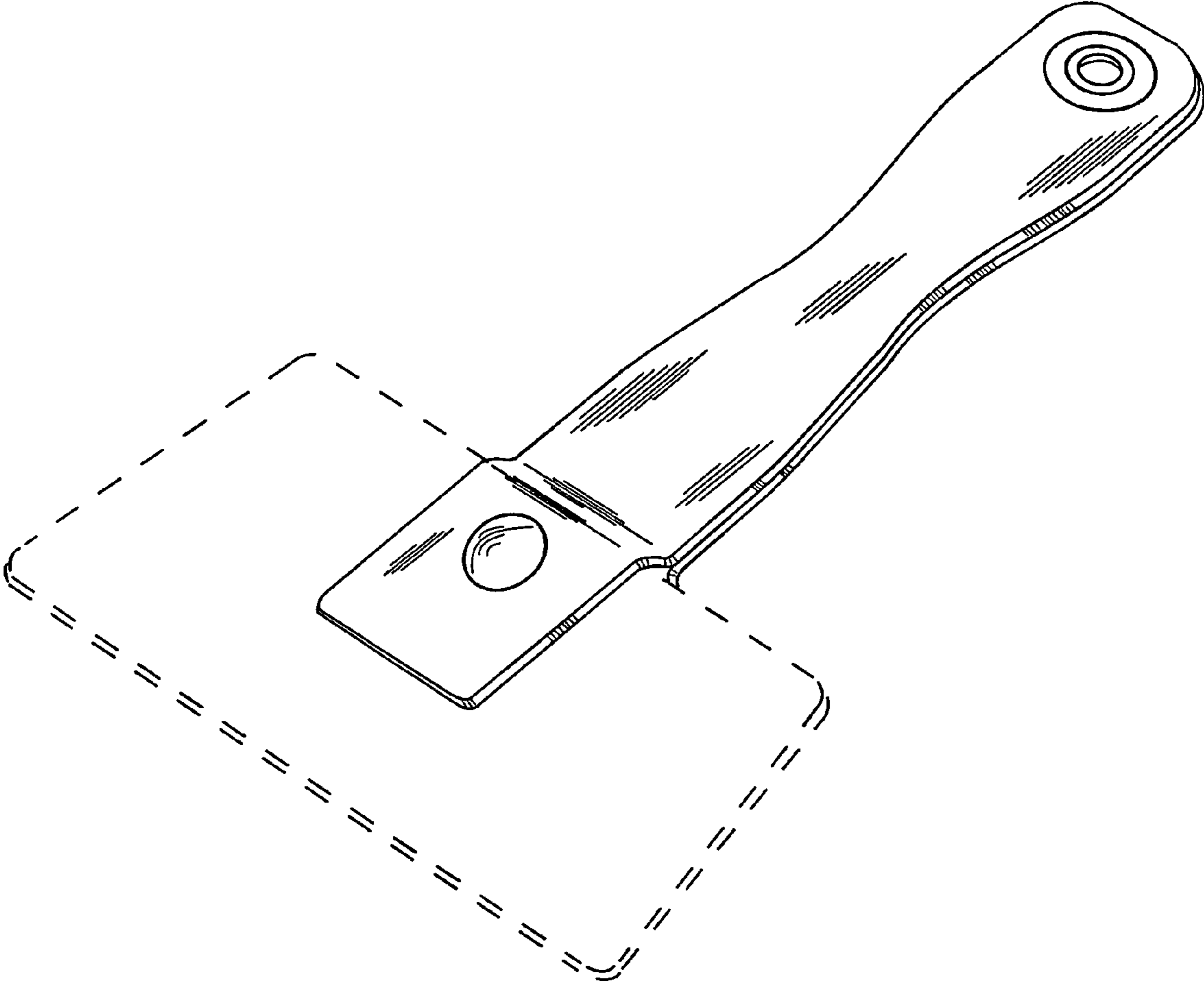


FIG. 1

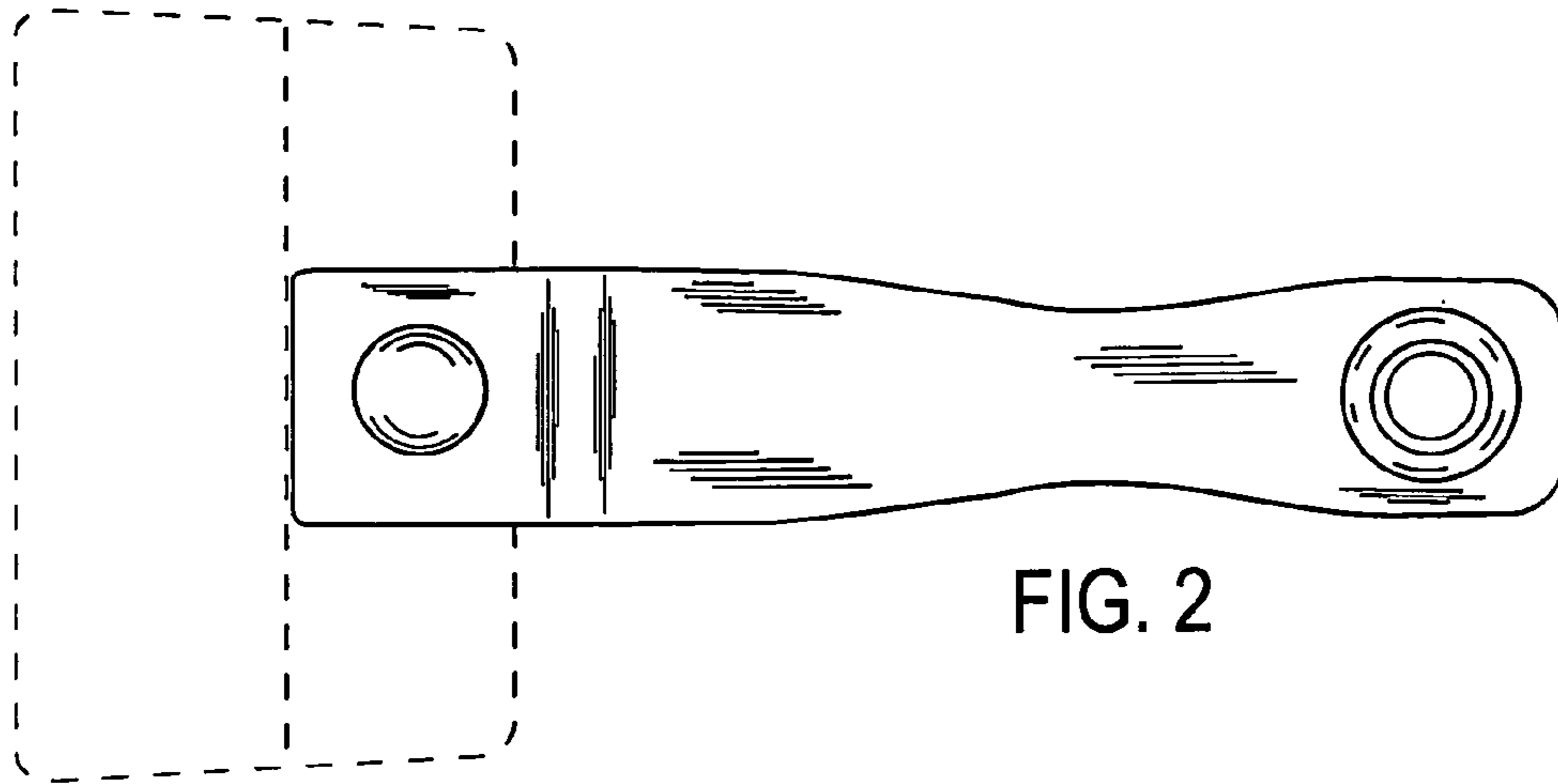


FIG. 2



FIG. 3

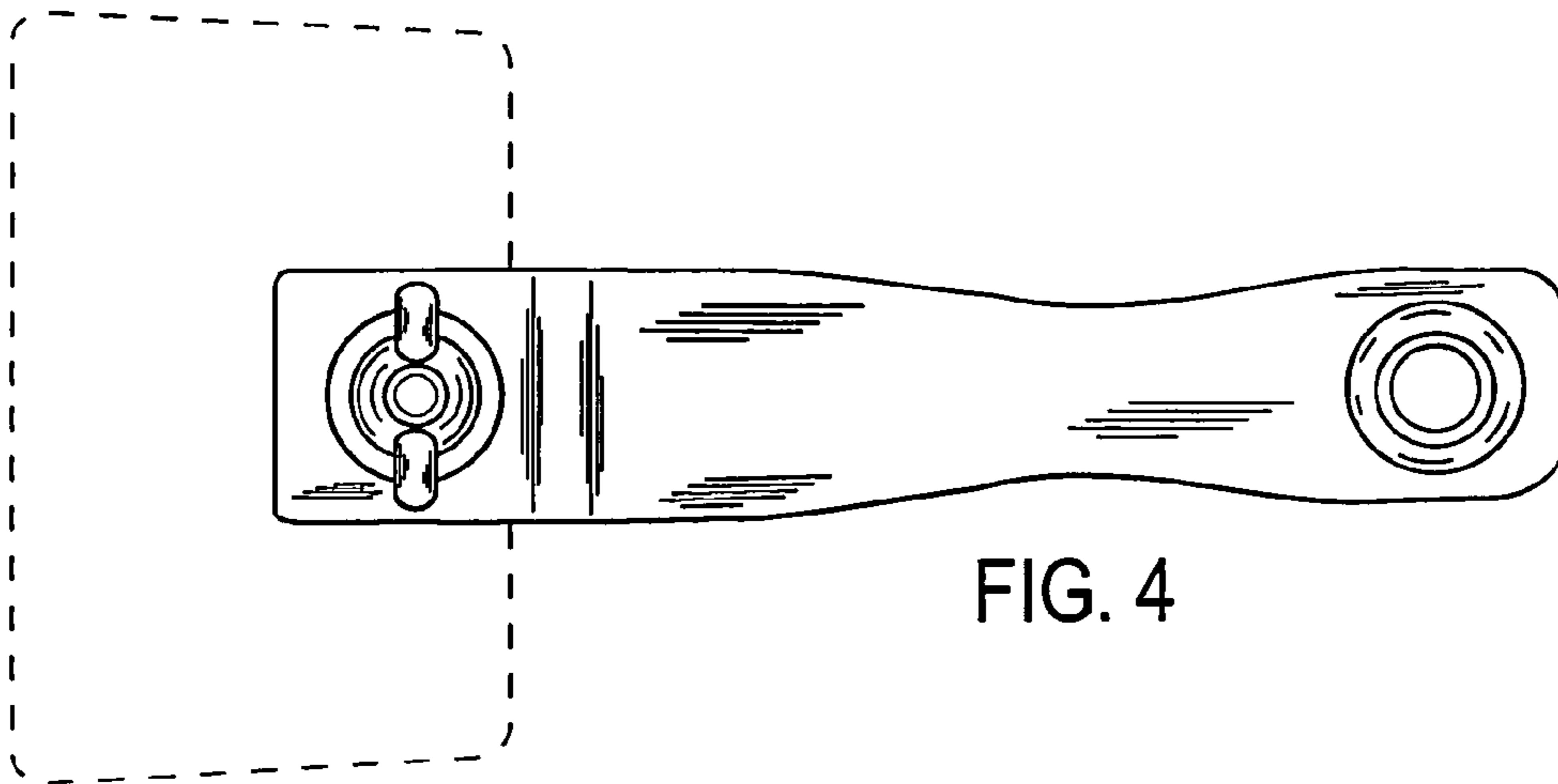


FIG. 4

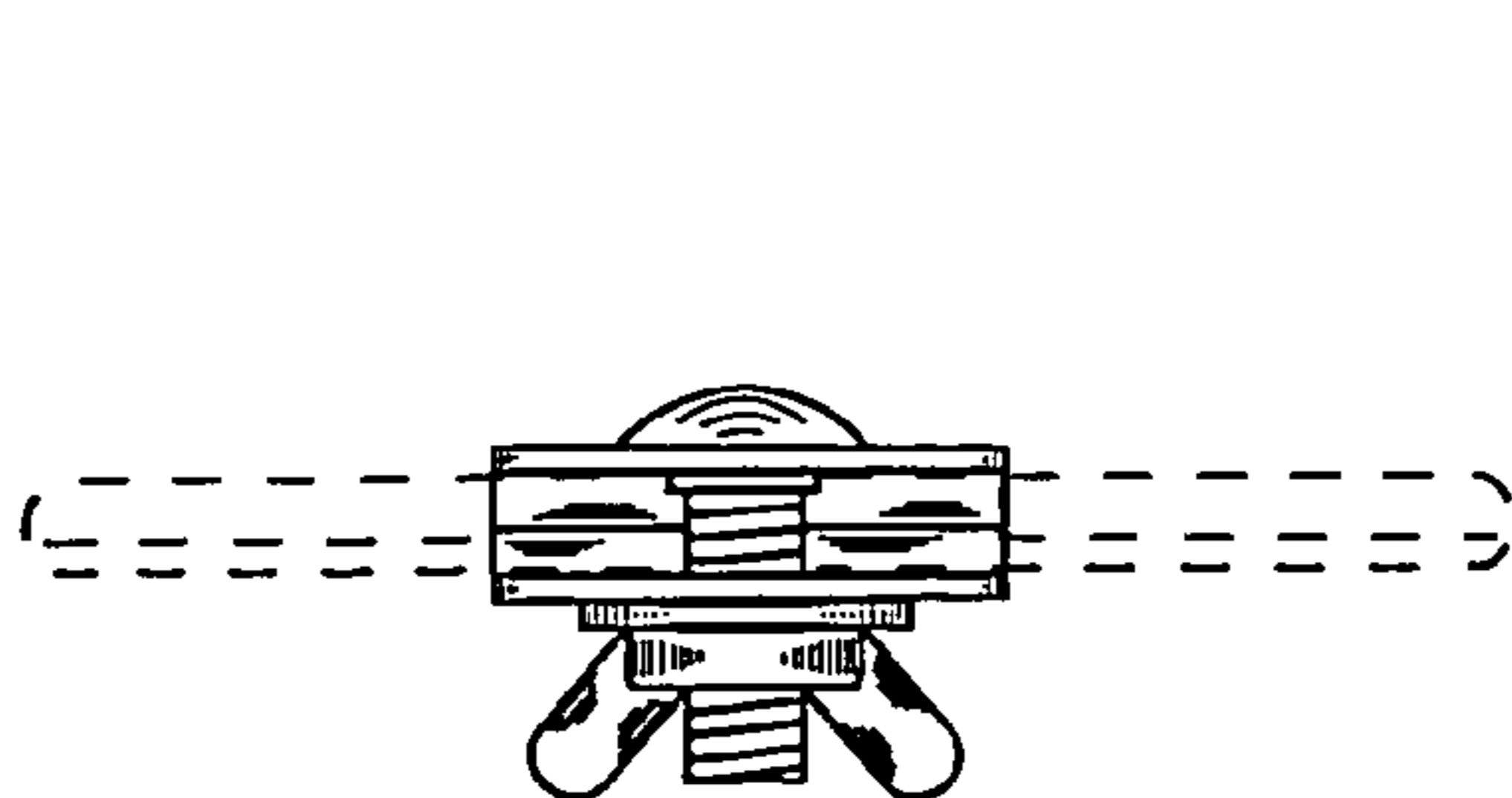


FIG. 5

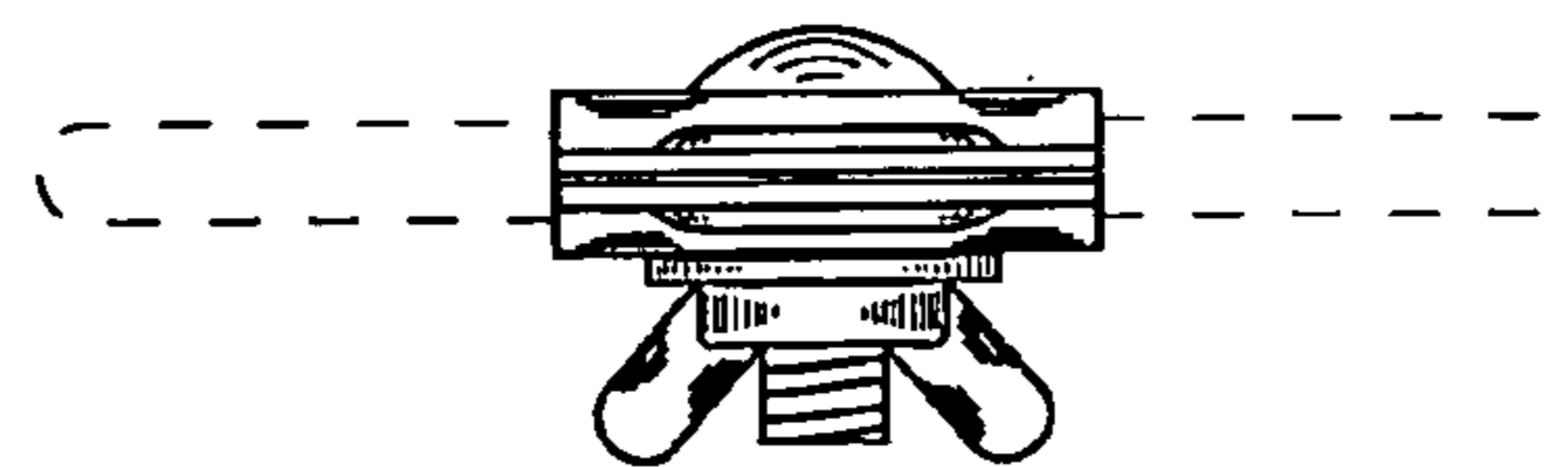


FIG. 6

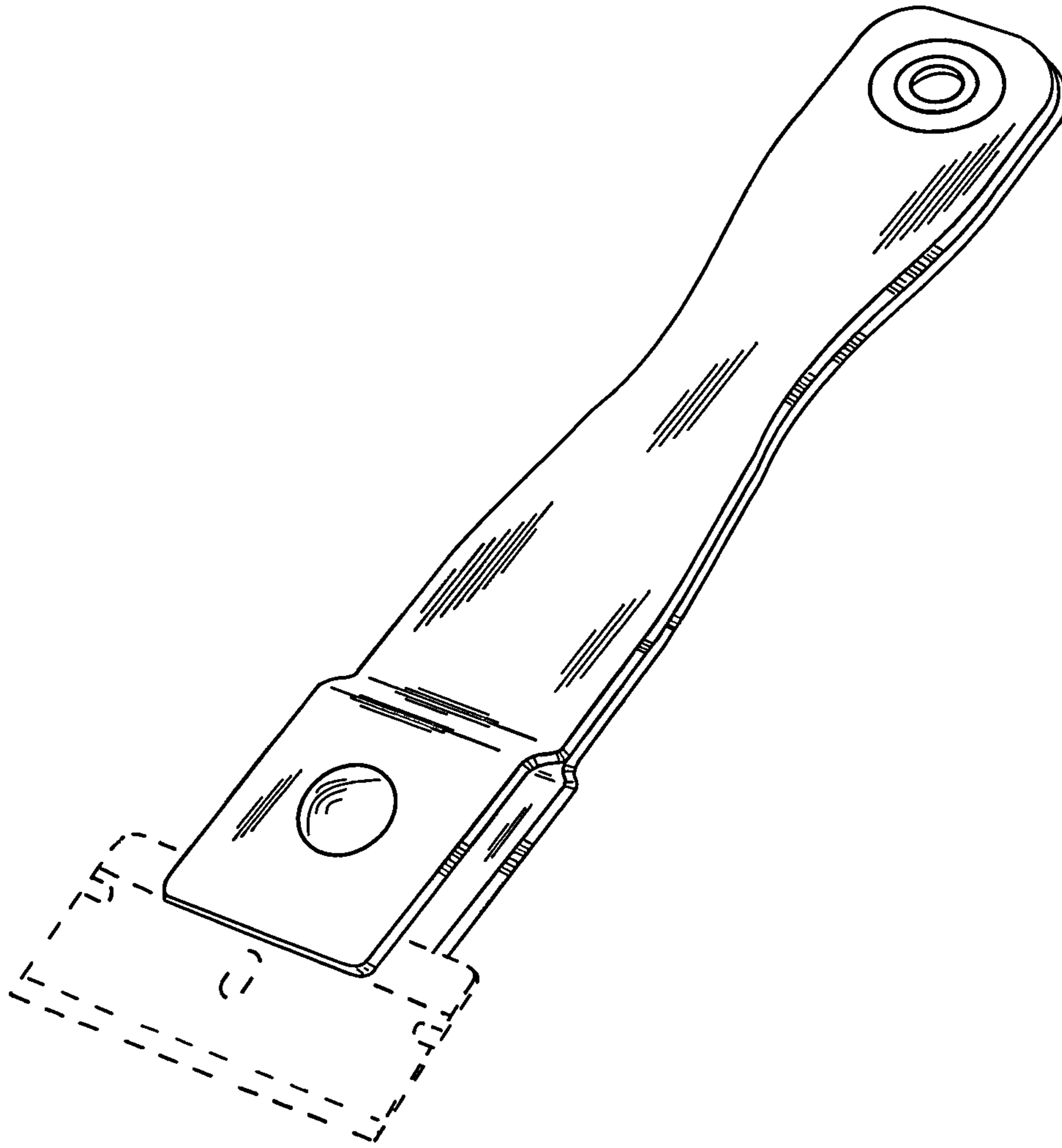


FIG. 7

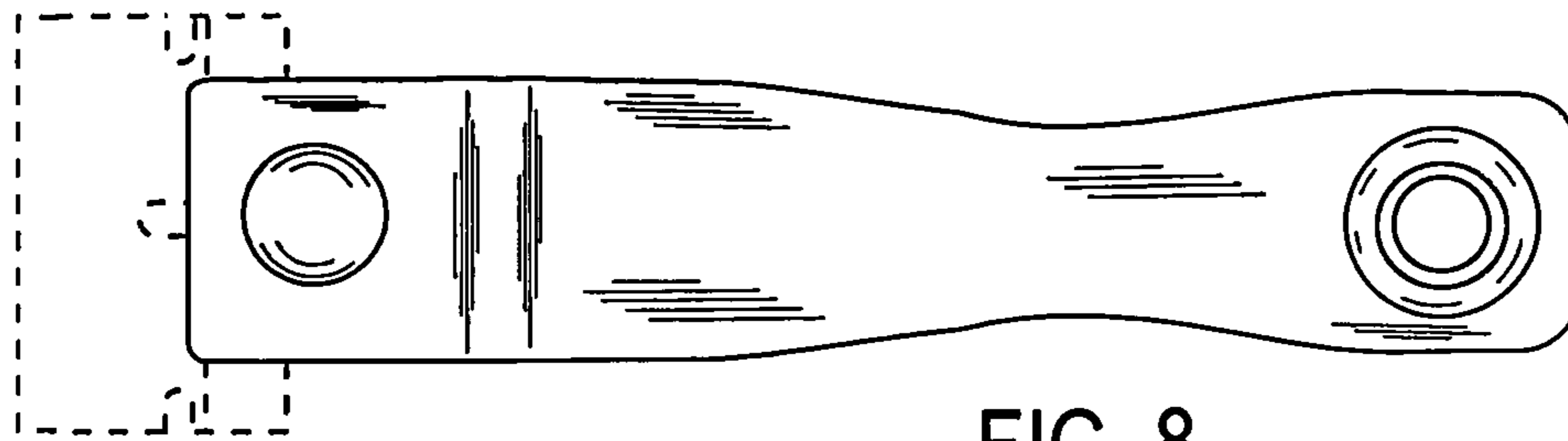


FIG. 8



FIG. 9



FIG. 10

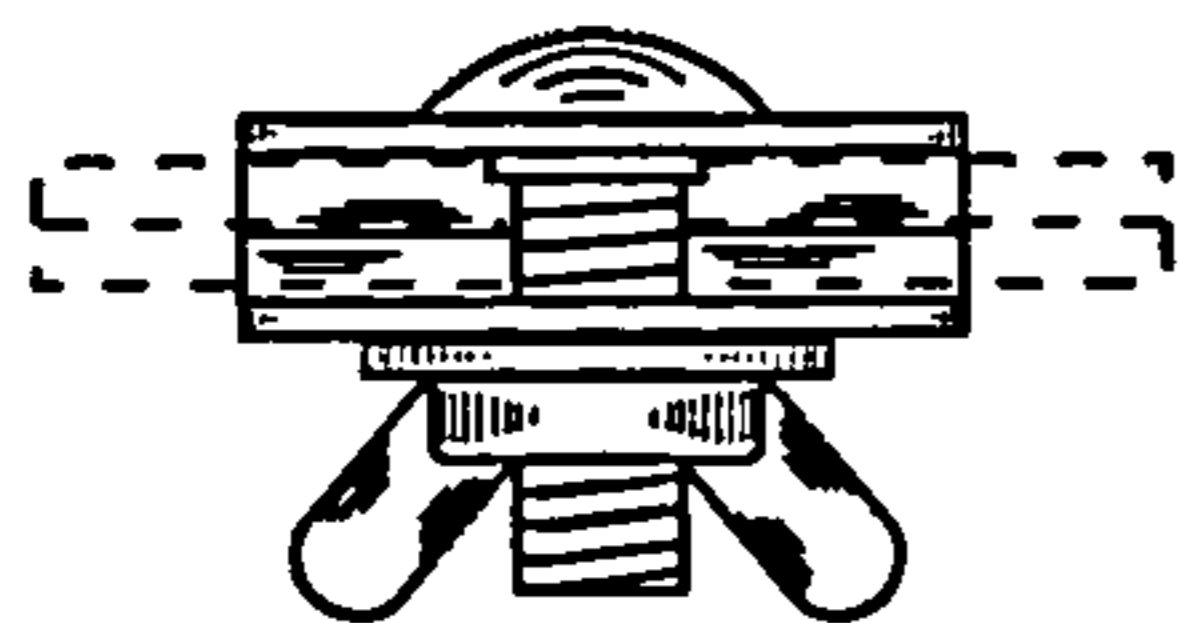


FIG. 11

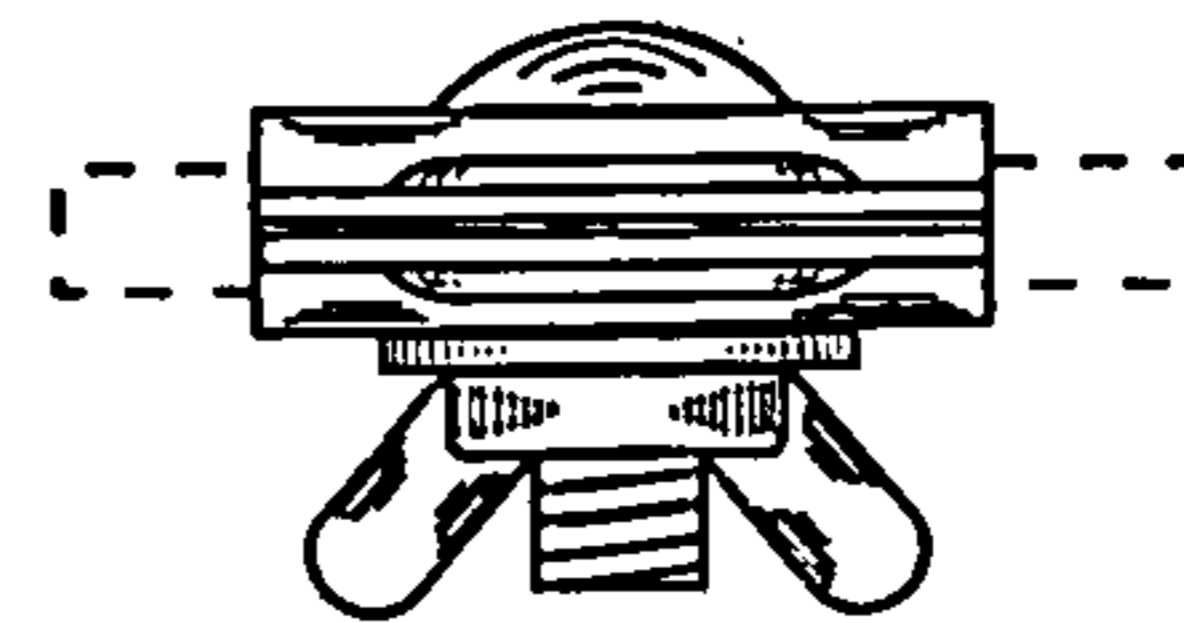


FIG. 12