



US00D682497S

(12) **United States Design Patent**
Wargo et al.

(10) **Patent No.:** **US D682,497 S**
(45) **Date of Patent:** **** May 14, 2013**

(54) **SUBSTRATE CLEANING BRUSH**

DESCRIPTION

(75) Inventors: **Christopher Wargo**, Wellesley, MA (US); **Rakesh Kumar Singh**, Acton, MA (US); **David Trio**, Dracut, MA (US); **Eric McNamara**, Nashua, NH (US)
(73) Assignee: **Entegris, Inc.**, Billerica, MA (US)
(**) Term: **14 Years**
(21) Appl. No.: **29/381,652**
(22) Filed: **Dec. 21, 2010**
(51) **LOC (9) Cl.** **15-05**
(52) **U.S. Cl.**
USPC **D32/25; D4/123; D15/138**
(58) **Field of Classification Search** D4/122, D4/123; D32/25, 35, 40, 50; D15/122, 124, D15/126, 138, 140; 15/77, 88.2-88.4, 97.1, 15/102, 103.5, 179, 230.11, 230.16, 244.1, 15/244.4; 492/30-33
See application file for complete search history.

(56) **References Cited**

U.S. PATENT DOCUMENTS

2,753,577 A 7/1956 Van Clief, Jr.
2,965,911 A 12/1960 Hempel et al.

(Continued)

FOREIGN PATENT DOCUMENTS

EP 0 530 536 A1 3/1993
FR 1 109 177 9/1955

(Continued)

Primary Examiner — Melanie H Tung

Assistant Examiner — Lavone D Tabor

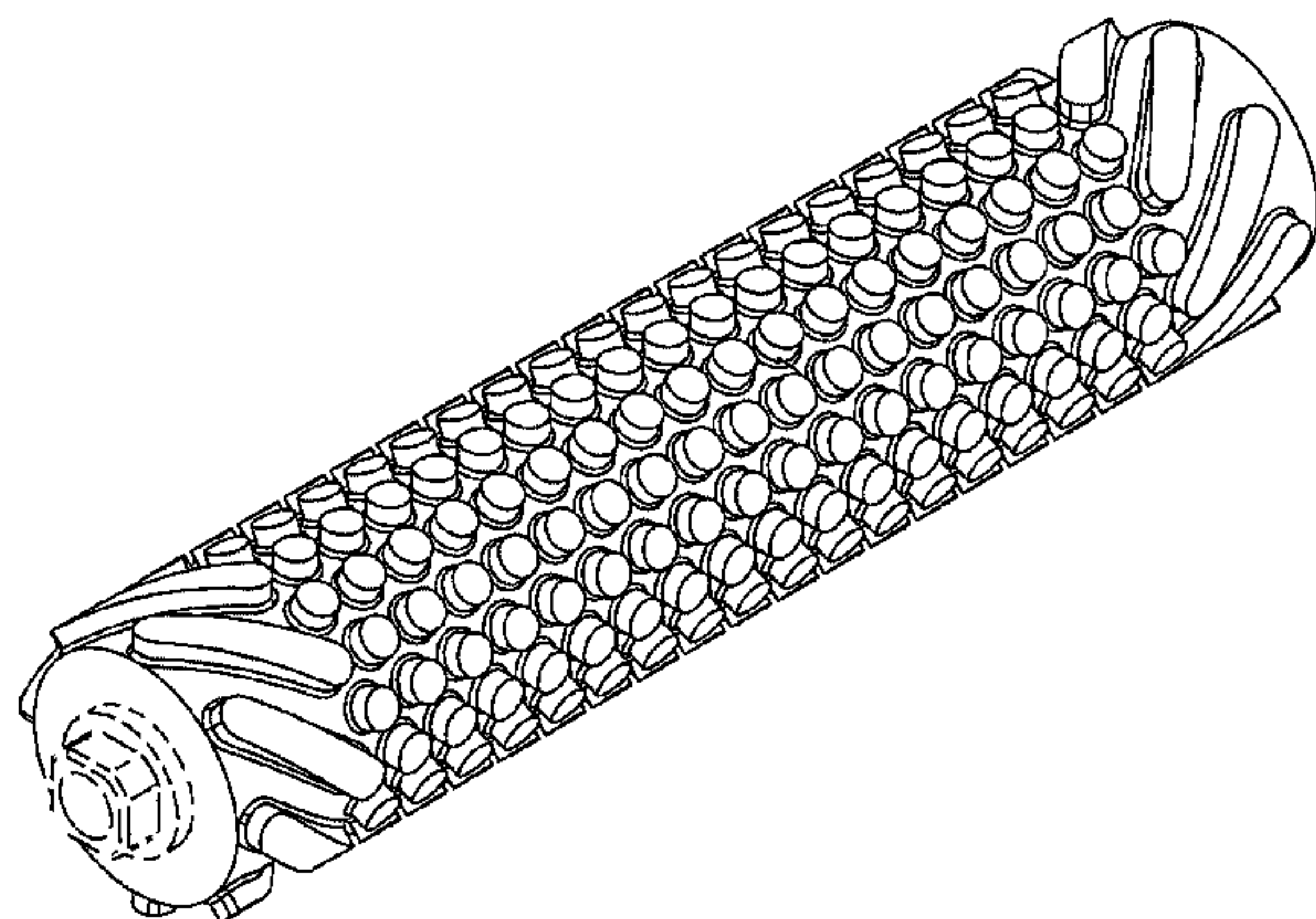
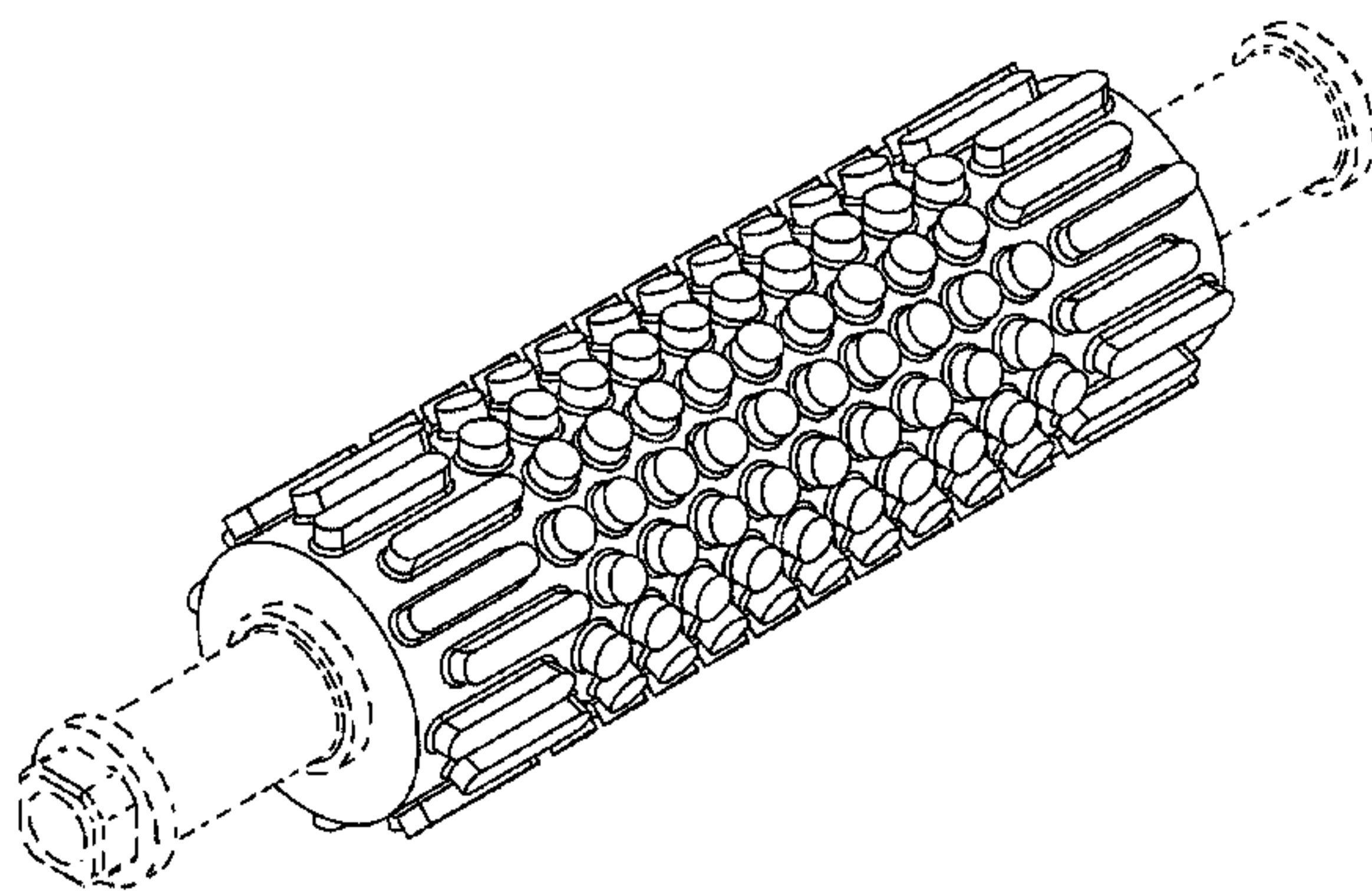
(74) *Attorney, Agent, or Firm* — Christensen Fonder P.A.

(57) **CLAIM**

We claim the ornamental design for a substrate cleaning brush, as shown and described.

FIG. 1 is a perspective view of a substrate cleaning brush according to a first embodiment of our new design; FIG. 2 is a reduced front elevational view of the design shown in FIG. 1 when as the brush is rotated, the rear elevational view and the top and bottom plan views are identical thereto; FIG. 3 is a right end elevational view of the design shown in FIG. 1; FIG. 4 is a left end elevational view of the design shown in FIG. 1, the left end elevational view of the designs shown in FIGS. 5 and 8 being identical thereto; FIG. 5 is a perspective view of the substrate cleaning brush according to a second embodiment of the design; FIG. 6 is a front elevational view of the design shown in FIG. 5 when as the brush is rotated, the rear elevational view and the top and bottom plan views are identical thereto; FIG. 7 is an enlarged right end elevational view of the design shown in FIG. 5; FIG. 8 is a perspective view of the substrate cleaning brush according to a third embodiment of the design; FIG. 9 is a reduced front elevational view of the design shown in FIG. 8 when as the brush is rotated, the rear elevational view and the top and bottom plan views are identical thereto; FIG. 10 is an enlarged right end elevational view of the design shown in FIG. 8; FIG. 11 is a perspective view of the substrate cleaning brush according to a fourth embodiment of the design; FIG. 12 is a reduced front elevational view of the design shown in FIG. 11, when as the brush is rotated, the rear elevational view and the top and bottom plan views are identical thereto; FIG. 13 is a right end elevational view of the design shown in FIG. 11; and, FIG. 14 is a left end elevational view of the design shown in FIG. 11.
The dashed lines illustrating portions and features not part of the claimed invention.

1 Claim, 4 Drawing Sheets



US D682,497 S

Page 2

U.S. PATENT DOCUMENTS

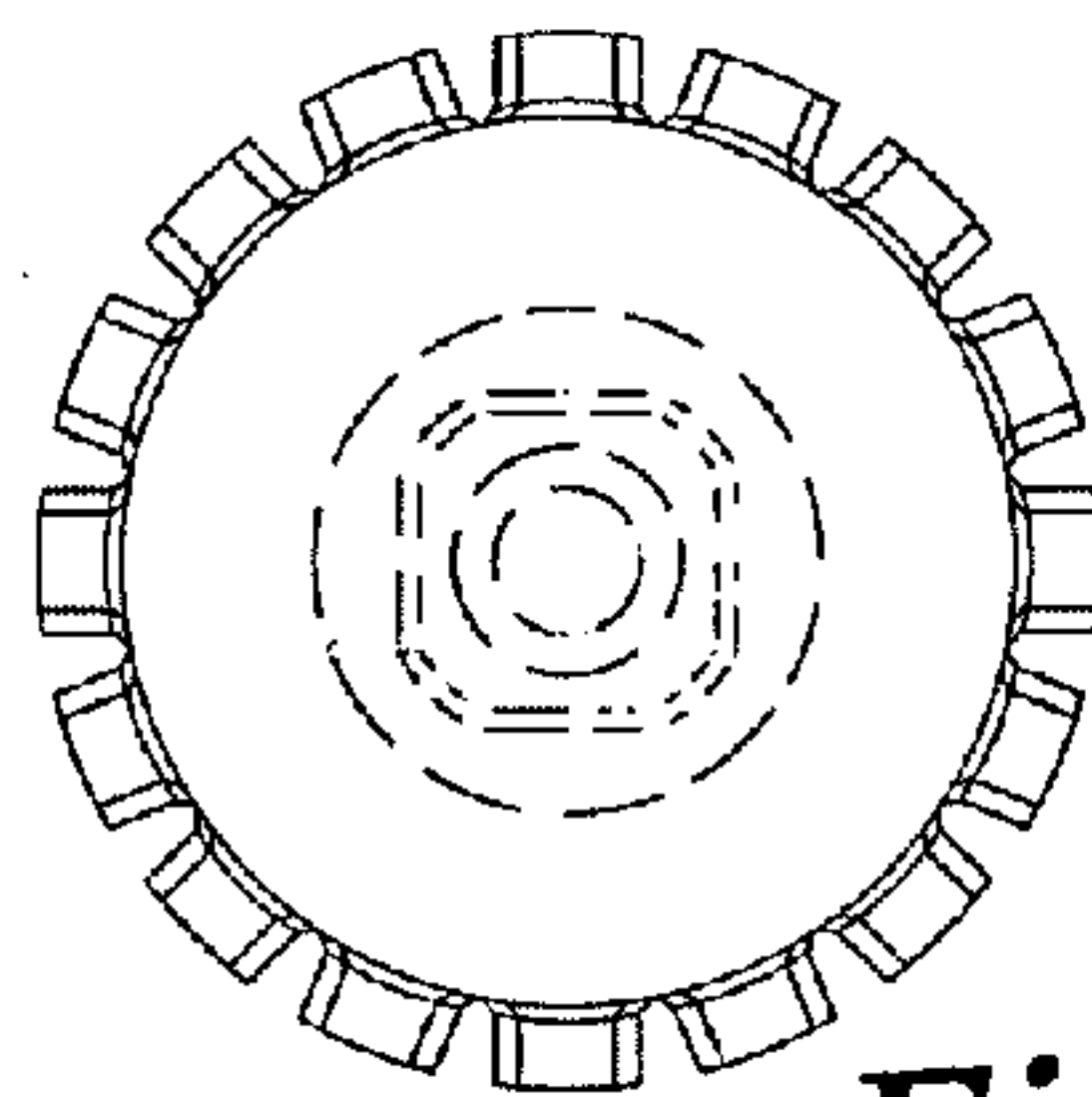
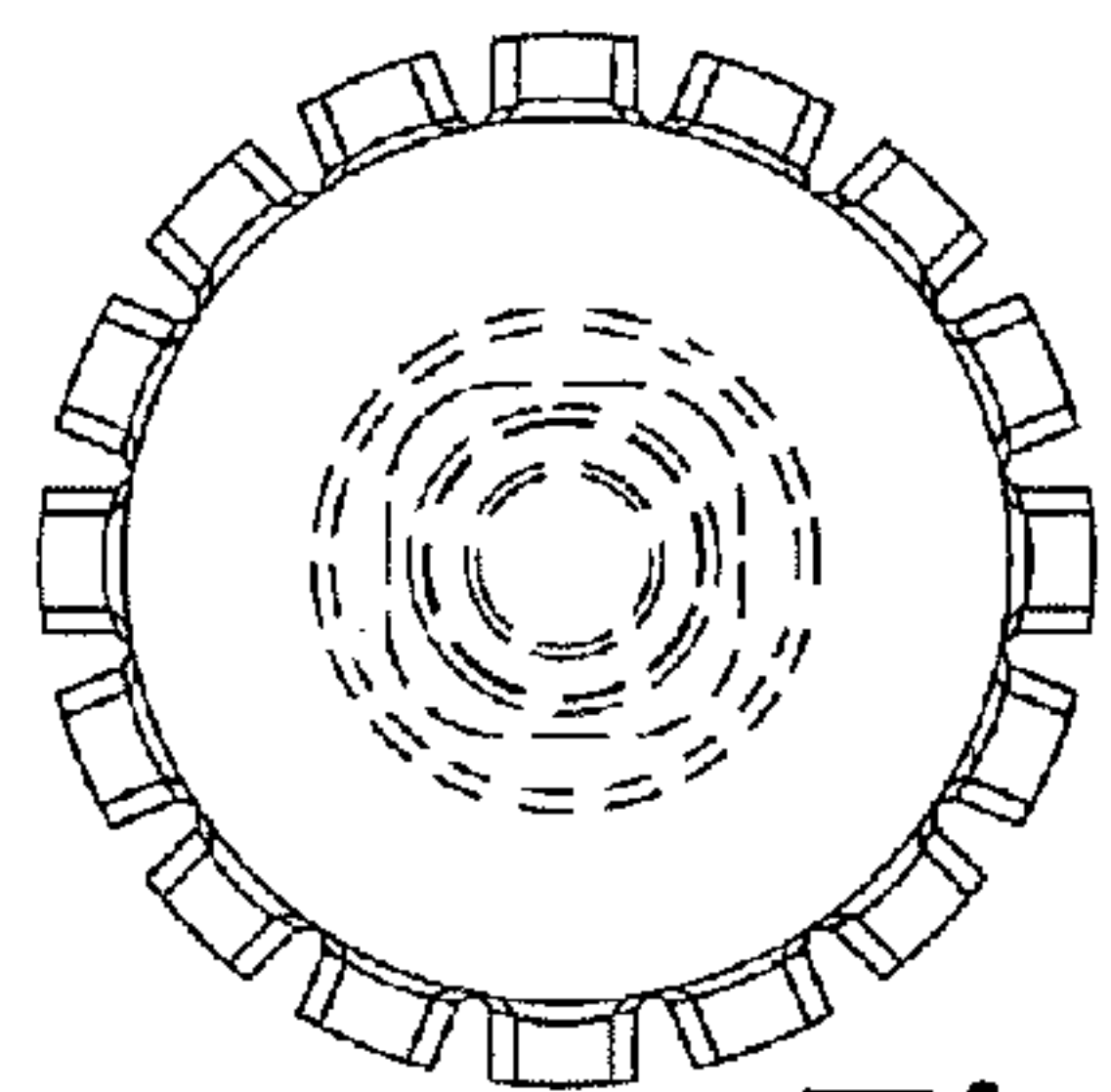
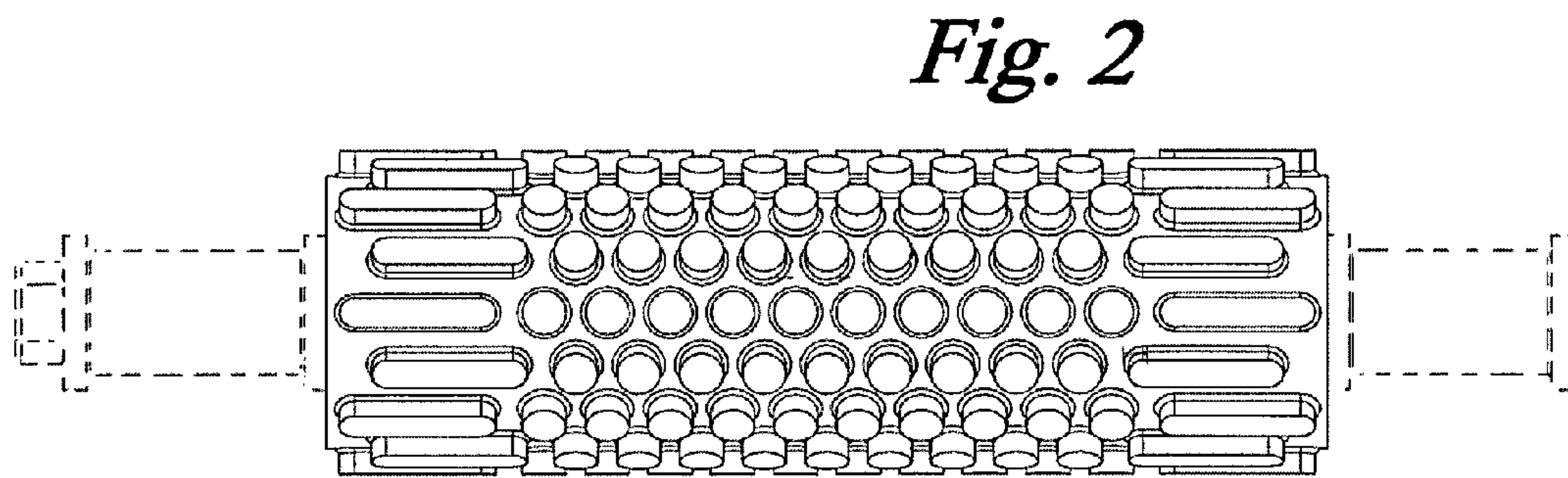
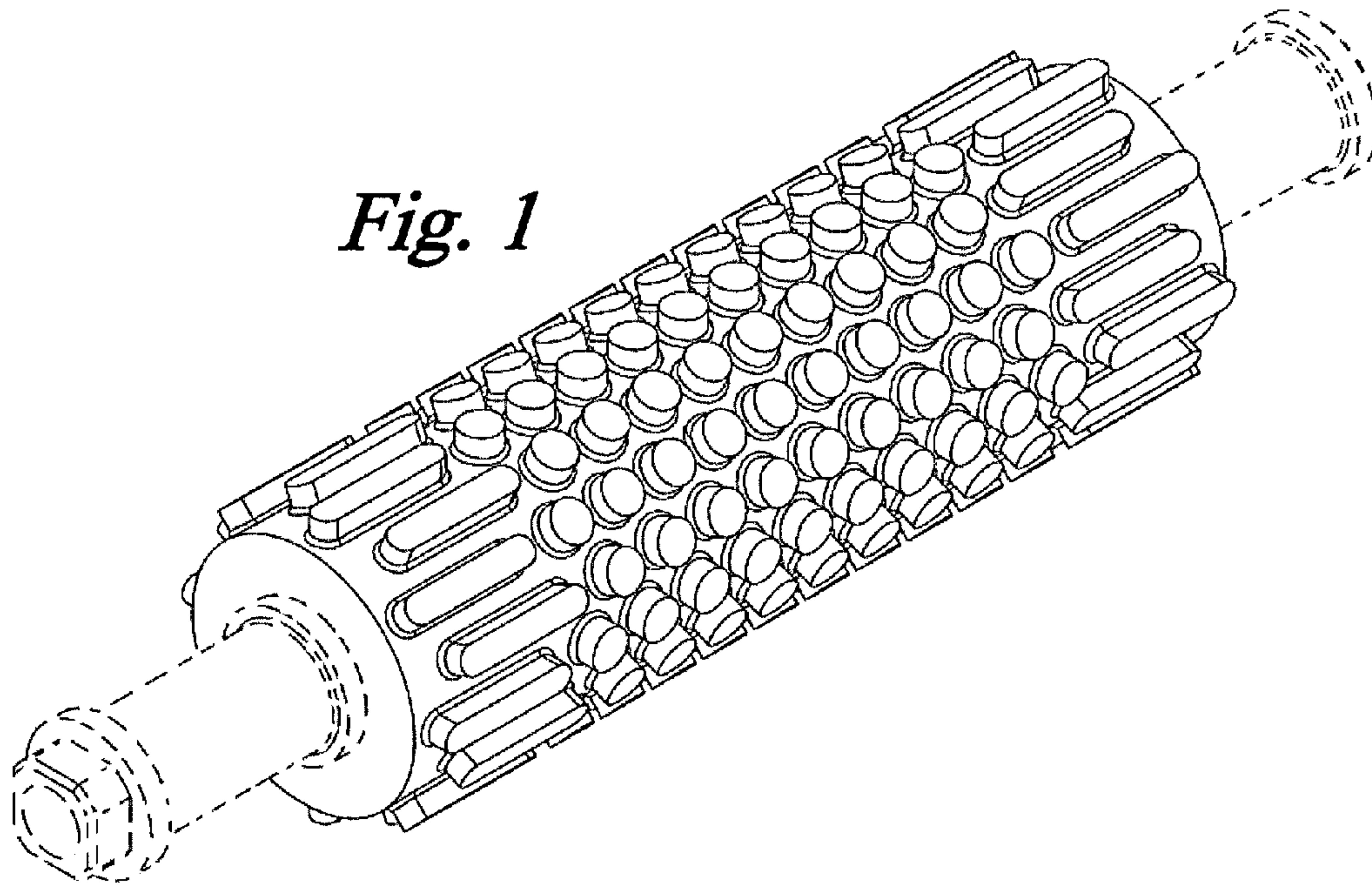
4,566,911	A *	1/1986	Tomita et al.	134/6
5,144,711	A	9/1992	Gill, Jr.	
5,247,765	A	9/1993	Quintana	
5,311,634	A	5/1994	Andros	
5,419,003	A	5/1995	Tollasepp	
5,778,481	A	7/1998	Amsden et al.	
5,806,126	A	9/1998	de Larios et al.	
5,870,793	A	2/1999	Choffat et al.	
6,006,391	A	12/1999	Shurtliff et al.	
6,247,197	B1	6/2001	Vail et al.	
6,299,698	B1	10/2001	Emami et al.	
6,308,623	B1	10/2001	Schonberger et al.	
6,332,832	B1	12/2001	Suzuki	
6,543,084	B2	4/2003	Dickey et al.	
6,557,202	B1 *	5/2003	Bliven et al.	15/77
6,598,255	B1 *	7/2003	Gohda et al.	15/102
6,655,746	B1	12/2003	Weihrauch	
6,684,447	B2	2/2004	Mihara et al.	
6,953,388	B2	10/2005	Masaaki	
7,229,579	B1	6/2007	Martin et al.	
D622,920	S	8/2010	Bejtlich, III	

7,955,693	B2	6/2011	Drury
2002/0100132	A1	8/2002	McMullen et al.
2004/0151890	A1	8/2004	Drury
2008/0141475	A1	6/2008	Drury

FOREIGN PATENT DOCUMENTS

FR	1 163 859	10/1958
JP	63109979 A	5/1988
JP	1257568 A	10/1989
JP	3154771 A	7/1991
JP	5208371 A	8/1993
JP	6031637 A	2/1994
JP	8300252 A	11/1996
JP	10296661 A	11/1998
JP	2001121406 A	5/2001
JP	D1334721	6/2008
JP	2009101253 A *	5/2009
TW	553797 A	9/2003
WO	WO 2005/016599	2/2005
WO	WO 2011/103538	8/2011

* cited by examiner



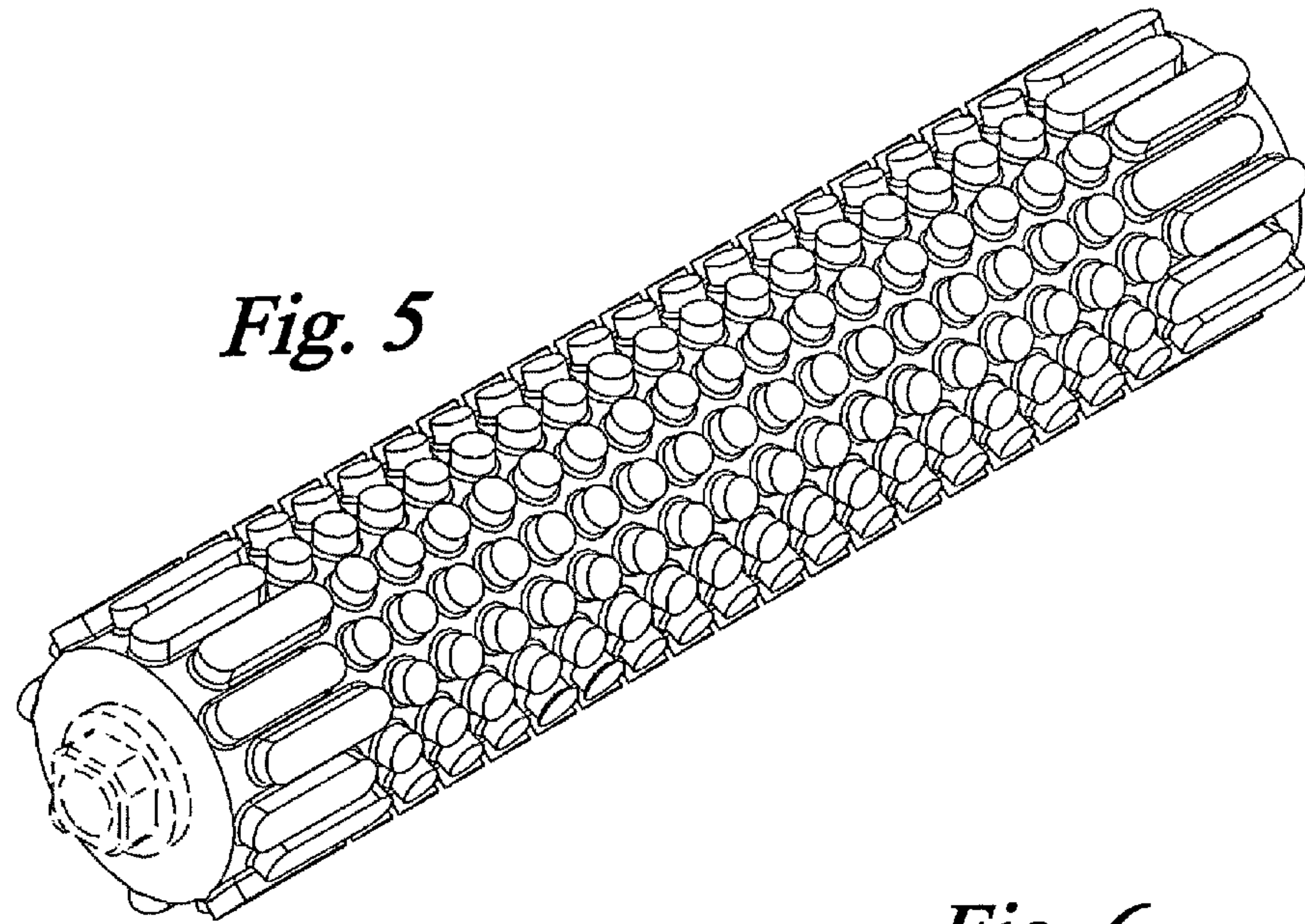


Fig. 5

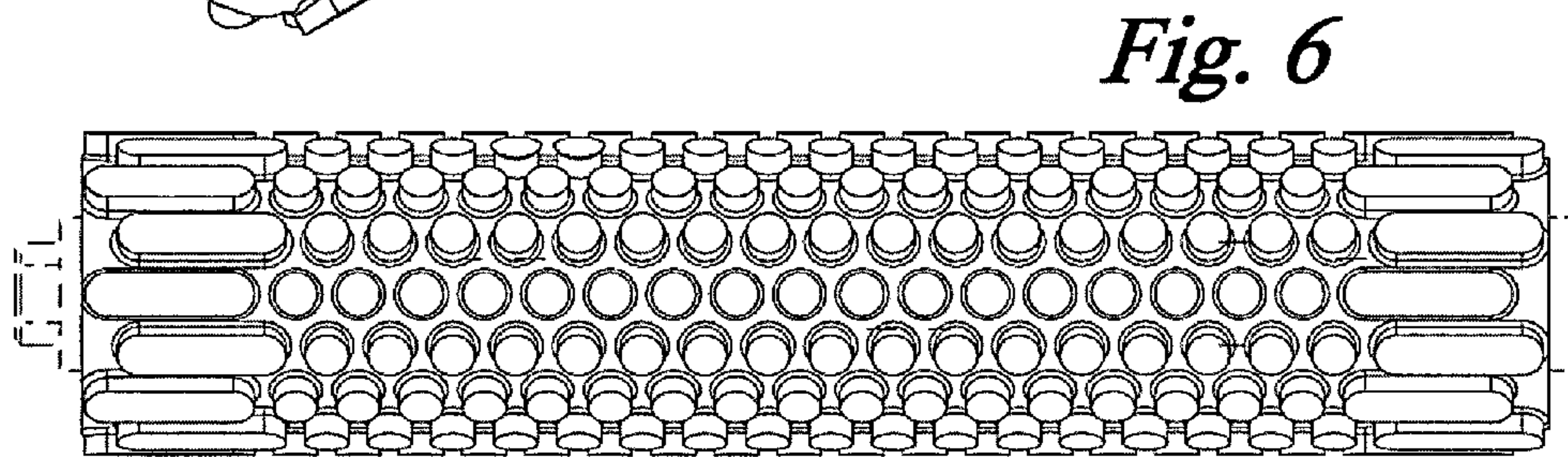


Fig. 6

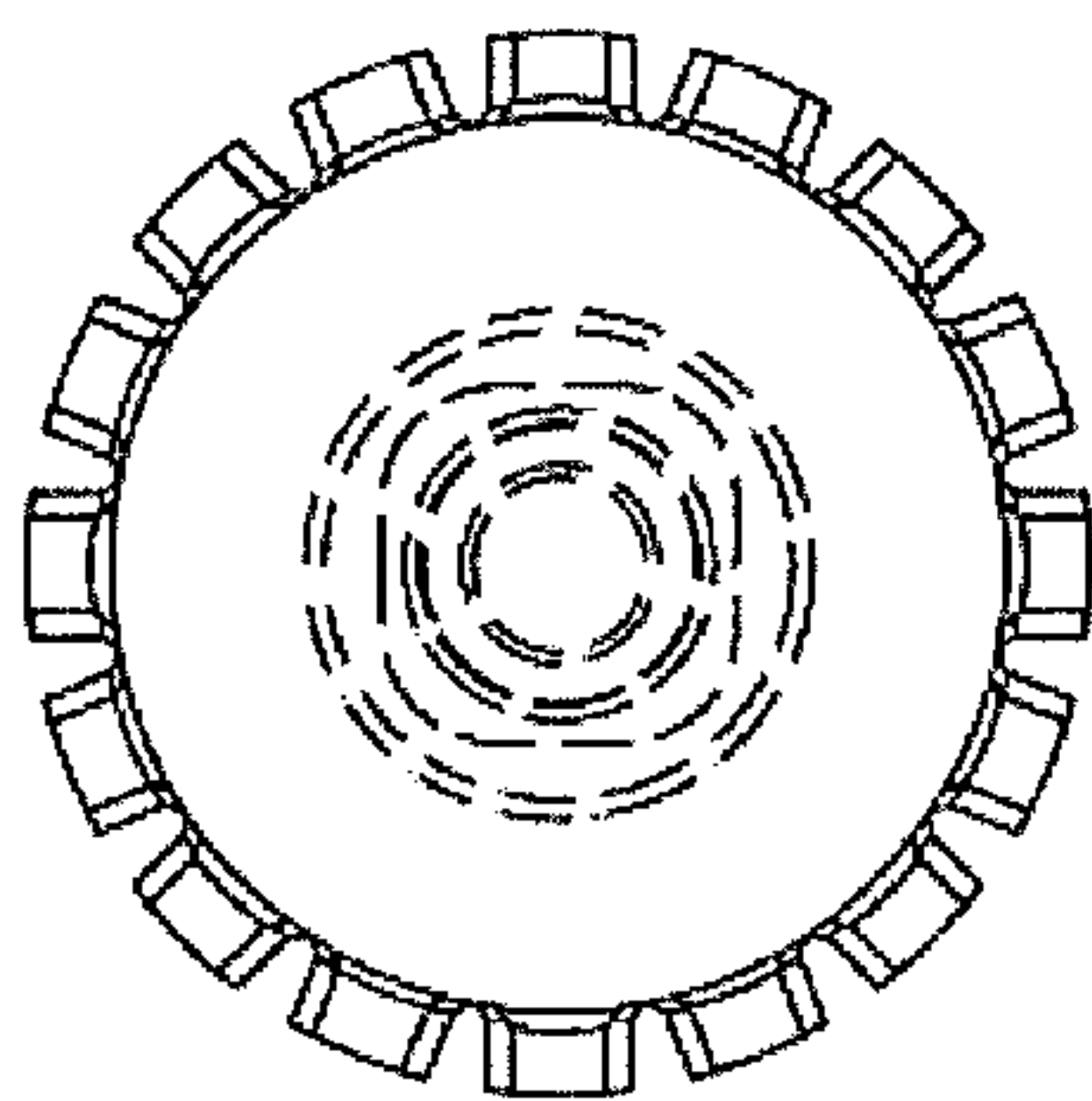


Fig. 7

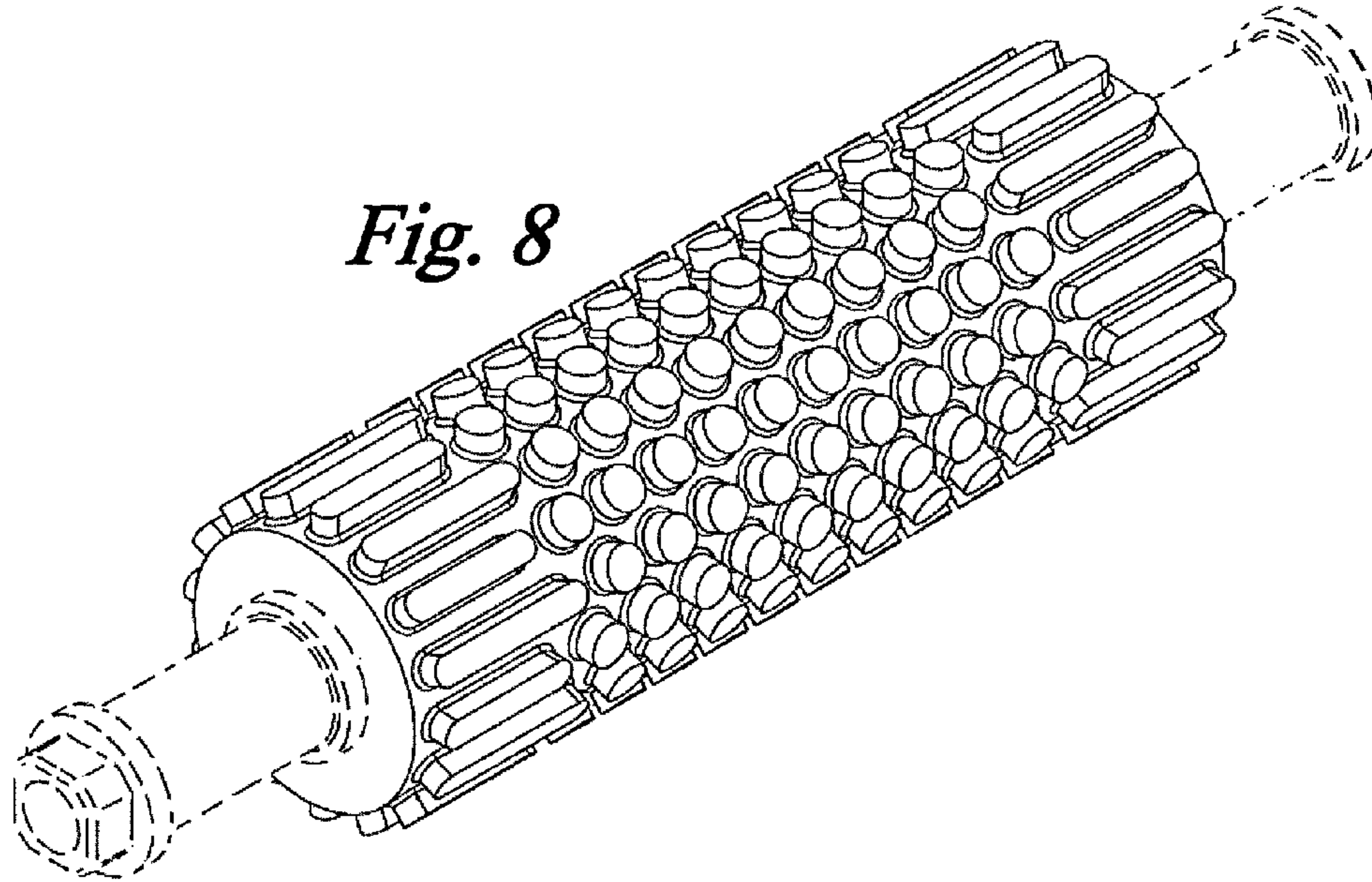


Fig. 8

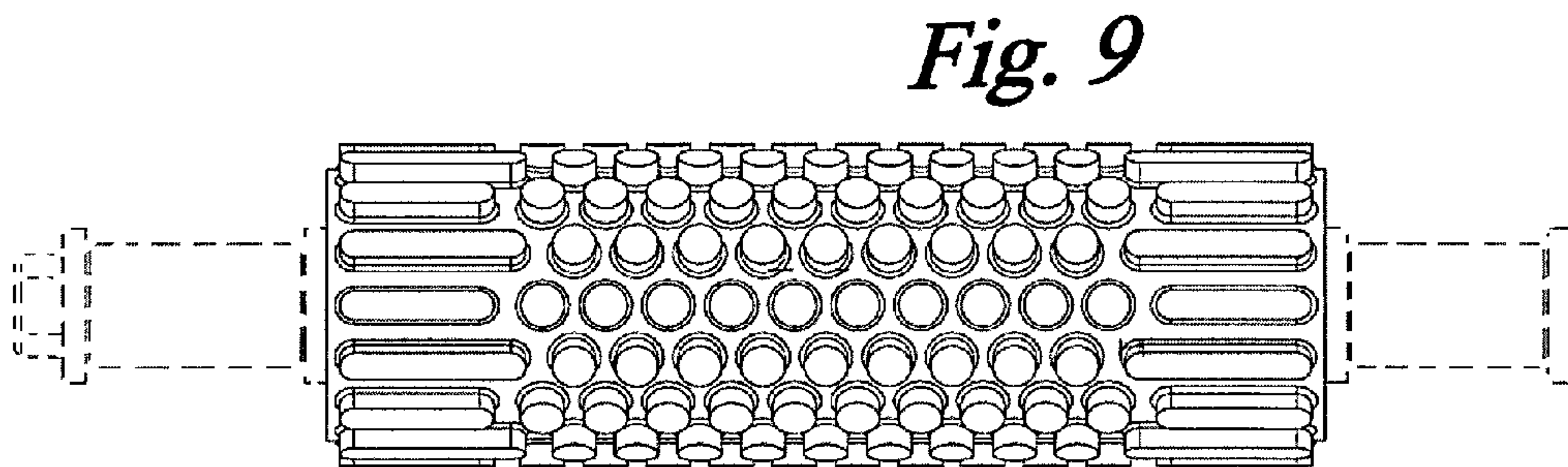


Fig. 9

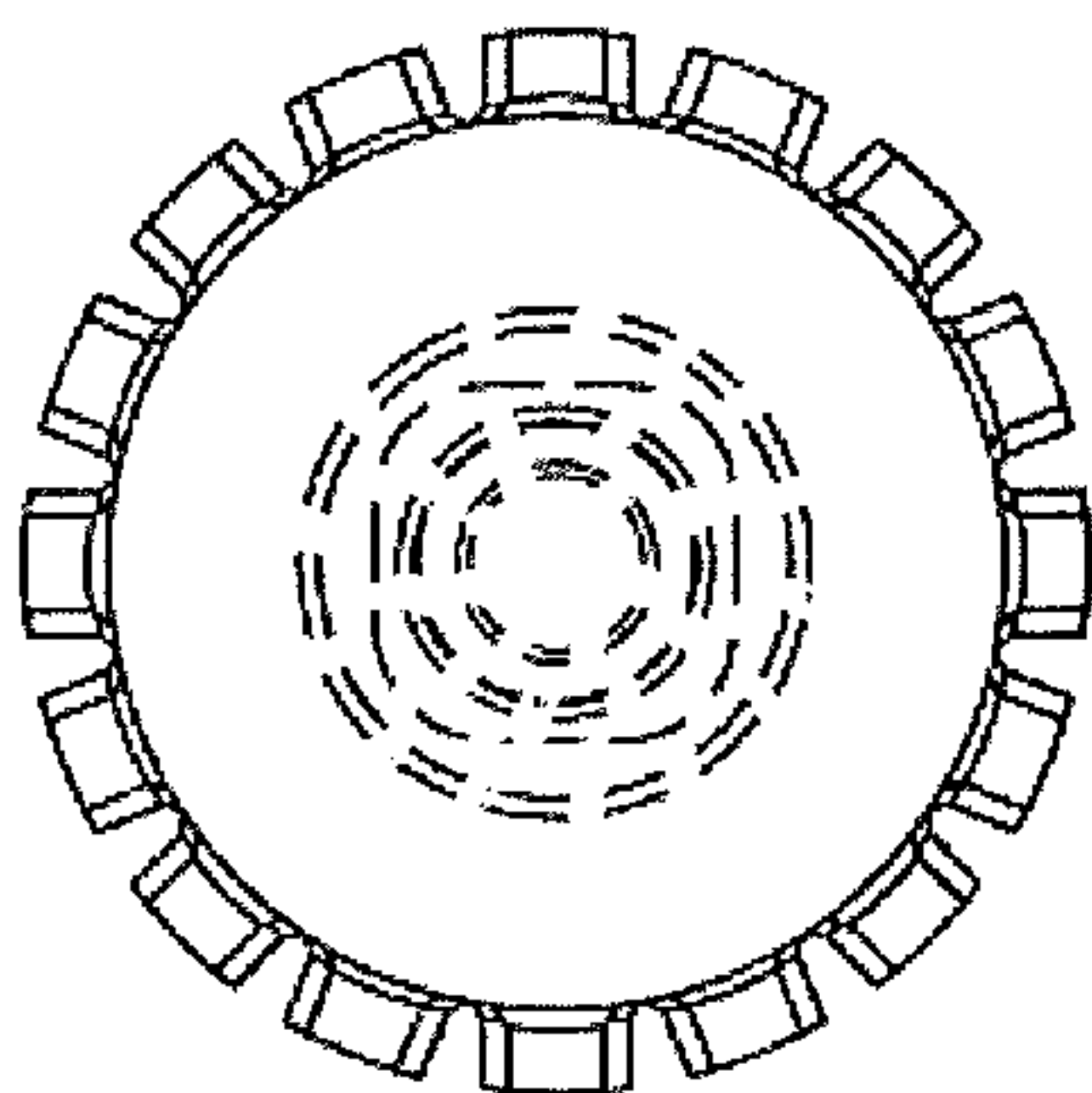


Fig. 10

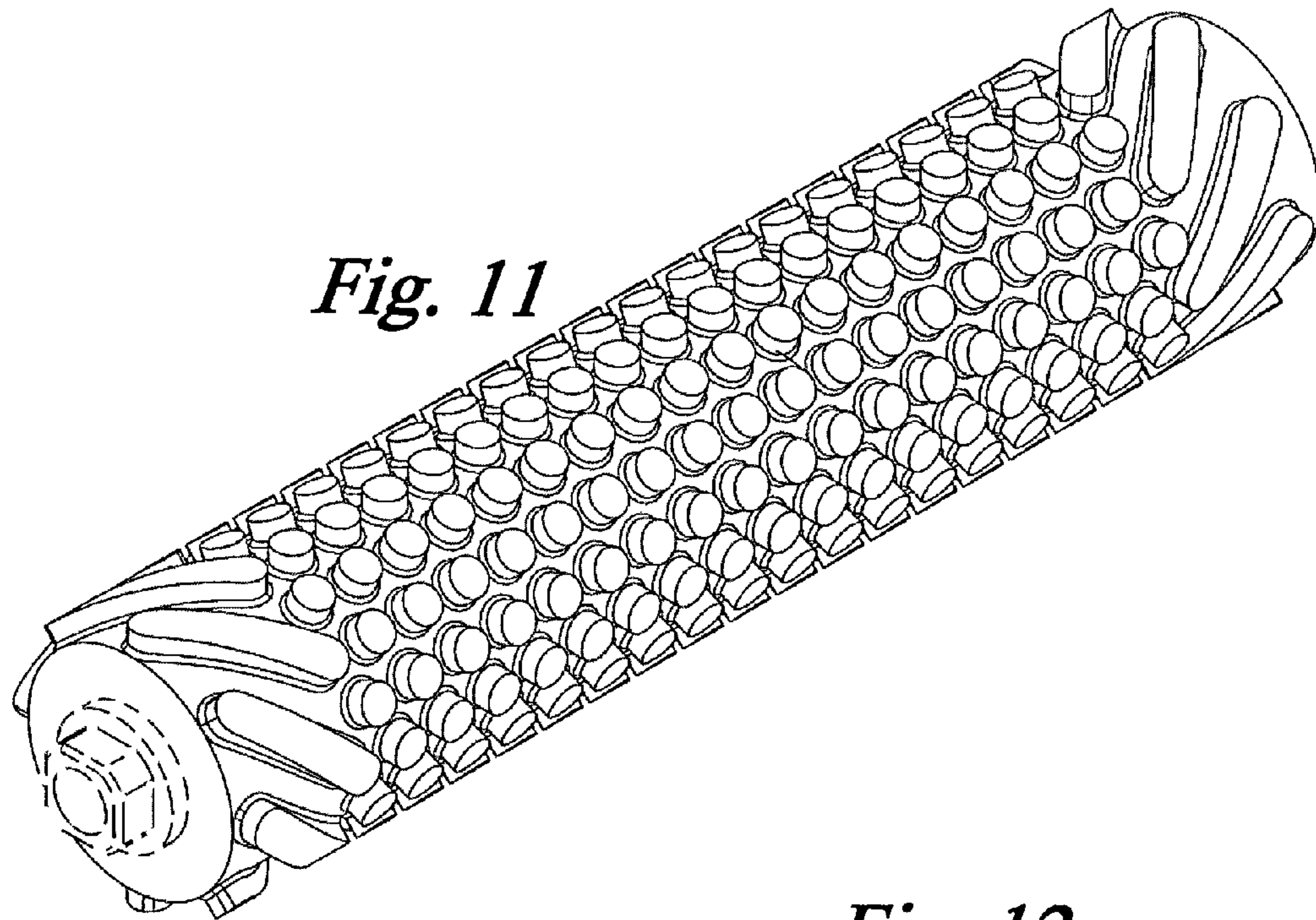


Fig. 11

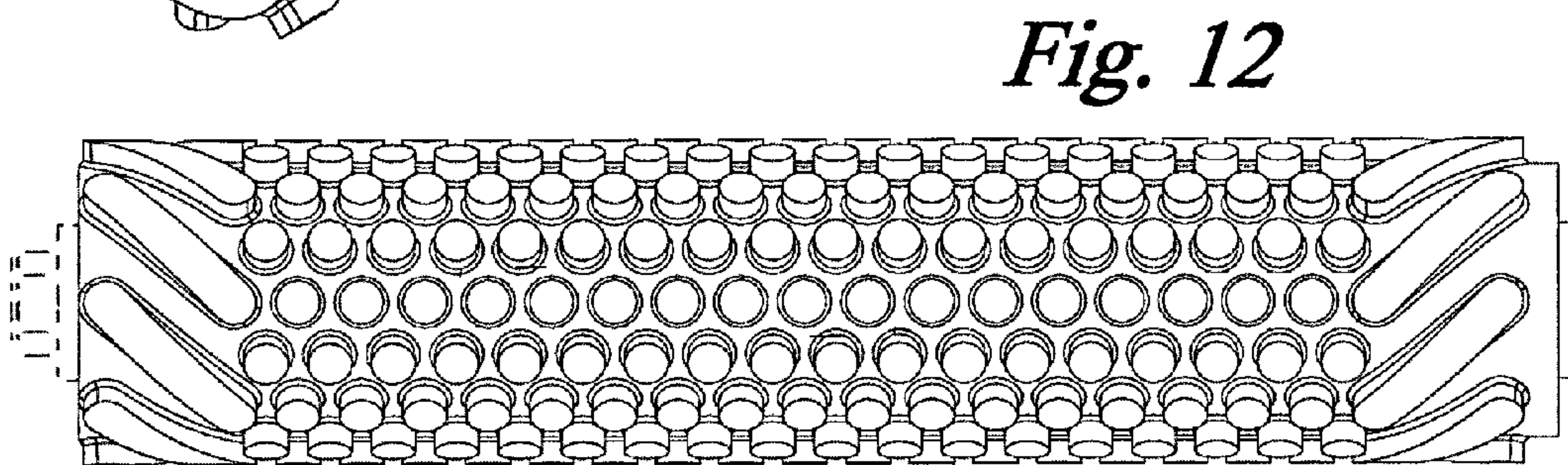


Fig. 12

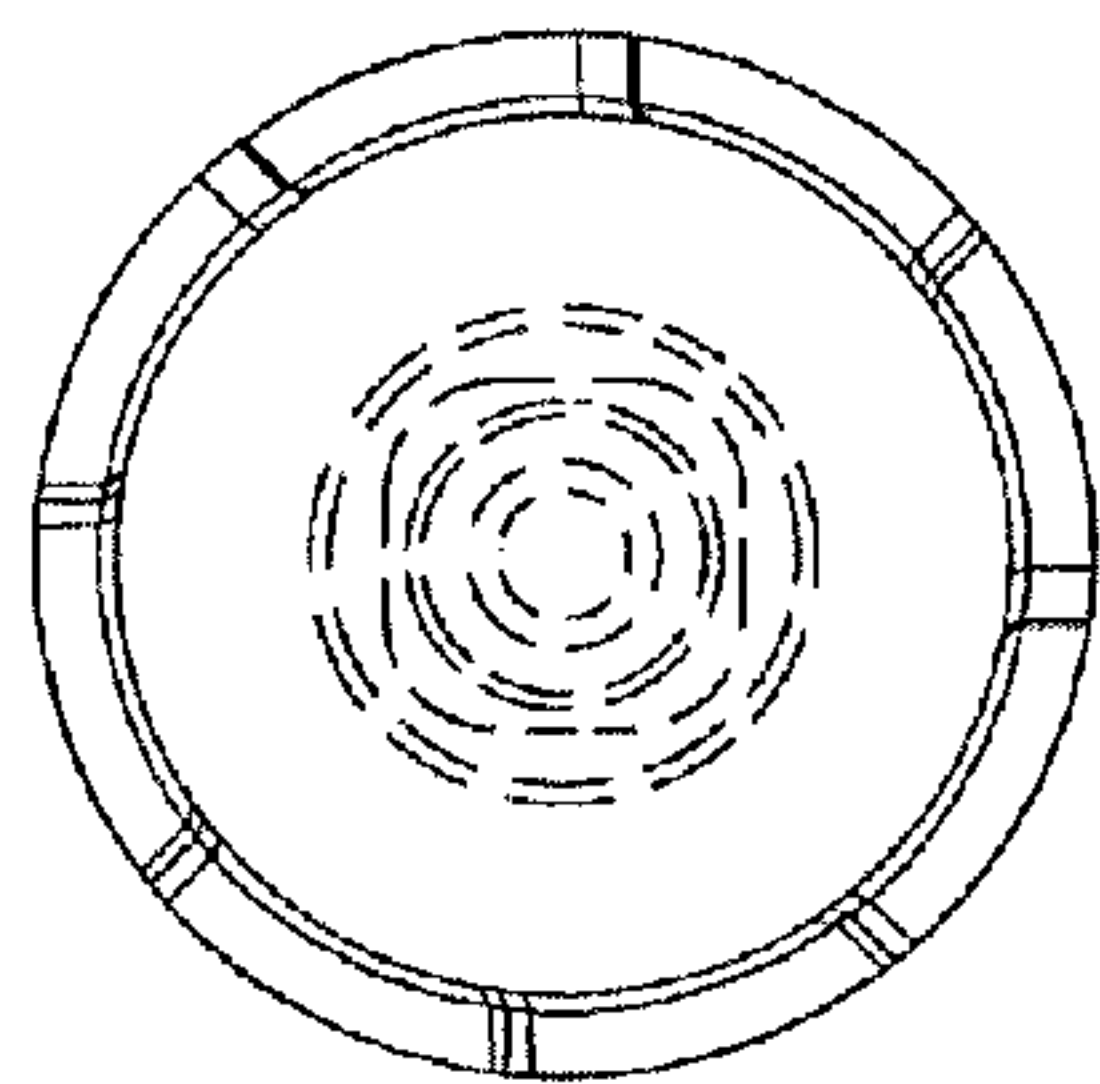


Fig. 13

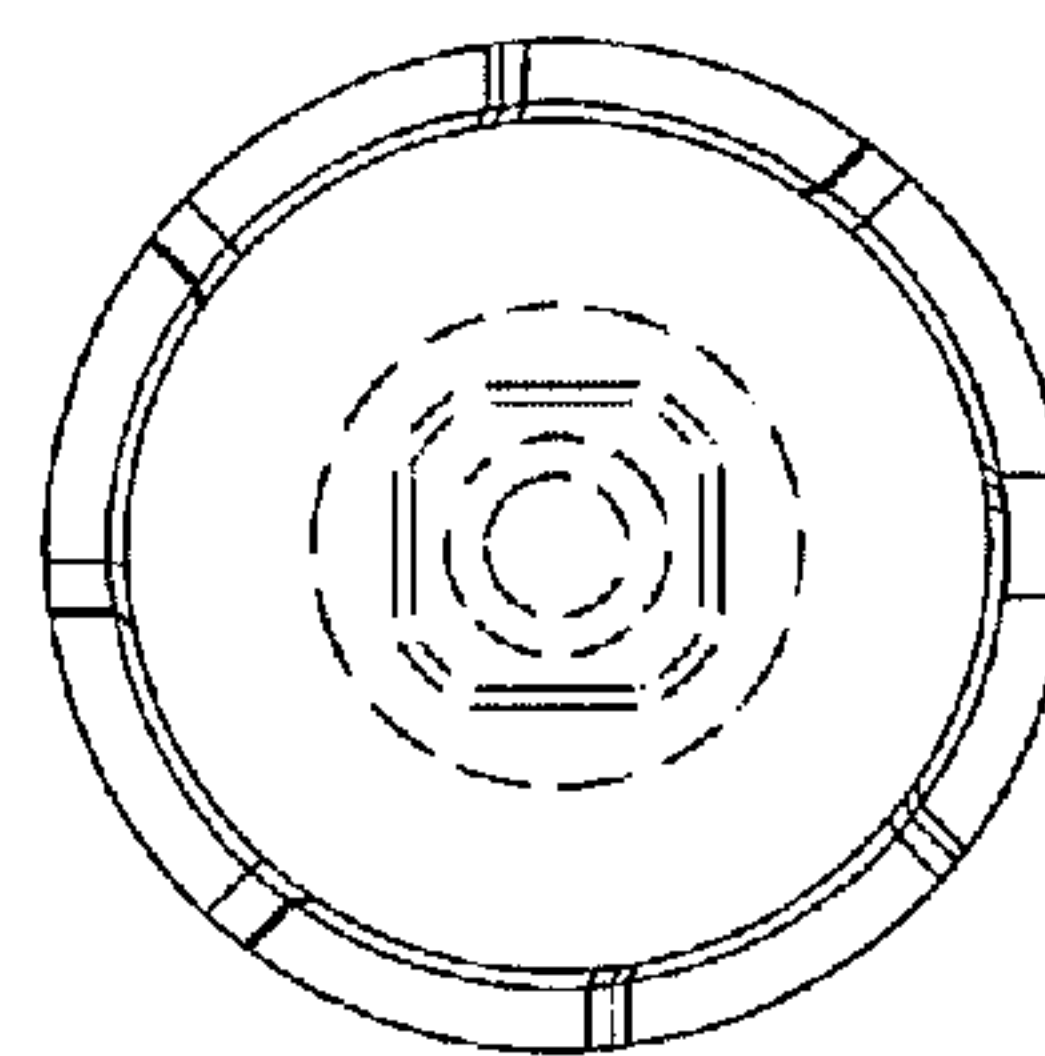


Fig. 14